



 JURALCO

JURALCO DELFINA™ AWNING SYSTEM

ISSUE 3-24 v1

Juralco Delfina™ Awning System

Juralco Aluminium Building Products Ltd designs and distributes specialist aluminium joinery systems through a national network of franchised fabricators and agents.

For more than 25 years we have been at the forefront of specialist aluminium door and window products suitable for New Zealand joinery and building methods. Our comprehensive product range includes security and insect screens, balustrades and gates, shutters and awnings, shower screens, wardrobe doors and organisers and internal doors.

The Juralco Delfina™ Awning is a compact, ready-to-install, cantilevered folding twin arm awning system designed for outside use where protection is needed from sun or light rain. All the components are made from aluminium alloy or stainless steel, all powder coated, forming a highly-resistant, lightweight, rust-proof construction. Delfina™ Awning operation is either manual or by an inline tubular electric motor, fitted with a remote control. A wide range of attractive mildew and UV resistant 100% acrylic fabrics are available, all with a 5 year guarantee. These are also semi-translucent letting through a small percentage of light.

General Description

- The Juralco Delfina™ Awning system is available as a single unit up to 5.9m wide, with a max 3.5m outward awning extension.
When shut enclosed in a weather tight box.
- Typical applications include Decks, Bars, Shops, Terraces, or anywhere needing protection from the sun, or unexpected light rain showers.
- **Standard finishes** - The Enclosing Box Powdercoated to your choice. All Internal metal parts silver.
The awning is supplied pre assembled, all necessary brackets, awning roll and necessary arm units.
- **Roller Assembly** - Roller tube axle. End Cap Mounting brackets. Additional roll supports for wide awnings.
- **Awning fabric** - Over forty styles available, all mildew, UV resistant and Scotchguard treated. All semi-translucent.
- **Drive - Manual** - A gearbox fitted to the end of the roller tube engages with a Gearbox handle to Open/shut the Awning
- **Drive - Motorised** - An inline tubular motor retracts the awning.
The motor is wired to a 3 position switch (in-off-out). With an upgraded Motor, remote wireless controls available including Wind or vibration sensors
- **Arms** - Factory set spring loaded arms evenly tension the fabric cover, and absorb movement in windy conditions. 1.5m to 3.5m projections
- **Slope** - Awning angle adjustable from straight horizontal to 45 degrees down. 15 deg Standard setting.
- **Wind** - As for all Awnings, care must be taken when installing in Wind prone areas.



All pages © Copyright Juralco Aluminium Building Products Ltd, 2024

Juralco Delfina™ Awning System - Specifications, Powder Coating

Juralco Aluminium Building Products Ltd (JABP)

Specifications for Juralco Delfina™ Awning System

1. Scope

- This specification details the documents the Juralco Delfina™ Awning System refers to in relation to the manufacturer's documents, products used in the System, requirements in relation to fixing and surface finishing.

2. Products

- Only extrusions, components and hardware supplied by or specified by JABP may be used in the Juralco Delfina™ Awning System
- Aluminium extrusions, components and hardware – unless specified are manufactured to 6060 T5 specifications
- Stainless Steel components, hardware, fixings – all components to 316 grade

3. Surface Finishing

- Juralco Aluminium Building Products Ltd is a Dulux Registered Applicator site, registration number 2101. JABP uses only Dulux branded powder coating materials
- Dulux Duralloy® powder coating systems are suitable for properties greater than 100m from high tide level AAMA 2603 performance. Residential buildings, 3 levels max. Warranty 10 yrs
- Dulux Duralloy Plus® powder coating systems are suitable for properties greater than 10m from high tide level. AAMA 2603 performance. Residential and Light commercial buildings, 3 levels max. Warranty 15 yrs
- Dulux Duratec® powder coating systems are suitable for properties greater than 10m from high tide level AAMA2603 and 2604 performance. All Residential and Commercial buildings. Warranty 25 yrs

4. Installation and Fixing

- The Juralco Delfina™ Awning System must only be installed in accordance with the Juralco Delfina™ Awning System manual
- The Juralco Delfina™ Awning System must only be fabricated/installed by a Juralco approved fabricator

Important information - Powder Coating systems.

Powdercoat Systems The new standard Dulux powder coating system used by Juralco is Duralloy Plus®. Also Duralloy® and Duratec®. All as per specs above. Juralco Powder coated prices are for Duralloy Plus® and Duralloy® (same pricing). Duratec® prices on application.

Attachment to structures A PVC Tape or similar material spacer must be used to separate powder coated aluminium items from all concrete and steel structures. Failure to do so can lead to the chemicals in the structure affecting the powder coating, leading to corrosion.


Swimming Pools The chlorinated water in swimming pools can cause the deterioration of powder coated surfaces, leading to corrosion of the underlying surface. It is recommended that Powder coated surfaces be 1200mm min from a pool.

Care The Dulux powder coating warranty period is conditional upon the surface being maintained in accordance with the Dulux 'Care and Maintenance Instructions'. Download from Dulux or refer to the back page of this manual.

Specifications for Juralco Delfina™ Awning Fabrics

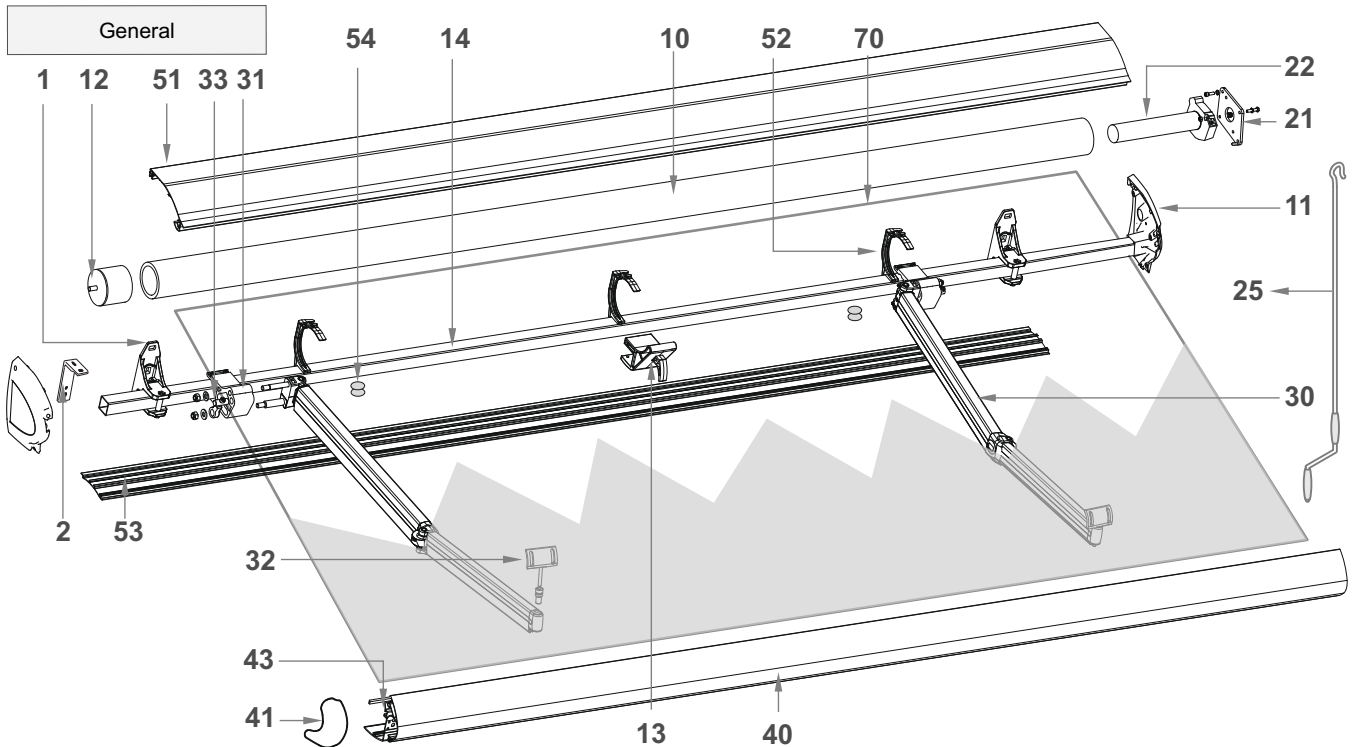
Planosol Awning Fabric. Planosol is manufactured from 100% acrylic fibre and will retain a light fastness rating of 6-8 on a 1-8 scale. Planosol is very tightly woven, with minimal light transmission, resulting in excellent UV protection. It has Ultraviolet Protection factor of 50+, maximum value granted for percentage of protection against UV ray and SPF 100. Planosol fabric will remain rot resistant for 5 years under normal exposure conditions.

Index

Heading	Pages	Description	Use the Bookmarks  List to jump to selected pages
Specifications	3	Juralco specification sheet and Powder coating recommendations	
General layout	4	Shows Layout breakdown and Part identification	
Extrusions	5	Shows Extrusions used for the Delfina	
Components	6 - 9	Shows all Components	
Electrical	10 - 11	Shows all Motors and Wireless options, and Wiring Diagrams	
Wind Speed	12	Shows Adjustments for Wind Speeds	
Awning Dimensions	13	Shows Projection/Angle/Drop and BracketsWidth	
Installation	14 - 16	Shows Installation tips	
Order Page	17	Shows Order page and options	
Building Consents	18	Shows details related to Building consents	
PowderCoat	19	Shows details and recommendations re the care of Powdercoated surfaces.	



Juralco Delfina™ Awning System - General Descriptions



Mounting Brackets, support the whole awning. Made of cast aluminium for Face fix installation. Up to 5 x needed for larger/windy situations. Add extruded aluminium brackets for 80mm dia, with a groove to fix the fabrics cover. One end equipped with the operating system. All held in place by moulded End Caps mounted to the 40mm sq bar.

Mounting bar, 40sq x 4mm wall Aluminium RHS. Held in position with a minimum of two mounting brackets.

Operation by means of a gearbox/handle, R1/7 and R1/4.4 (with limit stop) or tubular motor (with or without manual override).

Controls for the tubular motor; switch or wireless controls can be mounted alongside or at a remote location. Also available are remote wind actuated controls.

Folding arms, made of two extruded aluminium profiles connected by means of a central cast aluminium hinge. One or two tension springs (depending on the model) integrated in the back arm guarantee the automatic extension of the arm and a perfect tension of the fabrics in all positions.

The arms are linked to the Mounting Bar by means of aluminium attachments. Four different arm projections are available, between

Box Profiles, Front profile extruded aluminium with arm attach groove. Top and Bottom Profiles from extruded aluminium. Weatherproof Seals when closed.

Bottom profile clips in place as final install.

Slope adjustment; the awning can be adjusted between the horizontal and 45 deg down. Factory setting is 15 deg down.

Awning fabric Planasol Range. A selection of many fabrics in various colourways.

Awning fabrics will withstand wind, rain and pollution.

The fabrics are colour durable and resistant to most common chemicals, mildew, and UV degradation; all have a minimum five-year guarantee.

Finishes, Enclosing Box, custom Powder coated. Arms Silver.

Mounting Brackets

With Face Fix (std) and optional Soffit fix brackets

01 Face Fix bracket (Cast aluminium)

02 Soffit Bracket (Extruded aluminium)

Roller

10 Roller tube 80mm dia (Extruded aluminium)

11 Roller Mount and Box End Cap (Plastic)

12 Tube end opposite 12mm dia axis

13 Compensating cradle (Plastic)

Mounting Bar

14 40x40x4 mm RHS (Extruded Aluminium)

Operation

Gearbox. Motor, switch or remote control

20 Motor support

22 230V Nice electric motor

25 Crank (for Gearbox only)

Folding Arms

Arm in extruded aluminium profile, hardened aluminium articulation, double stainless steel cables sheath. Aluminum arm end, stainless screws.

30 Arms

31 Standard arm support (Extruded aluminium)

32 Arm attachment to Front Profile (Cast aluminium)

33 Reinforced Arm adaptor

Box Profiles

40 Front Profile (Extruded aluminium)

41 Front Profile End Cap (Plastic)

43 Front Profile Closing Seal

52 Roller Awning support (Cast Aluminium)

53 Bottom Profile (Extruded Aluminium)

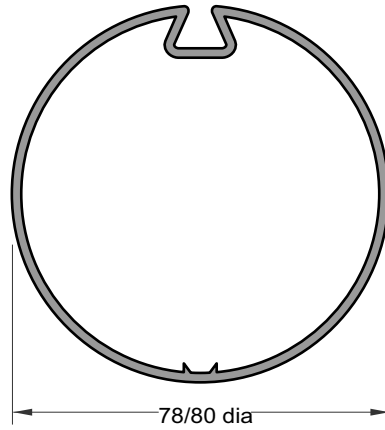
(clips in place as final install, with 54 below attached)

54 Male/Female Clip set (JOR639)

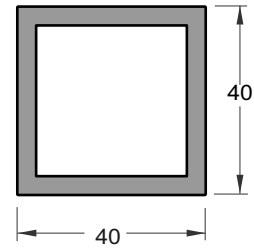
Awning Fabric

70 Acrylic canvas. Planasol Range

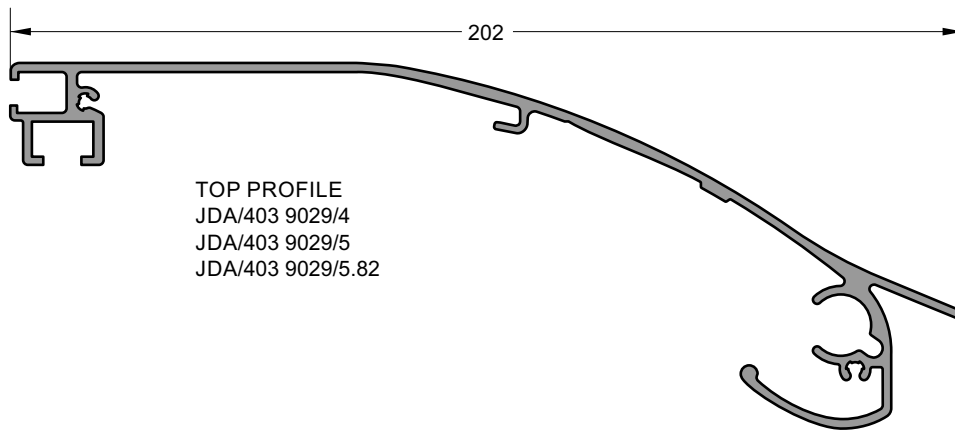
Juralco Delfina™ Awning System - Extrusions



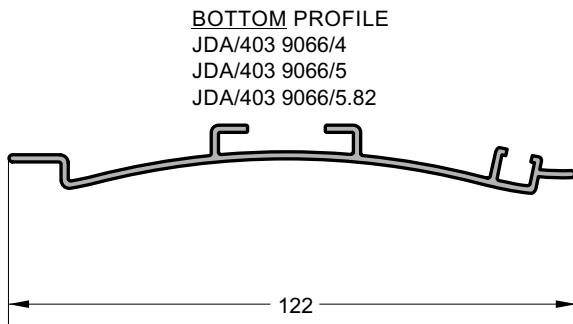
ROLLER TUBE, 78/80mm dia
JDA/110 74/4
JDA/110 74/5.82



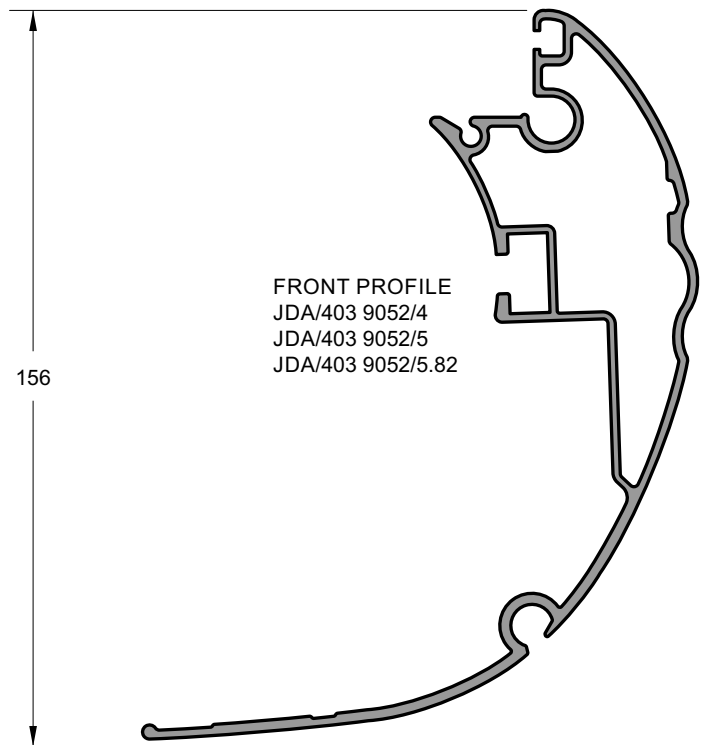
BACK BAR
JDA/110 75/4
JDA/110 75/5.92



TOP PROFILE
JDA/403 9029/4
JDA/403 9029/5
JDA/403 9029/5.82



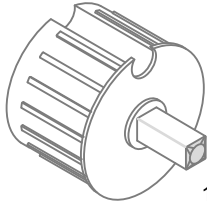
BOTTOM PROFILE
JDA/403 9066/4
JDA/403 9066/5
JDA/403 9066/5.82



FRONT PROFILE
JDA/403 9052/4
JDA/403 9052/5
JDA/403 9052/5.82

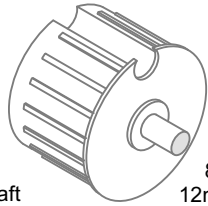
Juralco Delfina™ Awning System - Components

Roller Tube End Cap, Square
JDA/403 1325



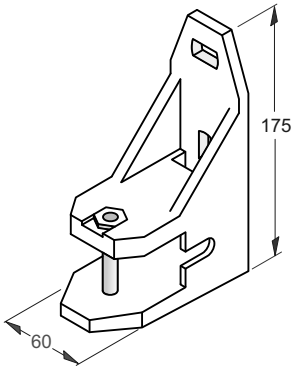
80mm dia
13mmsq shaft

Roller Tube End Cap Round
JDA/403 1326

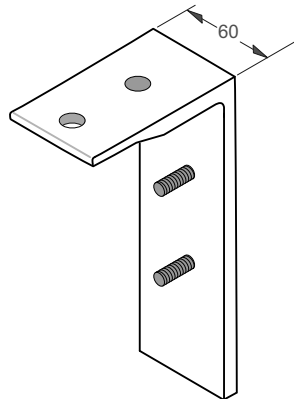


80mm dia
12mm dia shaft

Face Fix Bracket
JDA/403 1241



Ceiling Fix Bracket
JDA/403 9297



Bottom Profile Attach Clip Set
JOR639



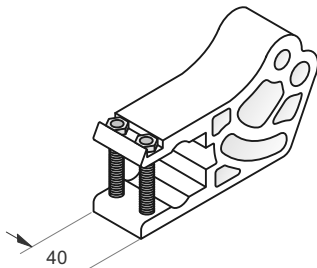
Pelmet Clip
Male



Pelmet Clip
Female

MALE + FEMALE CLIP SET
3 pairs for Widths<4699
4 pairs for Widths>4700

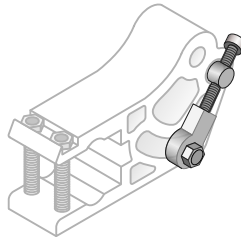
Folding Arm Bracket
JDA/403 1276



Set = 2 off

Folding Arm Reinforced Bracket
JDA/403 2825

Fits on to the Folding Arm Bracket

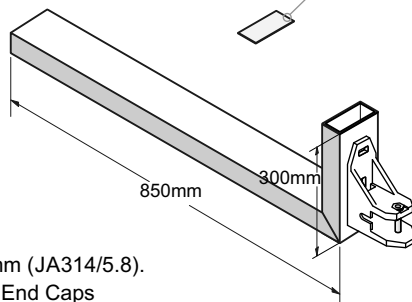


Locks the Arm Angle. Required (and Included)
for Awnings 2.5m Projection and over.
One per Arm

Soffit Fixing Bracket
JFA/SFBRKT

Face Fix brkt attaches at front

To be ordered ex factory individually
End caps - 100 x 50

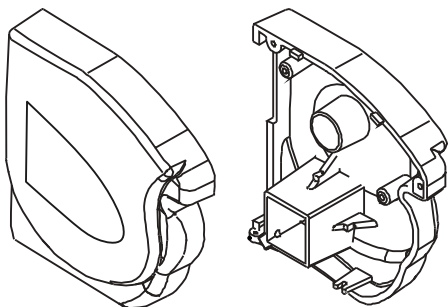


Manufactured ex 100mm x 50mm x 3mm (JA314/5.8).
Kit includes Bracket as above and 2 x End Caps

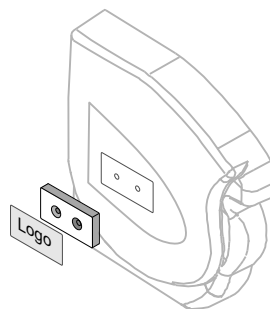
- Installer to cut down to size to suit
- Installer to drill own holes to suit
- Installer to RTV End Caps in place
- Installer to supply own Bolts/Coachscrews and JVB125 spacers if required.

Juralco Delfina™ Awning System - Components

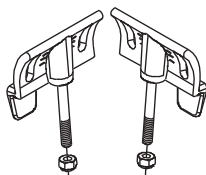
HeadBox End Caps
JDA/403 9041



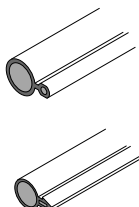
HeadBox End Caps Logo Holder
JFA/FDS/LOGOHOLDER



Front Hand Set
JDA/403 9021



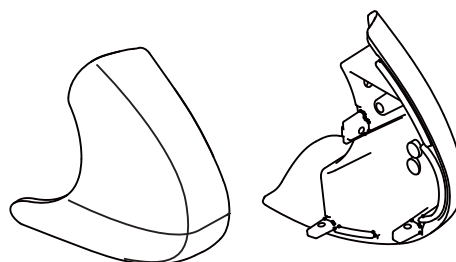
Seals



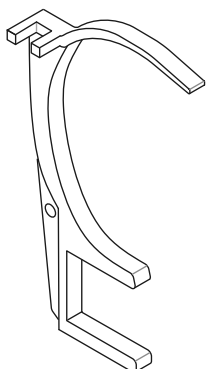
Top Board Seal
JDA/403 9089

Front Profile
Closing Seal
JPA/403 9388

Front Profile End Caps
JDA/403 9058(RAW)

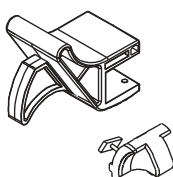


Top Profile Support Bracket
JDA/403 9035



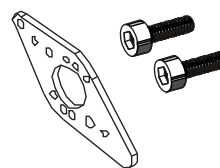
Use 2 for up to 4699mm wide
Use 3 for 4700mm and wider

Centre Support Set
JDA/403 3910



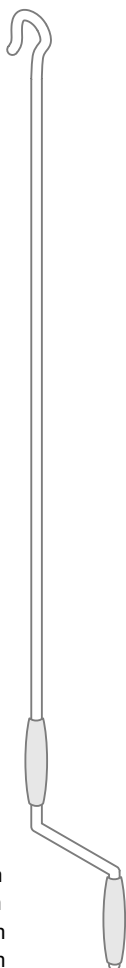
Use 3 for up to 3999mm wide
Use 4 for 4000mm and wider

Roller Tube Bracket Set
JDA/403 3798



Juralco Delfina™ Awning System - Components

Gearbox Handle

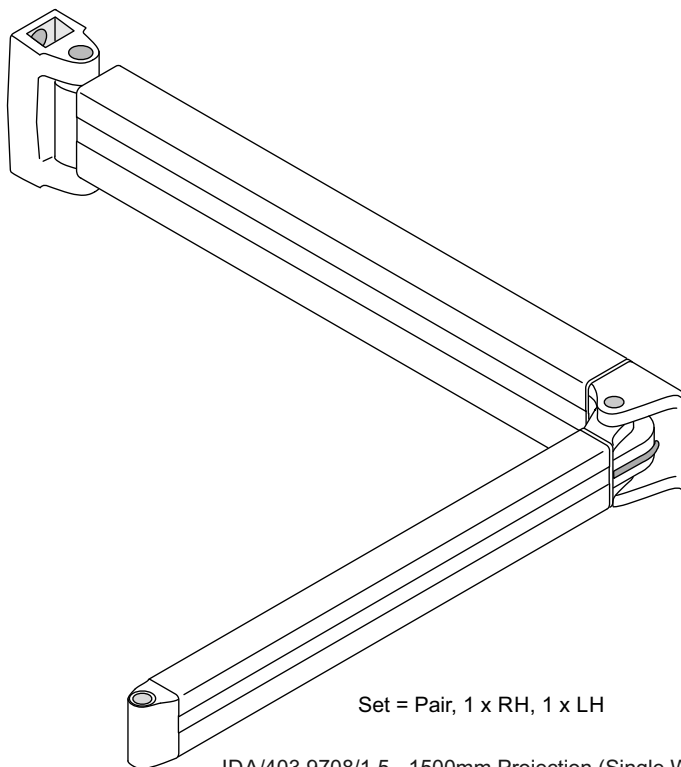


Gearbox Handle Clip
JDA 4026500



JDA/403 0431 - 1200mm
JDA/403 0592 - 1400mm
JDA/403 0593 - 1600mm
JDA/403 0595 - 2000mm

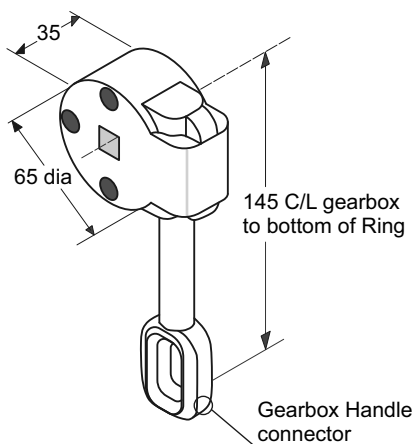
Folding Arms



Set = Pair, 1 x RH, 1 x LH

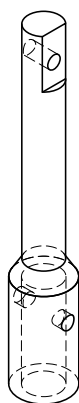
JDA/403 9708/1.5 - 1500mm Projection (Single Wire)
JDA/403 9716/2.0 - 2000mm Projection (Single Wire)
JDA/403 9720/2.5 - 2500mm Projection (Double Wire)
JDA/403 9724/3.0 - 3000mm Projection (Double Wire)
JDA/403 9728/3.5 - 3500mm Projection (Double Wire)

Manual Gearbox 1:9
JDA/4032424



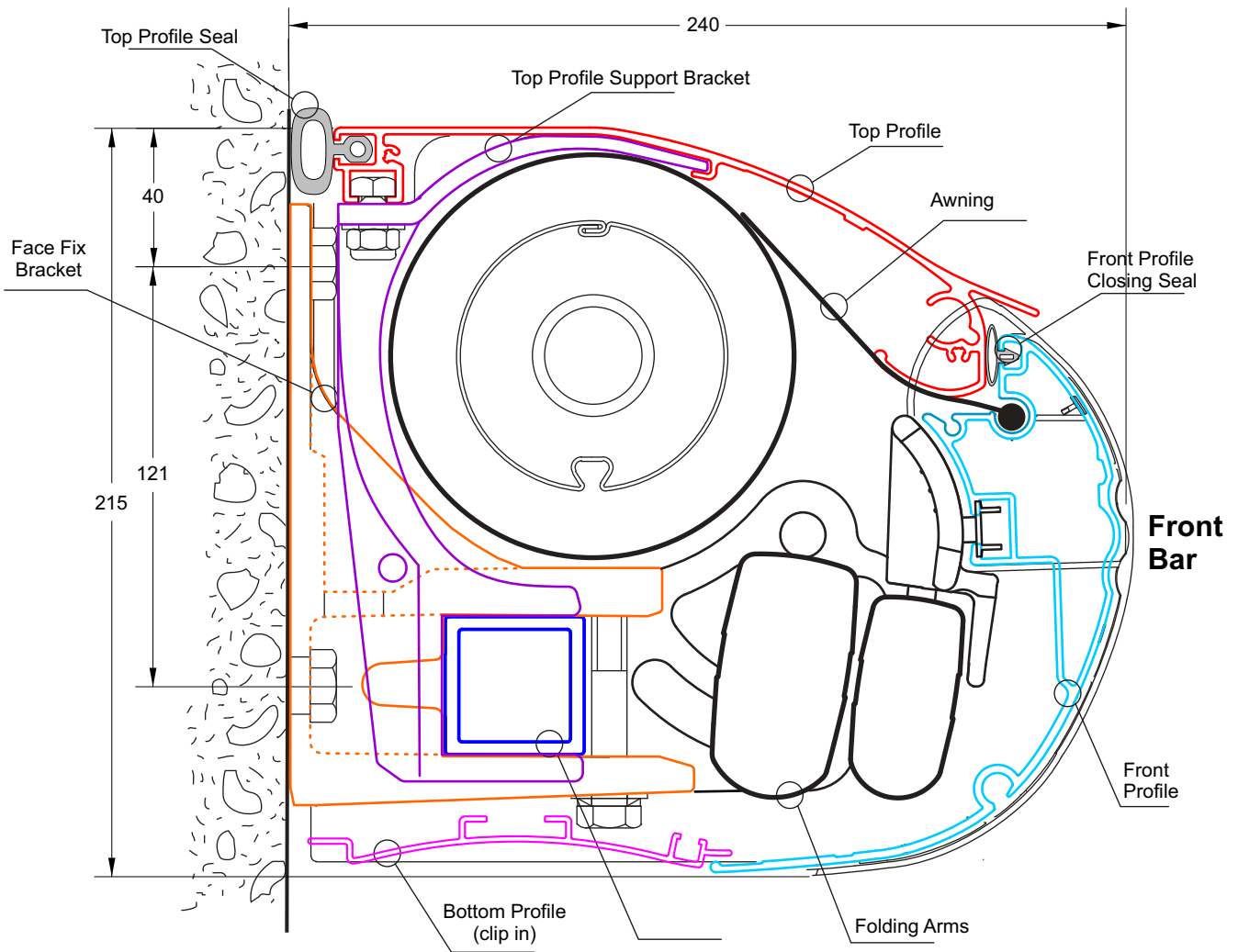
Gear Ratio 1:9
Incorporates a Limit Stop

Gearbox Handle connector Extension
JDA/4032425



100 high x 16 dia

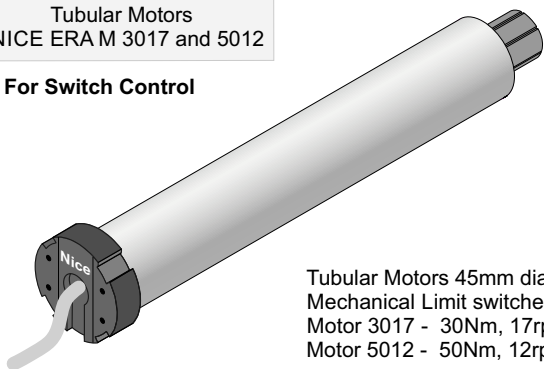
Juralco Delfina™ Awning System - Face Fix, Closed



Juralco Delfina™ Awning System - In Line Motors and Controls

Tubular Motors
JNICE ERA M 3017 and 5012

For Switch Control



Tubular Motors 45mm dia
Mechanical Limit switches
Motor 3017 - 30Nm, 17rpm
Motor 5012 - 50Nm, 12rpm

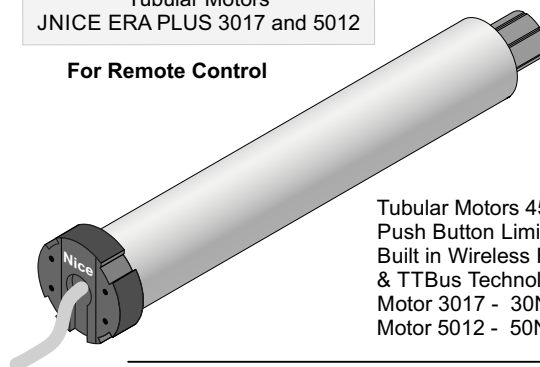
POWER CABLE

Length 2.5 m, 4 wires in cable



Tubular Motors
JNICE ERA PLUS 3017 and 5012

For Remote Control



Tubular Motors 45mm dia
Push Button Limit switches
Built in Wireless Receiver
& TTBus Technology
Motor 3017 - 30Nm, 17rpm
Motor 5012 - 50Nm, 12rpm

POWER CABLE

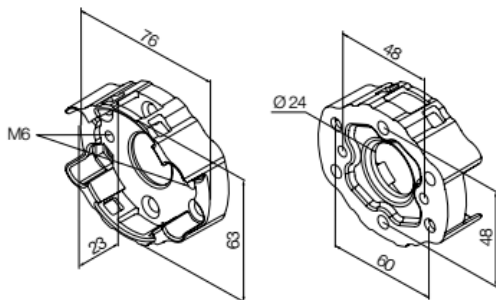
Cable length 2.5 m, 6 wires in cable



These wires must be isolated if not being used

Motor Mount Brackets
JNICE/BRKT/ERAM

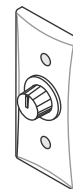
For 45mm dia Motors
Compact aluminium support. 2 x holes M6 at 48 and 60mm CL



Manual Controls
Switch Controls

Wall Controls

3 position Rotary Wall Switch
Up - Off - Close
Cover Plate - SSW 770 CPSM
Switch - SSW 770 RSB



Wireless
Remote Controls

Wireless Receiver

JNICE/BIDIAWNING. Nice controller for Wireless operation. Can be added to Switch operation and Manual override Motors to make for wireless control



Drive Wheel and Crown
JNICE/45ROUND78



Wireless
Remote Controls

Portable Wireless Transmitters



P1 P6 P18

- P1 Portable transmitter to control 1 electrical load system or automation group
- P6 Portable transmitter to control 6 electrical load systems or automation groups for activation in single or multigroup mode
- P18 Portable transmitter to control 18 electrical load systems or automation groups for activation in single or multigroup mode

Motor Remote Control Sensors

Wind Sensor threshold has 3 wind speed settings 15, 30, 45 Kph



JNICE/WIND/S
Volo Wind Sensor

NEMO VIBE does not require any additional connections because it is battery powered. It screw attaches to the front of the awning. During windy conditions, a signal (adjustable) is sent via radio sensor to the motor mounted in the awning, which then retracts the awning.



JNICE/NEMOVIBE
Vibration Sensor

Juralco Delfina™ Awning System - In Line Motors and Controls

Manual Control

HPM Rotary
Switch Controls

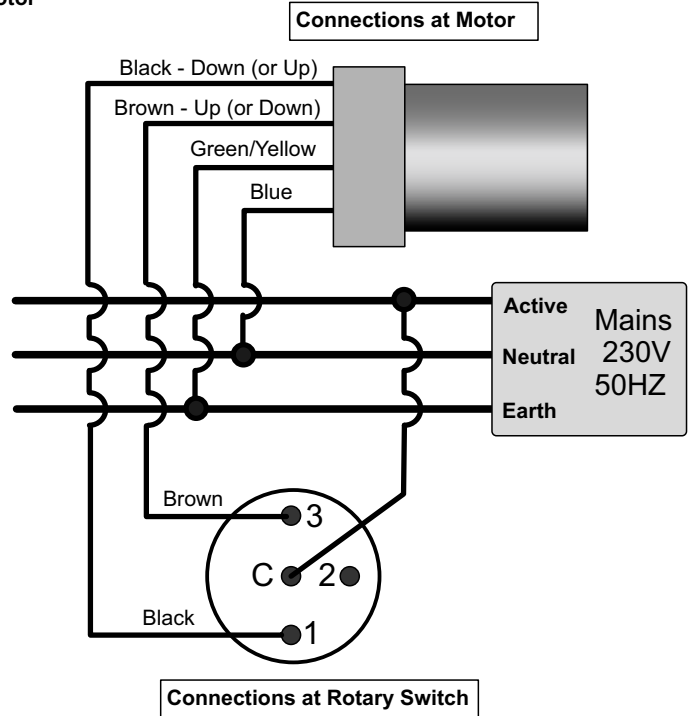


One switch per Single Motor only.
Use relays if more than single Motor
Motor fully tested
and Limits set at factory

Tubular Motors
JNICE ERA M 3017 and 5012

Motor Power Cable

Length 2.5 m, 4 wires in cable



Remote Control

Wireless Controls
TTBus

Volo Wind Sensor 15kph Limit set at factory
(set limits available 5,10,15,30,45kph)
Motor fully tested
and Limits set at factory

Wireless Remote Control

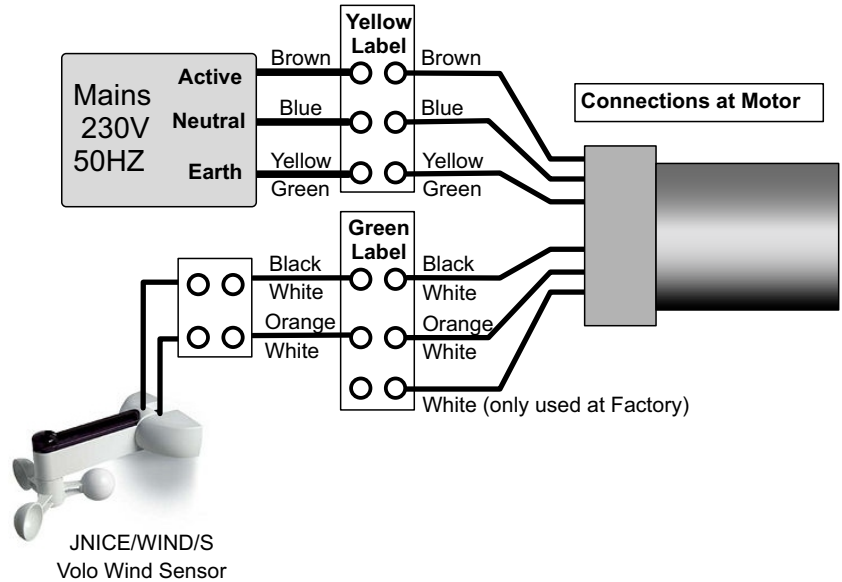
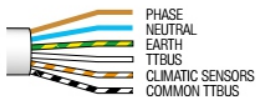
Portable Wireless Transmitters



P1 P6 P18

Motor Power Cable

Cable length 2.5 m, 6 wires in cable



Wind Speed Adjustment - Awning Retraction settings

At the factory, the intervention threshold is set at level 3 and to change it you must take the following steps

01. Keep the **n** key pressed and wait for the motor to perform 2 movements. Upon completion, release the key.
02. Keep the **t** key pressed and wait for the motor to perform 3 movements. Upon completion, release the key.
03. Briefly press the **s** key a few times, depending on the level you want to set for wind threshold.

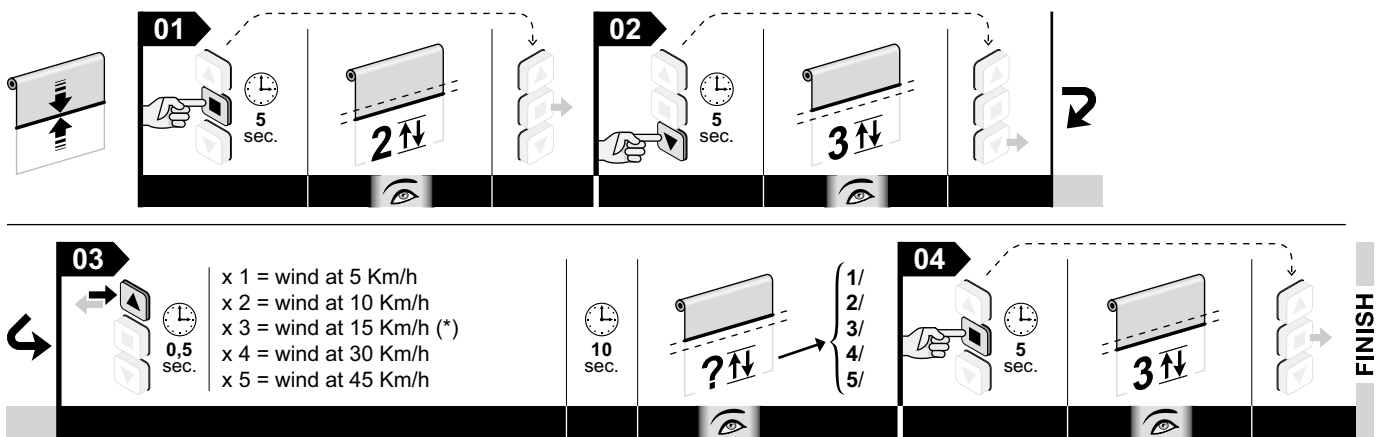
- 1 press = wind, 5 km/h
- 2 presses = wind, 10 km/h
- 3 presses = wind, 15 km/h (factory settings)*
- 4 presses = wind, 30 km/h
- 5 presses = wind, 45 km/h

After about 10 seconds, the motor performs the number of movements indicated by the level number selected

Note – If this does not occur, cancel the procedure.

This way, the adjustment is completed without changing the factory setting.

04. Keep the **n** key pressed and wait for the motor to perform 3 movements. Upon completion, release the key.



Notes.

- When performing the procedure, you can cancel it at any time by keeping the **n** and **t** keys pressed simultaneously for 4 seconds.
- Otherwise, do not press any key and wait 60 seconds for the motor to perform 6 movements.
- If you use a sensor equipped with a “trimmer”, you must read the sensor instructions and adjust the threshold directly on the sensor.

Juralco Delfina™ Awning System - Measuring, Brackets

Measuring

Awning on site Check List:

- 1 - Check the desired width and installation area, making sure there are no obstructions.
- 2 - Check that the desired number of wall/ceiling attach brackets all have secure fixing points.
Note - the maximum separation of a fixing bracket and the folding arm bracket is 150mm.
- 3 - Check the desired projection and angle, making sure there are no obstructions. Standard horizontal to 45deg down. Factory setting 15 deg down.
- 4 - Check the desired awning material.
- 5 - Check the desired method of operation.
Manual, choice of 2 x gearboxes.
Std Motor, switch operation
Premium Motor, wireless operation
and optional extra sensors - wind or vibration

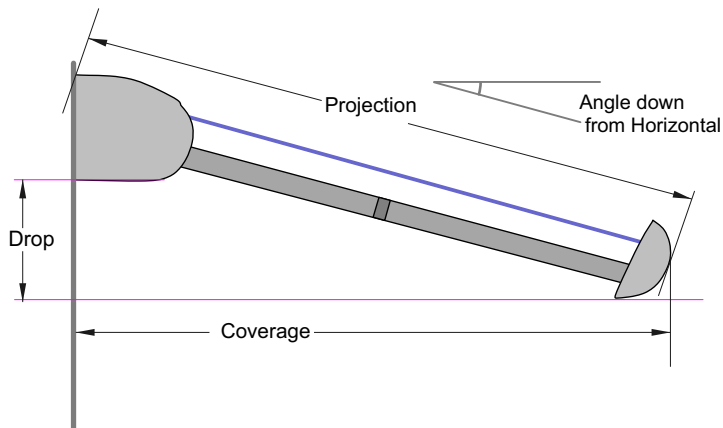


Table showing Drop for various angles and Projections

	Angle deg	Projection, mm				
		2000	2250	2500	2750	3000
	10	347	391	434	477	521
Factory	15	518	582	647	712	776
	20	684	770	855	941	1026
	25	845	951	1057	1162	1268
	30	1000	1125	1250	1375	1500
	35	1147	1291	1434	1577	1721
	40	1296	1458	1621	1783	1945
	45	1414	1591	1768	1945	2121

Note - at 45 deg, Coverage = Drop

Table showing Projections and Widths

Arm	Projection, mm		Width mm	
	Max	Min	Min	Max
1500	1500	2000	5960	
2000	2000	2500		
2500	2500	3000		
3000	3000	3600		
3500	3500	4100		

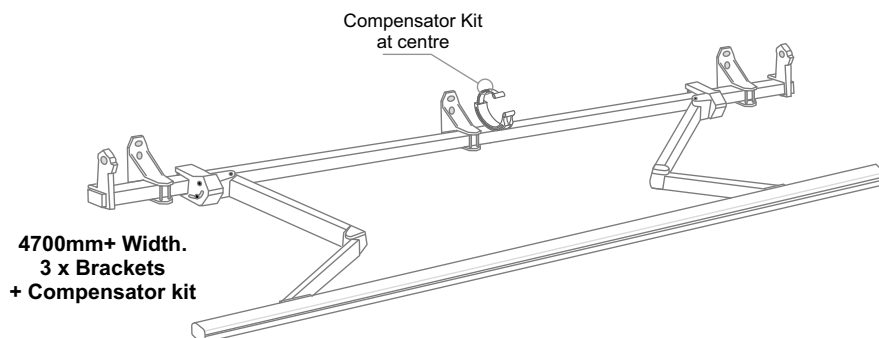
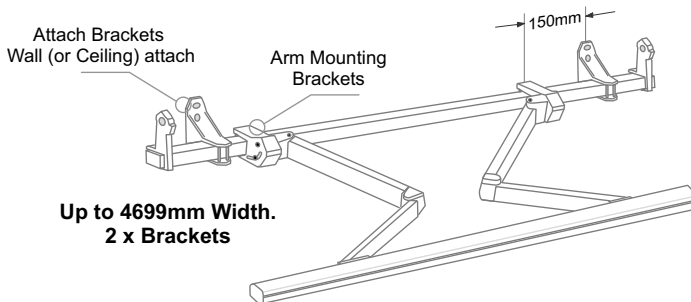
Bracket Numbers

Depending on width and projection attach brackets numbers and Compensator will differ.

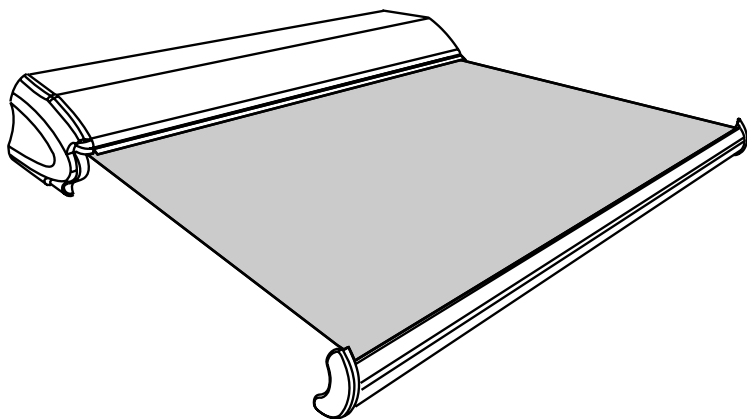
Width	Projection Max
2380 to 4699	3000
= 2 x Brackets	
4700 to 5920	3000
= 3 x Brackets + Compensator	

Bracket Position

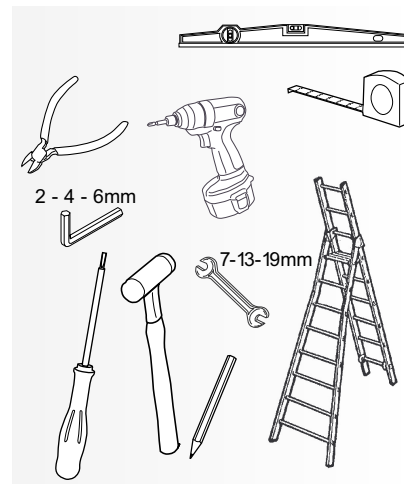
As shown the maximum separation of Mounting Bracket (Wall or Face) and the Arm Mounting Bracket in any system 150mm.



Juralco Delfina™ Awning System - Installation



**Juralco Delfina™ Awning System
For Wall or Soffit mounting**



**Juralco Delfina™ Awning System
Tools needed**

- 1 - Use of the automatic wind system is strongly recommended. Adjust the Awning folding threshold, as indicated on the User manual.
- 2 - Recommendations for installing the Awning:
 - The products must be installed in accordance with DTU 34.4 (available from AFNOR).
 - The Awning must be placed on a facade, a roof return or a balcony. It must not be placed on a free structure.
 - The winding tube must be perfectly horizontal.
 - It is forbidden to modify the awning, to make holes in it not provided for in the installation instructions and to fix a screw, a rivet or any other fixing element, on an area of the product not intended for this purpose. Strictly observe what is described on the product installation instructions. Non compliance may cause premature degradation of the product or malfunction which will not be supported by Juralco
- 3 - Conditions to be able to carry out product maintenance and after-sales service:
 - Provide as far as possible easy access to the Awning. In the case of installation of a product at height, provide access passageways or a cradle available permanently without the need to set up scaffolding or a lifting platform.
 - The peripheral covering around the product must not prevent easy access to the product, when opening and removing it.
- 4 - Fixing of the Awning:
 - Taking into account the diversity of the supports (brick, concrete block, ...) and their difficulty of identification, you must observe precautions particular during installation, in order to use the plug and the M12 threaded rod appropriate to the nature of the support. Be careful not to set an Awning too near a wall corner to prevent the support from bursting during fixing or during loads to be supported. Ask your dealer for advice.
 - In the case of installation on insulation from the outside, check the conformity of installation according to DTU 34.4 then, if compatible, use fasteners specific products developed for exterior insulation that are fixed to the load-bearing wall (brick, concrete block, concrete, etc.). These are often equipped of a thermal break system. Ask your dealer for advice. Be careful not to apply pressure on the wall exterior and ensure a perfect seal between the fasteners and the exterior wall using a UV resistant silicone cartridge, to prevent air and water leakage into the lining.
 - Preferably use stainless steel rods, which are more durable over time, especially in corrosive environments (seaside, etc.)
 - Prefer, as far as possible, the installation on a concrete Wall.
 - If the support is brick or a crumbly stone, be careful not to use percussion when drilling the holes so as not to weaken the wall.
 - In the case of laying on hollow materials (concrete block, bricks, etc.), these must be plastered or coated with beforehand in order to increase the holding power. Use specific chemical anchors allowing you the widest grip possible behind the first wall.
 - Insert the rod with its nut using the awning installation support as a template. Do not let the threaded rod protrude more than 2mm in front of the nut. In the case of chemical seals, allow the resin to set for the time indicated on the cartridge and fix the supports by tightening the nuts by a hand tool.

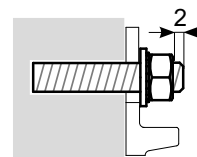
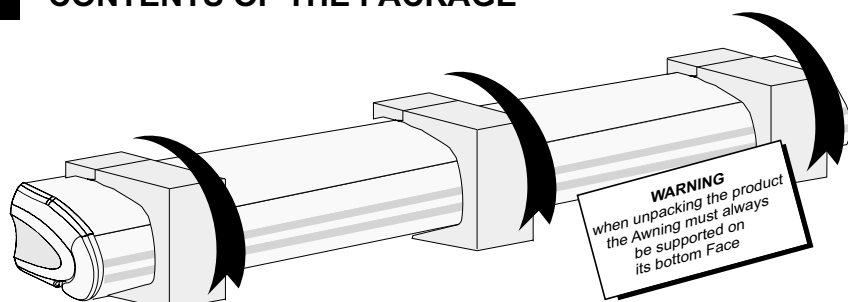


Table of the maximum forces applied to each fixing pin: Fc (fyi, 1daN ≈ 1kg). Make sure that the tensile load Fr of the wall complies with the condition Fr ≥ 2*Fc.	Awning Width (m)	Width to 4.78m	4.785 to 11.82m
	Face Fix		800 daN
Soffit Fix		1100 daN	1100 daN

1 CONTENTS OF THE PACKAGE

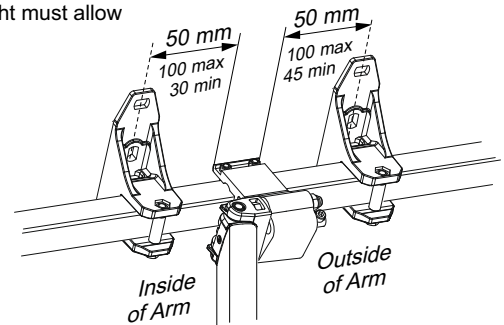


For a 4-arm awning, the Awning is delivered in several separate packages

Face Fix	Soffit Fix
Compensators	

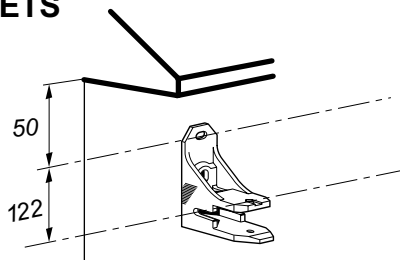
2 PREPARATION

- 1 - Place your awning in position at the foot of the installation location. The installation height must allow a passage under the load bar of 1800 mm minimum (2100 mm recommended.)
The ideal slope is 300 mm per meter of fall
- 2 - Set up a level string simulating the final position of the Awning
- 3 - Temporarily position the Mounting Brackets on the 40mm sq square tube, at the maximum distances from the arms as shown.
- 4 - Measure the respective position of the Mounting Brackets in order to transfer these dimensions to the wall.

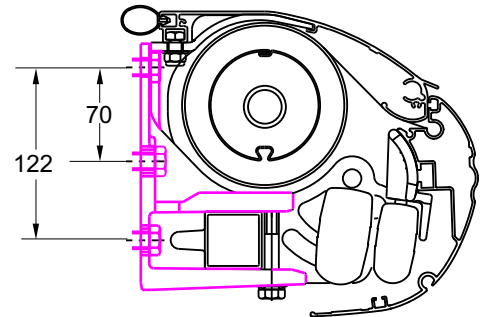


3 FIXING MOUNTING BRACKETS

- 1 - Position the Brackets on the same axis, at least 50 mm from a roof return.



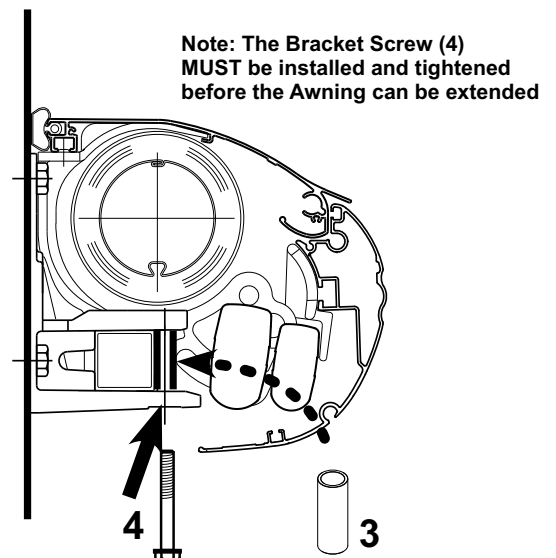
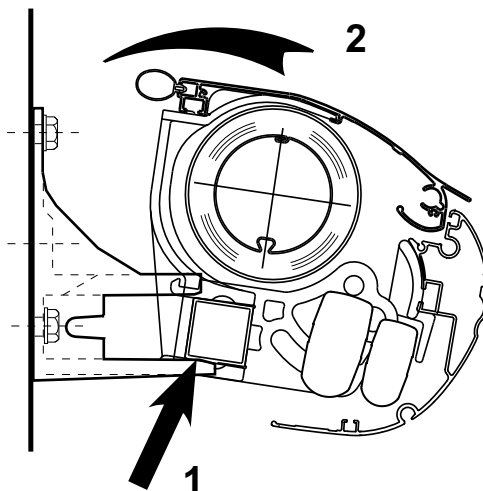
- 2 - Mark the 122 mm center distance, drill. Then attach the brackets and shims if necessary.
Before complete tightening, check the vertical position of the supports and shims, playing with the latitude allowed by the oblong holes.
It is imperative to use M12 screws in the 2 outer holes (122 mm apart)
Use the other hole in the center if needed



Warning - Awning with Soffit: do not mount the Soffit brackets immediately.

4 ASSEMBLE TO WALL

- 1 - Present your awning to the front of the Mounting Brackets
Rest the bottom side of the 40mm sq square tube on the bottom lip of the Mounting Bracket (1)
- 2 - Engage the Awning assembly by rotating it and pushing it home (2).
- 3 - With reinforced arm support, insert a spacer (delivered separately in the package) through the screw into the support on the square tube.
The spacer (3) makes it possible to limit the play between the tube and the screw and to prevent the latter from deformation.
- 4 - Install the hardware on each Mounting Bracket. Tighten the screw (4)

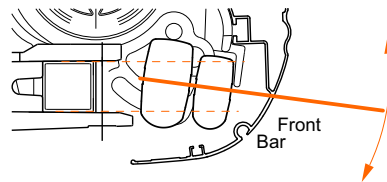
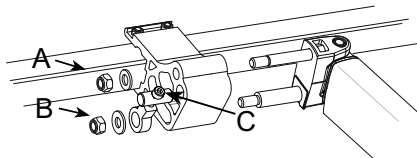


5 SPECIAL ADJUSTMENTS AND RECOMMENDATIONS

ARM ADJUSTMENT WITH AWNINGS OVER 3615mm WIDE (REINFORCED ARM SUPPORTS)

The tilt and horizontality of the Front bar is adjusted with the Awning unfolded.
 In the case of a motorized Awning, first connect to the mains to unroll the fabric.
 To fit properly, the Front bar and Arms must be aligned with the 40mm sq tube.

This adjustment is made in the factory. If, however, adjustment is necessary, extend the awning approximately 300 to 500 mm and:



1 - Loosen nuts **A** and **B** using a size 19 wrench.

To adjust the inclination, relieve the stress on the arm by supporting it (operation to be performed by two people)

2 - Adjust the Inclination by adjusting Screw **C**

3 - Retighten Nuts **A** and **B**

Customer

Contact

Order No

Date

WO Juralco

SO Juralco

\$ Juralco

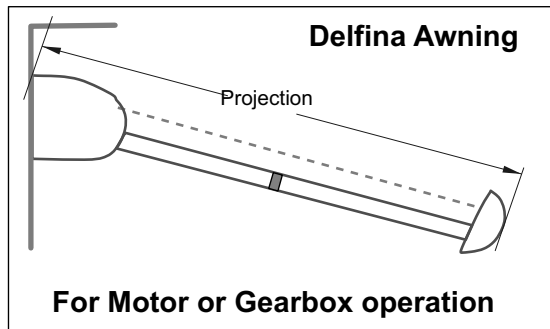
Select/Enter Dimensions below. Enter details/selections into all boxes. Then scan and send to sales@juralco.co.nz

1 Unsuitable for use in Strong Wind Areas

Select Projection then enter desired Overall Width dimension

Available Projections	Select Projection	Widths Minimum	Enter Overall Width
1500		2000	
2000		2500	
2500		3000	
3000		3600	
3500		4100	

Width Maximums = All 5900mm



2 Select Powder Coat Type and Colour

Duralloy Plus

Duratec

Specify PC Colour and Code Note: Arms Silver finish only

3 Select Fabric Type and Colour

Planasol

Dickson

Specify Awning Fabric Colour and Code

4 Select Mounting Brkts+ No

Face Ceiling + Face

No Needed

5 Select Gear Box or Motor

Gearbox Motor + Switch

Motor + Remote

6 Select Motor or Gearbox End, viewed from Front

LH RH

7 Extended Soffit Fixing Brackets. Number, if required

JFA/SFBRKT

If Gearbox selected, Handle length

If Motor + Remote selected, these options apply

8 1200mm 1400mm

1600mm 2000mm

Wall clip?

9 Volo Wind sensor?

No

Yes

10 NemoVibe sensor?

No

Yes

11 Additional Motor Remote Control? BIDI/Awning + Portable controller. Tick to select

P1 P6

P18

12 Notes:

Juralco Delfina™ Awning System- Building Consents

These two pages are an extract from the Department of Building and Housing

- Building Work that does not require a Building consent - pages 21 to 24. Online at www.dbh.govt.nz/bc-no-consent
- These are new exemptions dated Dec 2010

While every effort has been made to ensure that this information is correct at time of writing, it is provided for guidance only and Juralco will accept no liability for, nor warrants the accuracy of this guidance. It is the sole responsibility of the of the purchaser to confirm current status of consent requirements with the relevant territorial authority before purchase and installation.

Awnings

Awnings.

Exemption (ja) of Schedule 1

A building consent is not required for the following building work:

- (ja) the construction, alteration, or removal of any fabric, glass, or metal awning on any building that-
 - (i) is on the ground or first storey level; and
 - (ii) does not exceed 20 sqmt in size.

Guidance:

Awnings are usually coverings that are fabric, glass or metal. They are normally attached to the exterior of a building and are commonly used for protection from sun, rain or as a wind buffer (eg, a shadesail or window awning). The installation of awnings that are 20 sqmt or less on any building at a ground floor or first floor level will comply with this exemption.

Size is a factor for large awnings, as they can damage the walls they are attached to or adjacent property or potentially injure people in high winds. Accordingly, any awnings larger than 20 sqmt require a building consent.

This exemption relates to awnings which are currently attached or are to be attached to a building's external envelope or exterior surfaces. Awnings may be removed, altered and constructed, providing this work complies with the Building Code. Particular emphasis should be placed on weather tightness detailing when removing, altering and constructing such structures. All mechanical connections (eg, nuts, bolts, coach screws etc) which penetrate the building envelope and provide support to awnings must provide adequate resistance to moisture getting into the structure. Please note, this exemption does not relieve the owner of any other requirements under the Resource Management Act 1991 and or local district plan rules and provisions.

Examples where this exemption could apply:

A shadesail is to be attached above a deck at first floor level of a dwelling. The proposed shadesail has a total area of 18 sq mt, and meets all Building Code requirements.

The removal of an existing 12 sqmt awning providing shade at the entry to a building (situated at first floor level).

Examples where building consent is required:

A glass awning is to be fitted to an apartment on the sixth floor of the building. Though the awning has a total coverage of 14 sqmt, it is not exempt because of its height above ground and a building consent is required.

Territorial Authority discretionary exemptions

Territorial authority discretionary exemptions

Exemption (k) of Schedule 1

A building consent is not required for the following building work:

- (k) any other building work in respect of which the territorial authority (or, as the case requires, the regional authority) considers that a building consent is not necessary for the purposes of this Act because that building work-
 - (i) is unlikely to be carried out otherwise than in accordance with the building code; or
 - (ii) if carried out otherwise than in accordance with the building code, is unlikely to endanger people or any building, whether on the same land or on other property.

Guidance:

Exemption (k) allows a discretionary decision to be made by a territorial authority (city or district council) or regional authority (regional council) to exempt proposed building work from the requirement to obtain a building consent in the circumstances specified in (i) and (ii), above.

Members of the public may ask their local council to consider their proposed building work under this exemption. However, the decision to allow any exemption under this part of Schedule 1 is totally at the council's discretion, based on the risk of building work not complying with the Building Code or endangering people or property.

Local councils should have procedures for making formal decisions under exemption (k) to exempt building work, that meet the specific criteria of (i) and (ii) above, from the requirement to obtain a building consent.

In all cases, the Department recommends that the decision, reason for the decision and the outcome of the decision be recorded by the local council and placed on the property file that relates to the building work.

Powder Coating Installation Care

Warning re use of solvents:

- In some cases strong solvents are recommended for thinning various types of paints and also for cleaning up mastics and sealants.
- These can be harmful to the extended life of the powder coated surface, and must not be used for cleaning purposes.
- It is important to note that the damage will not be visible immediately and may take up to 12 months to develop.

If paint splashes or sealants and mastics need to be removed then the following may be safely used:
Methylated Spirits, Ethyl Alcohol, Isopropanol or preferably a mild detergent in warm water.

Joinery Protection during Installation:

All the activity on a construction site means that your powder coated items may get knocked or scratched, splattered with mortar, plaster, textured coating or paint during the later stages of construction.

Please ensure that all powder coated articles are masked or covered at this time. It is far easier to prevent accidents than to try and correct them. Should your joinery receive mortar or paint splashes see that these are removed before cure and follow the instructions contained in this brochure.

Typical sticker used to warn other trades of the need to protect and mask off powder coated joinery (applies to anodised joinery also)

"IMPORTANT ALL TRADES"
This valuable aluminium joinery will suffer permanent damage from: plaster, mortar and paint splashes - Protect if splashes occur - Immediately wash down joinery with water or meths - Do not allow splashes to harden! - Do not use solvents! - Do not remove this label until final clean completed.

This photograph displays damage that has occurred on site, post installation. The photo of the masked joinery displays clear signs of damage that could have occurred were it not masked. Please ensure that your joinery is protected right through the entire construction process.



Powder Coating Maintenance

External - Maintenance Program:

To extend the life of external powder coated articles and to comply with warranty requirements for powder coated aluminium joinery, a simple, regular maintenance program must be implemented.

The effects of ultra violet light, atmospheric pollution, dirt, grime and airborne salt deposits will all accumulate over time and must be removed or surface staining and weathering will occur, leading to an unsightly appearance.

For external coatings, cleaning should take place every six months. In areas where pollutants are more prevalent, such as beachfront houses and industrial or geothermal areas, then a cleaning program should be carried out on a more frequent basis ie. every one to three months.

Cleaning your powder coating:

1. Carefully remove any loose surface deposits with a wet sponge.
2. Use a soft brush (non abrasive) and a mild household detergent (do not use solvents) in warm water, remove dust, salt and other deposits.
3. Rinse off with clean fresh water.



Restoring weathered or scratched surfaces:

Repair of Scuffed or Scratched surfaces
Dulux Spray Cans are available in all colour card colours.

Repair of Small Scratches or Chips.
Dulux Dabsticks are ideally suited for the repair of small scratches.
Dabsticks may not be available in all colour card colours.

Repair of Weathered areas .
Dulux Gloss Up is a light to medium cutting cream ideally suited for gloss restoration and has been specifically designed for this purpose.
Gloss Up contains no waxes or silicone and is a one step system.



Contact Dulux Powder Coatings , ph 0064 9 441 8244