

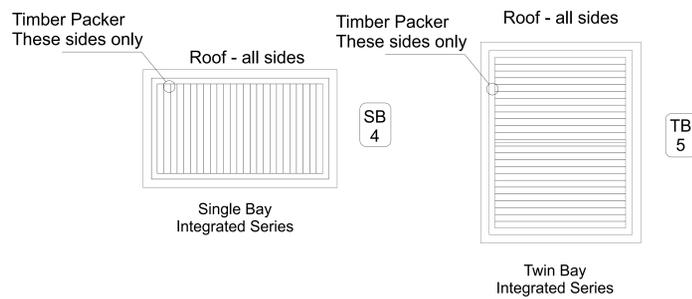


HomePlus® Outdoor Living System

Structural - Integrated Roof attach

Notes:

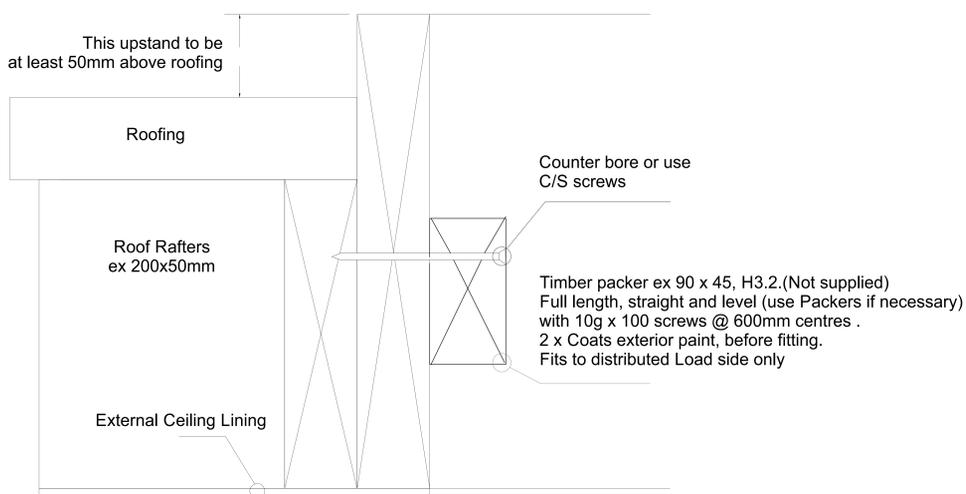
- 1 - Only applicable to Intergrated Structure.



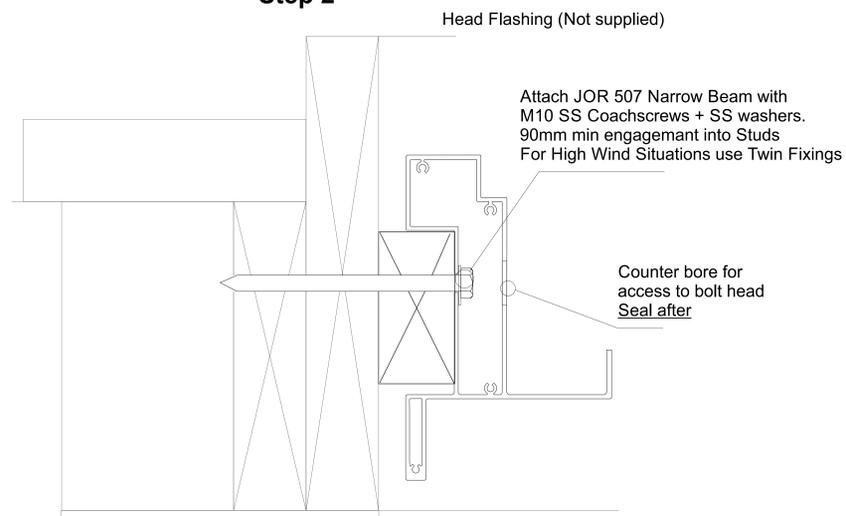
Important Note:

Juralco can only guarantee the suitability of the initial connection.
 In this case the M10 Coachscrews attaching the JOR507 Wall Beam to the Timber Packer and to the Boundary Joists
 All subsequent connections and strengthening to a structure are the clear responsibility of the builder/ installer.
 Any other specifications on this page are general suggestions only.
 Please refer to the HomePlus Outdoor Living System/ Manual/Structural/Configurations/Areas/Wind Zones
 for guidance on Forces the structure will have to withstand.

Step 1



Step 2



Typical Integrated Roof Construction. Boundary joists all very firmly attached to Roof rafters. Engineer to check structure

Important Installation Notes:

- 1 - A Design engineer must ensure the building structure can support the appropriate wind loading
- 2 - Coachcrews 90mm min thread engagement into joists
- 3 - Bond all Coachscrews with SIKA Supergrip to full depth
- 4 - An EPDM, Rubber or Foam Tape layer must be installed between the JOR 507 and Timber
- 5 - All fixings must be Stainless Steel

For a Producer statement or for further, more detailed information
 email specify@juralco.co.nz ph 09 478 8018 www.juralco.co.nz

Issue 7/17