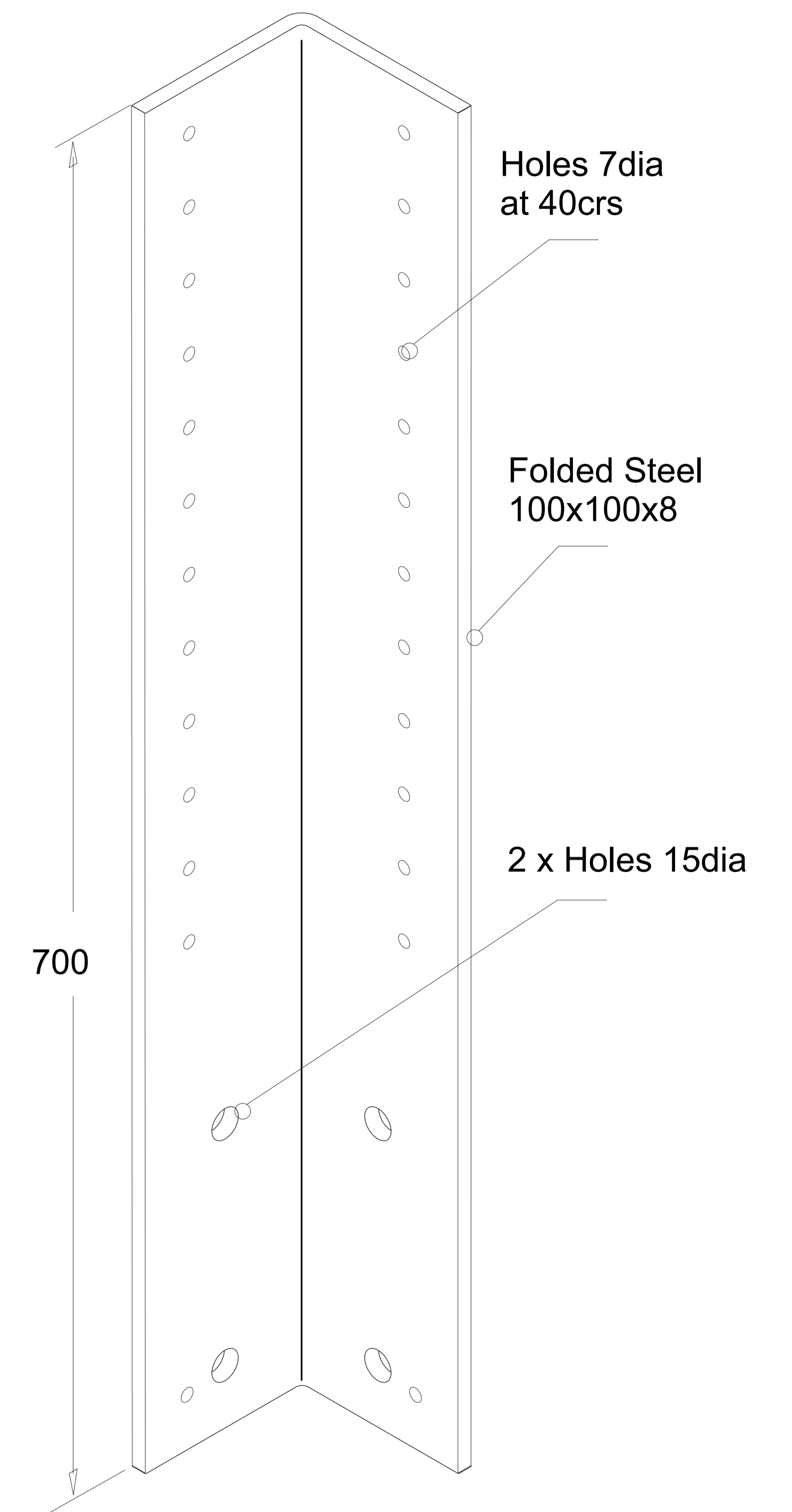
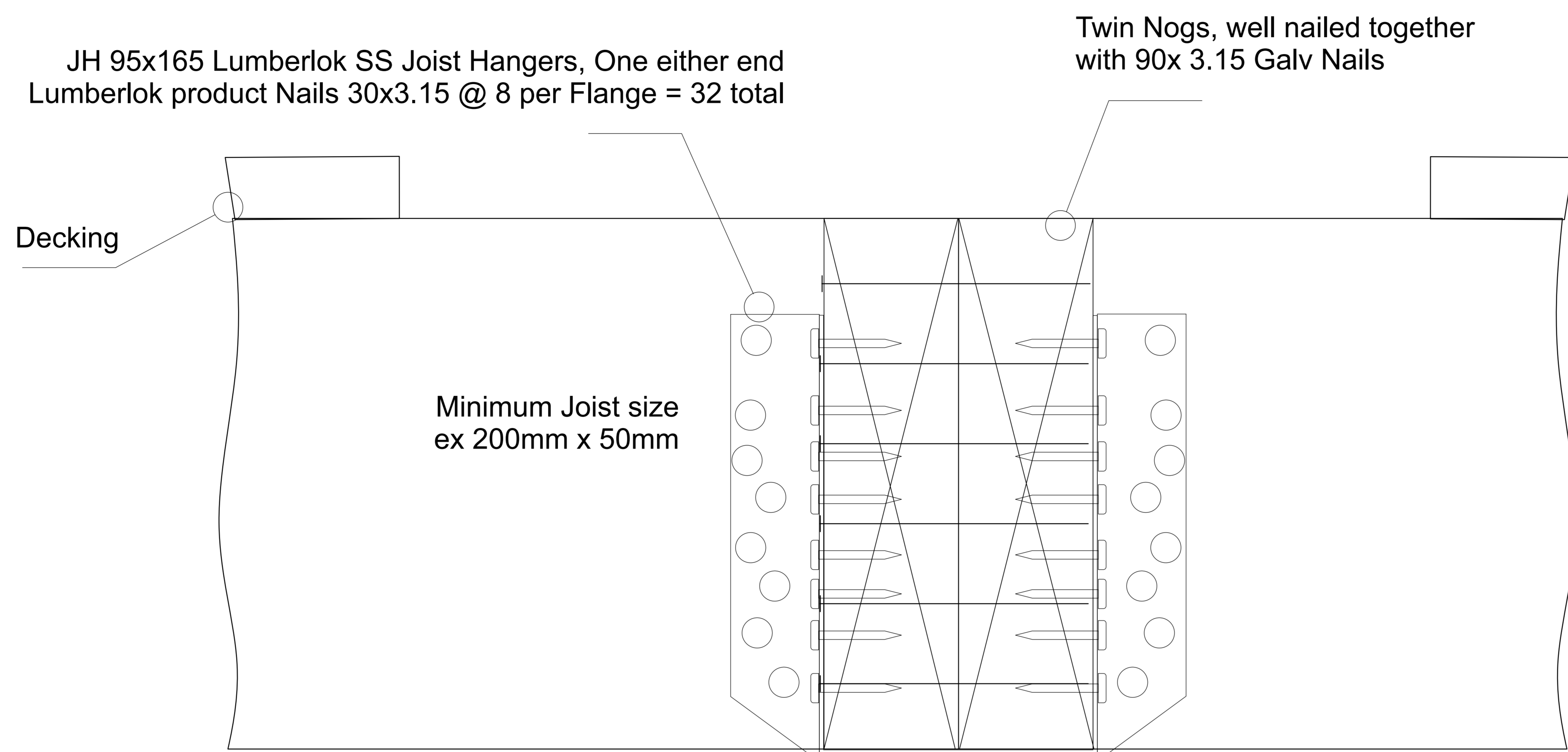




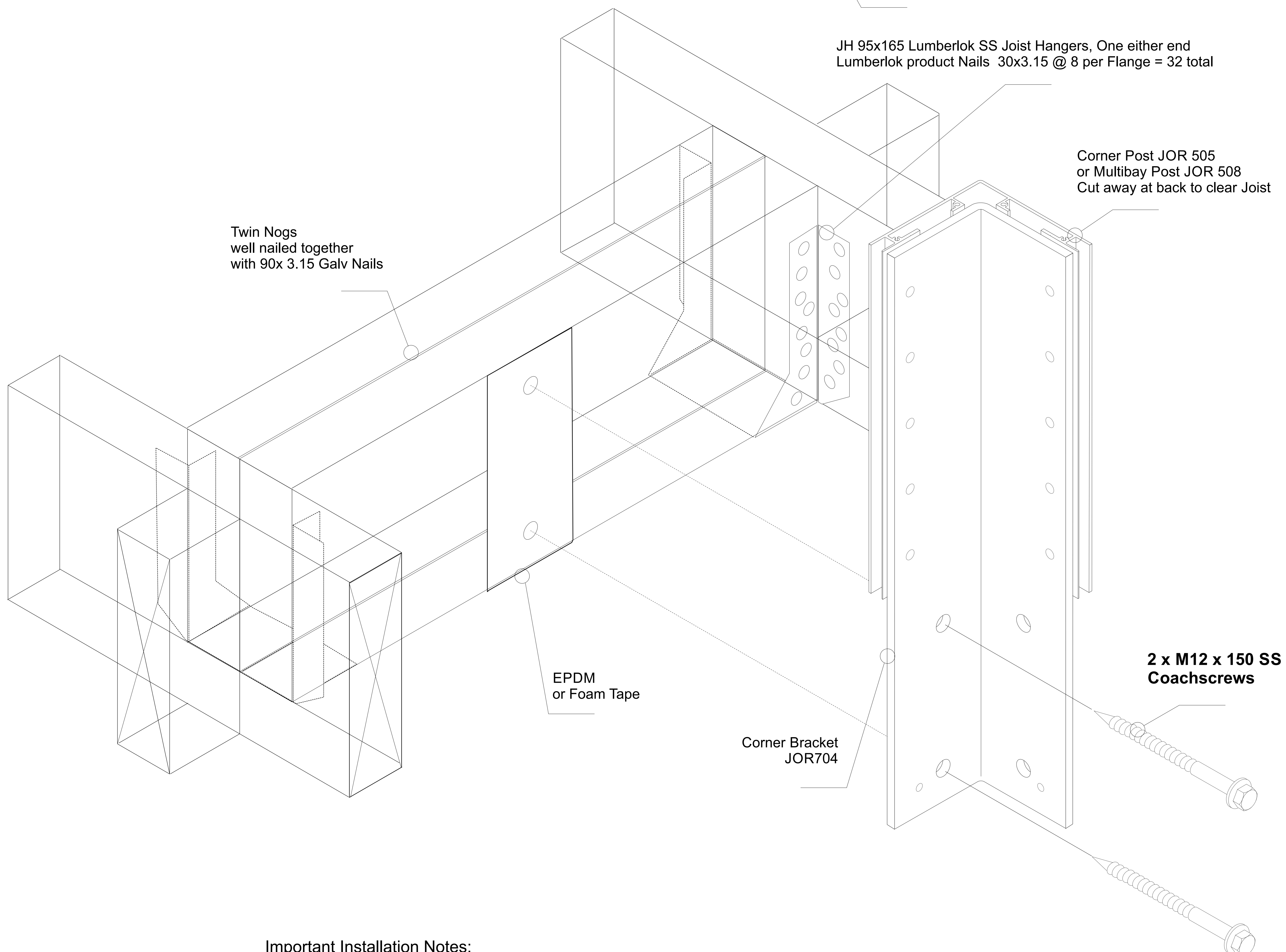
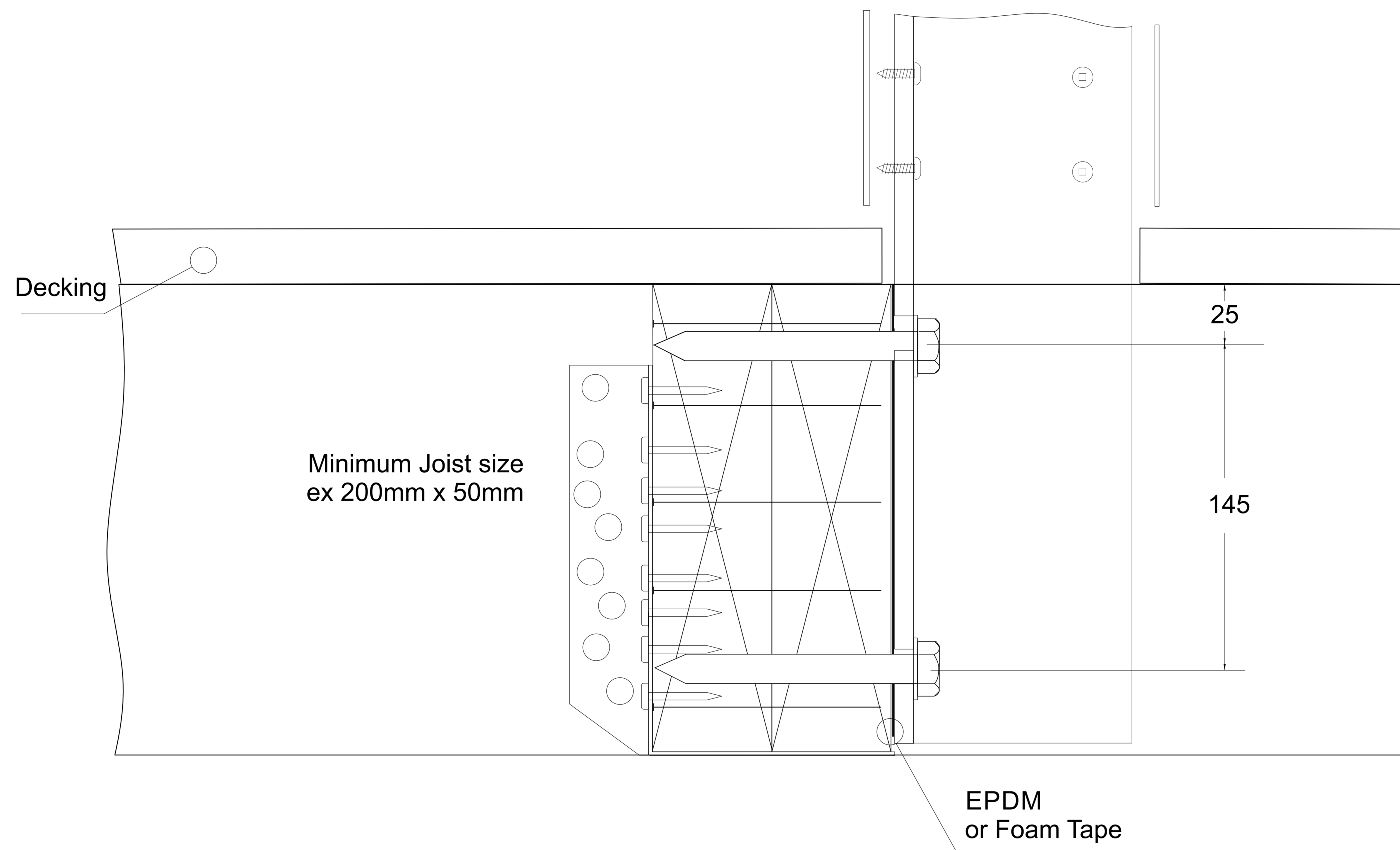
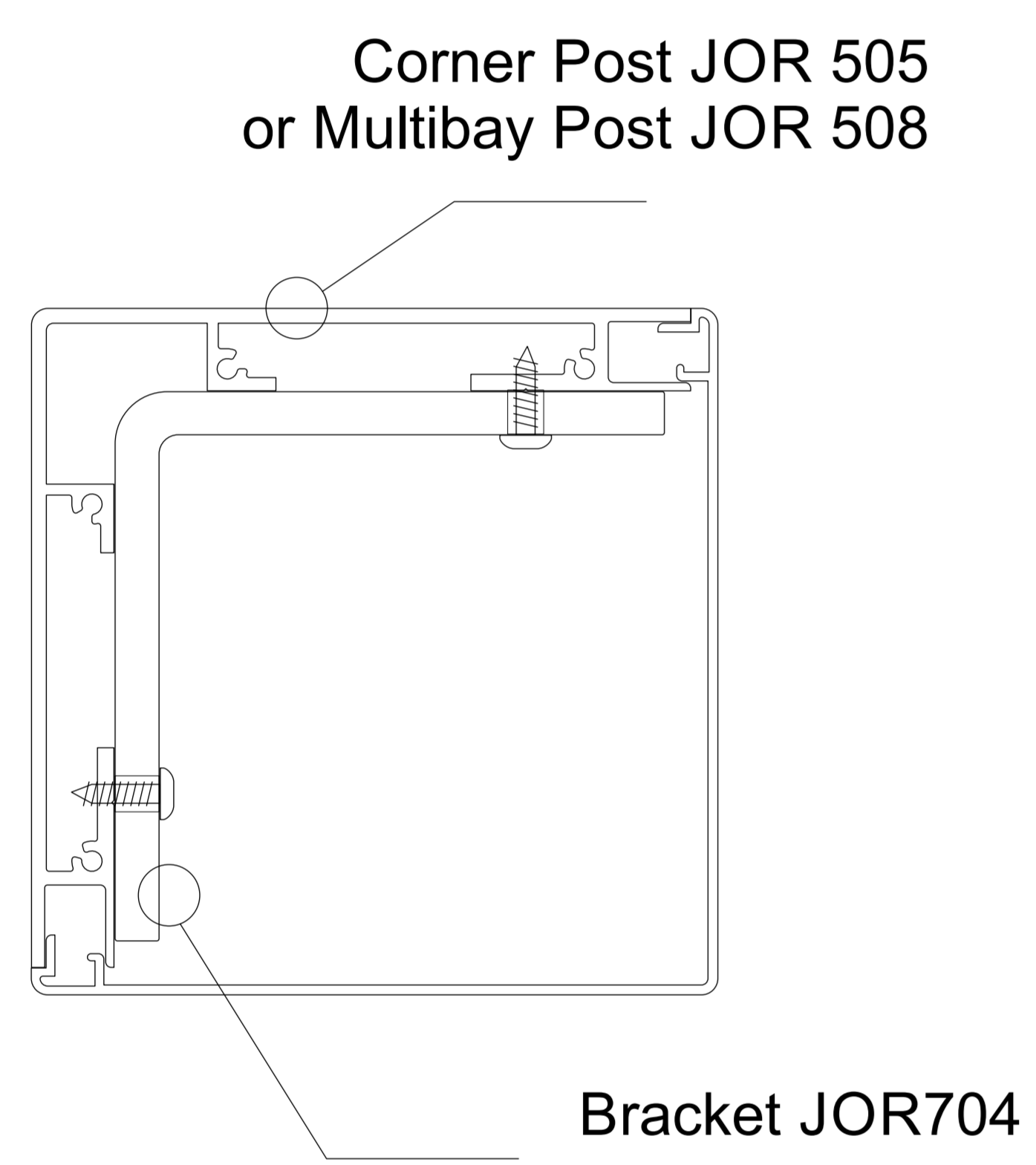
HomePlus® Outdoor Living System

Typical FACE Fix to Timber (Deck Inner Area) - Bask Corner Post JOR 505, M12 SS Coachscrews Complies with NZS3604:2011 - Double Boundary Joists

Important Note: Juralco can only guarantee the suitability of the initial connection.
In this case the 2 x M12 Coachscrews into the Double Boundary Joist.
All subsequent connections and strengthening to a structure are the clear responsibility of the builder/ installer.
Any other specifications on this page are general suggestions only.
Please refer to the HomePlus Outdoor Living System/ Manual/Structural/Configurations/Areas/Wind Zones for guidance on Forces the structure will have to withstand.



POST
BOTTOM BRACKET
TIMBER DECK
Part No JOR 704



Important Installation Notes:

- 1 - A Design engineer must ensure the building structure can support the appropriate loading at each Post
- 2 - Coachscrews 90mm min thread engagement into joists
- 3 - Bond all coachscrews with SIKA Supergrip to full depth
- 4 - An EPDM, Rubber or Foam Tape layer must be installed between the Post and Timber
- 5 - All fixings must be Stainless Steel