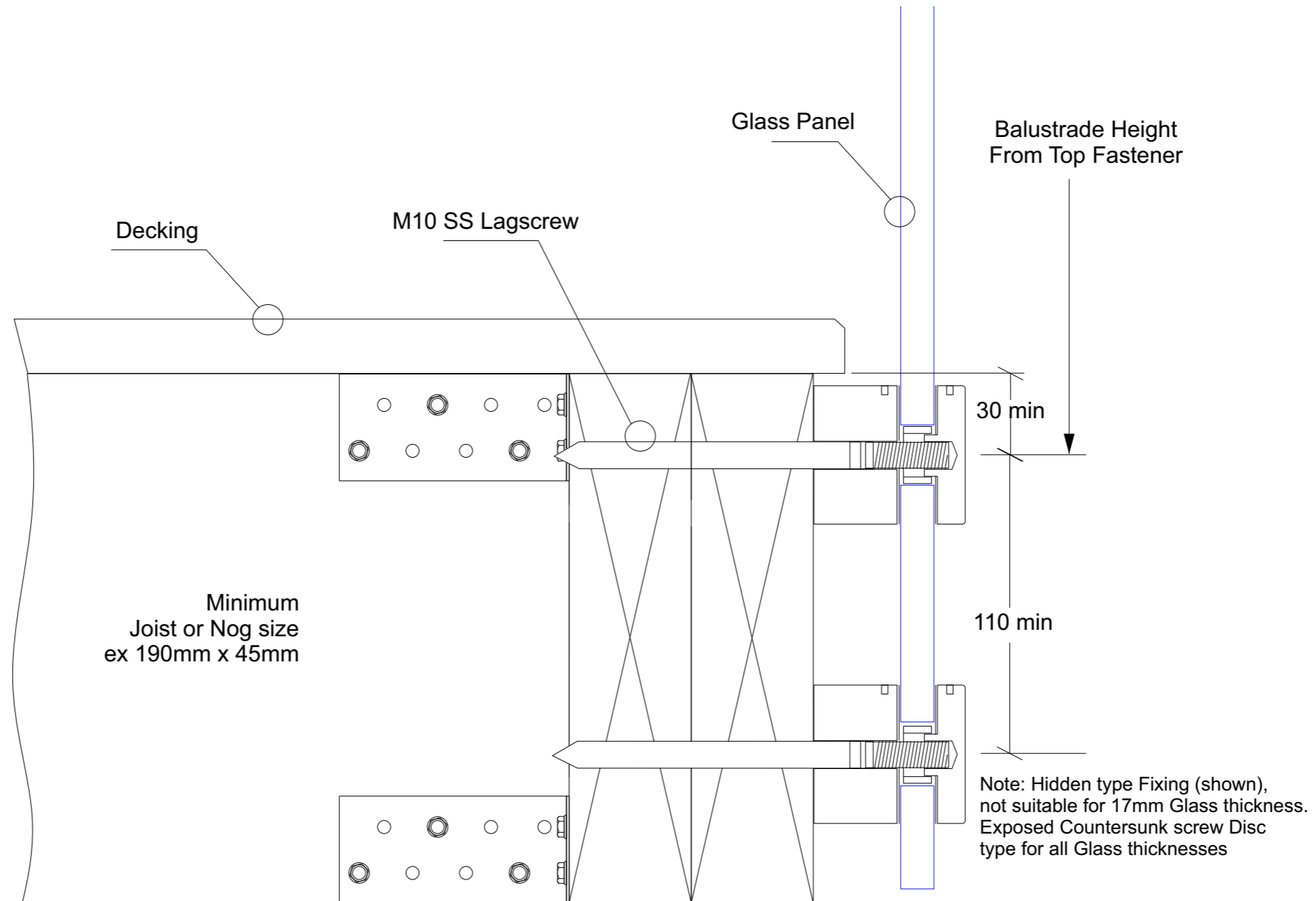


Typical Face Fix to Timber - M10 SS Lagscrews

Important Installation notes:

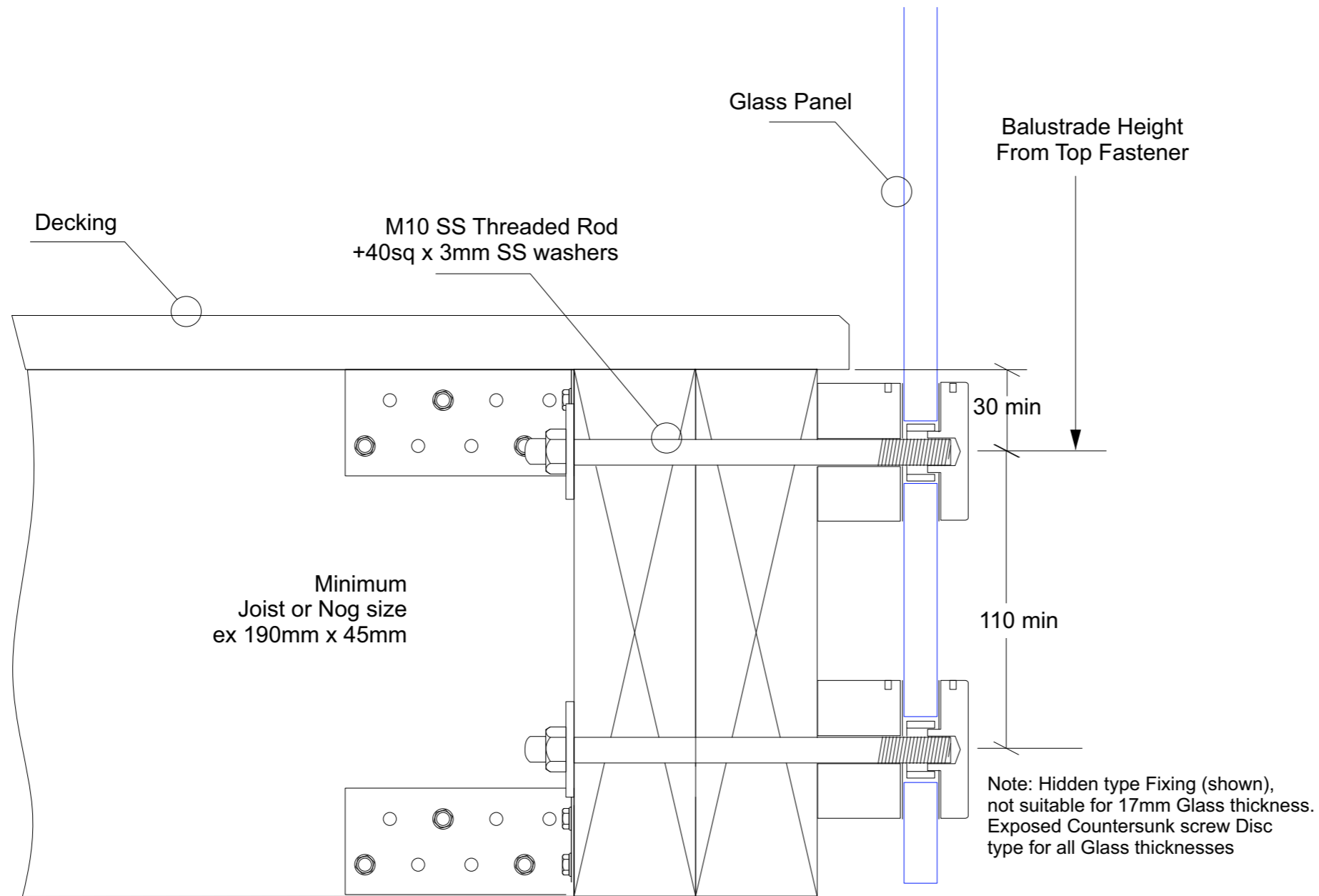
- 1 - The Project Engineer must ensure the structure can support the appropriate loads
- 2 - Refer to the Juralco Infinity Manual for applicable Wind Zones and restrictions
- 3 - Substructure shown indicatively only. Timber SG8 minimum strength
- 4 - Lagscrews 90mm min engagement into joists. Pre drill 6mm holes
- 5 - Bond all Lagscrews with SIKA Supergrip to full depth
- 6 - All Fixings must be Stainless steel



Typical Face Fix to Timber - M10 SS Threaded Rod

Important Installation notes:

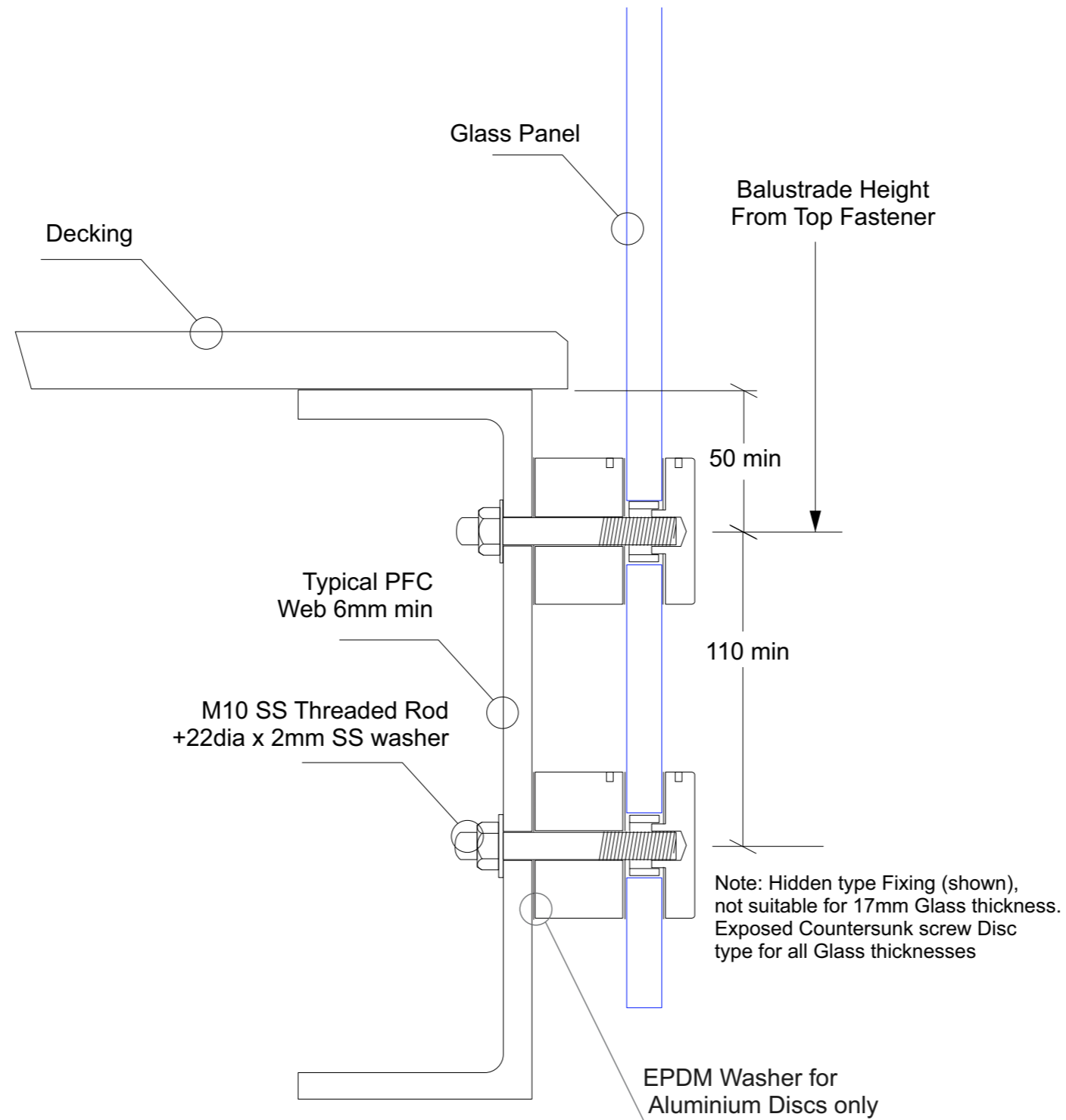
- 1 - The Project Engineer must ensure the structure can support the appropriate loads
- 2 - Refer to the Juralco Infinity Manual for applicable Wind Zones and restrictions
- 3 - Substructure shown indicatively only.
- 4 - All Fixings must be Stainless steel



Juralco Edgetec Double Disc Balustrade System
Typical Face Fix to Steel - M10 SS Threaded Rod

Important Installation notes:

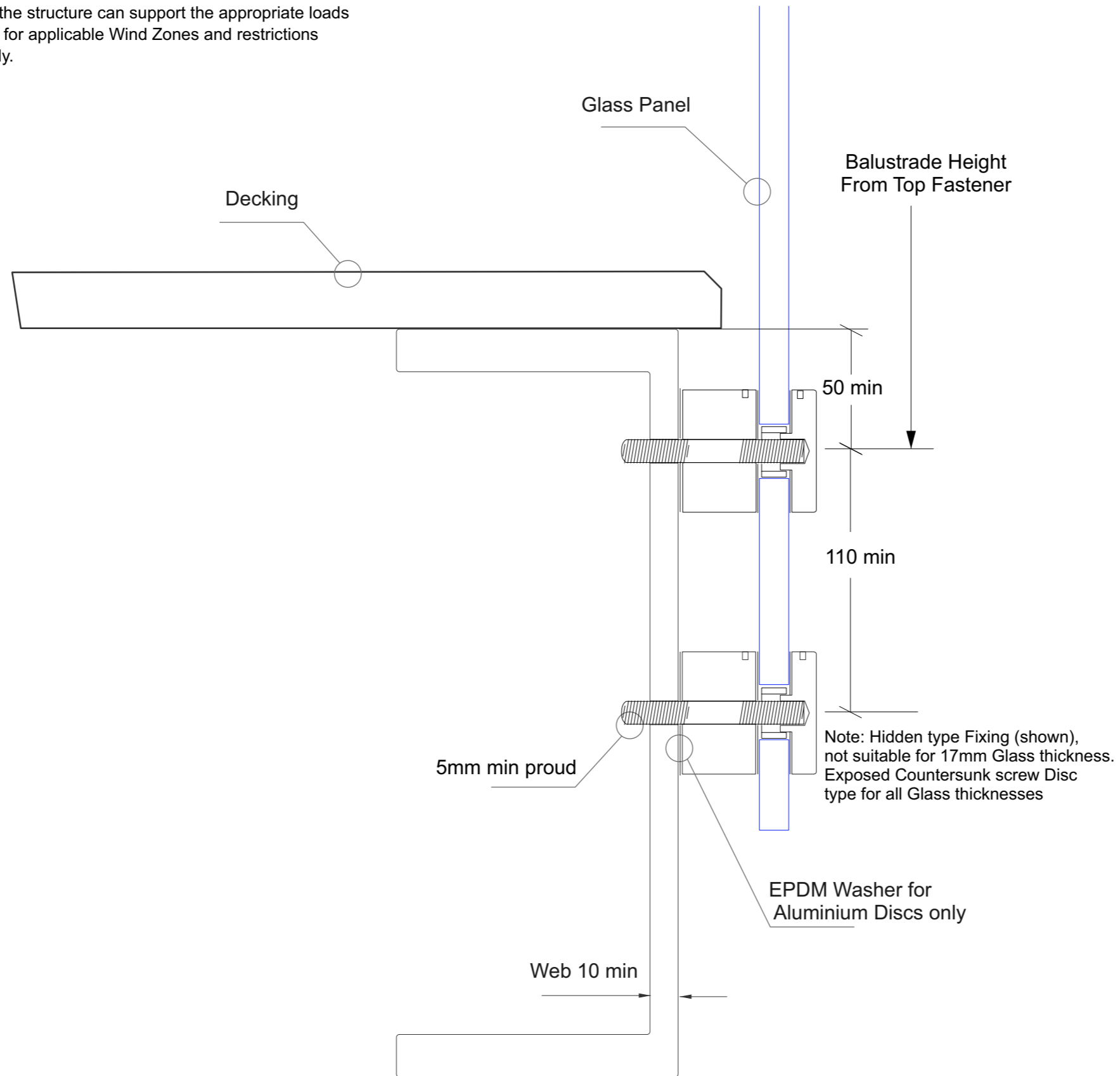
- 1 - The Project Engineer must ensure the structure can support the appropriate loads
- 2 - Refer to the Juralco Infinity Manual for applicable Wind Zones and restrictions
- 3 - Substructure shown indicatively only.
- 4 - All Fixings must be Stainless steel



Juralco Edgetec Double Disc Balustrade System
Typical Face Fix to Steel - M10 SS Threaded Rod + Tapped Hole

Important Installation notes:

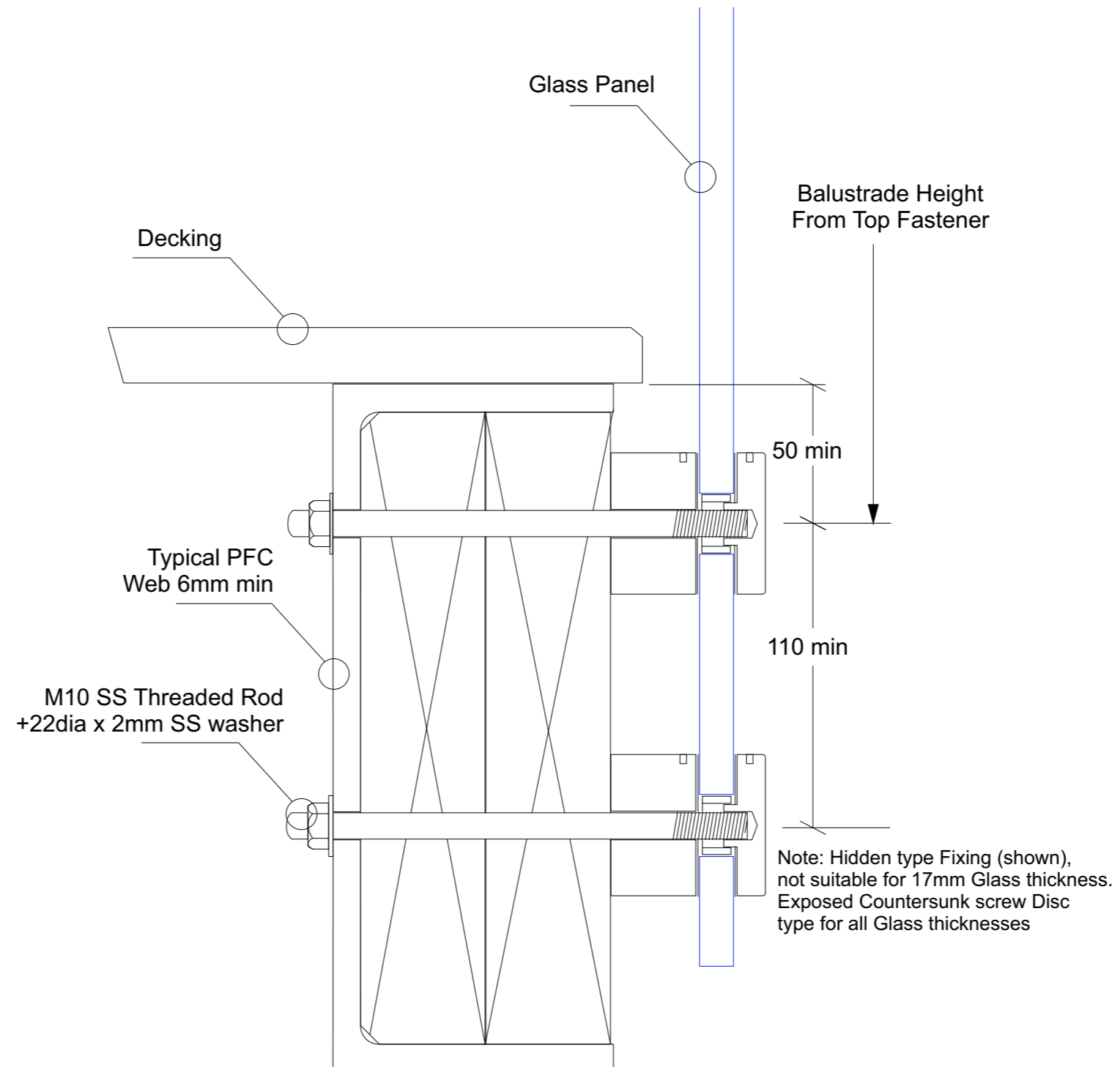
- 1 - The Project Engineer must ensure the structure can support the appropriate loads
- 2 - Refer to the Juralco Infinity Manual for applicable Wind Zones and restrictions
- 3 - Substructure shown indicatively only.
- 4 - All Fixings must be Stainless steel



Juralco Edgetec Double Disc Balustrade System
Typical Face Fix to Steel + Timber Packers - M10 SS Threaded Rod

Important Installation notes:

- 1 - The Project Engineer must ensure the structure can support the appropriate loads
- 2 - Refer to the Juralco Infinity Manual for applicable Wind Zones and restrictions
- 3 - Substructure shown indicatively only. Timber SG8 minimum strength
- 4 - All Fixings must be Stainless steel



Juralco Edgetec Double Disc Balustrade System
Typical Face Fix to Concrete - M10 SS Studs

Important Installation notes:

- 1 - The Project Engineer must ensure the structure can support the appropriate loads
- 2 - Refer to the Juralco Infinity Manual for applicable Wind Zones and restrictions
- 3 - Substructure shown indicatively only.
- 4 - All Fixings must be Stainless steel

