





Juralco Aluminium Building Products Ltd designs and distributes specialist aluminium joinery systems through a national network of franchised fabricators and agents.

For more than 25 years we have been at the forefront of specialist aluminium door and window products suitable for New Zealand joinery and building methods. Our comprehensive product range includes security and insect screens, balustrades and gates, shutters and awnings, shower screens, wardrobe doors and organisers and internal doors.

Juralco SupaScreen security doors and windows provide clear vision as well as insect protection and security to Australian standards. The patented assembly method leaves the marine grade woven 316 stainless steel mesh free from mechanical fixings such as screws, rivets and pins. The system is suitable for use in a wide range of installations including residential, commercial, school door and window applications, hotel ,bar, club, vehicle and shop window protection screens. Doors are available in both sliding and hinged configurations and windows in sliding, hinged and fixed configurations. All are custom-made in a wide variety of frame powder-coat and anodised finishes and incorporate complimentary hardware.

This Guide is intended for use by Architects, Specifiers and Fabricators  
See Index page 3


SupaScreen Security Doors - Clear vision combined insect mesh, security mesh and ventilation.  
Depending on colour and lighting this mesh is almost invisible. Set in a secure Door frame with 3 point security lockware.  
Available as windows, hinged or sliding doors.



# Juralco SupaScreen Security Door and Window Systems

**Note: Security Door tested to Australian Standard AS 5039 and A5504 (clause 7.2) Dynamic Impact Test**

## Index

Type	Pages	Description	<a href="#">Use the Bookmarks</a>  <a href="#">List to jump to selected pages</a>
General	4 - 5	General descriptions of Insect Window and Door types. Supascreen SS Mesh panels.	
Windows	6 - 10	Shows Hinged and Sliding Security windows. Extrusions, components and cutting allowances	
Doors, Hinged	11 - 20	Shows Hinged Security doors. Extrusions, components and cutting allowances.	
	21 - 22	Worksheet - Security Hinged Single and Double Doors	
Doors, Sliding	23 - 33	Shows Sliding Security doors. Extrusions, components and cutting allowances	
	34 - 36	Worksheet - security Sliding Single and Double Doors	
Supascreen Panel Fitting	37 - 38	Shows how to fit Clearguard mesh to Window and Door frames	
Maintenance	39 - 40	Instructions for the care of Powder coated surfaces and the Supascreen Mesh	

### Important information - Powder Coating systems.

**Powdercoat Systems** The new standard Dulux powder coating system used by Juralco is Duralloy Plus®. Also Duralloy® and Duratec®. Juralco Powder coated prices are for Duralloy Plus® and Duralloy® (same pricing). Duratec® prices on application. The following specs apply to Building Exteriors.

- Dulux Duralloy Plus® powder coating systems are suitable for properties greater than 10m from high tide level. Residential and Light commercial buildings, 3 levels max. Warranty 15 yrs
- Dulux Duratec® powder coating systems are suitable for properties greater than 10m from high tide level All Residential and Commercial buildings. Warranty 25 yrs.

**Attachment to structures** A PVC Tape or similar material spacer must be used to separate powder coated aluminium items from all concrete and steel structures. Failure to do so can lead to the chemicals in the structure affecting the powder coating, leading to corrosion.

**Swimming Pools** The chlorinated water in swimming pools can cause the deterioration of powder coated surfaces, leading to corrosion of the underlying surface. It is recommended that Powder coated surfaces be 1200mm min from a pool.

**Care** The Dulux powder coating warranty period is conditional upon the surface being maintained in accordance with the Dulux 'Care and Maintenance Instructions'. Download from Dulux or refer to the back page of this manual.

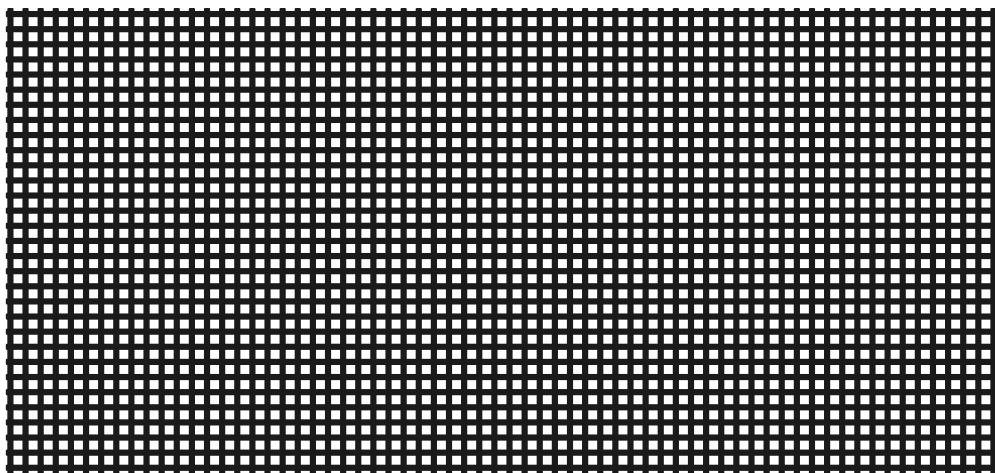


SupaScreen Mesh

**Note: Security Door tested to Australian Standard AS 5039 and A55041 (clause 7.2) Dynamic Impact Test**

Specifications:  
 Combined Security Mesh and Insect Screen.  
 Rigid woven mesh, marine quality 316 SS  
 Wire 0.25mm dia x 2mm pitch  
 Visibility, % open area = 47%  
 Finish, Black Powdercoat

Mesh, Full size



Supascreen Panel Sizes

Sheet	Width	Length
Part No	mm	mm
JCG/SSA/2.0	750	2000
JCG/SSC/2.0	900	2000
JCG/SSD/2.0	1200	2000
JCG/SSA/2.4	750	2400
JCG/SSC/2.4	900	2400
JCG/SSD/2.4	1200	2400

Approx Max Door Frame Size

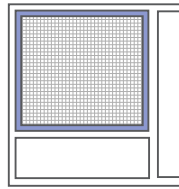
Width, max	Height, max
mm	mm
840	2090
990	2090
1280	2090
840	2490
990	2490
1280	2490

# Juralco SupaScreen Security Door and Window Systems - General Descriptions

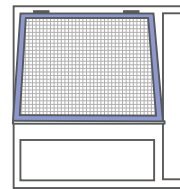
## SupaScreen Windows

- Juralco offers a wide range of options covering either hinged or sliding windows.
- All doors are constructed from our propriety range of aluminium extrusions.
- Available in a range of powdercoat colours to your design or natural anodised (frame only).
- A variety of Hardware to suit your security requirements.

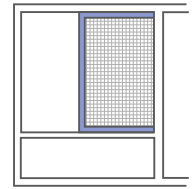
Fixed Window Panels  
H max = 2800mm, W max 2400mm  
Hinged Window Panels  
H max = 1500mm, W max 1200mm  
Sliding Window Panels  
H max = 1500mm, W max 1200mm



Fixed Windows



Hinged Windows



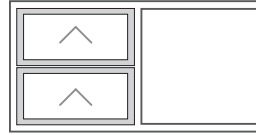
Sliding Windows

Single Awning



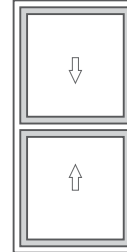
Can be top hinged, fixed or lift in and out. Inside fixing only.

Awning with Fixed Panel



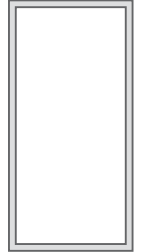
Sliding Screen covering both sashes or top hinged covering one sash. Inside fixing only.

Double Hung



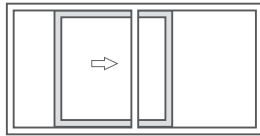
Fixed or lift in and out. Preferably on the outside.

Fixed Panel



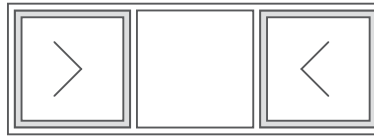
Fixed or side hinged either inside or out.

Sliding with Fixed Panel



Either sliding on the inside or fixed on the outside

Casement

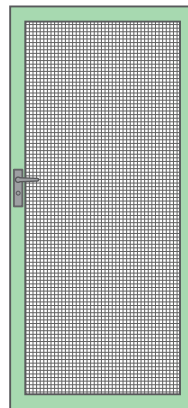


Side hinged, sliding or fixed. Inside fixing only.

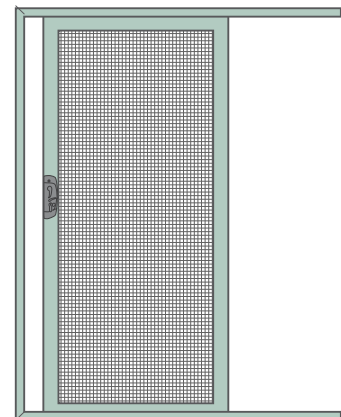
## SupaScreen Doors

- Juralco offers a wide range of options covering either hinged or sliding doors.
- All doors are constructed from our propriety range of aluminium extrusions.
- Available in a range of powdercoat colours to your design or natural anodised (frame only)
- A variety of Hardware to suit your security requirements.

All Door Panels  
H max = 2490mm, W max 1280mm



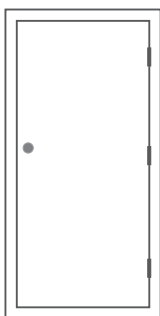
Hinged Door  
(Single and Double)



Sliding Door  
(Single and Double)

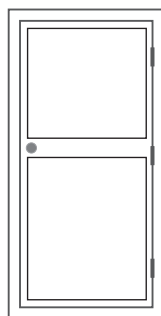
**Note:** Security Door tested to Australian Standard AS 5039 and A5504 (clause 7.2) Dynamic Impact Test

Timber Doors



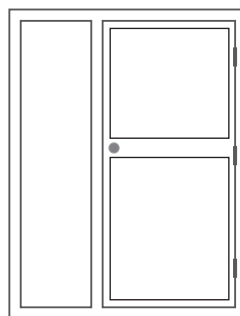
Most Security Doors will fit within the timber jamb.

Aluminium Doors



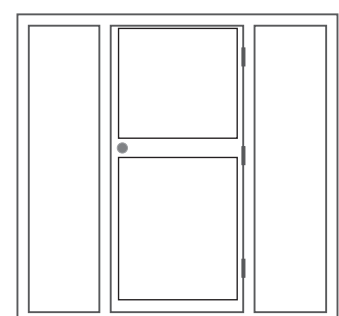
Security Doors will require an adaptor extrusion to clear the door handle.

Timber or Aluminium Doors with Glass Sidelight



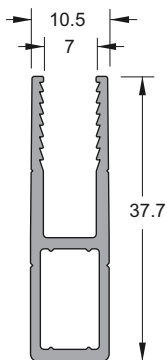
Will normally require building out the door mullion with dressed timber .

Timber or Aluminium Doors with Two Glass Sidelights

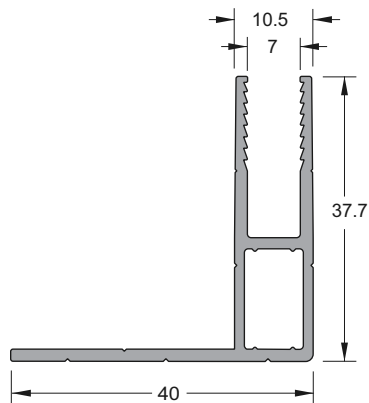


Will normally require building out the both door mullions with dressed timber .

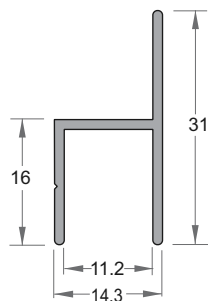
**Juralco SupaScreen Security Door and Window Systems - Window Extrusions**



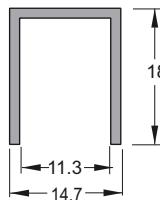
SUPASCREEN WINDOW FRAME  
JCG7711/5



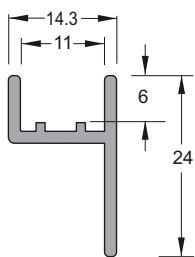
SUPASCREEN WINDOW  
FRAME ANGLE  
JCG7714/5



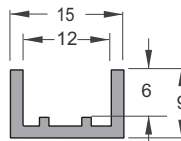
SLIDING WINDOW  
TOP CHANNEL  
(with Leg)  
J5775/5



SLIDING WINDOW  
TOP CHANNEL  
J5773/5



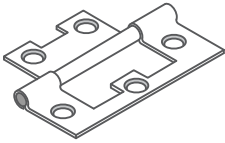
SLIDING WINDOW  
BOTTOM CHANNEL  
(with Leg)  
J5774/5



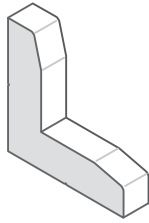
SLIDING WINDOW  
BOTTOM CHANNEL  
J5772/5

# Juralco SupaScreen Security Door and Window Systems - Window Components

Butt Hinge 65mm  
JC240



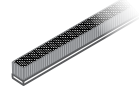
Corner Stake  
JCG/539



Nylon Runner  
JC284

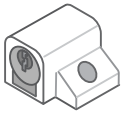


Mohair Strip  
JC225



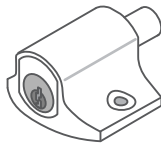
350mt Roll

Mighty Strong  
Window Presslock  
JJM194B



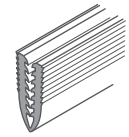
Black only

Whitco Window Presslock  
JJH22023 (B or W)



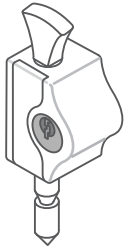
Black or White

Clearguard Plug  
JCGTape



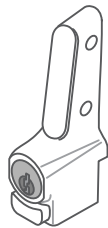
4mt Lengths

Whitco Mini  
Window Bolt 40mm  
JJH22033 (B or W)



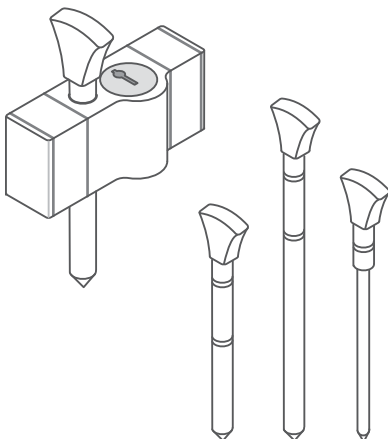
Black or White

Whitco Sliding  
Window Presslock  
JJH22013B



Black only

Whitco Window Multi Bolt  
JJH22053



Black or White

Includes 3x Door Bolts



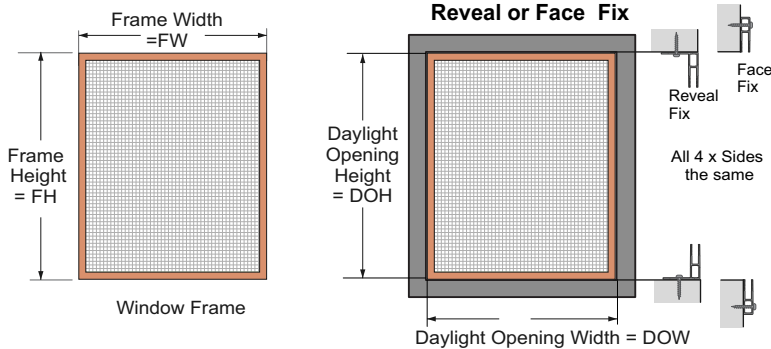
# Juralco SupaScreen Security Door and Window Systems - Window Details

## Ten Point Check List - SupaScreen Security Window Measuring

- 1 - Decide what type of screen would be suitable for this installation.  
i.e. Sliding, Top Hinged, Side Hinged, Fixed or Lift In and Out.
- 2 - Measure opening height and width according to the type of screen to be fitted.
- 3 - Check distance of protruding handles or window stays to make sure the SupaScreen has enough fixing surface.
- 4 - Check existing blinds, curtains, pelmets and drapes to see that the SupaScreen will not catch if and when opened.
- 5 - Decide on suitable lock. Refer Juralco Security Hardware & Components Price List.
- 6 - Discuss colour finish required.
- 7 - Note any add ons - timber packers, build out angles, sliding channels.
- 8 - Don't leave the site until you are 100% sure the unit you have detailed will work.

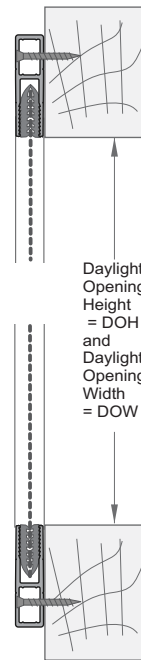
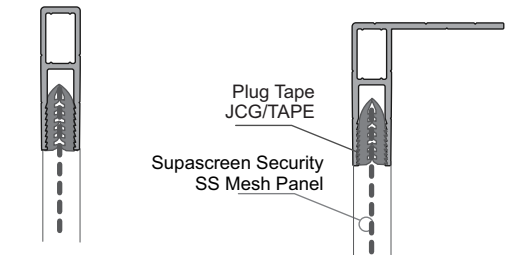
### Supascreen Windows, Fixed - Reveal or Face Fix

This configuration can be used to add Security to any window opening.  
The Fame and Security Panel are lightweight and suitable for all environments.

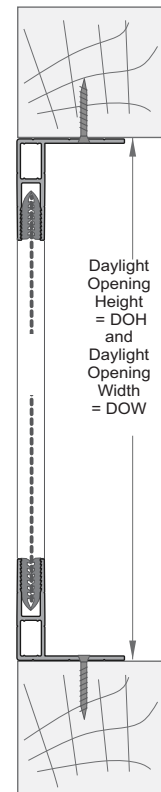


Window Frame  
J7711

Window Frame with  
Angle JCG7714



Face Fix



Reveal Fix

### SUPASCREEN SINGLE FIXED WINDOWS

FACE FIX		Part	Cutting Calc	No
1	Window Frame Height FH	JCG7711	$(DOH + 75) = FH$	2
1	Window Frame Width FW	JCG7711	$(DOW + 75) = FW$	2

REVEAL FIX		Part	Cutting Calc	No
1	Window Frame Height FH	JCG7714	$(DOH - 2) = FH$	2
1	Window Frame Width FW	JCG7714	$(DOW - 2) = FW$	2

### Select FH, FW from Face or Reveal Mounts

2	Supascreen Panel Height	JCG/SS...	FH - 44	1
3	Co-extruded Plug Height	JCG Tape..	FH - 82	2
2	Supascreen Panel Width	JCG/SS...	FW - 44	1
3	Co-extruded Plug Width	JCG Tape...	FW - 82	2

Components - always needed		Part	No
1	Window Frame Corner Stake	JCG/539	4

Cutting calculations - These are a guide only, confirm before cutting  
Strongly Recommended - Allow +30mm per cut to allow for Trimming/Mitre cuts and on site adjustment

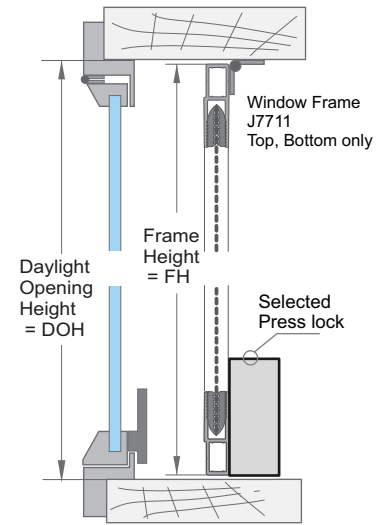
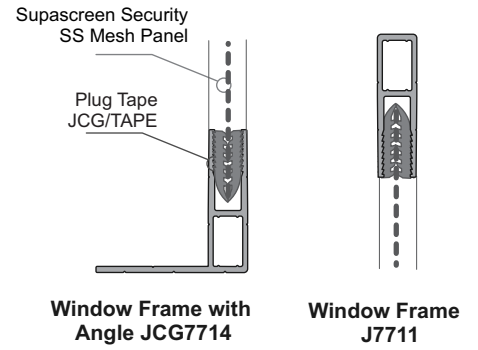
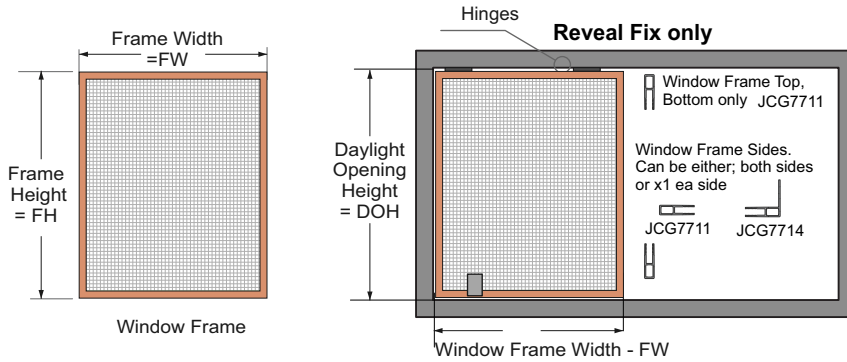


# Juralco SupaScreen Security Door and Window Systems - Window Details

## Supascreen Windows - Hinged Reveal Fix only

Note - This configuration can be used to add security to any window opening.

The frame and Supascreen security Panel are lightweight and suitable for all exterior environments..



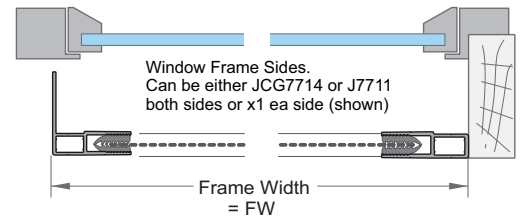
### SUPASCREEN SINGLE HINGED (Awning) WINDOWS

	REVEAL FIX	Part	Cutting Calc	No
1	Window Frame Height FH	JCG7711 or JCG7714	$(DOH - 10) = FH$	2
1	Window Frame Width FW	FW Enter	Enter FW	2
2	SupascreenPanel Height	JCG/SS	$FH - 44$	1
3	Co-extruded Plug Height	JCG Tape..	$FH - 82$	2
2	Supascreen Panel Width	JCG/SS	$FW - 44$	1
3	Co-extruded Plug Width	JCG Tape	$FW - 82$	2

	Components - always needed	Part	No
1	Window Frame Corner Stake	JCG/539	4
2	Mighty Strong Hinge 65mm	JC240	2
Select 1 x appropriate Window Presslock			
1	Mighty Strong Presslock (Black)	JJM194B	1
2	Whitco Presslock (Black or White)	JJH22023	
3	Whitco Minibolt (Black or White)	JJH22033	

**Cutting calculations** - These are a guide only, confirm before cutting  
Strongly Recommended - Allow +30mm per cut to allow for Trimming/Mitre cuts and on site adjustment

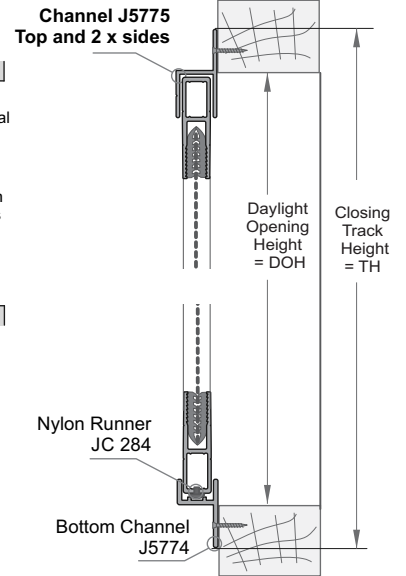
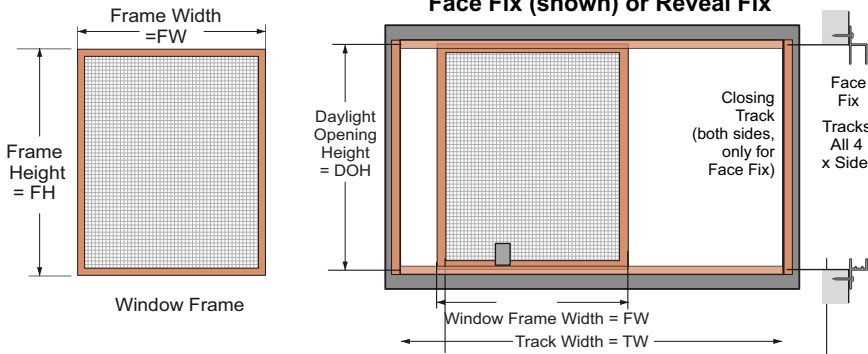
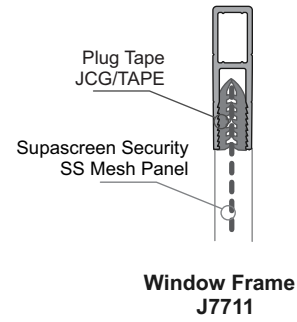
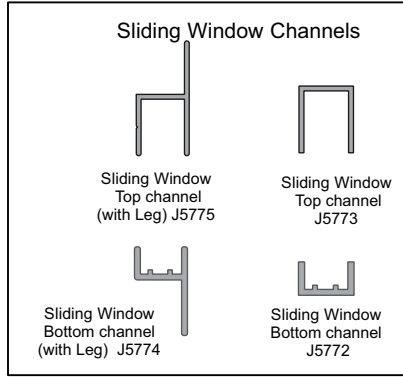
### Reveal Fix only



# JuralcoSupa Screen Security Door and Window Systems - Window Details

## Supascreen Windows - Sliding Reveal or Face Fix

This configuration can be used to add Security to **any window opening**. The Fame and Security Panel are lightweight and suitable for all environments.



### SUPASCREEN SINGLE SLIDING WINDOWS

	FACE FIX	Part	Cutting Calc	No
1	Window Frame Height FH	JCG7711	$(DOH - 6) = FH$	2
2	Closing Track Height TH	J5775	$(DOH + 30) = TH$	2
3	Window Frame Width FW	JCG7711	Enter FW	2
4	Track Widths TW	J5775, J5774	Enter TW	1ea

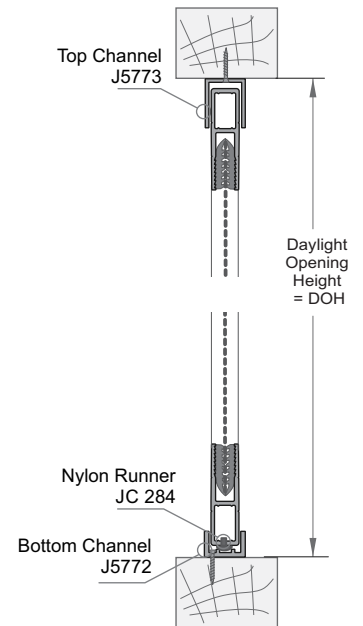
	REVEAL FIX	Part	Cutting Calc	No
1	Window Frame Height FH	JCG7711	$(DOH - 6) = FH$	2
2	Window Frame Width FW	JCG7711	Enter FW	2
3	Track Widths TW	J5773, J5772	Enter TW	1ea

#### Select FH, FW from Face or Reveal Mounts

1	Window Frame Height	J7711	FH	2
2	Supascreen Panel Height	JCG/SS	$FH - 44$	1
3	Co-extruded Plug Height	JCG Tape	$FH - 82$	2
1	Window Frame Width	J7711.	FW	2
2	Supascreen Panel Width	JCG/SS	$FW - 44$	1
3	Co-extruded Plug Width	JCG Tape	$FW - 82$	2

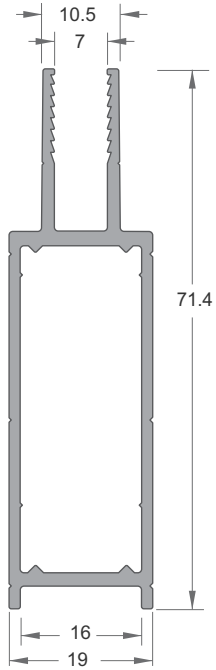
	Components - always needed	Part	No
1	Window Frame Corner Stake	JCG/539	4
2	Nylon Runner	JC284	2-3
Select 1 x appropriate Window Presslock			
1	Whitco Sliding Presslock (Black)	JJH22013B	1
2	Mighty Strong Presslock (Black)	JJM194B	
3	Whitco Window Presslock (Black or White)	JJH22023	
4	Whitco Minibolt (Black or White)	JJH22033	

**Cutting calculations** - These are a guide only, confirm before cutting  
 Strongly Recommended - Allow +30mm per cut to allow for Trimming/Mitre cuts and on site adjustment

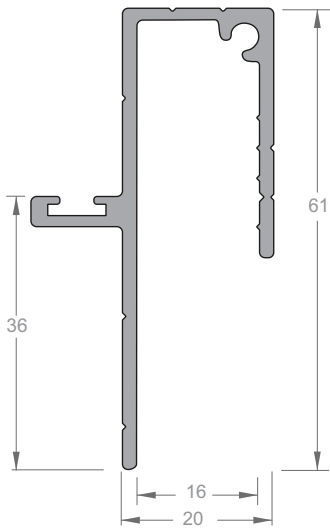


**Reveal Fix**

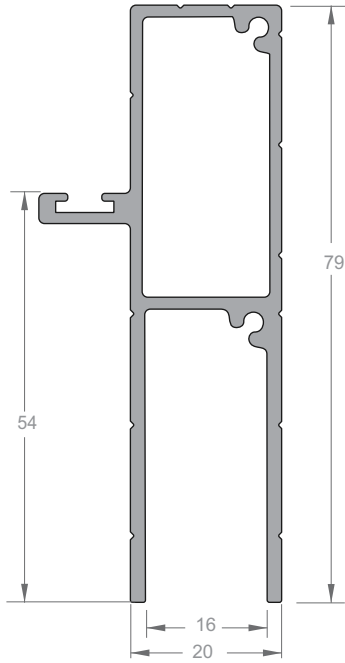
**Juralco SupaScreen Security Door and Window Systems - Hinged Door Extrusions**



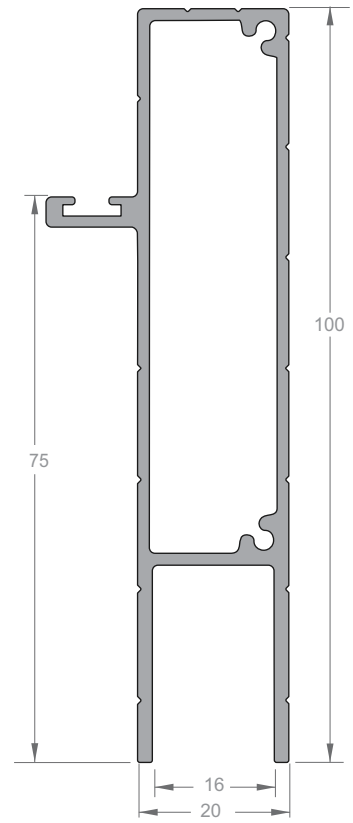
**DOOR FRAME**  
Part No JCG/7295



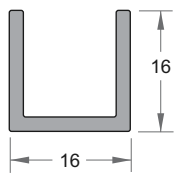
**HINGED DOOR ADAPTOR**  
J7467



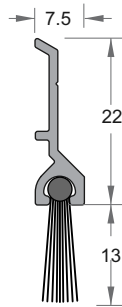
**HINGED DOOR BUILDOUT 54mm**  
J7465



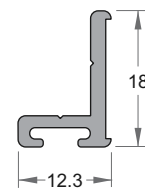
**HINGED DOOR BUILDOUT 75mm**  
J7466



**BASE CHANNEL**  
J7470



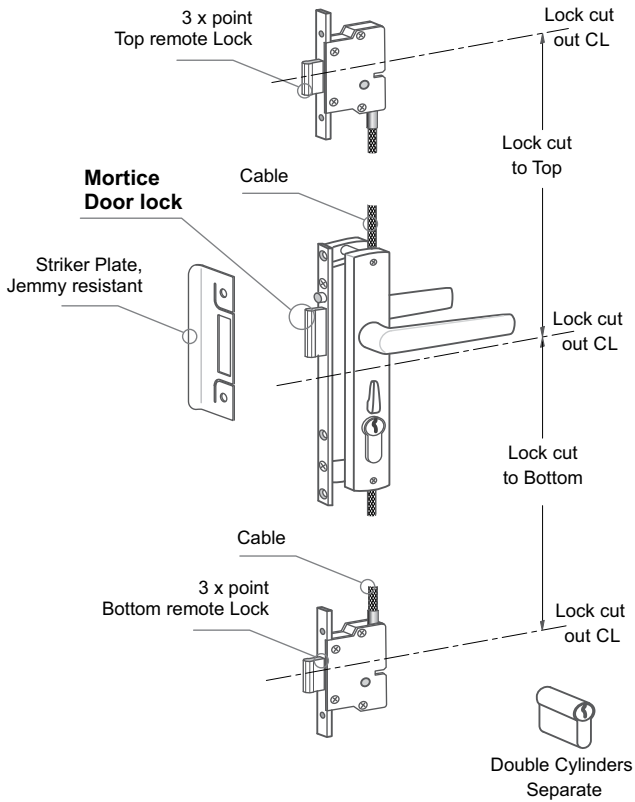
**DOOR SEAL**  
(with 13mm Mohair)  
JA186



**CLOSING ANGLE**  
J3737

# Juralco SupaScreen Security Door and Window Systems - Hinged Door Components

## Hinged Door Locks Elegance + Elegance HD14

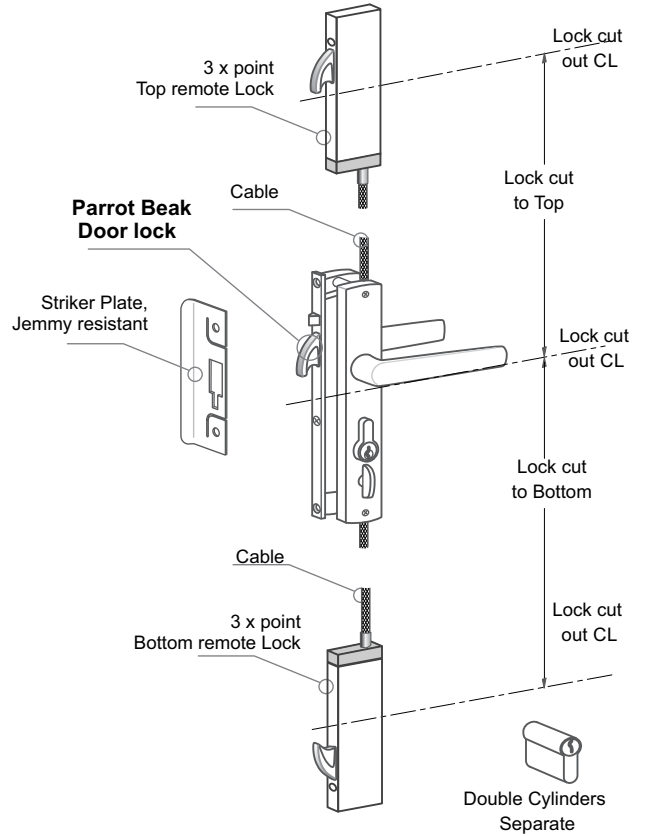


### Hinged Security Doors

- a - This lock can be used for RH or LH hinged doors
- b - Standard, Mortice, Centre only or Three point Lock Cable Drive, Top and Bottom Remote locks
- c - Available in three different center line combinations

Refer to instructions in kit for more information

## Hinged Door Locks Ultimate + Ultimate HD 16

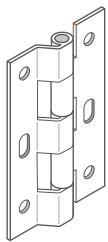


### Hinged Security Doors

- a - This lock can be used for RH or LH hinged doors
- b - Standard, Parrot beak, Centre only or Three point Lock Cable Drive, Top and Bottom Remote locks
- c - Available in three different center line combinations

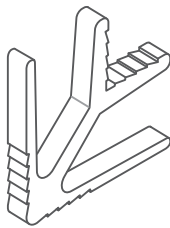
Refer to instructions in kit for more information

### Hinge JC242

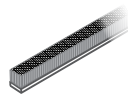


Available Zinc plated steel, or SS

### Staking Angle, Heavy Duty JC216

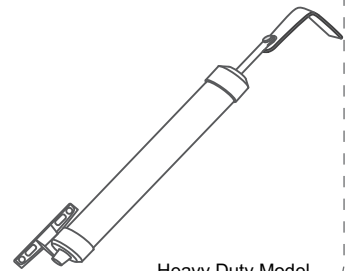


### Mohair Strip JC225



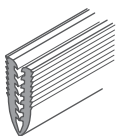
350mt Roll

### Door Closer JJMDCH



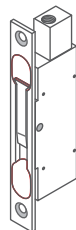
Heavy Duty Model

### Clearguard Plug JCGTape



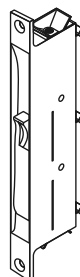
4mt Lengths

### Whitco Flush Bolt JJH203817 1 x 150mm Rod



For Double Hinged Doors - Black only

### Ausloc Double Flush Bolt 2 x 1500mm Rods



For Double Hinged Doors - Black only

### Snib Protector



JD100POLY  
230mm H  
x 110mm W

JD100  
290mm H  
x 144mm W  
White or SCC



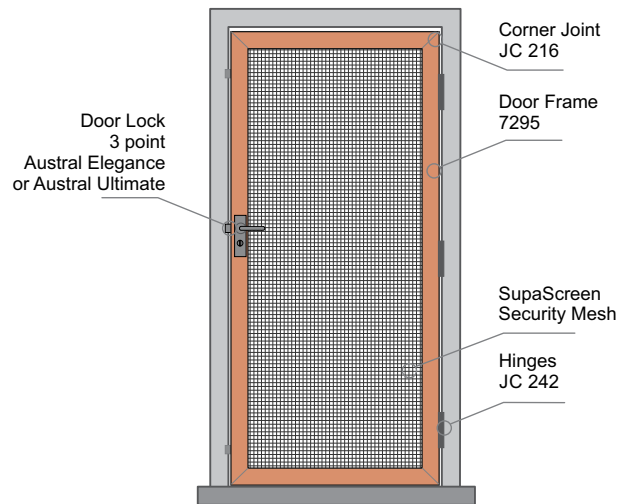
# Juralco SupaScreen Security Door and Window Systems - Hinged Door, General

## SupaScreen Hinged Door Recommendations

- 1 - **Frame** - Heavy duty Door Frame PN 7295
- 2 - **Corner Joints** - Use Heavy duty PN JC 216 corner stake .  
After assembling the frame the door should stay completely rigid.
- 3 - **Locks** - We recommend 3 point Austral Elegance or Austral Ultimate for higher security.
- 4 - **Hinges** - SupaScreen Security screen doors should be fitted with inter-locking security hinges to prevent removal of the door if the hinge pin is removed.  
Hinge pins should be peened at the top and bottom
- 5 - **Fasteners** - High strength, stainless steel rivets to be used for fastening corner stakes and hinges to frame.  
Size and application of rivets must allow no movement between parts. Stainless steel 8-gauge fixing screws can be used as an alternative. The heads of all fasteners must be concealed to restrict access from outside when the door is closed.

For reveal mounting only, on the interior or exterior.

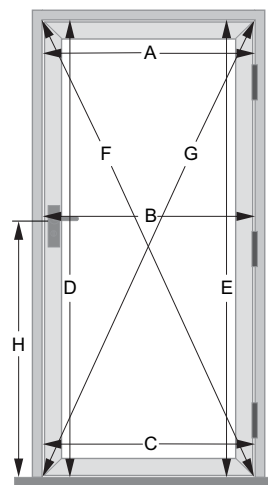
Note - This configuration can be used to add security to any Door opening. The frame and SupaScreen security mesh are lightweight and suitable for all environments.



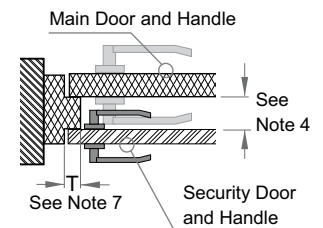
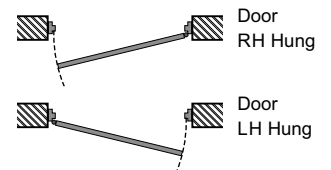
## SupaScreen Hinged Door Measuring

### Check list for measuring up a Security Door

- 1 - **Door frame opening width** to be measured at 3 points, A, B and C. Record smallest measurement as the daylight width opening. Check for any bow in jambs.
- 2 - **Door frame opening height** to be measured at 2 points, D and E. Record smallest measurement as the daylight height opening. Check for any bow in sill or step.
- 3 - **Door Frame Diagonals F and G** to be measured to assess squareness of frame.
- 4 - **Height of furniture H**, on main door to be measured to ensure no interference with security door handles. Also check on space between doors for handle clearance. Check protruding measurement of existing door handle to see there is still enough space (25mm) to fit the security door within the jamb. Note most aluminium hinged glass doors require a 7465 adaptor build out section.
- 5 - **Check** which way door is to be hung, RH or LH. Note most suitable side for security door to be hinged. Generally it is hinged the same as the ensitu door but in some applications access is better if the security door is hinged opposite to ensitu door.
- 6 - **Check** thickness of stop bead T. Stepped striker plates and hinge leaves have a step dimension of 12mm to mate with the stop bead. If the door does not have a suitably positioned stop bead then a 3737 closing angle will be required.
- 7 - **Check** around doorway to see there are no protruding fuse boxes or hanging lights to stop security door from fully opening.
- 8 - **Check** to see that there are no door knockers or door bells that may require relocating before security door could be installed.
- 9 - **Check** that the Supascreen security door will clear the door mat (mainly a problem in concrete floor / aluminium door installations).
- 10 - **Check** colour finish of security door and mesh.
- 11 - **Check** for any extras - automatic door closer ....

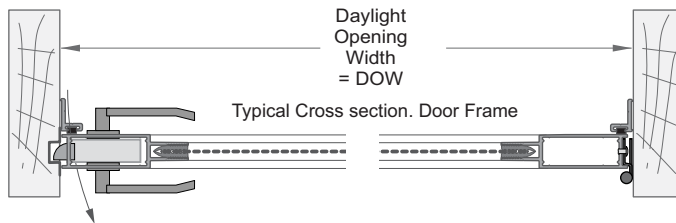
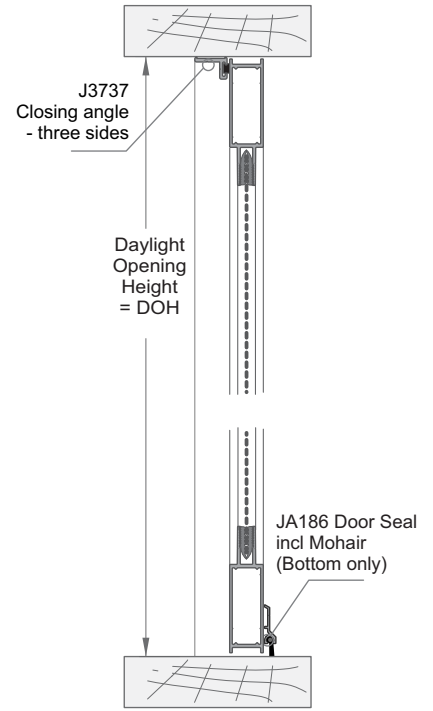
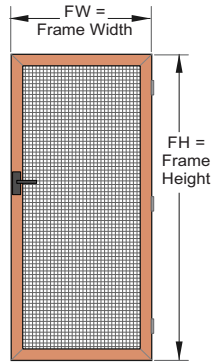
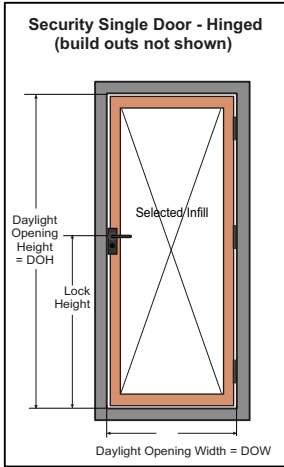


Door - 7 x Measure points



# Juralco Supascreen Security Door and Window Systems - Hinged Door, Cutting

Supascreen Single Hinged Door  
Reveal Mount



## SUPASCREEN SINGLE HINGED DOOR Reveal Mount

	HEIGHTS, WIDTHS	Part	Cutting Calc	No
1	Door Frame Height FH	JCG/7295	(DOH - 6) = FH	2
2	Closing Angle Height	J3737	DOH	2
3	Woolpile Height	JC225	DOH	2
1	Door Frame Width FW	JCG/7295	(DOW - 6) = FW	2
2	Closing Angle Width	J3737	DOW - 15	1
3	Woolpile Width	JC225	DOW - 15	1
1	Supascreen Panel Height	JCG/SS	FH - 111	1
2	Co-extruded Plug Height	JCG Tape	FH - 149	2
1	Supascreen Panel Width	JCG/SS	FW - 111	1
2	Co-extruded Plug Width	JCG Tape	FW - 149	2
3	Door seal incl Mohair Width	JA186	FW	1

## Components, always needed

	Description	Part	No
1	75mm Strong Hinge	JC242	3
2	Heavy Duty Corner Stake	JC216	4

**+ Security Hinged Door Locks**  
**(Identical for all Hinged Security Doors)**  
Choice of Austral Elegance, Austral Ultimate  
Whitco Tasman Mk2, Lockwood 8564  
Associated Cylinders, Multipoint Kits and  
Black, White, SCC as appropriate  
All as per Feb 2020 Price Book

Cutting calculations - These are a guide only, confirm before cutting  
Strongly Recommended - Allow +30mm per cut to allow for Trimming/Mitre  
cuts and on site adjustment



**JURALCO**

www.juralco.co.nz ph (09) 478 8018

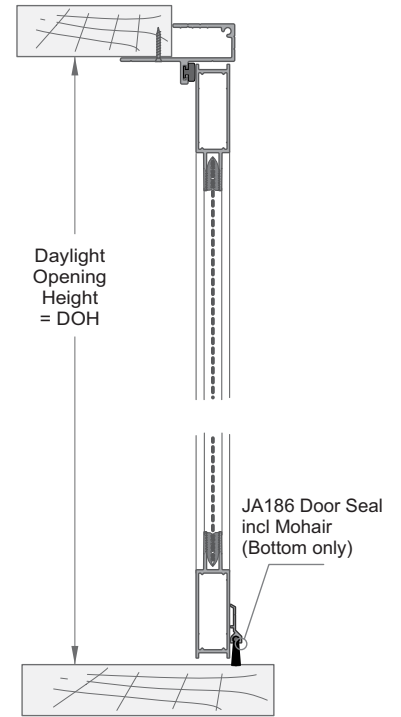
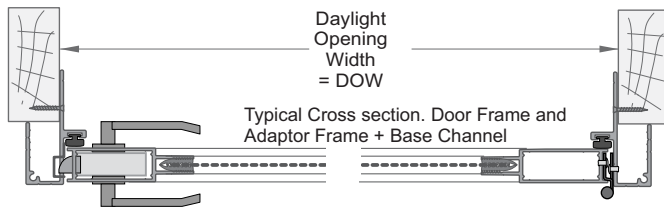
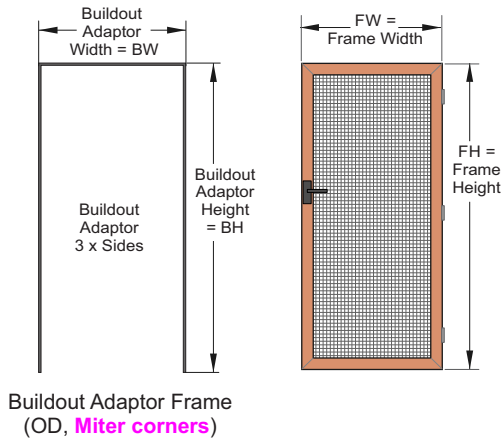
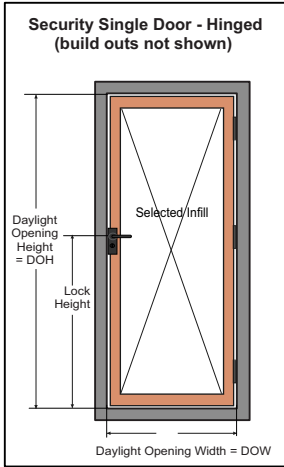
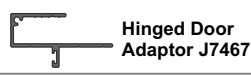
**Juralco Supascreen Security Door and Window Systems**

Issue 4-24 v1  
Page 14

# Juralco Supascreen Security Door and Window Systems - Hinged Door, Cutting

Supascreen Single Hinged Door + Adaptor

(B)



## SUPASCREEN SINGLE HINGED DOOR + Adaptor J7467 x 3 sides

## Components, always needed

	HEIGHTS, WIDTHS	Part	Cutting Calc	No
1	Buildout Adaptor Height BH	J7467	$(DOH + 20) = BH$	2
2	Woolpile Height	JC225	$DOH + 20$	2
3	Door Frame Height FH	JCG/7295	$(DOH - 8) = FH$	2
1	Buildout Adaptor Width BW	J7467	$(DOW - 40) = BW$	1
2	Woolpile Width	JC225	$DOW + 40$	1
3	Door Frame Width FW	JCG/7295	$(DOW - 12) = FW$	2

	Description	Part	No
1	75mm Strong Hinge	JC242	3
2	Heavy Duty Corner Stake	JC216	4

1	Supascreen Panel Height	JCG/SS	$FH - 111$	1
2	Co-extruded Plug Height	JCG Tape	$FH - 149$	2
1	Supascreen Panel Width	JCG/SS	$FW - 111$	1
2	Co-extruded Plug Width	JCG Tape	$FW - 149$	2
3	Door seal incl Mohair Width	JA186	$FW$	1

### + Security Hinged Door Locks

#### (Identical for all Hinged Security Doors)

Choice of Austral Elegance, Austral Ultimate Whitco Tasman Mk2, Lockwood 8564 Associated Cylinders, Multipoint Kits and Black, White, SCC as appropriate All as per Feb 2020 Price Book

Cutting calculations - These are a guide only, confirm before cutting  
Strongly Recommended - Allow +30mm per cut to allow for Trimming/Mitre cuts and on site adjustment



**JURALCO**

www.juralco.co.nz ph (09) 478 8018

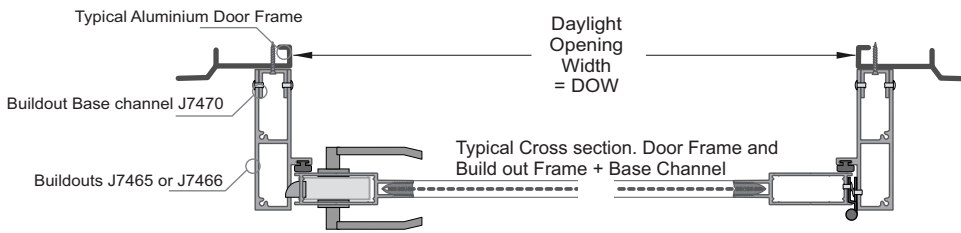
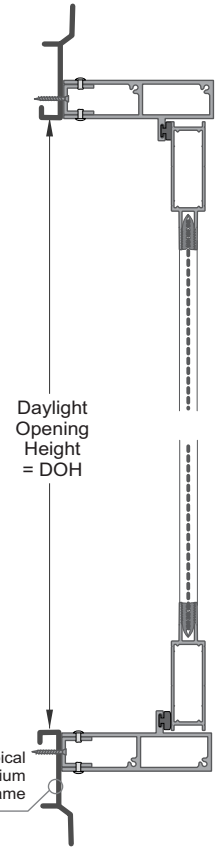
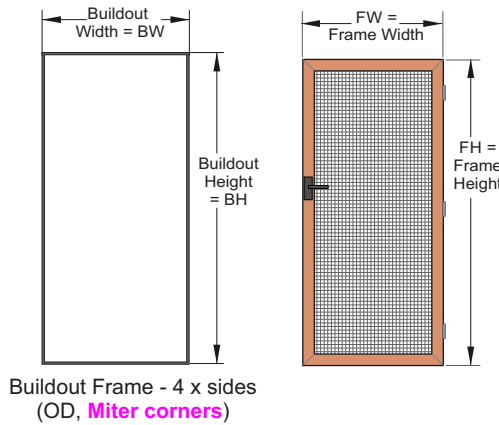
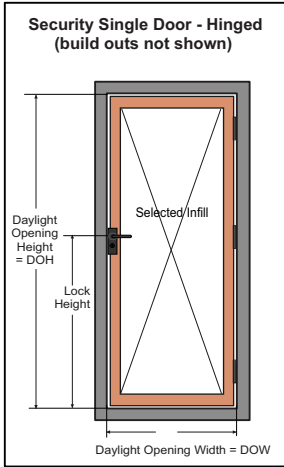
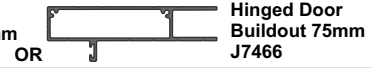
**Juralco Supascreen Security Door and Window Systems**

Issue 4-24 v1  
Page 15

# Juralco SupaScreen Security Door and Window Systems - Hinged Door Build Out, Cutting

Supascreen Single Hinged Door + Build outs

(C)  
(D)



## SUPASCREEN SINGLE HINGED DOOR + J7465 or J7466 Buildouts x 4 sides

HEIGHTS, WIDTHS		Part	Cutting Calc	No
1	Buildout Height BH	J7465, J7466	(DOH + 40) = BH	2
2	Woolpile Height	JC225	DOH + 40	2
3	Buildout Base channel Height	J7470	DOH	2
4	Door Frame Height FH	JCG/7295	DOH - 6 (=FH)	2
1	Buildout Width BW	J7465, J7466	(DOW + 40) = BW	2
2	Woolpile Width	JC225	DOW + 40	2
3	Buildout Base channel Width	J7470	DOW	2
4	Door Frame Width FW	JCG/7295	(DOW - 6) = FW	2

1	Supascreen Panel Height	JCG/SS	FH - 111	1
2	Co-extruded Plug Height	JCG Tape	FH - 149	2
1	Supascreen Panel Width	JCG/SS	FW - 111	1
2	Co-extruded Plug Width	JCG Tape	FW - 149	2

## Components, always needed

Description	Part	No
1 75mm Strong Hinge	JC242	3
2 Heavy Duty Corner Stake	JC216	4

## + Security Hinged Door Locks

(Identical for all Hinged Security Doors)

Choice of Austral Elegance, Austral Ultimate Whitco Tasman Mk2, Lockwood 8564 Associated Cylinders, Multipoint Kits and Black, White, SCC as appropriate  
All as per Feb 2020 Price Book

**Cutting calculations** - These are a guide only, confirm before cutting  
Strongly Recommended - Allow +30mm per cut to allow for Trimming/Mitre cuts and on site adjustment



**JURALCO**

www.juralco.co.nz ph (09) 478 8018

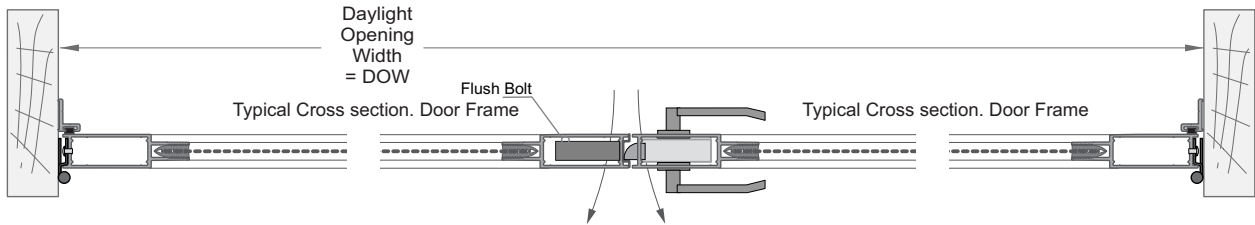
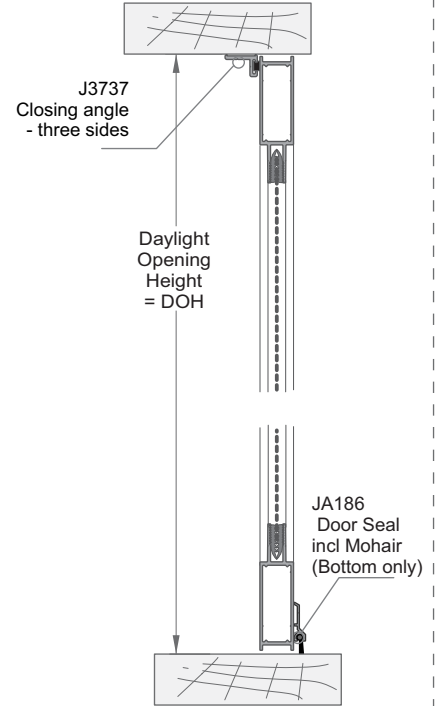
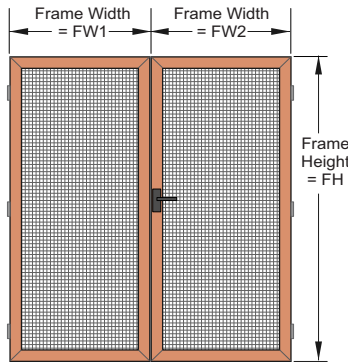
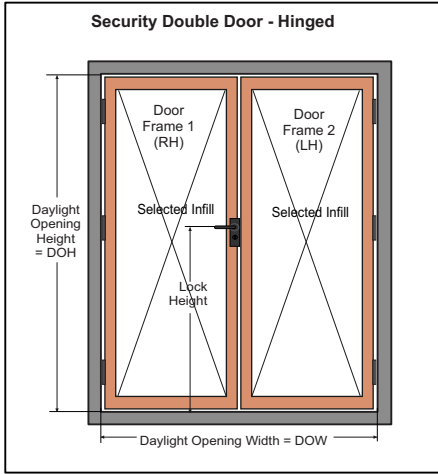
**Juralco SupaScreen Security Door and Window Systems**

Issue 4-24 v1  
Page 16



# Juralco Supascreen Security Door and Window Systems - Hinged Double Door, Cutting

Supascreen Double Hinged Door  
Reveal Mount



## SUPASCREEN DOUBLE HINGED DOOR Reveal Mount

Door Widths can be Equal or Unequal

	HEIGHTS, WIDTHS	Part	Cutting Calc	No
1	Door Frame Height FH	JCG/7295	DOH - 6 (=FH)	4
2	Closing Angle Height	J3737	DOH	2
3	Interlock Height	J9716	DOH	1
4	Woolpile Height	JC225	DOH	3
1	Door Frame Width <b>EQUAL</b>	JCG/7295	$(DOW-12)/2 = FW$	4
2	Door Frame Width <b>Unequal</b> FW1		Enter Width FW1	2
3	Door Frame Width <b>Unequal</b> FW2		$(DOW-FW1-12) = FW2$	2
4	Closing Angle Width	J3737	DOW-15	1
5	Woolpile Width	JC225	DOW-15	1

1	Supascreen Panel Height	JCG/SS	FH - 111	2
2	Co-extruded Plug Height	JCG Tape	FH - 149	4
1	Supascreen Panel Width	JCG/SS	FW - 111	2
2	Co-extruded Plug Width	JCG Tape	FW - 149	4
3	Door seal incl Mohair Width	JA186	FW	1

**Cutting calculations** - These are a guide only, confirm before cutting  
Strongly Recommended - Allow +30mm per cut to allow for Trimming/Mitre cuts and on site adjustment

## Components, always needed

	Description	Part No	No
1	75mm Strong Hinge	JC242	6
2	Heavy Duty Corner Stake	JC216	8
Select either Flushbolts			
3	Whitco Single Flushbolt	JJH203817	2
4	Austral Double Flushbolt, with Rods	JJMFlushbolt/BLK	1

## + Security Hinged Door Locks

### (Identical for all Hinged Security Doors)

Choice of Austral Elegance, Austral Ultimate  
Whitco Tasman Mk2, Lockwood 8564  
Associated Cylinders, Multipoint Kits and  
Black, White, SCC as appropriate  
All as per Feb 2020 Price Book



**JURALCO**

www.juralco.co.nz ph (09) 478 8018

**Juralco SupaScreen Security Door and Window Systems**

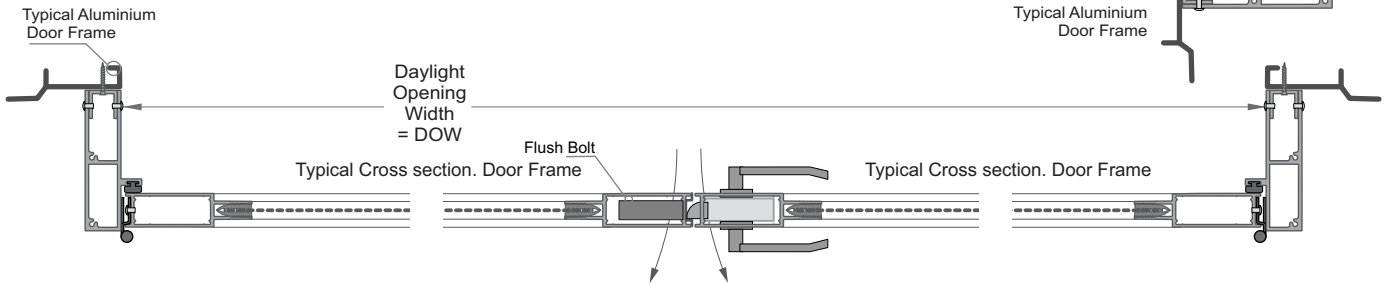
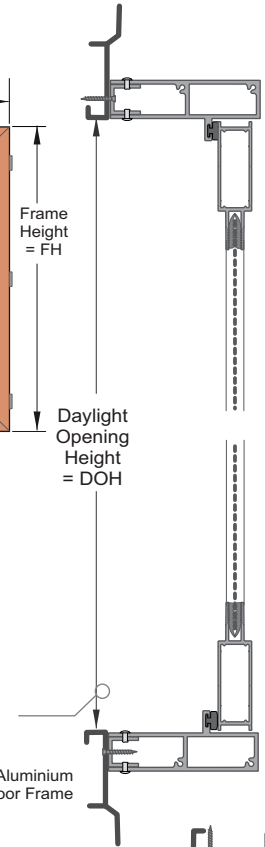
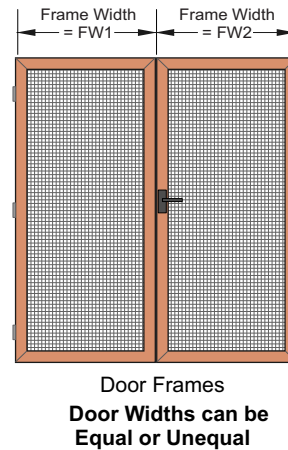
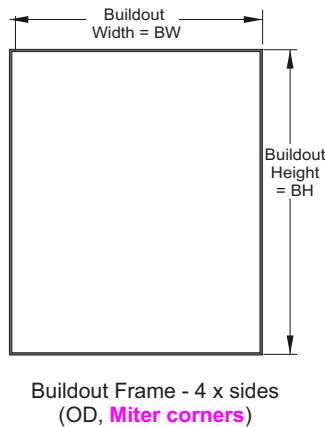
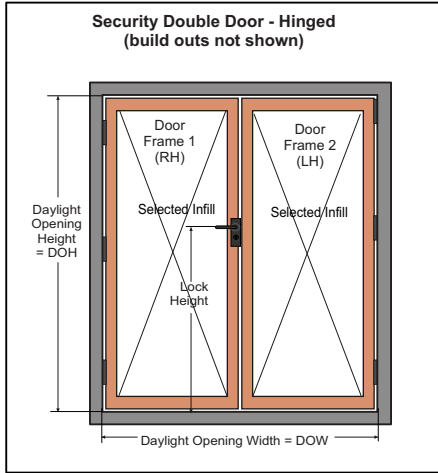
Issue 4-24 v1

Page 17

# Juralco Supascreen Security Door and Window Systems - Hinged Double Door, Cutting

Supascreen Double Hinged Doors+ Buildouts

(B)  
(C)



## SUPASCREEN DOUBLE HINGED DOORS + Buildouts J7465 or J7466 x 4 sides

Door Widths can be Equal or Unequal

HEIGHTS, WIDTHS	Part	Cutting Calc	No
1 Buildout Height BH	J7465 or J7466	(DOH + 40) =BH	2
2 Woolpile Height	JC225	DOH + 40	2
3 Buildout Base channel Height	J7470	DOH	2
4 Door Frame Height FH	JCG/7295	(DOH - 6)=FH	4
1 Buildout Width BW	J7465 or J7466	(DOW + 40) =BW	2
2 Woolpile Width	JC225	DOW + 40	2
3 Buildout Base channel Width	J7470	DOW	2
4 Door Frame Width <b>EQUAL</b>	JCG/7295	(DOW-12)/2 = FW	4
5 Door Frame Width <b>Unequal</b> FW1		Enter Width FW1	2
6 Door Frame Width <b>Unequal</b> FW2		(DOW-FW1-12) =FW2	2

1 Supascreen Panel Height	JCG/SS	FH - 111	1
2 Co-extruded Plug Height	JCG Tape	FH - 149	4
1 Supascreen Panel Width	JCG/SS	FW - 111	1
2 Co-extruded Plug Width	JCG Tape	FW - 149	4

## Components, always needed

Description	Part No	No
1 75mm Strong Hinge	JC242	6
2 Heavy Duty Corner Stake	JC216	8
Select either Flushbolts		
3 Whitco Single Flushbolt	JJH203817	2
4 Austral Double Flushbolt, with Rods	JJMFlushbolt/BLK	1

## + Security Hinged Door Locks

(Identical for all Hinged Security Doors)

Choice of Austral Elegance, Austral Ultimate Whitco Tasman Mk2, Lockwood 8564

Associated Cylinders, Multipoint Kits and

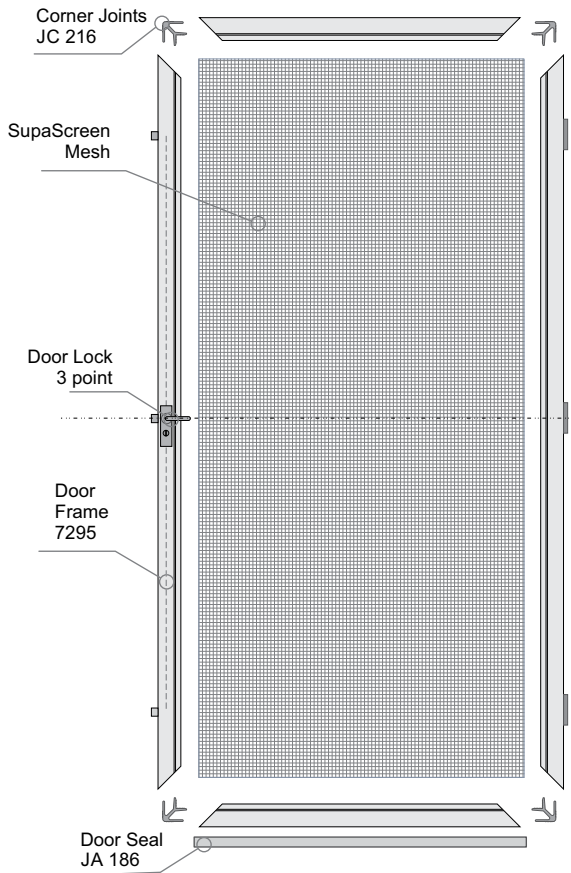
Black, White ,SCC as appropriate

All as per Feb 2020 Price Book

Cutting calculations - These are a guide only, confirm before cutting  
Strongly Recommended - Allow +30mm per cut to allow for Trimming/Mitre cuts and on site adjustment

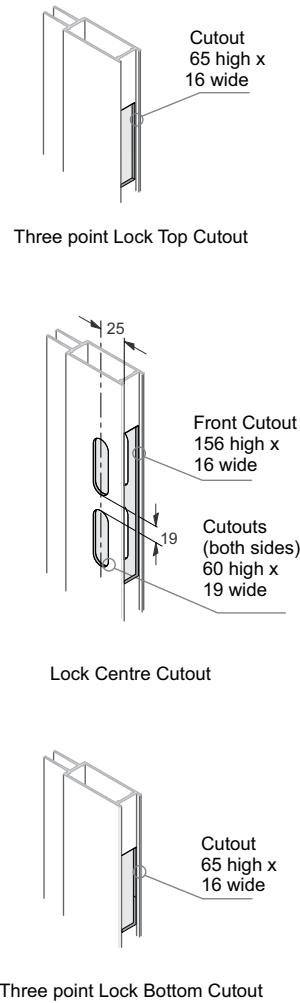
# Juralco SupaScreen Security Door and Window Systems - Hinged Door, Machining

## SupaScreen Hinged Door Machining

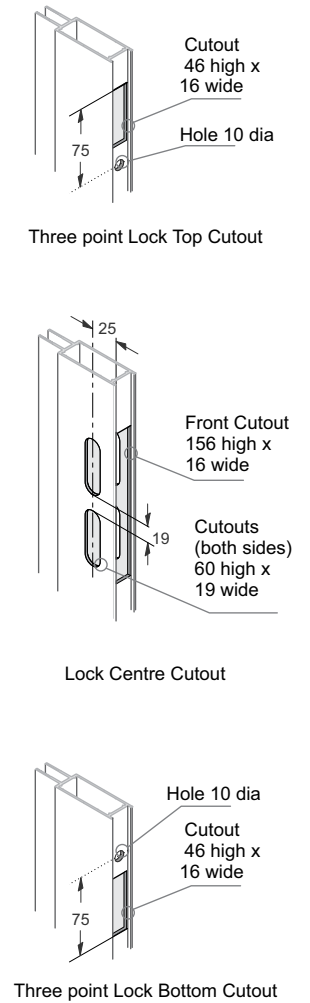


**Hinged Clearguard Security Doors - Lock Selection**  
 Centre only or Three point Lock, Cable Drive.  
 Mortice or Parrot Beak

## Elegance Door Frame Machining



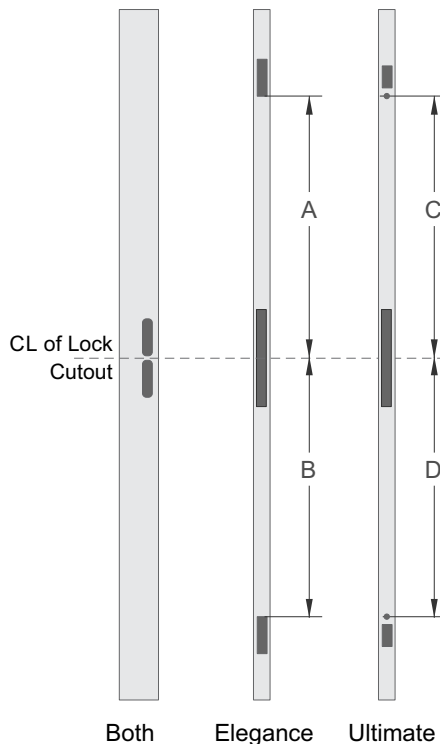
## Ultimate Door Frame Machining



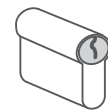
## Elegance, Ultimate Door Frame Machining Setouts

<b>Elegance, HD14</b>	A dim	B dim
Machining setouts	to Top	to Bottom
High centre Lock	682	826
Low Centre Lock	826	682
Pool Centre Lock	375	961
Set out tolerances all +/- 3mm		

<b>Ultimate, HD16</b>	C dim	D dim
Machining setouts	to Top	to Bottom
High centre Lock	610	790
Low Centre Lock	766	634
Pool Centre Lock	313	1079
Set out tolerances all +/- 3mm		



## Elegance, Ultimate Cylinders, Striker Plates



Double Cylinders  
 Ordered Separately

**Elegance, AA-C4**  
 5 pin double cylinder

**Ultimate, AA8-C4**  
 5 pin double cylinder  
 Ultimate Cylinders must include a cam stop spring

A range of different Striker Plates is available.  
 - 7 for the Elegance,  
 - 6 for the Ultimate.  
 Refer manufacturers catalog

## Juralco Supascreen Security Door and Window Systems - Hinged Doors - Installation

### Supascreen Hinged Door Installation

- 1 - Check door fits into reveal and the door has been made to site measurements.
- 2 - Lift the door with 3mm packer on step to give clearance at the bottom.
- 3 - Screw the top & bottom hinge to the reveal with 1 screw in the middle hole of the hinge.
- 4 - Check the door swings correctly and fits into the reveal. If the door catches on the handle/lock side, check the hinges into the reveal.
- 5 - Screw the striker plate to the reveal in line with the door lock.
- 6 - Use a 3mm twist drill to drill out the rebate for the lock.  
Chisel the remainder of the timber out of the lock rebate.
- 7 - Screw the closing angle onto the reveal when the door is closed.  
If the closing angle catches the door handle, the closing angle will need to be cut away to clear the handle.
- 8 - Paint the exposed edge with the appropriate colour.
- 9 - Always clean off all fingermarks, leave the site clean and tidy.

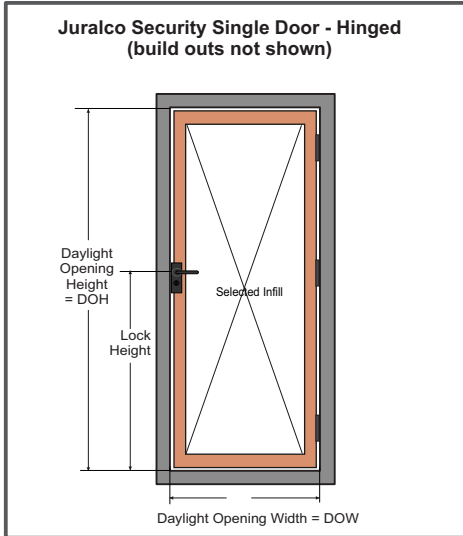
### Supascreen Hinged Door Build out Installation

- 1 - The Adaptor box is manufactured and installed first; the security door is then hung from it.
- 2 - Check the door is the correct size for the application.
- 3 - Measure the internal width of the build out frame to determine the size and setout for the base channel brackets (BCB).
- 4 - The BCB (8 per door) are screwed to the existing door frame. 1 x each Top and Bottom, 3 x each side in line with the hinges / locking points. Fixing may be from the outside or inside depending on the existing aluminium joinery door frame.  
Note: In some situations, the house door may have to be removed from the hinges (knock out hinge pins)
- 5 - Slide the build out frame over the 8 x BCB and position it so that the existing door opens and closes easily.
- 6 - The door must fit evenly within the build out frame, ie. the door should have the same gaps top and bottom, and an even gap on the handle side. Open the door and, working from the inside, use 6g x 12mm pan s/s screws to fix the build out frame to each of the 8 x BCB. Alternatively, pop rivets can be used.
- 7 - Check the door operates correctly, including the handle and lock.
- 8 - Always clean off all fingermarks, leave the site clean and tidy.



Supascreen Single Door Hinged		SD#
Customer		
Order No	Date	
WO Juralco	SO Juralco	\$ Juralco
Select/Enter Dimensions below. Enter details/selections into all boxes. Then scan and send to <a href="mailto:sales@juralco.co.nz">sales@juralco.co.nz</a>		

This Order Form - Supascreen Single Door, Hinged only.



1 Enter Location

Enter Sizes	Dimensions mm	Daylight OH	Daylight OW	Max DOH, DOW - Height 2490mm - Width 1275mm

2 Duralloy  Duralloy Plus  Duratec  OR Select Anodising

Select Finish  Specify PC Colour and Code

Natural   
Bronze

3 Select Buildouts, Options

(A) <input type="checkbox"/> None  (B) <input type="checkbox"/> J7465 Buildout 4 x Sides  (C) <input type="checkbox"/> J7466 Buildout 4 x Sides  (D) <input type="checkbox"/> J7467 Adaptor Sides and Top	Select options	JD100 Snib Protector	No	Poly	White	SCC
	Door Lock Punching	No	Yes	Height	LH(shown)	RH
	Hinge JC242 Finish	SS	White	Black	SCC	
	Heavy Duty Door Closer	No	White	Black		

4 Elegance Lock Options

Lock Finish	White	Black	SCC	Multi Point Kits	High	Low	Pool	Wide Strike Plate	No	Yes
C4 Cylinders	46mm Wafer Random	5 pin Random 64mm Key	5 pin Keyed alike	6 pin Keyed alike	LH Thumb Turn, Random	RH Thumb Turn, Random				

5 Ultimate Lock Options

Lock Finish	Black	SCC	Multi Point Kits	High	Low

6 Whitco Tasman Mk2 Lock Options

Lock Finish	White	Black	Lock Cylinders	Random Key	Keyed Alike	Extra Wide Strike Plate	No	Yes	Anti Jemmy Kit	No	Yes

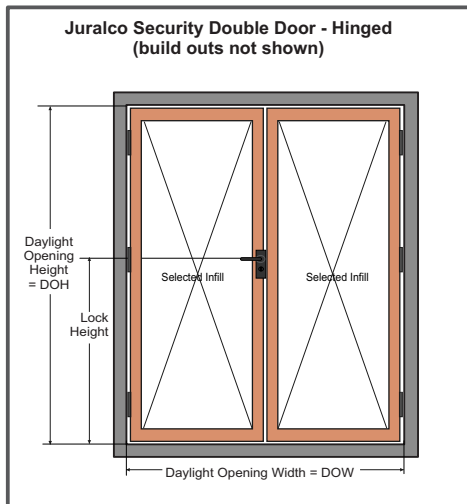
7 Lockwood 8654 Lock Options

Lock Finish	White	Black	Lock Cylinders	Random Key	Keyed Alike	Extra Wide Strike Plate	No	Yes	Standard 3 Point Kit	No	Yes

8 Remarks

<h1>Supascreen Double Door Hinged</h1>		<b>SD#</b>
Customer		
Order No	Date	
<b>WO</b> Juralco	<b>SO</b> Juralco	<b>\$</b> Juralco
Select/Enter Dimensions below. Enter details/selections into all boxes. Then scan and send to <a href="mailto:sales@juralco.co.nz">sales@juralco.co.nz</a>		

**This Order Form - Supascreen Double Door, Hinged only.**



1 Enter Location

Enter Sizes	Dimensions mm	Daylight OH	Daylight OW	<b>Max DOH, DOW</b> - Height 2490mm - Width 2530mm

2 Duralloy  Duralloy Plus  Duratec  OR Select Anodising

Select Finish  **Specify PC Colour and Code**

Natural   
Bronze

3 Select Buildouts, Options

(A)	None <input type="checkbox"/>	Select options				
(B)	<b>J7465 Buildout 4 x Sides</b> <input type="checkbox"/>	JD100 Snib Protector	No	Poly	White	SCC
(C)	<b>J7466 Buildout 4 x Sides</b> <input type="checkbox"/>	Door Lock Punching	No	Yes	Height	LH or RH Frame
		Hinge JC242 Finish	SS	White	Black	SCC
		Heavy Duty Door Closer	No	White	Black	
		Narrow Strike Plate	NA	Yes		
		Whitco Flush Bolts	Singles x 2	Double		

4 Elegance Lock Options

Lock Finish	White	Black	SCC	Multi Point Kits	High	Low	Pool	Strike Plate	NA	Narrow	Wide
<b>C4 Cylinders</b>	46mm Wafer Random	5 pin Random 64mm Key	5 pin Keyed alike	5 pin Keyed alike	6 pin Keyed alike			LH Thumb Turn, Random		RH Thumb Turn, Random	

5 Ultimate Lock Options

Lock Finish	Black	SCC	Multi Point Kits	High	Low
-------------	-------	-----	------------------	------	-----

6 Whitco Tasman Mk2 Lock Options

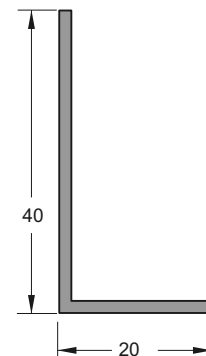
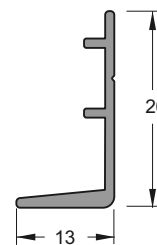
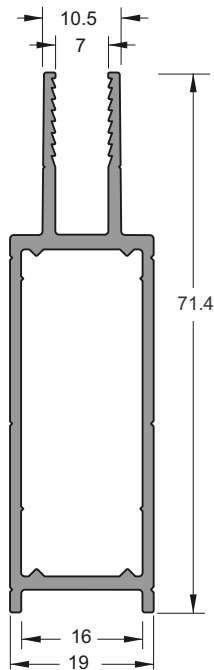
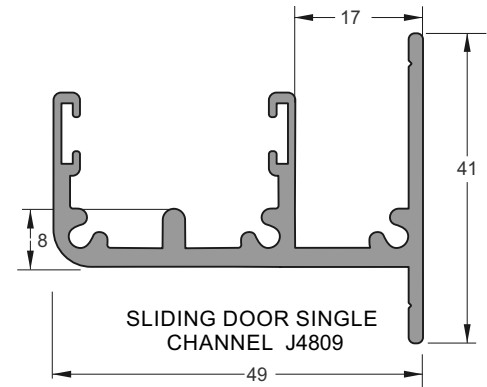
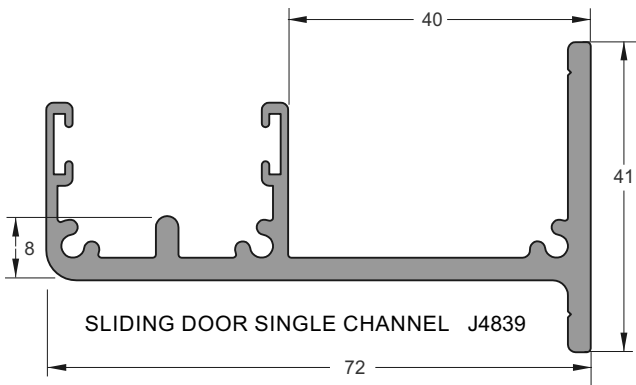
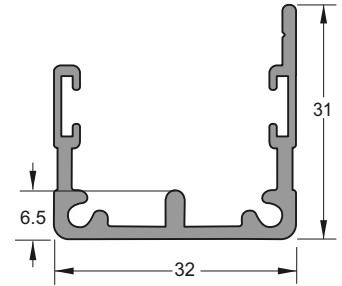
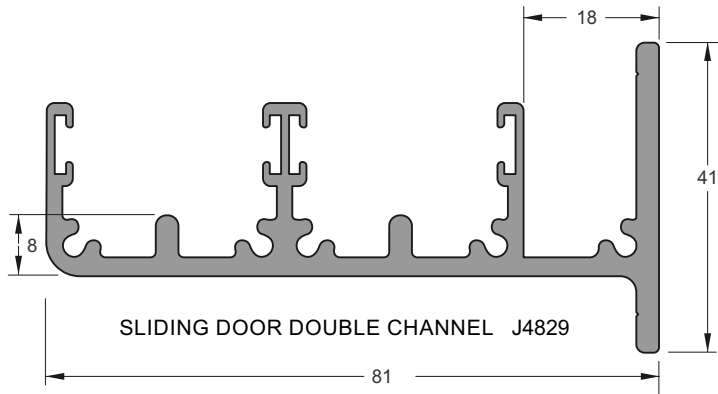
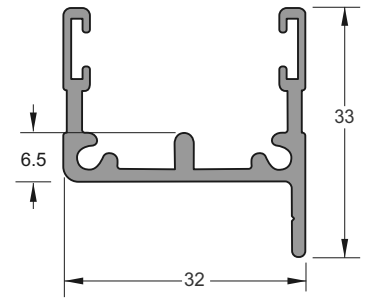
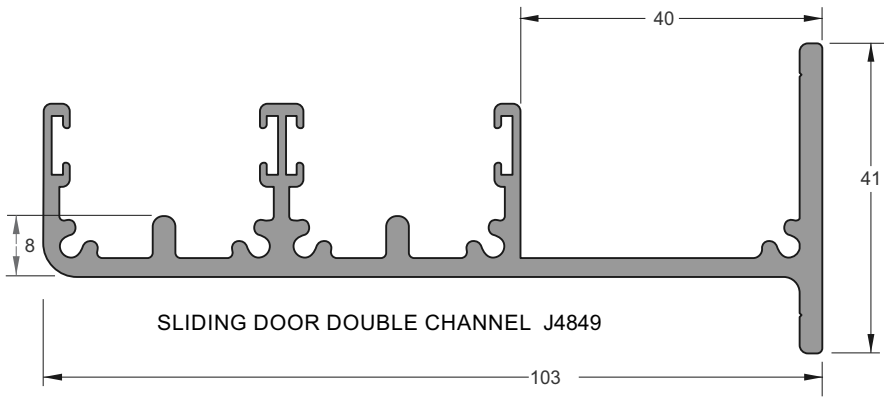
Lock Finish	White	Black	Lock Cylinders	Random Key	Keyed Alike	Extra Wide Strike Plate	No	Yes	Anti Jemmy Kit	No	Yes
-------------	-------	-------	----------------	------------	-------------	-------------------------	----	-----	----------------	----	-----

7 Lockwood 8654 Lock Options

Lock Finish	White	Black	Lock Cylinders	Random Key	Keyed Alike	Extra Wide Strike Plate	No	Yes	Standard 3 Point Kit	No	Yes
-------------	-------	-------	----------------	------------	-------------	-------------------------	----	-----	----------------------	----	-----

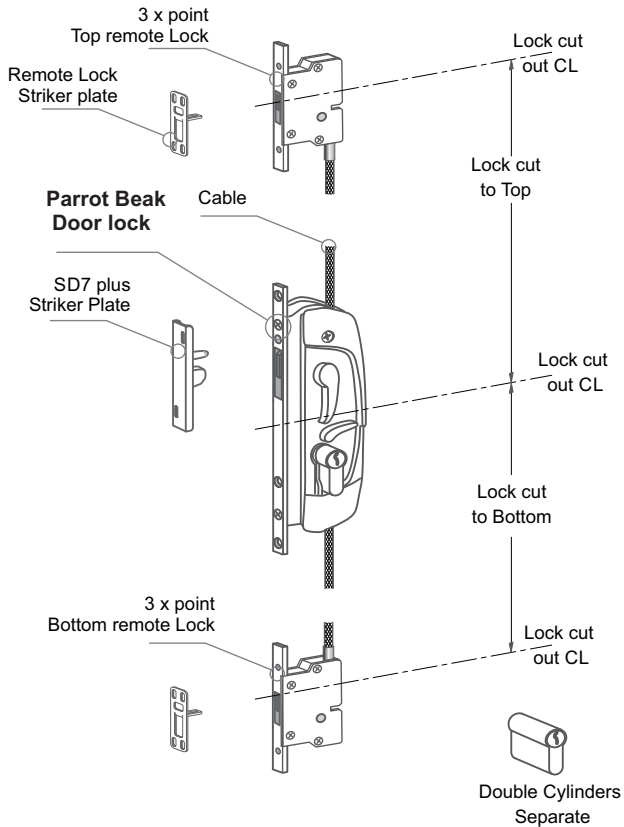
8 Remarks

Juralco SupaScreen Security Door and Window Systems - Sliding Door Extrusions



# Juralco SupaScreen Security Door and Window Systems - Sliding Door Components

## Sliding Door Locks SD7Plus + SD14Plus Kit



### Sliding Security Doors - Lock Selection

- a - This lock can be used for RH or LH sliding doors .
- b - Standard, Three\_point Lock - including Parrot Beak Door Lock, Cable Drive, Top and Bottom Remote Parrot beak locks
- c - Available in four different CL combinations

Refer Austral Catalog for more information

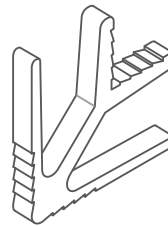
## Nylon End Stop JC203



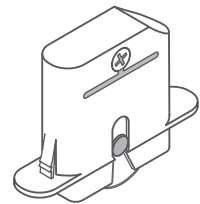
## Door Stop JP2306



## Staking Angle, Heavy Duty JC216



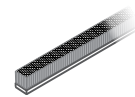
## Kwikfit Roller JC206



## Patio Bolt JJH22063

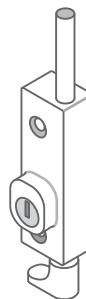


## Mohair Strip JC225



350mt Roll

## Patio Bolt JJM316B



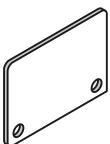
Black only

## Patio Bolt JM283

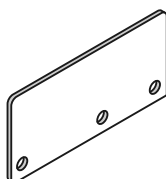


## Security Door Sliding Track End Caps

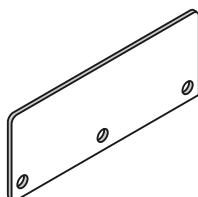
All attach with, screws  
2 x JVBSCREW/10x6



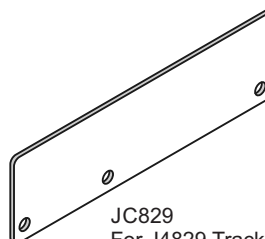
JC458  
For J4558, J4559 Tracks



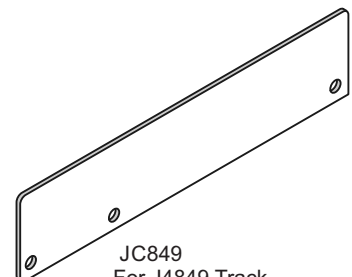
JC809  
For J4809 Track



JC839  
For J4839 Track



JC829  
For J4829 Track



JC849  
For J4849 Track



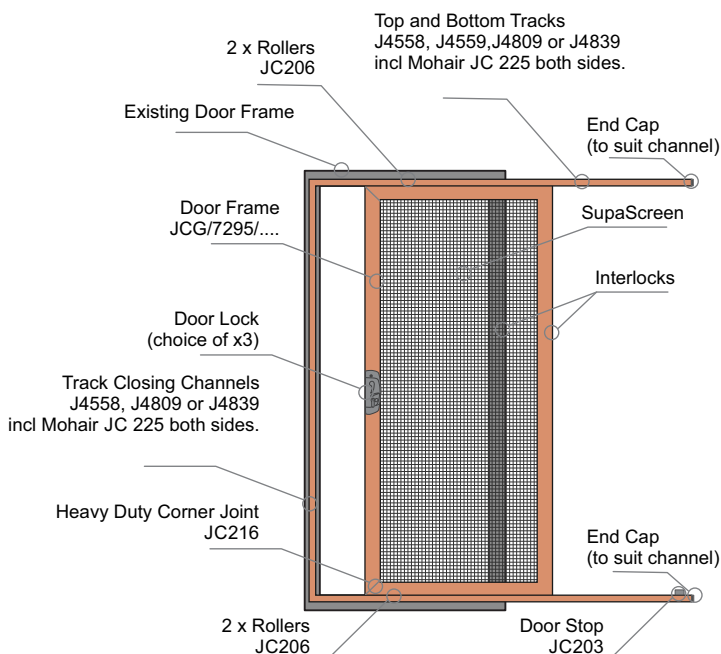
## Juralco SupaScreen Security Door and Window Systems - Single Sliding Door, General

### SupaScreen Sliding Door Recommendations

- 1 - **Frame** - Heavy duty Door Frame PN JCG/7295/....
- 2 - **Corner Joints** - JC 216 attach all corners .  
After assembling the frame the door should stay completely rigid.
- 3 - **Security Grille** - SupaScreen SS Mesh.
- 4 - **Lock** - Choice of Austral SD7, SD8 or Whitco Liechardt
- 5 - **Inter locker** -The two piece interlock system securely locks the back edge of the sliding security door to the existing mullion.
- 6 - **Fasteners** - High strength, stainless steel rivets to be used for fastening corner stakes and hinges to frame. Size and application of rivets must allow no movement between parts. Stainless 8-gauge fixing screws can be used as an alternative. The heads of all fasteners must be concealed to restrict access from outside when the door is closed.

For face mounting, on the exterior only.

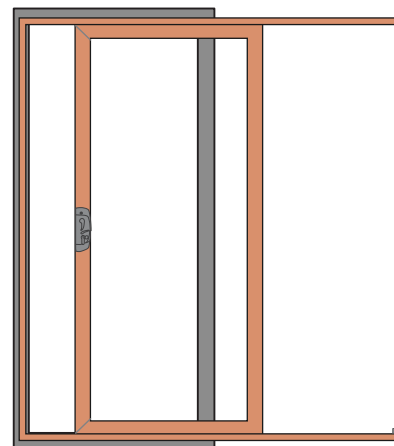
Note - This configuration can be used to add security to any Door opening. The frame and Supascreen security mesh are lightweight and suitable for all environments.



### SupaScreen Sliding Door Measuring

#### Check list for measuring up a Security Door

- 1 - **Select Track**  
Choose J4809 or J4559 32mm Trackl for a normal Door, or J4809 (49mm) or J4839 (72mm) Tracks if an offset is needed or opening a sash window on existing slider.
- 2 - **Fixing Method** - Determine method of fixing Track to face of existing joinery. Is there sufficient fixing or is a box section or angle pocket required.
- 3 - **Frame** - Track On 3 x Sides
- 4 - **Track Setout** - Determine actual fixing position of Track by using extrusion offcut, locate, mark and measure for overall height and width of Tracks.
- 5 - **Track Height Setout**  
When installing the door, use the height adjustment to locate the Door Frame to the Top/Botteom Tracks
- 6 - **Track Width Setout**  
To determine width of Door Frame.  
Care must be taken when measuring to determine:
  - (i) Interlock JA128 position on Joinery
  - (ii) Ensure that the Interlock chosen locates securely into the J9719 Female Interlock when the Door Frame is in the locked position. This is the critical factor in determining the actual width of the SDP
  - (iii) Determine points (i) & (ii) & using offcut extrusion mark & measure width accordingly.
- 7 - **Check** around doorway to see there are no protruding fuse boxes or hanging lights to stop security door from fully opening.
- 8 - **Check** to see that there are no door knockers or door bells that may require relocating before security door could be installed.
- 9 - **Check** colour finish of SupaScreen door. .



# Juralco SupaScreen Security Door and Window Systems - Sliding Door, Cutting

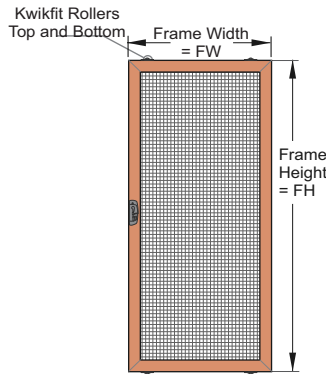
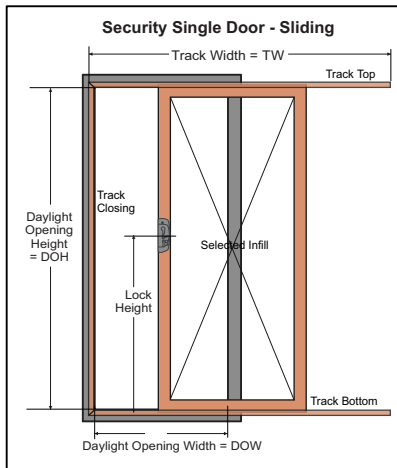
Supascreen Single Sliding Door

(A)

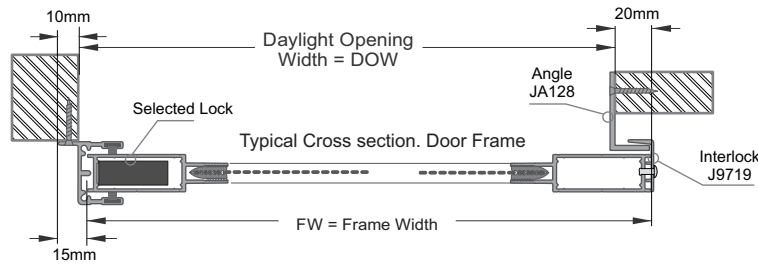
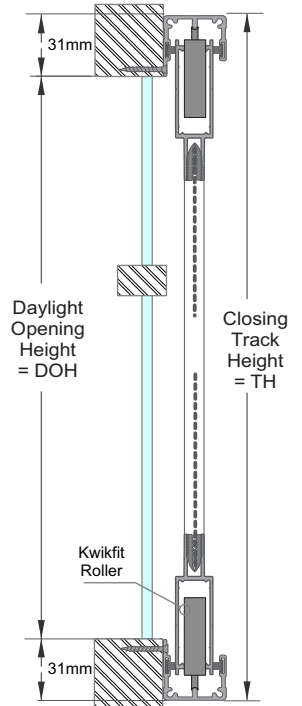
Door Frame JCG/7295

J4558 Track Closing

J4559 Track Top and Bottom



Door Frame



## SUPASCREEN SINGLE SLIDING DOOR Tracks J4558/J4559

## Components, always needed

	HEIGHTS, WIDTHS	Part	Cutting Calc	No
1	Closing Track Height TH	J4558	$(DOH + 62) = TH$	1
2	Woolpile Height	JC225	TH	2
3	Door Frame Height FH	JCG/7295	$(DOH + 37) = FH$	2
1	Track Width	J4559	Enter Width = TW	2
2	Woolpile Width	JC225	TW	4
3	Door Frame Width FW	JCG/7295	$(DOW + 5) = FW$	2

	Description	Part No	No
1	Kwikfit Roller	JC206	4
2	Corner Stake HD	JC216	4
3	Track End Cap	JC458	2
4	Track End Stop	JC203	1

1	Supascreen Panel Height	JCG/SS	FH - 110	1
2	Co-extruded Plug Height	JCG Tape	FH - 150	2
3	Door Interlock Height	J9719	FH	2
4	Wall Interlock Angle Height	JA128	FH	2
2	Supascreen Panel Width	JCG/SS	FW - 110	1
3	Co-extruded Plug Width	JCG Tape	FW - 150	2

### + Security Sliding Door Locks

Choice of Austral Murray SD7, SD8 or Whitco Liechardt.

Associated Cylinders, Multipoint Kits and Black, White, SCC finishes for SD7, SD8  
All as per Feb 2020 Price Book

**Cutting calculations** - These are a guide only, confirm before cutting  
Strongly Recommended - Allow +30mm per cut to allow for Trimming/Mitre cuts and on site adjustment

# Juralco SupaScreen Security Door and Window Systems - Sliding Door, Cutting

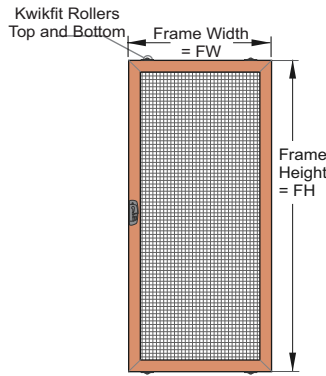
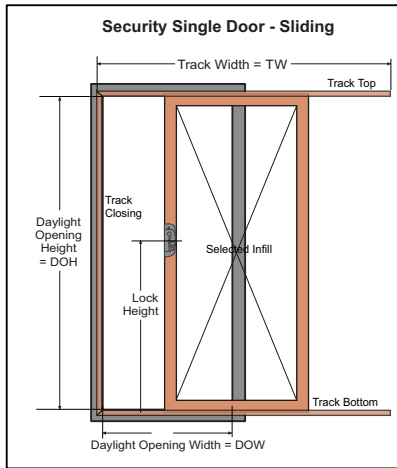
Supascreen Single Sliding Door

(B)

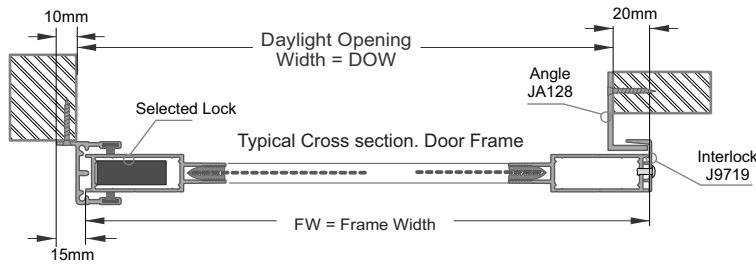
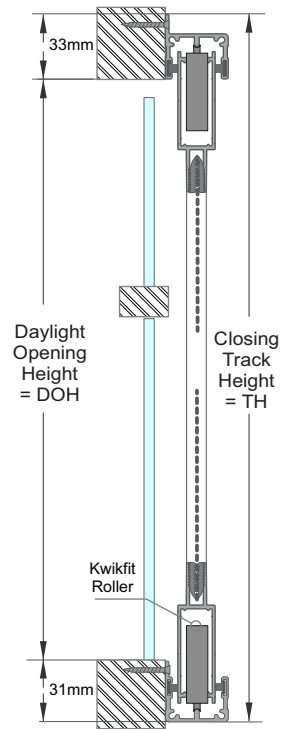
Door Frame JCG/7295

J4558 Track Top and Closing

J4559 Track Bottom



Door Frame



## SUPASCREEN SINGLE SLIDING DOOR Tracks J4558/J4559

## Components, always needed

	HEIGHTS, WIDTHS	Part	Cutting Calc	No
1	Closing Track Height TH	J4558	$(DOH + 64) = TH$	1
2	Woolpile Height	JC225	TH	2
3	Door Frame Height FH	JCG/7295	$(DOH + 37) = FH$	2
1	Track Width	J4559	Enter Width = TW	2
2	Woolpile Width	JC225	TW	4
3	Door Frame Width FW	JCG/7295	$(DOW + 5) = FW$	2

	Description	Part No	No
1	Kwikfit Roller	JC206	4
2	Corner Stake HD	JC216	4
3	Track End Cap	JC458	2
4	Track End Stop	JC203	1

1	Supascreen Panel Height	JCG/SS	FH - 110	1
2	Co-extruded Plug Height	JCG Tape	FH - 150	2
3	Door Interlock Height	J9719	FH	2
4	Wall Interlock Angle Height	JA128	FH	2
2	Supascreen Panel Width	JCG/SS	FW - 110	1
3	Co-extruded Plug Width	JCG Tape	FW - 150	2

### + Security Sliding Door Locks

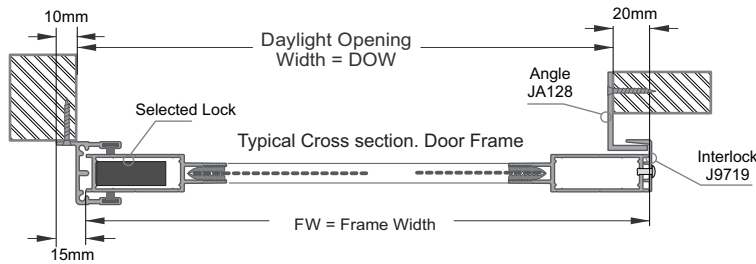
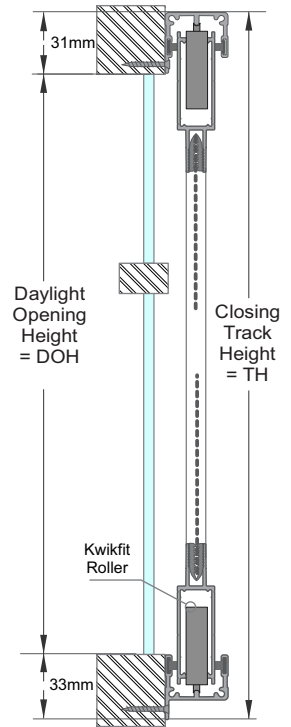
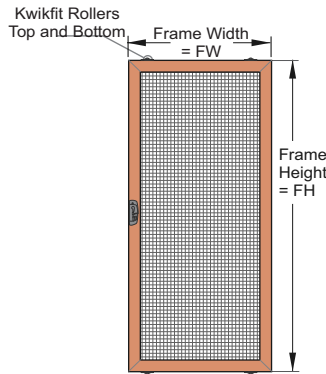
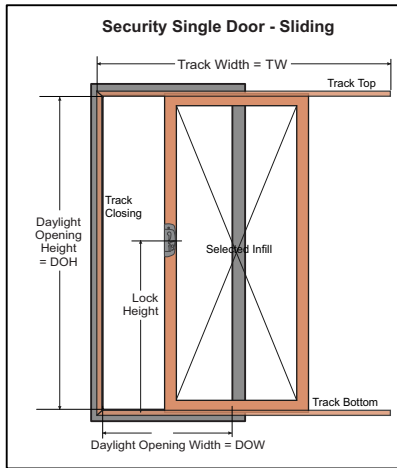
Choice of Austral Murray SD7, SD8 or Whitco Liechardt.

Associated Cylinders, Multipoint Kits and Black, White, SCC finishes for SD7, SD8 All as per Feb 2020 Price Book

Cutting calculations - These are a guide only, confirm before cutting  
Strongly Recommended - Allow +30mm per cut to allow for Trimming/Mitre cuts and on site adjustment

# Juralco SupaScreen Security Door and Window Systems - Sliding Door, Cutting

Supascreen Single Sliding Door



## SUPASCREEN SINGLE SLIDING DOOR Tracks J4558/J4559

## Components, always needed

	HEIGHTS, WIDTHS	Part	Cutting Calc	No
1	Closing Track Height TH	J4558	$(DOH + 64) = TH$	1
2	Woolpile Height	JC225	TH	2
3	Door Frame Height FH	JCG/7295	$(DOH + 37) = FH$	2
1	Track Width TW	J4559	Enter Width = TW	1
2	Track Width TW	J4558		1
3	Woolpile Width	JC225	TW	4
4	Door Frame Width FW	JCG/7295	$(DOW + 5) = FW$	2

	Description	Part No	No
1	Kwikfit Roller	JC206	4
2	Corner Stake HD	JC216	4
3	Track End Cap	JC458	2
4	Track End Stop	JC203	1

1	Supascreen Panel Height	JCG/SS	FH - 110	1
2	Co-extruded Plug Height	JCG Tape	FH - 150	2
3	Door Interlock Height	J9719	FH	2
4	Wall Interlock Angle Height	JA128	FH	2
2	Supascreen Panel Width	JCG/SS	FW - 110	1
3	Co-extruded Plug Width	JCG Tape	FW - 150	2

### + Security Sliding Door Locks

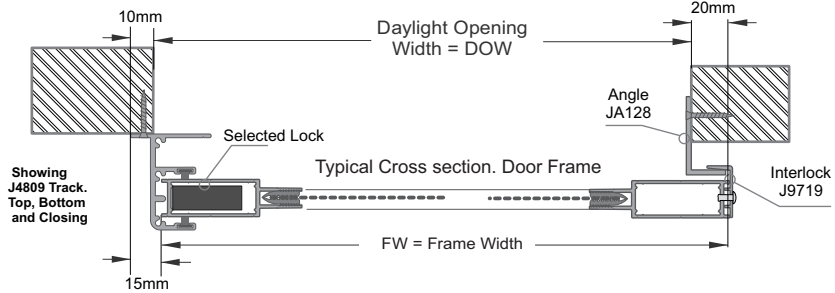
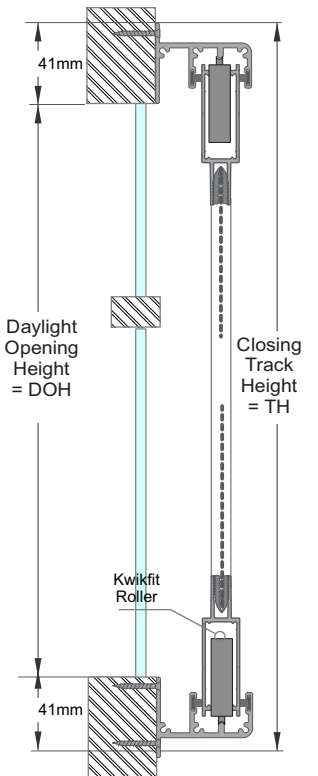
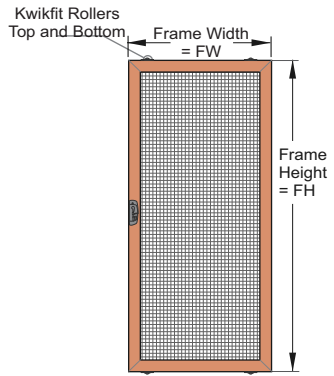
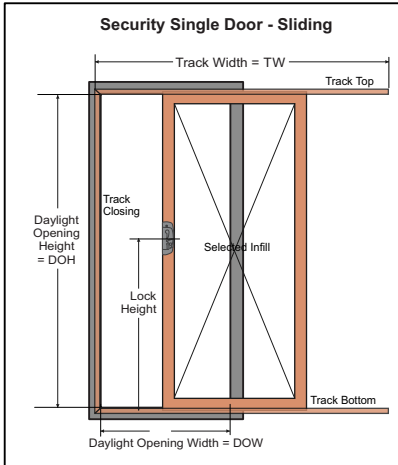
Choice of Austral Murray SD7, SD8 or Whitco Liechardt.

Associated Cylinders, Multipoint Kits and Black, White, SCC finishes for SD7, SD8 All as per Feb 2020 Price Book

**Cutting calculations** - These are a guide only, confirm before cutting  
Strongly Recommended - Allow +30mm per cut to allow for Trimming/Mitre cuts and on site adjustment

# Juralco SupaScreen Security Door and Window Systems - Sliding Door, Cutting

Supascreen Single Sliding Door D E  **Door Frame JCG/7295**  **J4809 Track Top, Bottom and Closing** **OR**  **J4839 Track Top, Bottom and Closing**



## SUPASCREEN SINGLE SLIDING DOOR Tracks J4809 or J4839

	HEIGHTS, WIDTHS	Part	Cutting Calc	No
1	Closing Track Height TH	J4809 or J4839	$(DOH + 82) = TH$	1
2	Woolpile Height	JC225	TH	2
3	Door Frame Height FH	JCG/7295	$(DOH + 37) = FH$	2
1	Track Width TW	J4809 or J4839	Enter Width = TW	1
2	Woolpile Width	JC225	TW	4
3	Door Frame Width FW	JCG/7295	$(DOW + 5) = FW$	2

1	Supascreen Panel Height	JCG/SS	FH - 110	1
2	Co-extruded Plug Height	JCG Tape	FH - 150	2
3	Door Interlock Height	J9719	FH	2
4	Wall Interlock Angle Height	JA128	FH	2
2	Supascreen Panel Width	JCG/SS	FW - 110	1
3	Co-extruded Plug Width	JCG Tape	FW - 150	2

**Cutting calculations** - These are a guide only, confirm before cutting  
 Strongly Recommended - Allow +30mm per cut to allow for Trimming/Mitre cuts and on site adjustment

## Components, always needed

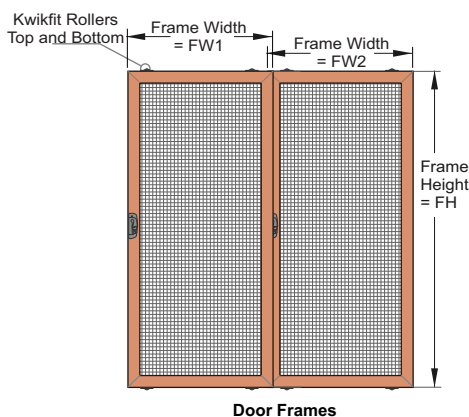
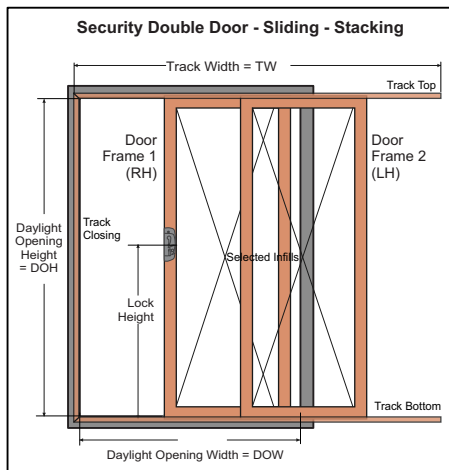
	Description	Part No	No
1	Kwikfit Roller	JC206	4
2	Corner Stake HD	JC216	4
3	Track End Cap	JC458	2
4	Track End Stop	JC203	1

**+ Security Sliding Door Locks**  
 Choice of Austral Murray SD7, SD8 or Whitco Liechardt.  
 Associated Cylinders, Multipoint Kits and Black, White, SCC finishes for SD7, SD8  
 All as per Feb 2020 Price Book

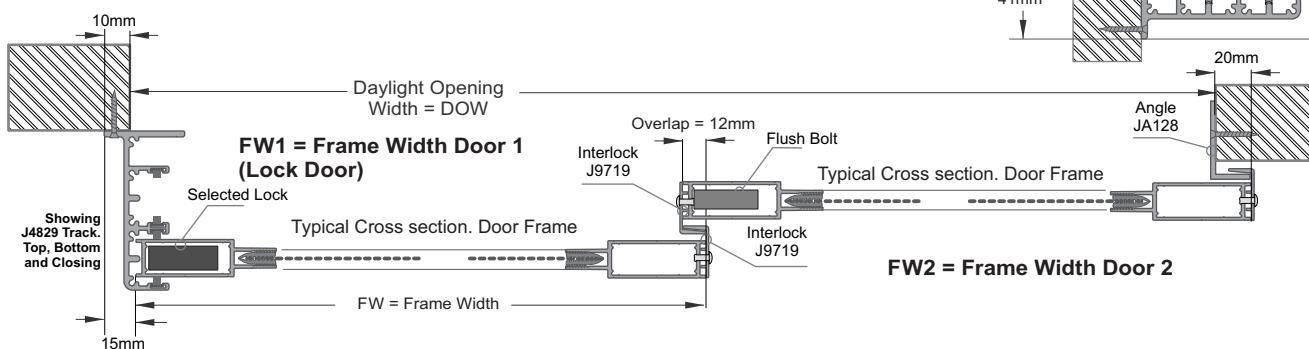
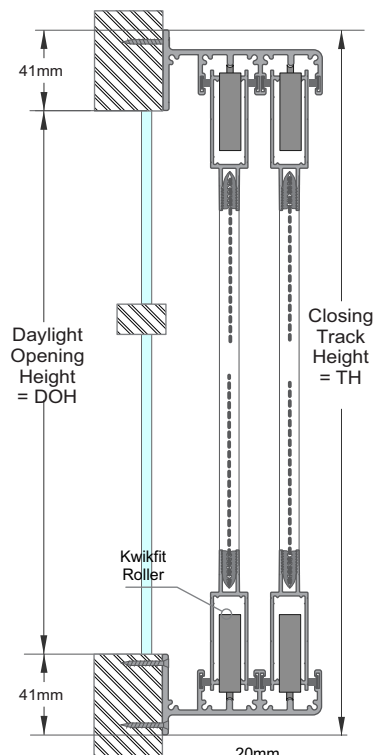


# Juralco Supascreen Security Door and Window Systems - Sliding Door, Cutting

Supascreen Double Stacking Sliding Door



Door Widths can be Equal or Unequal



## SUPSCREEN DOUBLE/STACKING SLIDING DOOR Tracks J4829 or J4849

Door Widths can be Equal or Unequal

	HEIGHTS, WIDTHS	Part	Cutting Calc	No
1	Closing Track Height TH	J4829 or J4849	$(DOH + 82) = TH$	1
2	Woolpile Height	JC225	TH	2
3	Door Frame Height FH	JCG/7295	$(DOH + 37) = FH$	4
1	Track Width TW	J4829 or J4849	Enter Width = TW	1
2	Woolpile Width	JC225	TW	8
3	Door Frame Width <b>EQUAL</b>	JCG/7295	$(DOW + 27)/2 = FW$	4
4	Door Frame Width <b>Unequal</b> FW1		Enter Width =FW1	2
5	Door Frame Width <b>Unequal</b> FW2		$(DOW+17-FW1) =FW2$	2

1	Supascreen Panel Height	JCG/SS	FH - 110	1
2	Co-extruded Plug Height	JCG Tape	FH - 150	2
3	Door Interlock Height	J9719	FH	2
4	Wall Interlock Angle Height	JA128	FH	2
2	Supascreen Panel Width	JCG/SS	FW - 110	1
3	Co-extruded Plug Width	JCG Tape	FW - 150	2

## Components, always needed

	Description	Part	No
1	Kwikfit Rollers	JC206	8
2	Corner Stake HD	JC216	8
3	Track End Caps	JC829 or JC849	2
4	Track End Stop	JC203	1
Select either Flushbolts			
5	Whitco Single Flushbolt	JJH203817	2
6	Austral Double Flushbolt, with Rods	JJMFlushbolt/BLK	1

## + Security Sliding Door Locks

Choice of Austral Murray SD7, SD8 or Whitco Liechart.

Associated Cylinders, Multipoint Kits and Black, White, SCC finishes for SD7, SD8 All as per Feb 2020 Price Book

Cutting calculations - These are a guide only, confirm before cutting  
Strongly Recommended - Allow +30mm per cut to allow for Trimming/Mitre cuts and on site adjustment



JURALCO

www.juralco.co.nz ph (09) 478 8018

Juralco Supascreen Security Door and Window Systems

Issue 4-24 v1

Page 30

# Juralco Supascreen Security Door and Window Systems - Sliding Door, Cutting

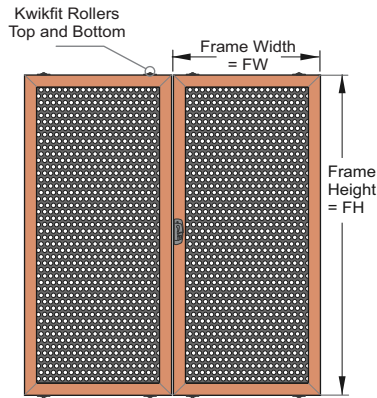
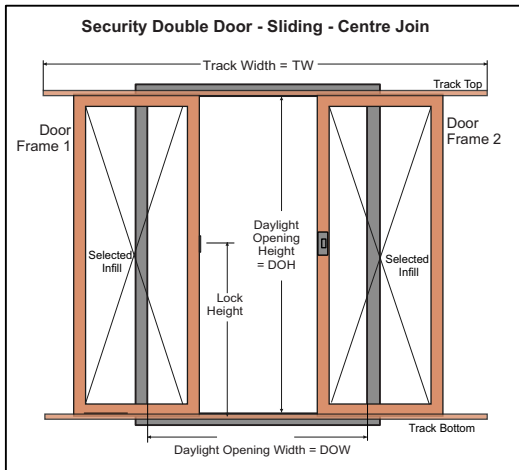
Supascreen Double  
Centre Join Sliding Door



J4809 Track  
Top, Bottom  
only (no Closing)

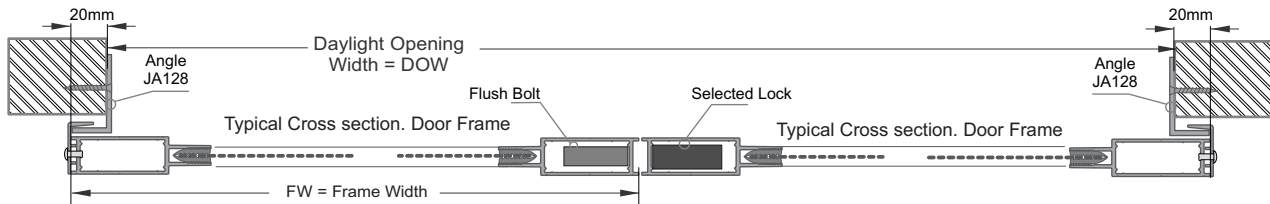
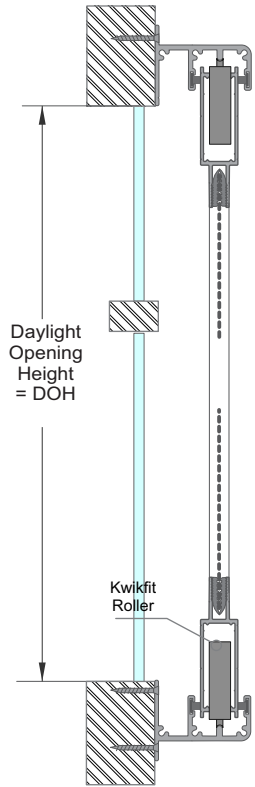
OR

J4839 Track  
Top, Bottom  
only (no Closing)



Door Frames

Door Widths only Equal



## SUPASCREEN DOUBLE/STACKING SLIDING DOOR Tracks J4829 or J4849

Door Widths only Equal

## Components, always needed

	HEIGHTS, WIDTHS	Part	Cutting Calc	No
1	Door Frame Height FH	JCG/7295	$(DOH + 37) = FH$	4
1	Track Width TW	J4829 or J4849	Enter Width = TW	2
2	Woolpile Width	JC225	TW	4
3	Door Frame Width <b>EQUAL</b> FW	JCG/7295	$(DOW + 40)/2 = FW$	4

1	Supascreen Panel Height	JCG/SS	FH - 110	1
2	Co-extruded Plug Height	JCG Tape	FH - 150	2
3	Door Interlock Height	J9719	FH	2
4	Wall Interlock Angle Height	JA128	FH	2
2	Supascreen Panel Width	JCG/SS	FW - 110	1
3	Co-extruded Plug Width	JCG Tape	FW - 150	2

	Description	Part	No
1	Kwikfit Rollers	JC206	8
2	Corner Stake HD	JC216	8
3	Track End Caps	JC809 or JC839	2
4	Track End Stop	JC203	1
Select either Flushbolts			
5	Whitco Single Flushbolt	JJH203817	2
6	Austral Double Flushbolt, with Rods	JJMFlushbolt/BLK	1

### + Security Sliding Door Locks

Choice of Austral Murray SD7, SD8 or Whitco Liechardt.

Associated Cylinders, Multipoint Kits and Black, White, SCC finishes for SD7, SD8 All as per Feb 2020 Price Book

Cutting calculations - These are a guide only, confirm before cutting  
Strongly Recommended - Allow +30mm per cut to allow for Trimming/Mitre cuts and on site adjustment



**JURALCO**

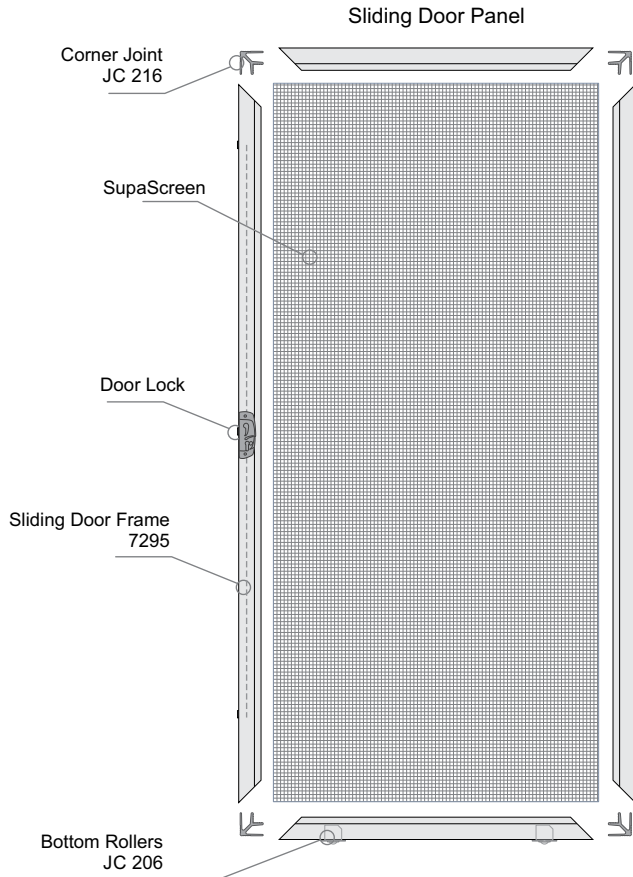
www.juralco.co.nz ph (09) 478 8018

**Juralco SupaScreen Security Door and Window Systems**

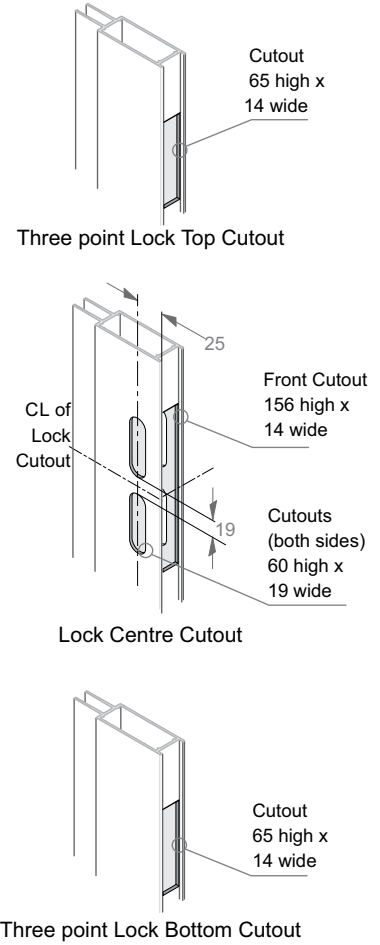
Issue 4-24 v1  
Page 31

# Juralco SupaScreen Security Door and Window Systems - Sliding Door, Machining

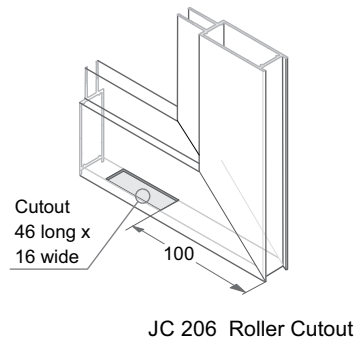
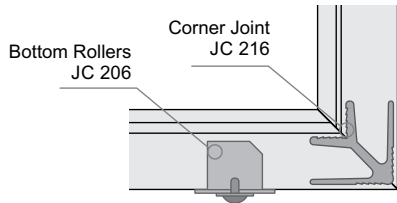
## SupaScreen Sliding Door Machining, Assembly



## SD7Plus 3 Point Lock and Roller Machining



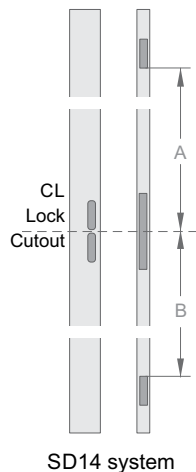
## Sliding Door Panel Corners



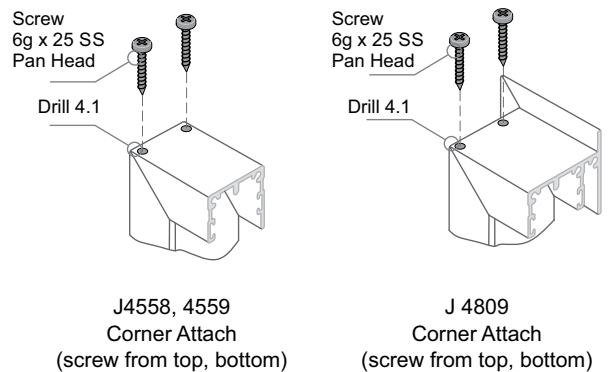
## SD14Plus Door Frame Machining Setouts

SD14 - 3 Point Locks Machining Setouts	A dim to Top	B dim to Bottom
High Centre Lock	546	961
Low Centre Lock	961	546
Pool Centre Lock	375	961
Sample Lock	375	375

Setout Tolerances all plus/minus 3mm



## SD Channel Corner Attach

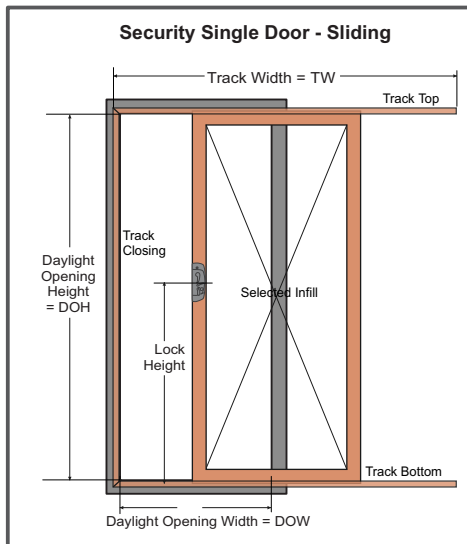


### SupaScreen Sliding Door Installation

- 1 - Check the extrusions supplied are the correct ones for this application, ie. they fit around windows and take account of any restricted clearances around the door frame.
- 2 - Screw the vertical jamb extrusion into position so that the top and bottom tracks can be easily and properly fixed into position.
  - a- The bottom track is usually "top-fixed" extrusion.
  - b - The side and top tracks are usually "sub-fixed" extrusion.
  - c - The miters should be checked to ensure any excess 'wings' are cut off before installation
- 3 - Check the door is the correct size, ie. the door doesn't interfere with any adjacent opening windows.
- 4 - Screw the bottom track into place, making sure it is as close as possible to 90deg with the vertical closing jamb, and running in a straight line without sags or bumps.
- 5 - Place the door onto the bottom track and level up with the closing jamb using the adjustable door rollers.
- 6 - Screw the top track into position, making sure the extrusion sits underneath any opening windows.
- 7 - Mark the door latch position on the closing jamb.
- 8 - Using 2 of 10g x 12mm Pan S/S screws, screw the door latch packer to the closing jamb
- 9 - Screw the door latch to the door latch packer using 2 of 10g x 12mm Pan S/S screws.  
fit the brush strip to the back of the door or to the mullion (prefer the mullion if there is an opening window adjacent)
- 10 - Fit Interlock angles to backs of Door and Mullions.
- 11 - Test Doors for smoothness + shutting/locking and full retraction to stops.
- 12 - Always clean off all fingermarks, leave the site clean and tidy.

<h1>Supascreen Single Door Sliding</h1>		<b>SD#</b>
Customer		
Order No	Date	
<b>WO</b> Juralco	<b>SO</b> Juralco	<b>\$</b> Juralco
Select/Enter Dimensions below. Enter details/selections into all boxes. Then scan and send to <a href="mailto:sales@juralco.co.nz">sales@juralco.co.nz</a>		

## This Order Form - Supascreen Single Door, Sliding only.



1 Enter Location

Enter Sizes	Dimensions mm	Daylight OH	Daylight OW	Track Width (TW)	Max DOH, DOW - Height 2490mm - Width 1275mm

2 Duralloy  Duralloy Plus  Duratec  OR Select Anodising

Select Finish  Specify PC Colour and Code

Natural   
Bronze

3 Select Track Layouts, Types

		Select options					
A	J4558 Track Closing	J4559 Track Top and Bottom	Door Lock Punching	No	Yes	Height	LH or RH Closing
B	J4558 Track Top and Closing	J4559 Track Bottom					
C	J4558 Track Bottom and Closing	J4559 Track Top					
D	J4809 Track Top, Bottom and Closing						
E	J4839 Track Top, Bottom and Closing						

4 Austral Murray SD7 or SD8 Lock Options

Lock Type	SD7	SD8	Lock Finish	White	Black	SCC	Multi Point Kits	High	Low
<b>C4 Cylinders</b>	46mm Wafer Random	5 pin Random 64mm Key	5 pin Keyed alike	6 pin Keyed alike	LH Thumb Turn, Random	RH Thumb Turn, Random			

5 Whitco Liechardt Lock Options (Black only)

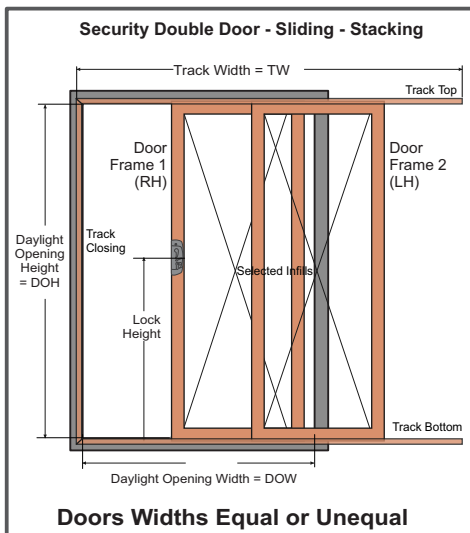
Whitco Cylinders	Random Key	Keyed Alike	LH Thumb Turn, Random	RH Thumb Turn, Random	Multi Point (Black)	No	Yes

6 Remarks



<b>Supascreen Double Door Sliding/Stacking</b>		<b>SD#</b>
Customer		
Order No	Date	
<b>WO</b> Juralco	<b>SO</b> Juralco	<b>\$</b> Juralco
Select/Enter Dimensions below. Enter details/selections into all boxes. Then scan and send to <a href="mailto:sales@juralco.co.nz">sales@juralco.co.nz</a>		

**This Order Form - Supascreen DoubleDoor/Stacking, Sliding only.**



**1** Enter Location

Enter Sizes	Dimensions mm	Daylight OH	Daylight OW	Track Width (TW)	<b>Max DOH, DOW</b> - Height 2490mm - Width 2530mm

**2** Duralloy  Duralloy Plus  Duratec  OR Select Anodising

Select Finish  **Specify PC Colour and Code**

Natural   
Bronze

**3** Select Track Layouts, Options Select options

<b>A</b>	J4829 Track Top, Bottom and Closing <input type="checkbox"/>		<b>Door Lock Punching</b>	No	Yes	Height	LH or RH Closing
<b>B</b>	J4849 Track Top, Bottom and Closing <input type="checkbox"/>		<b>Whitco Flush Bolts</b>	Singles x 2		Double	

**4** Door Widths Equal or Unequal  If Unequal Enter Width  Door Frame 1 (LH)

If Unequal Enter Width  Door Frame 2 (RH)

Tick if Equal  Note: Door Frame Widths 1280mm max

**5 Austral Murray SD7 or SD8 Lock Options**

Lock Type	SD7	SD8	Lock Finish	White	Black	SCC	Multi Point Kits	High	Low
	<input type="checkbox"/>	<input type="checkbox"/>		<input type="checkbox"/>	<input type="checkbox"/>	<input type="checkbox"/>		<input type="checkbox"/>	<input type="checkbox"/>
<b>C4 Cylinders</b>	46mm Wafer Random	5 pin Random 64mm Key	5 pin Keyed alike	6 pin Keyed alike	LH Thumb Turn, Random	RH Thumb Turn, Random			

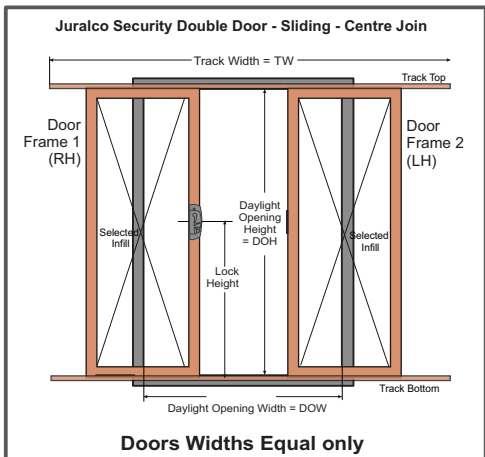
**6 Whitco Liechardt Lock Options (Black only)**

Whitco Cylinders	Random Key	Keyed Alike	LH Thumb Turn, Random	RH Thumb Turn, Random	Multi Point (Black)	No	Yes
	<input type="checkbox"/>	<input type="checkbox"/>	<input type="checkbox"/>	<input type="checkbox"/>		<input type="checkbox"/>	<input type="checkbox"/>

**7** Remarks

<b>Supascreen Double Door Sliding/Centre Join</b>		<b>SD#</b>
Customer		
Order No	Date	
<b>WO</b> Juralco	<b>SO</b> Juralco	<b>\$</b> Juralco
Select/Enter Dimensions below. Enter details/selections into all boxes. Then scan and send to <a href="mailto:sales@juralco.co.nz">sales@juralco.co.nz</a>		

**This Order Form - Supascreen DoubleDoor/Centre Join, Sliding only.**



**1** Enter Location

Enter Sizes	Dimensions mm	Daylight OH	Daylight OW	Track Width (TW)	Max DOH, DOW - Height 2490mm - Width 2530mm

**2** Duralloy  Duralloy Plus  Duratec  OR Select Anodising

Select Finish  **Specify PC Colour and Code**

Natural   
Bronze

**3** Select Track Layouts, Options Select options

<b>A</b>	<input type="checkbox"/> <b>J4809 Track. Top, Bottom and Closing</b>		<b>Door Lock Punching</b>	No	Yes	Height	LH or RH Frame
<b>B</b>	<input type="checkbox"/> <b>J4839 Track. Top, Bottom and Closing</b>		<b>Whitco Flush Bolts</b>	Singles x 2		Double	

**5 Austral Murray SD7 or SD8 Lock Options**

Lock Type	SD7	SD8	Lock Finish	White	Black	SCC	Multi Point Kits	High	Low
<b>C4 Cylinders</b>	46mm Wafer Random	5 pin Random 64mm Key	5 pin Keyed alike	6 pin Keyed alike	LH Thumb Turn, Random	RH Thumb Turn, Random			

**6 Whitco Liechardt Lock Options (Black only)**

Whitco Cylinders	Random Key	Keyed Alike	LH Thumb Turn, Random	RH Thumb Turn, Random	Multi Point (Black)	No	Yes

**7** Remarks

# Juralco SupaScreen Security Door and Window Systems - Mesh Fitting

## General, Tools for SS Mesh Panel Installation

### Pre Assembly

- 1- Clean up work bench, make sure work top absolutely clean. Inspect extrusions are free from damage and straight.
- 2 - Read Job Sheet carefully and understand **All instructions**. All measurements, number required, lock arrangements, lock side, colour, installation type, mounting, LH or RH, all prepunching required.
- 3 - Collect and check all components and extrusions needed for this job. Check all tools needed are clean and in good working order.

#### Suggested Tool and Equipment list.

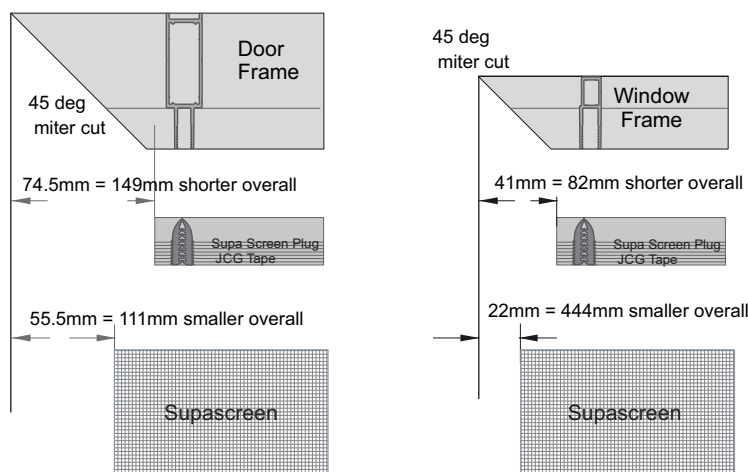
- Assembly Press, Generation Mk2 and bench
- Dead hammer, Thor 44mm face
- Hand Shears, Makita JS 1600 electric, or Guillotine
- Tin snips
- PVC- HD block 25 x 100 x 150
- Electric/ Air drill gun and Electric screwdriver.
- Tape Measure, Square, Screwdrivers, White marking pen or engineers chalk.
- Electric Mitre saw with aluminium sharpened saw, set to cut exact 45 deg.
- Corner stake locking punch
- Punch or router for Locks and Rollers.

Window Frame  
7811

## Cutting for SS Mesh Panel

### Cutting

- 1- Cut Frame to measurements at exact 45 deg miters.
- 2 - Cut PVC plugs to length, straight cuts.
- 3 - Cut mid rails (optional), straight cuts.
- 4 - Cut perf sheet, square on all four sides.
- 5 - After cutting the offsets should be as drawn.



**Note: IT IS VERY IMPORTANT THAT THE SHEET IS CUT EXACTLY SQUARE AND STRAIGHT**

## Trouble Shooting Causes and Remedies

### 1 - Problem - Concave bow on long sides (lock, hinge) ie bows in

**Causes** - Mesh cut too small, Plug not square on mesh, Mesh not cut straight, Mesh not cut square.

**Remedies** - Using a 25mm x 100mm x 300mm PVC block and a Thor PVC dead hammer, drive off the bowed frame (in most cases it will be the lock side style). Once the section of door frame has been removed, check (a) Correct seating of plug onto mesh. (b) Correct size of mesh cut, or cut not straight. Cut/trim adjust as necessary then carefully reseal the plug.

### 2 - Problem - Convex bow on long sides (lock, hinge) ie bows out

**Causes** - Mesh cut too large, Plug not square on mesh, Mesh not cut straight, Mesh not cut square.

**Remedies** - Using a 25mm x 100mm x 300mm PVC block and a Thor PVC dead hammer, drive off the bowed frame (in most cases it will be the lock side style). Once the section of door frame has been removed, check (a) Correct seating of plug onto mesh. (b) Correct size of mesh cut or cut not straight. Cut/trim adjust as necessary then carefully reseal the plug.

### 3 - Problem - Bubble or ripples in mesh

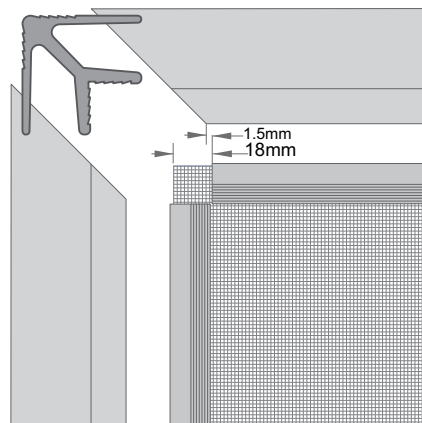
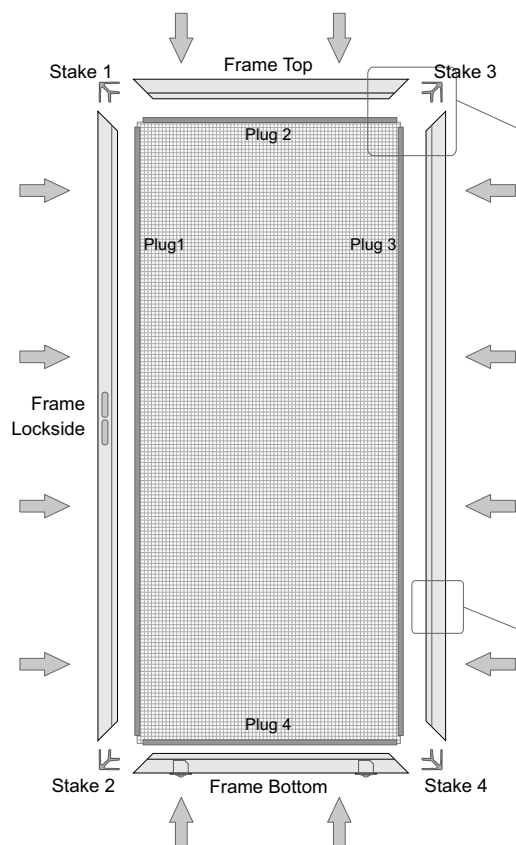
**Causes** - Mesh cut too large (common cause), Plug not square on mesh, Plug not fully inserted in frame, Mesh not cut straight, Mesh not cut square, Frame buckled, bowed.

**Remedies** - Before commencing any disassembly look to identify the problem. Mostly mesh too large/not cut straight/out of square. Remove the frame nearest the bubble/ripple using a 25mm x 100mm x 300mm PVC block and a Thor PVC dead hammer. Once the section of frame has been removed, strip off the plug and then trim one or two strands of mesh close to the affected area. Reassemble carefully.

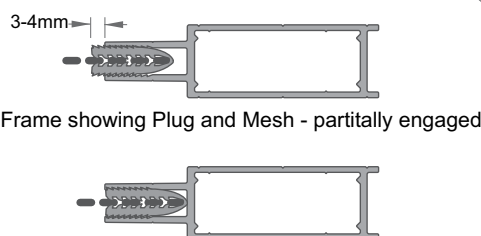
## Juralco SupaScreen Security Door and Window Systems - Mesh Fitting

### Assembly Frame and Mesh

Note - The assembly procedure described applies equally to doors and windows.



Frame Corner showing Plug and Mesh offsets



Frame showing Plug and Mesh - partially engaged

Frame showing Plug and Mesh - fully engaged

Note - Mesh must be at bottom of plug

**Note: BEFORE ANY ASSEMBLY CHECK THAT THE MESH SHEET IS EXACTLY SQUARE AND CUT WITH STRAIGHT SIDES**

### Assembly

- 1 - Lay Mesh sheet, plugs and extrusions on work bench. Make sure there is no metallic debris from cutting, filing operations/sweep clean. Take great care not to scratch any surface.
- 2 - Check all measurements and diagonals for squareness. Recheck the frame, sheet and plug dimensions  
- the plugs should be the sheet length/width minus 32mm
- 3 - Assembly can be carried out with a Thor dead blow hammer (do not use a wooden mallet) and plastic/Teflon block or a bench mounted pneumatic SupaScreen crimping machine. The assembly procedure for a window is the same as for a door.

- Step 1.** Fit the Plug (plug 1) onto the Lock side of the sheet - plug will be 18mm shorter at each end of the sheet  
Tap the Lock side Frame onto the sheet until 3 to 4mm of the plug remains showing (refer to partially engaged drawing above)
- Step 2.** Tap a corner Stake (stake1) into the Top Frame  
Fit the Plug (plug 2) onto the Top Frame end of the sheet, 18mm in from the edge of the sheet.  
Tap the Top Frame onto the sheet until the plug is fully engaged and the mitre joint is square.
- Step 3.** Tap a corner Stake (stake 2) into the Bottom Frame (Lock Frame side).  
Fit the Plug (plug 3) onto the Bottom Frame end of the sheet, 18mm in from the edge of the sheet.  
Tap the Bottom Frame onto the sheet until the plug is fully engaged and the mitre joint is square.
- Step 4.** Tap corner Stakes (stakes 3,4) onto Both ends of the Hinge Side Frame  
Fit the Plug (plug 4) onto the Hinge Side Frame end of the sheet  
Tap the Hinge Side Frame onto the sheet until the plug is fully engaged and the mitre joints are square.
- Step 5.** Using a plastic block tap the plugs on all sides to ensure they are fully engaged, turn frame over and repeat on the other side  
Tap the corners as necessary to ensure the mitres are closed and check the frame diagonally for squareness.
- Step 6.** Drill the frame approximately 40mm from the corners and lock in the corner stakes with s/s pop rivets  
Gently sand the sharpness off the corners.

- Notes**
- 1 - Do not split the Plug; the SS mesh could come into contact with the Door frame, potentially causing corrosion.
  - 2 - Mid Rail 7713 and Window Frame with leg 7714 to be fully engaged manually, as they will not fit in the press.
  - 3 - Spacer blocks needed on assembly press for window frames.

All pages © Copyright Juralco Aluminium Building Products Ltd, 2022



**JURALCO**

www.juralco.co.nz ph (09) 478 8018

**Juralco SupaScreen Security Door and Window Systems**

Issue 4-24 v1  
Page 38

## Powder Coating Installation Care

### Warning re use of solvents:

- In some cases strong solvents are recommended for thinning various types of paints and also for cleaning up mastics and sealants.
- These can be harmful to the extended life of the powder coated surface, and must not be used for cleaning purposes.
- It is important to note that the damage will not be visible immediately and may take up to 12 months to develop.

If paint splashes or sealants and mastics need to be removed then the following may be safely used:  
Methylated Spirits, Ethyl Alcohol, Isopropanol or preferably a mild detergent in warm water.

### Joinery Protection during Installation:

All the activity on a construction site means that your powder coated items may get knocked or scratched, splattered with mortar, plaster, textured coating or paint during the later stages of construction.

Please ensure that all powder coated articles are masked or covered at this time. It is far easier to prevent accidents than to try and correct them. Should your joinery receive mortar or paint splashes see that these are removed before cure and follow the instructions contained in this brochure.

Typical sticker used to warn other trades of the need to protect and mask off powder coated joinery (applies to anodised joinery also)

**"IMPORTANT ALL TRADES"**  
This valuable aluminium joinery will suffer permanent damage from: plaster, mortar and paint splashes - Protect if splashes occur - Immediately wash down joinery with water or meths - Do not allow splashes to harden! ~ Do not use solvents! - Do not remove this label until final clean completed.

This photograph display damage that has occurred on site, post installation. The photo of the masked joinery displays clear signs of damage that could have occurred were it not masked. Please ensure that your joinery is protected right through the entire construction process.



## Powder Coating Maintenance

### External - Maintenance Program:

To extend the life of external powder coated articles and to comply with warranty requirements for powder coated aluminium joinery, a simple, regular maintenance program must be implemented.

The effects of ultra violet light, atmospheric pollution, dirt, grime and airborne salt deposits will all accumulate over time and must be removed or surface staining and weathering will occur, leading to an unsightly appearance.

For external coatings, cleaning should take place every six months. In areas where pollutants are more prevalent, such as beachfront houses and industrial or geothermal areas, then a cleaning program should be carried out on a more frequent basis ie. every one to three months.

### Cleaning your powder coating:

1. Carefully remove any loose surface deposits with a wet sponge.
2. Use a soft brush (non abrasive) and a mild household detergent (do not use solvents) in warm water, remove dust, salt and other deposits.
3. Rinse off with clean fresh water.



### Restoring weathered or scratched surfaces:

Repair of Scuffed or Scratched surfaces  
Dulux Spray Cans are available in all colour card colours.

Repair of Small Scratches or Chips.  
Dulux Dabsticks are ideally suited for the repair of small scratches.  
Dabsticks may not be available in all colour card colours.

Repair of Weathered areas .  
Dulux Gloss Up is a light to medium cutting cream ideally suited for gloss restoration and has been specifically designed for this purpose.  
Gloss Up contains no waxes or silicone and is a one step system.



Contact Dulux Powder Coatings , ph 0064 9 441 8244

## **Surface growths, colour stains on the Supascreen Panel:**

In climates with high moisture and humidity content, it is possible that a fungus will form on the Supascreen mesh due to a build up of airborne spores as the fine holes in Supascreen can act like a large air filter.  
This growth cannot harm the SS Mesh, but may attack the Powder coating.

**Our strong Recommendation is to regularly clean your Supascreen at least annually with a brush and warm soapy water to prevent any Fungal buildup**

The first step is to test if any buildup on your Supascreen is a fungus:

- Surround a small test area with masking tape.
- Using a magnifying glass or camera zoom on your phone, focus on one specific area and using a sharp plastic or wooden implement (eg: tooth pick),lightly scratch the rust-looking substance to lift it from the screen.
- Once lifted, the black powder coating of the Supascreen should be revealed.

## **Liquid Removal Process:**

The first step is to neutralise the surface contamination.

Use only Wet & Forget Moss and Mould Remover. Follow the instructions on the manufacturers website and dilute it correctly.

This product has proven to work and is not bleach or acid based which will potentially damage the powdercoating.

1. Apply using a squirt bottle to spray on both sides of the screen mesh
2. Leave on for at least a week
3. Repeat after 7 days

This will kill the fungus and any spores. It can take 6-12 months to break down and fall off. This is as per the manufacturer's instructions.

## **Mechanical Cleaning:**

A cleaning cloth or soft brush will not remove the fungus. The fungus will be wrapped around the wire and will need serious effort to remove.

The most effective product to remove the fungus is a plastic bristle brush set. These are available at Bunnings or other Hardware Outlets.

1. Fit the medium brush to a cordless drill and select the lowest speed.
2. Activate the drill and apply a light to medium pressure to the mesh while moving the brush across the surface of the mesh.

The circular motion of the brush should remove the fungus. This is a low cost and effective method of removing the fungus from the mesh.

## **Care:**

Always take care to minimise the abrasive damage the powder coat surface that is going to occur.

- We recommend testing a small area first. Clean your test area up with water, dry it off and inspect.
- A careful balance of methods helps to remove the fungus.

It will minimise the inevitable abrasive damage that is going to occur to the black powdercoated mesh

- If you are not prepared to accept some abrasive damage to the powder coated surface do not try this method.  
Damage to the powder coated surface will void the warranty. Instead follow the Liquid Removal instructions.
- If you are not able or equipped to do both sides of the screen use the Liquid Removal method.  
Or mechanically clean the one side leaving the other side to clear over the coming months.