

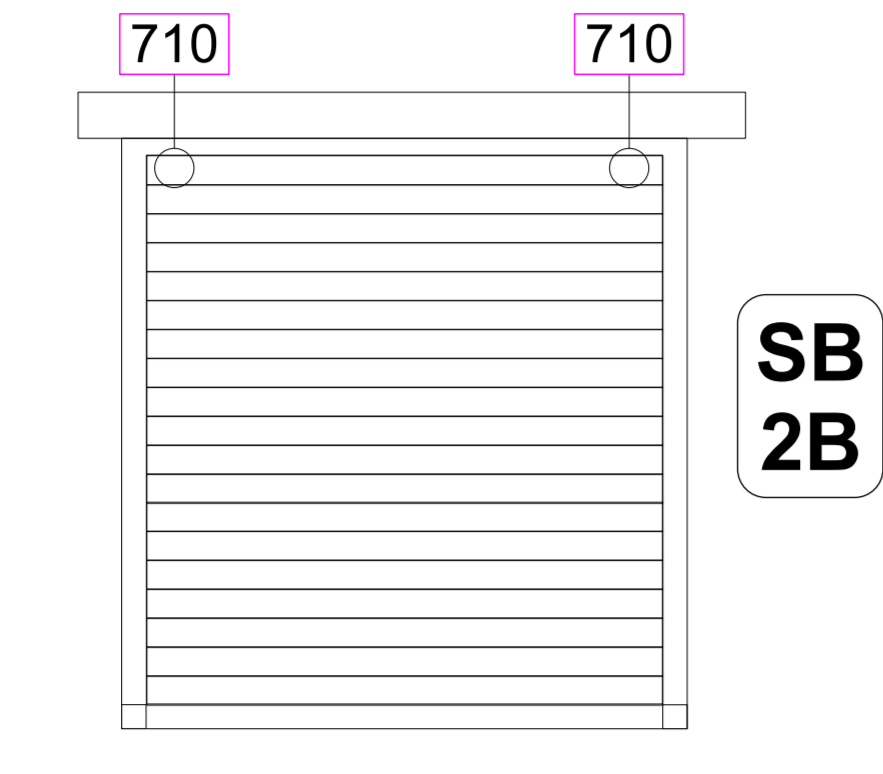


Wall Attach Details for Point Loads

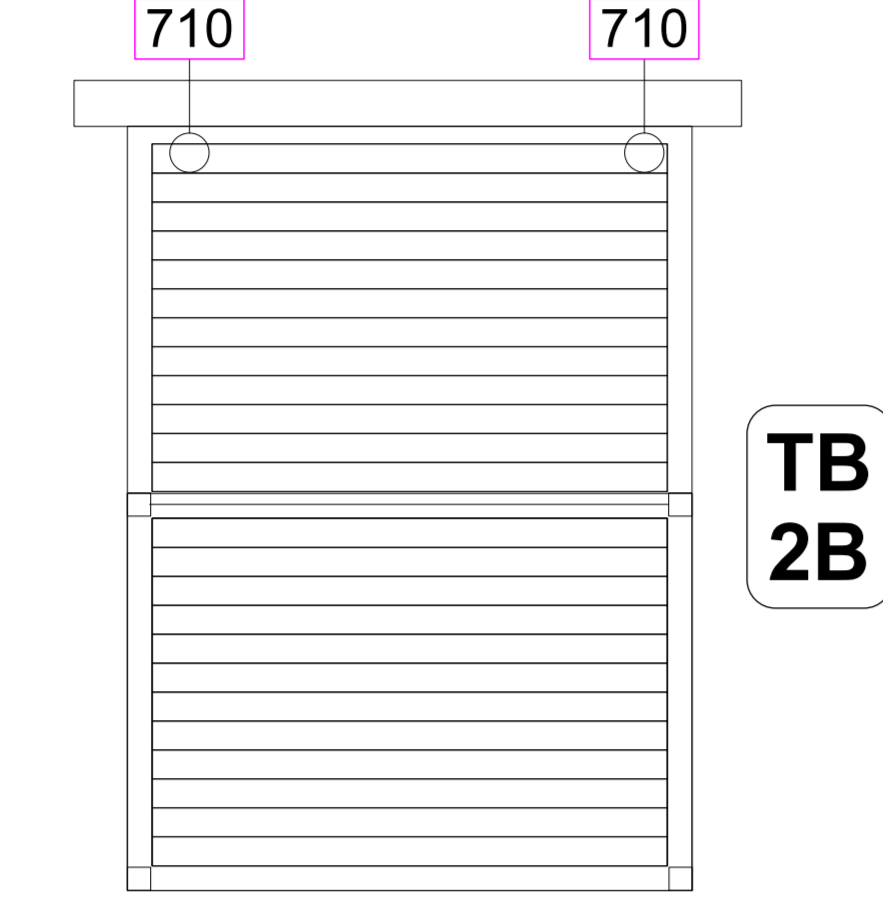
Notes:

1 - Only applicable to Louvres parallel to Wall ie Point Load.

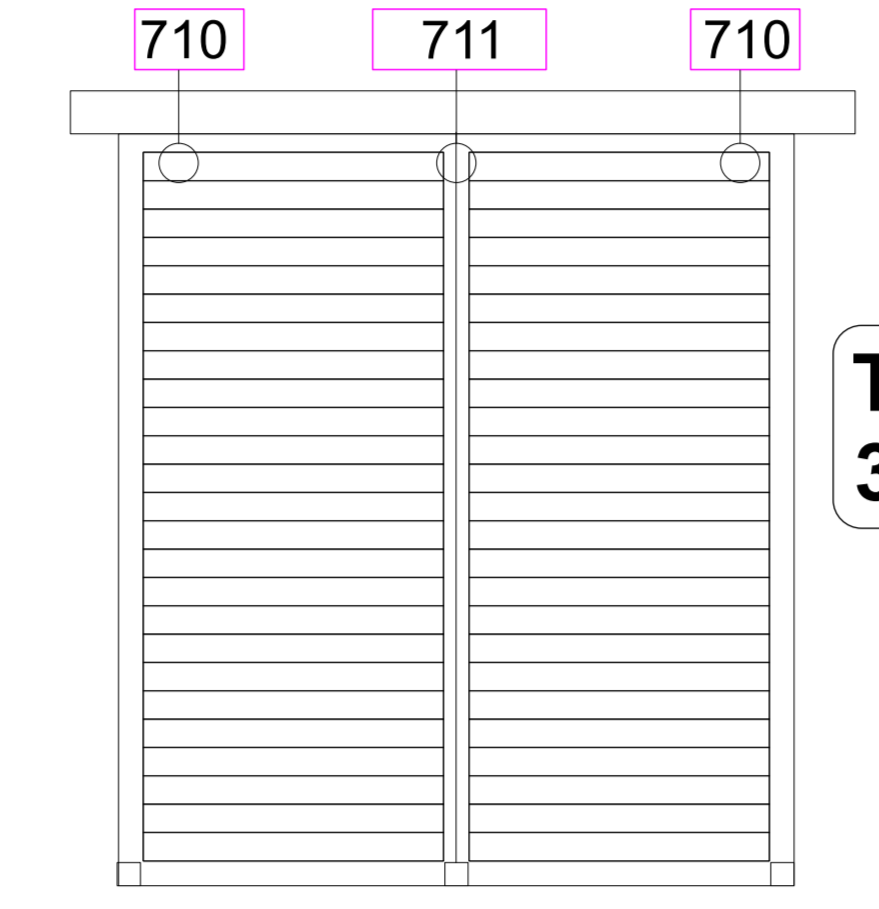
Point Load brackets



Point Load brackets



Point Load brackets



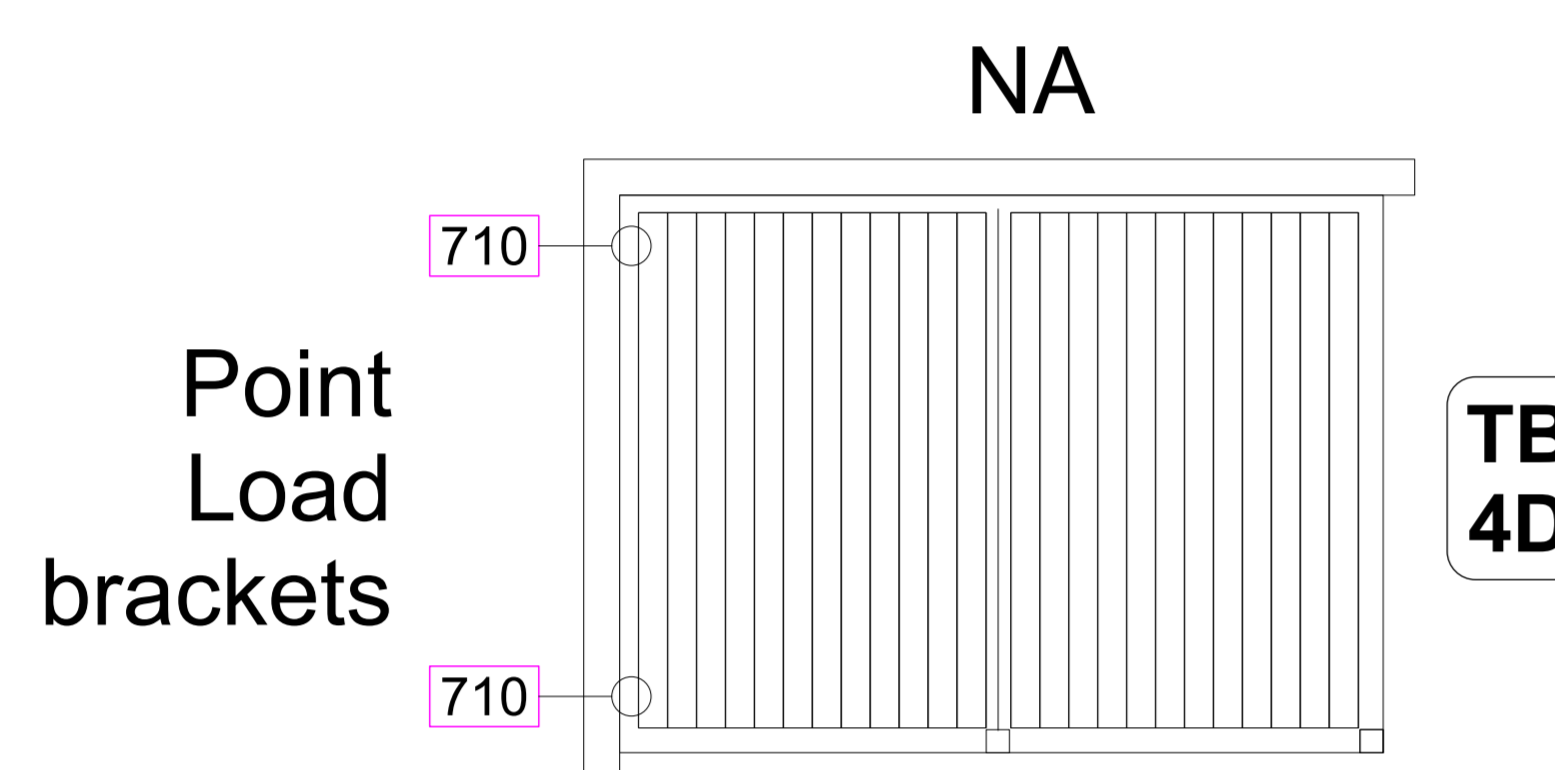
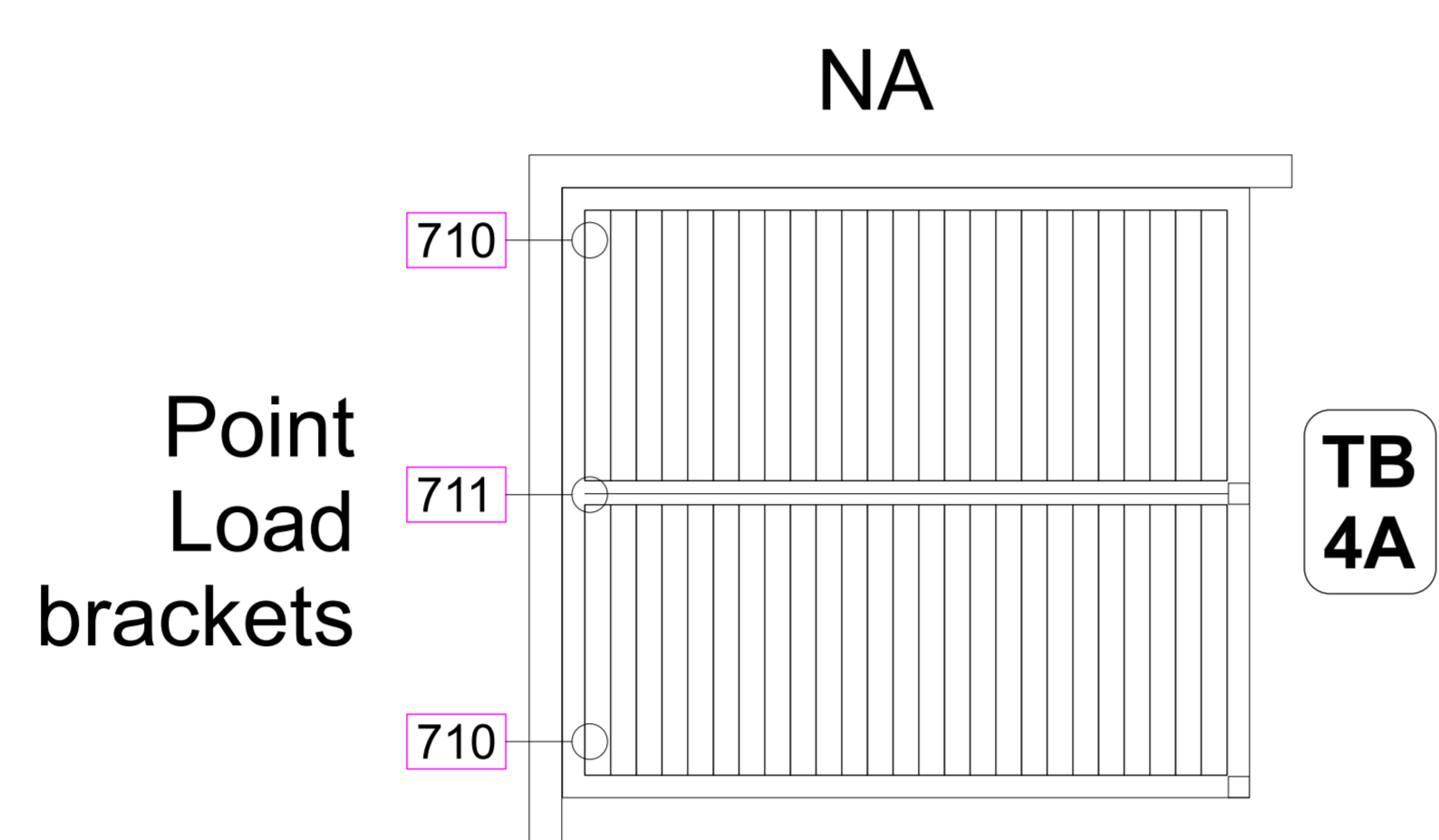
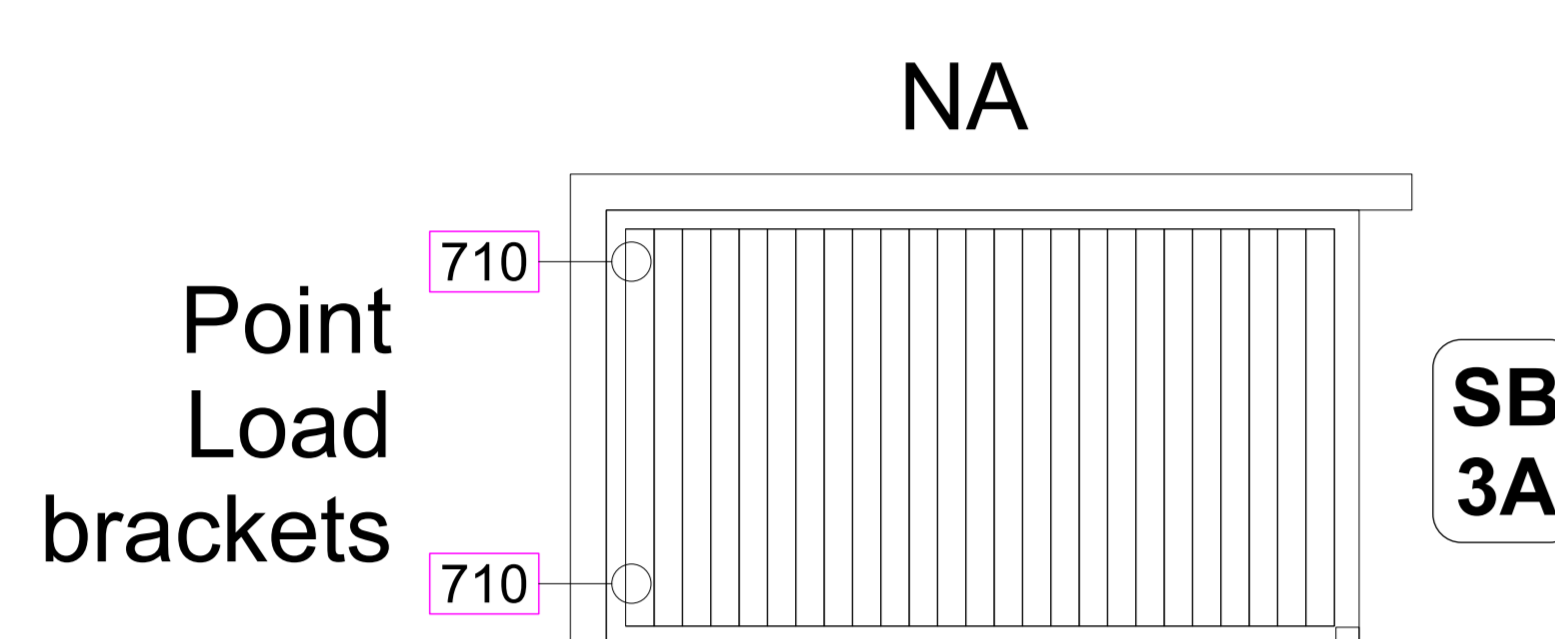
Wall Series. Louvres Parallel to Wall

Total Uplift loads, according to the appropriate Wind Zone are resisted by the Wall attachments.

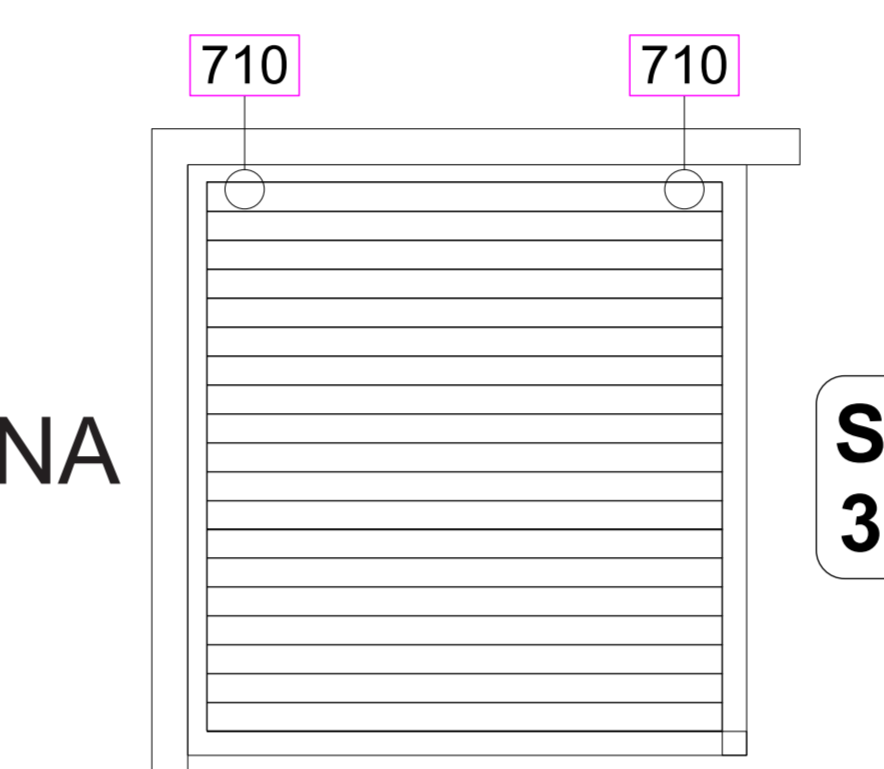
At the Wall the load is **concentrated** at the points shown. This type is **not suitable** for Soffit mounting.

For Wall attachment, check the manual.

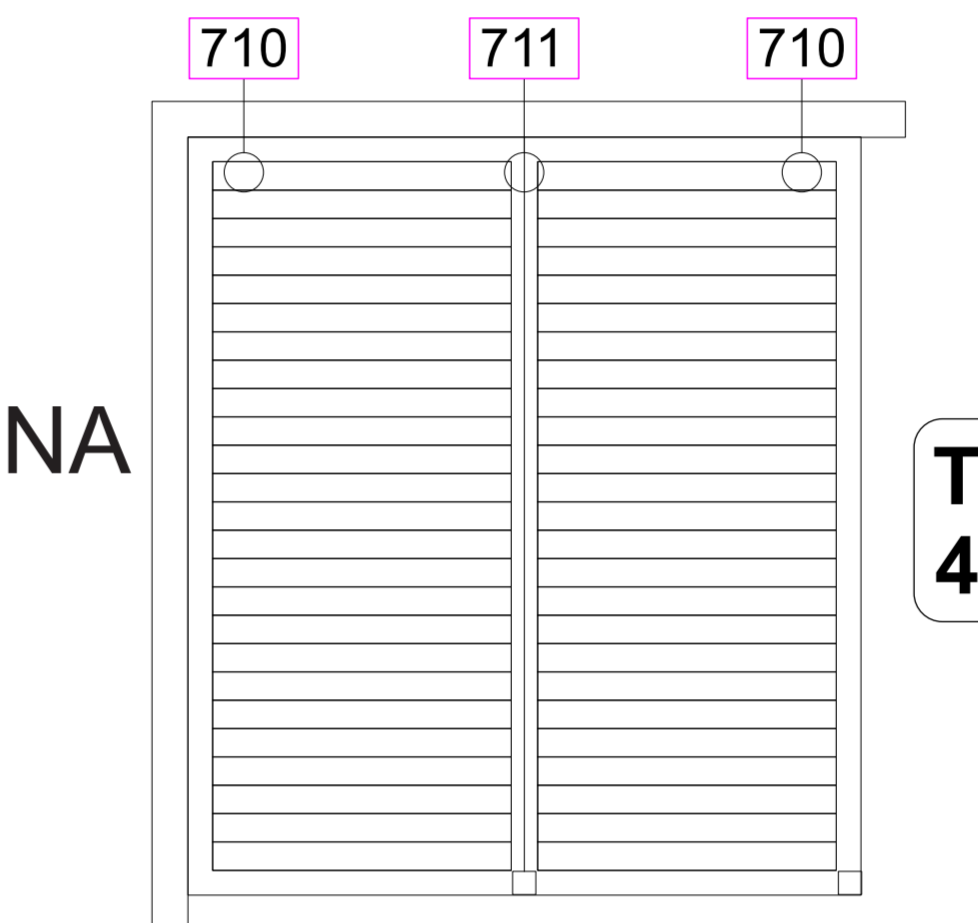
Juralco has recommendations for the Initial connection of the Bask Frame to a Building Structure. The further connections to the Structure must meet the Wind Zone/Specified forces as in the Structural Tables. This is the responsibility of the Builder and/or Engineer.



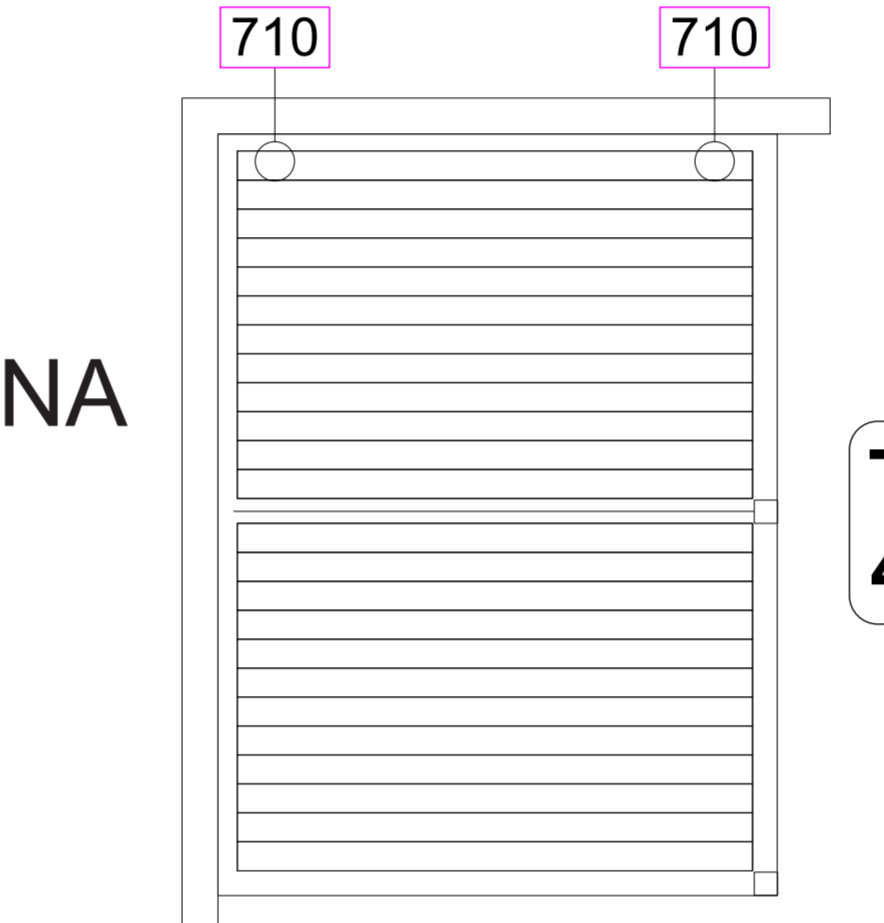
Point Load brackets



Point Load brackets



Point Load brackets



Important Note:

Juralco can only guarantee the suitability of the initial connection.

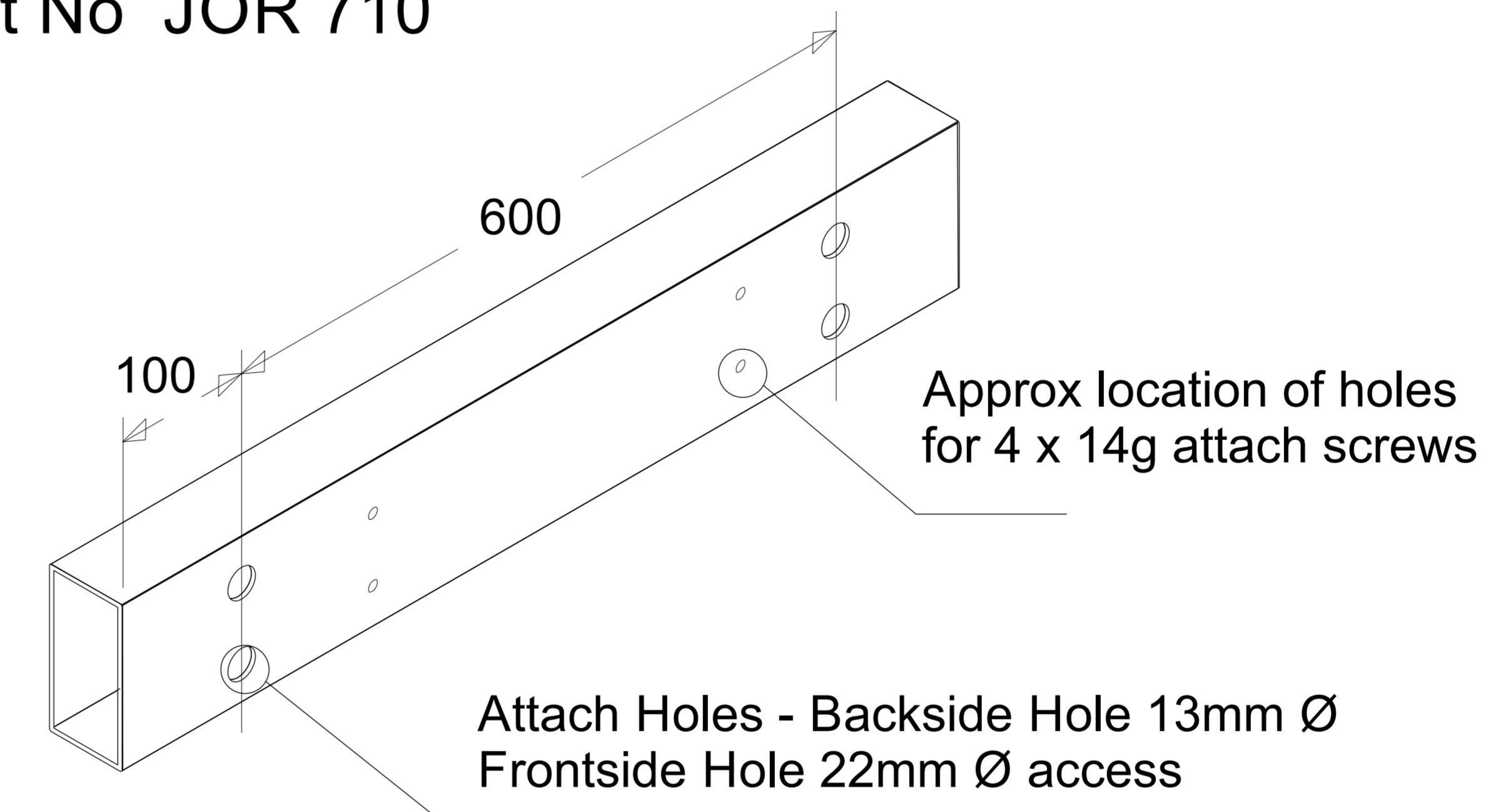
In this case the M12 Coachscrews attaching the Steel Brackets into the Wallboards + Studs and the 14g screws attaching the JOR507 Wall Beam.

All subsequent connections and strengthening to a structure are the clear responsibility of the builder/ installer.

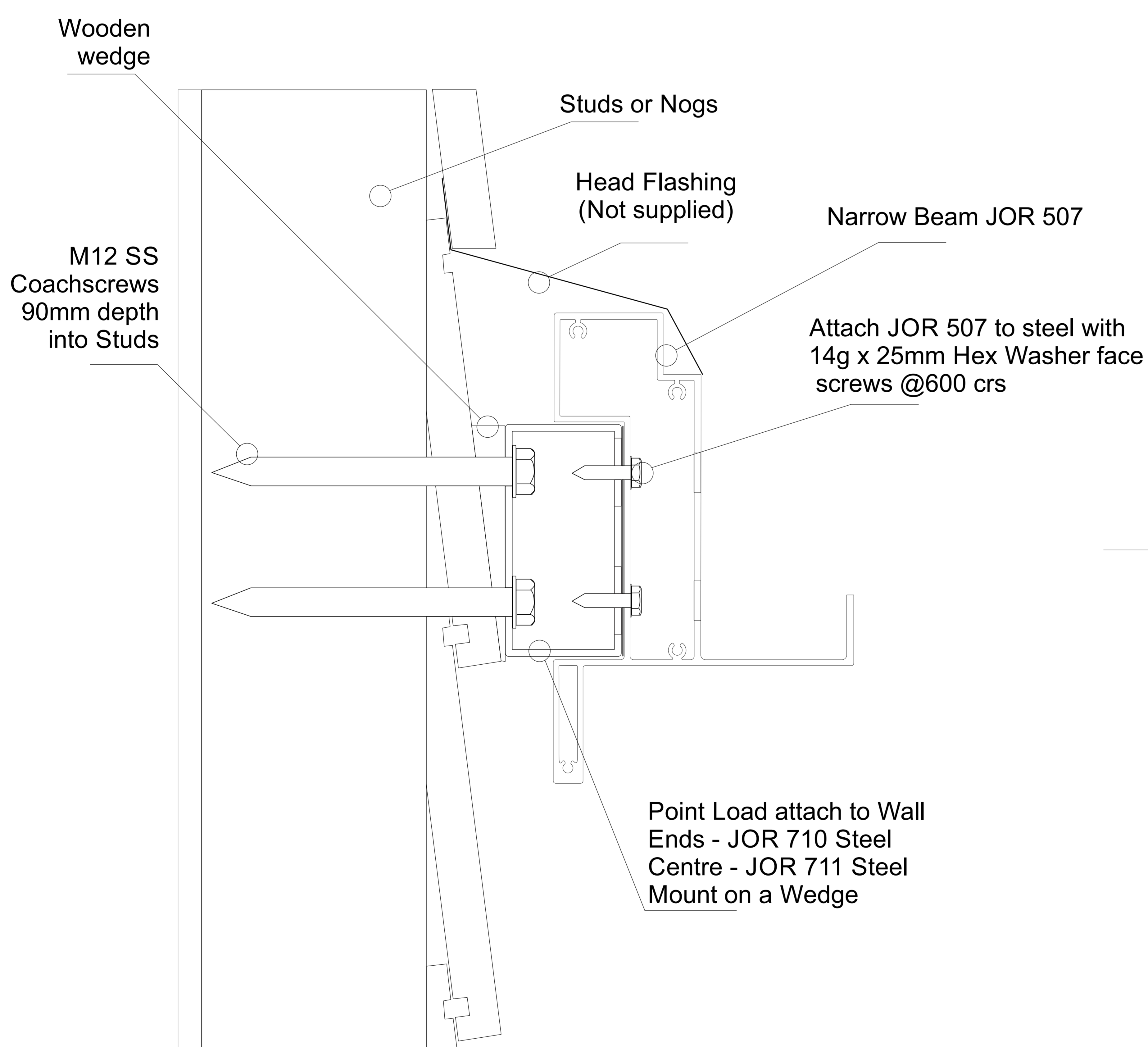
Any other specifications on this page are general suggestions only.

Please refer to the HomePlus Outdoor Living System/ Manual/Structural/Configurations/Areas/Wind Zones for guidance on Forces the structure will have to withstand.

POINT LOAD, CORNER BRACKET Part No JOR 710

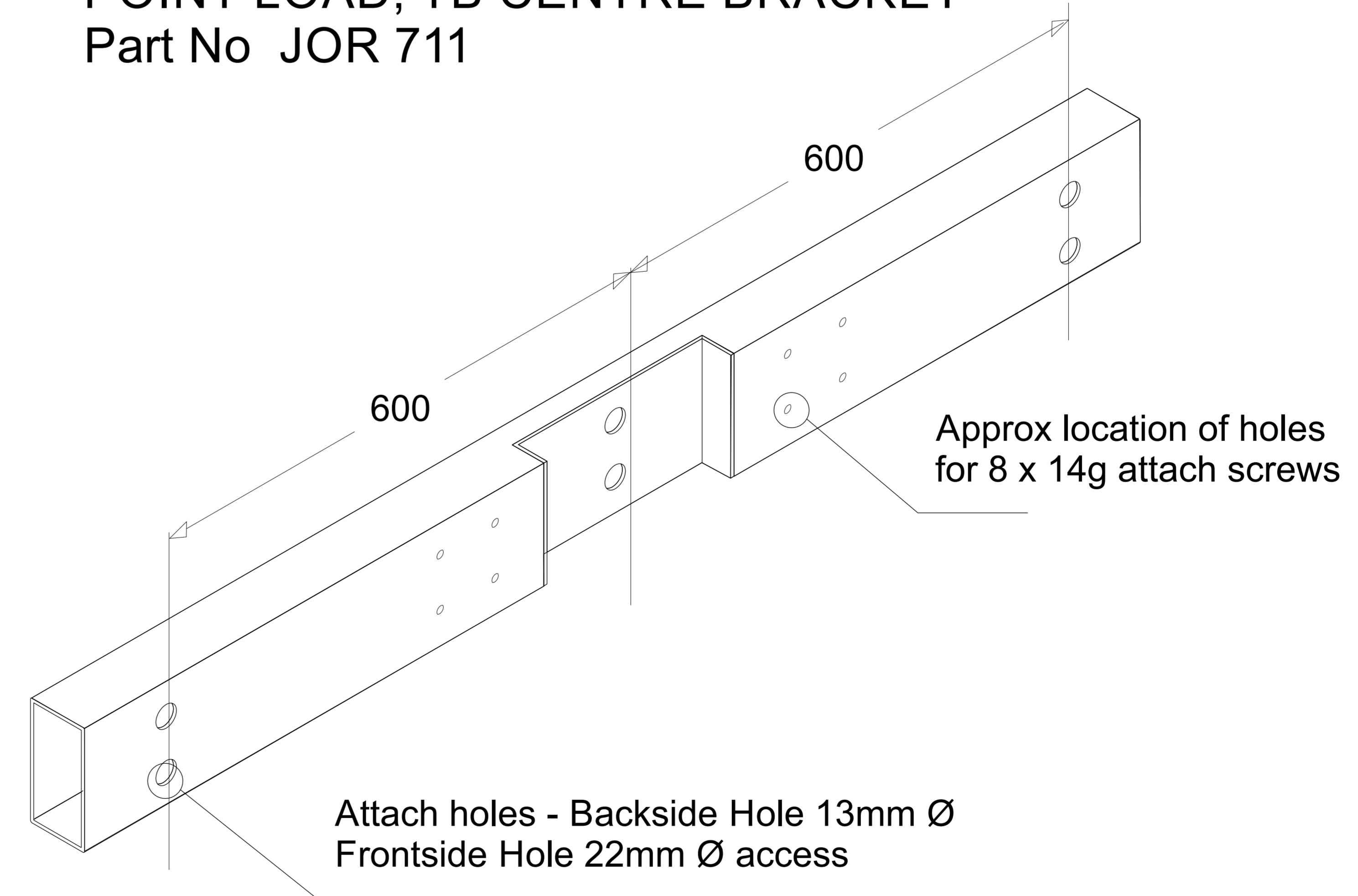


JOR 710 Steel RHS 100 x 50 x 3 x 0.8m. Duragalv securely screwed to studs or lintel with 4 x M12 SS Coachscrews. Drill attach holes to line up with studs (if needed) or use existing holes into lintel. Mount hard into 507 beam corners



Point Load attach to Wall Ends - JOR 710 Steel Centre - JOR 711 Steel Mount on a Wedge

POINT LOAD, TB CENTRE BRACKET Part No JOR 711



JOR 711 Steel RHS 100 x 50 x 3 x 1.4m. HD Galv securely screwed to studs or lintel with 6 x M12 SS Coachscrews. Drill attach holes to line up with studs (if needed) or use existing holes into lintel

Important Installation Notes:

- 1 - A Design engineer must ensure the building structure can support the appropriate wind loading
- 2 - Coachscrews 90mm min thread engagement into joists
- 3 - Bond all coachscrews with SIKA Supergrip to full depth
- 4 - An EPDM, Rubber or Foam Tape layer must be installed between the JOR 507 and Steel
- 5 - All fixings must be Stainless Steel