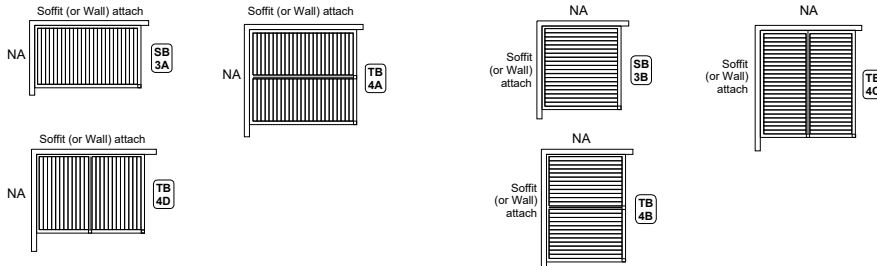
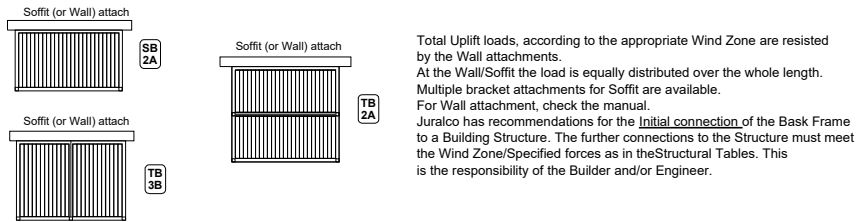
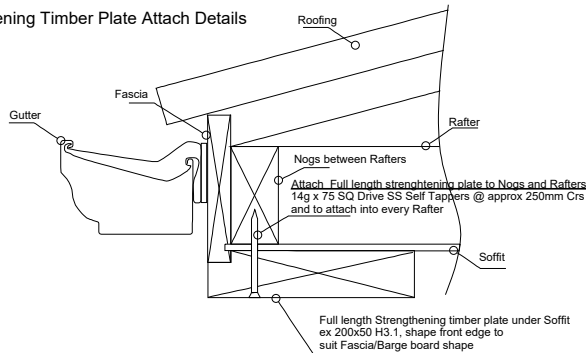


Notes:

- 1 - Only applicable to Louvres perpendicular to Wall ie Distributed Load, Soffit (or Wall Attach). Refer to Bask Manual
- 2 - Applies to Soffit overhangs of 400mm or less. You will need site specific Engineering if greater than 400mm



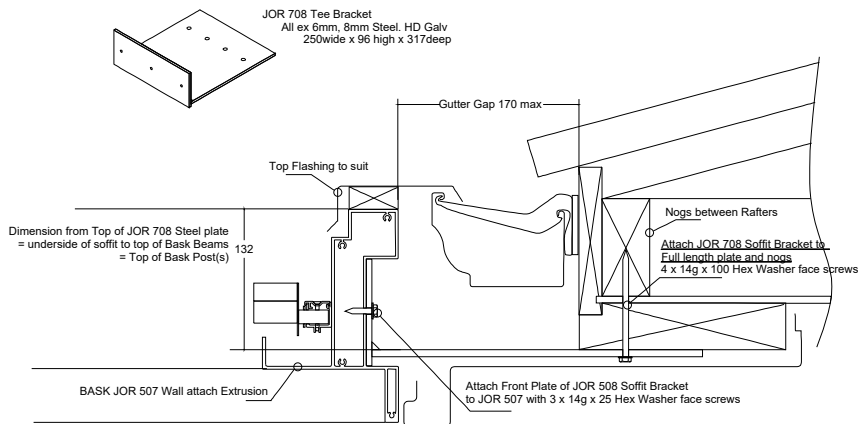
1 - Suggested Soffit Strengthening Timber Plate Attach Details



2 - JOR 708 Soffit Steel Bracket Attach Details

Important Note:

Juralco can only guarantee the suitability of the initial connections.
In this case the 14g screws attaching the JOR708 bracket to the BASK structure and the JOR708 bracket to the full length Timber Plate ex 200x50.
All subsequent connections and strengthening to a structure are the clear responsibility of the builder/ installer.
Any other specifications on this page are general suggestions only.
Please refer to the Juralco Bask Manual/Structural/Configurations/Areas /Wind Zones for guidance on Forces the structure will have to withstand.



Important Installation Notes:

- 1 - A Design engineer must ensure the building structure can support the appropriate wind loading
- 2 - An EPDM, Rubber or Foam Tape layer must be installed between the JOR 507 and Steel
- 3 - All fixings must be Stainless Steel