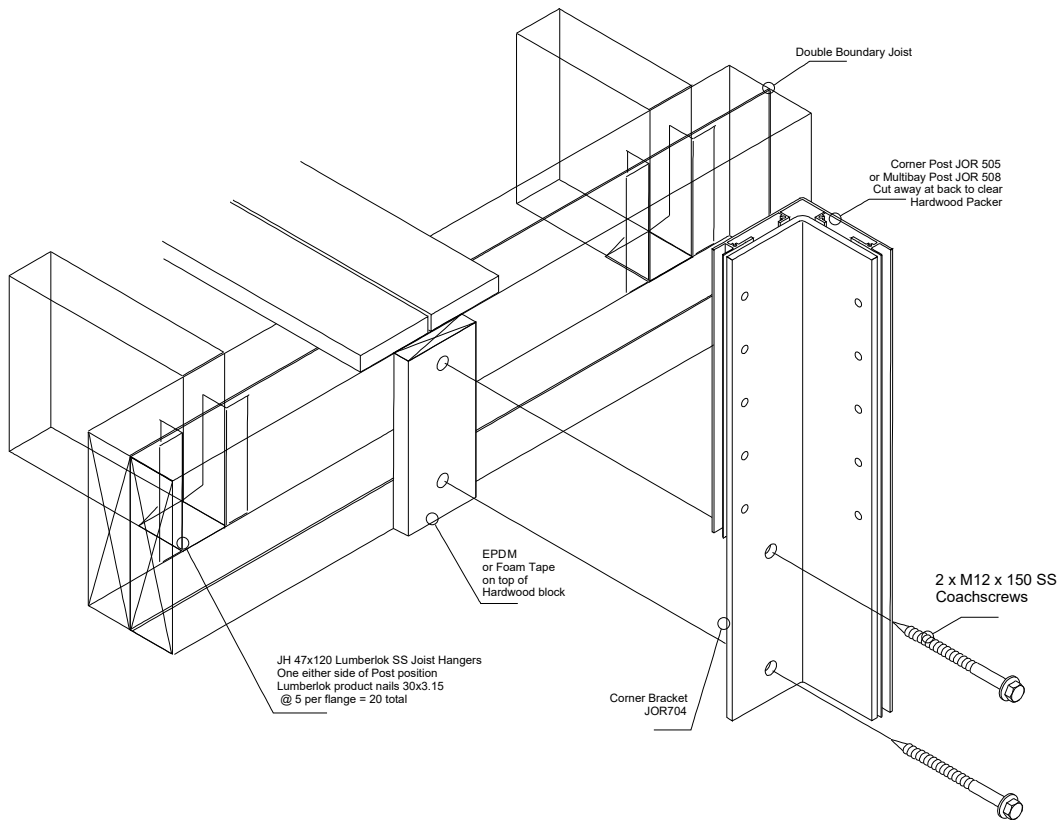
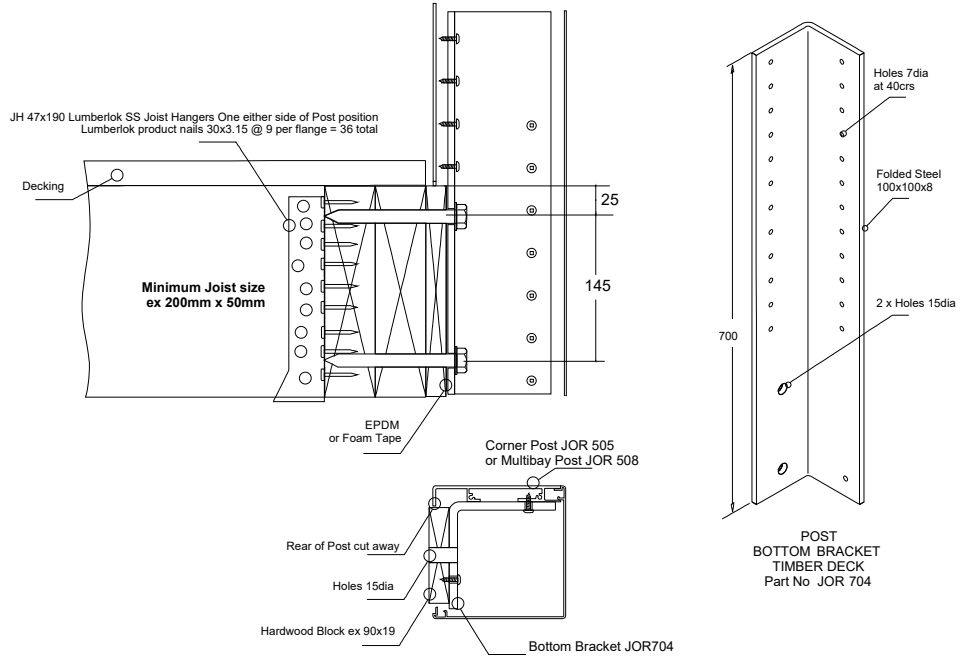


Typical FACE Fix to Timber (Deck Outer Edge) - Bask Corner Post JOR 505, M12 SS Coachscrews

**Important Note:**

Juralco can only guarantee the suitability of the initial connection. In this case the 2 x M12 Coachscrews into the Double Boundary Joist. All subsequent connections and strengthening to a structure are the clear responsibility of the builder/ installer. Any other specifications on this page are general suggestions only. Please refer to the Juralco Bask Manual/Structural/Configurations/Areas /Wind Zones for guidance on Forces the structure will have to withstand..



**Important Installation Notes:**

- 1 - A Design engineer must ensure the building structure can support the appropriate loading at each Post
- 2 - Coachscrews 90mm min thread engagement into joists
- 3 - Bond all coachscrews with SIKA Supergrip to full depth
- 4 - An EPDM, Rubber or Foam Tape layer must be installed between the Post and Timber
- 5 - All fixings must be Stainless Steel