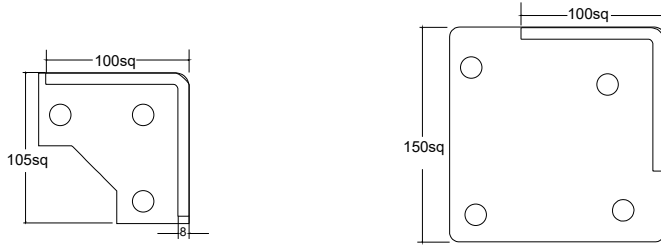


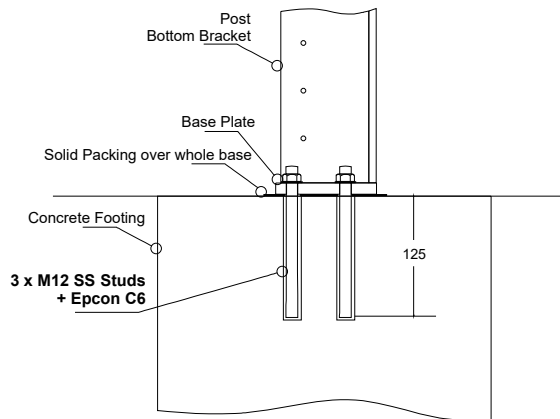
Juralco Bask® Outdoor Living System - Structural - Post attach to Concrete

Important Note - As opposed to all the Timber connections, these Concrete foundations conform to NZS 1170 Appendix D, and can be used as per the specifications, pages 5 - 7. Please refer to the Juralco Bask Manual/Structural/Configurations/Areas /Wind Zones for guidance on Forces the structure will have to withstand.

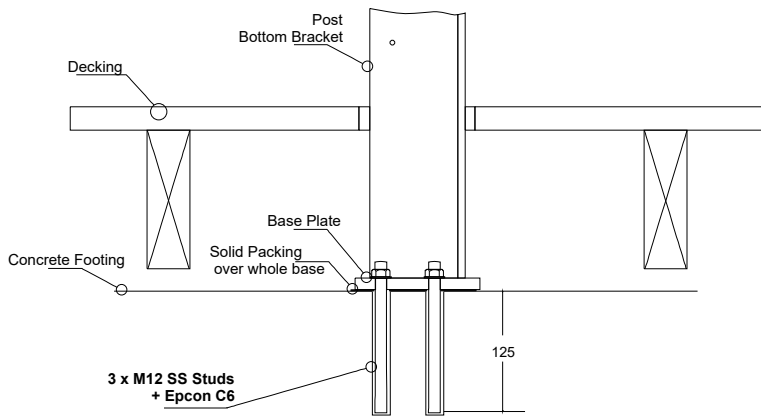


Post, Std Base Bracket
Steel, Hot Dip Galvanised

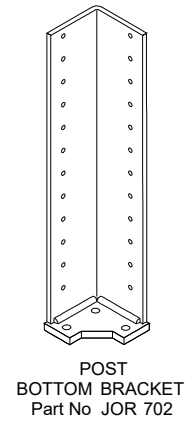
Post, Large Base Bracket
Steel, Hot Dip Galvanised



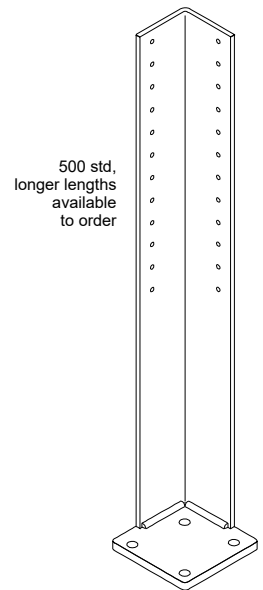
Typical Mounting to Concrete Footing or Concrete Slab



Typical Mounting to Concrete Footing through a Timber Deck, using extra long Corner Post Bracket



POST
BOTTOM BRACKET
Part No JOR 702



500 std,
longer lengths
available
to order

POST
BOTTOM BRACKET,
WIDE BASE,HIGH
Part No JOR 706

Important Installation notes:

- 1 - A Design engineer must ensure the structure can support the appropriate loads
- 2 - All fixings must engage into the structural slab
- 3 - A Rubber, EPDM or Foam Tape layer must be installed between the Base plate and Concrete
- 4 - All fixings must be Stainless steel