



JURALCO

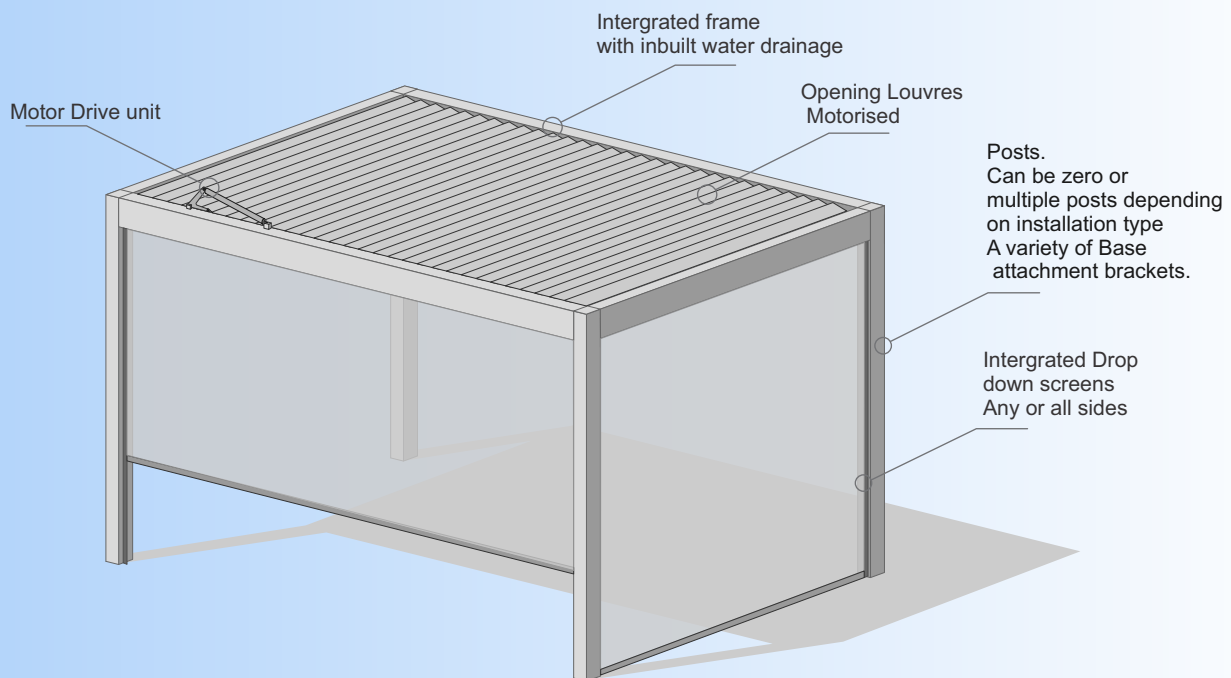
HOMEPLUS® OUTDOOR LIVING SYSTEMS

ISSUE 7/17

Juralco Aluminium Building Products Ltd designs and distributes specialist aluminium joinery systems through a national network of franchised fabricators and agents. For more than 25 years we have been at the forefront of specialist aluminium door and window products suitable for New Zealand joinery and building methods. Our comprehensive product range includes security and insect screens, balustrades and gates, shutters and awnings, shower screens, wardrobe doors and organisers and internal doors.

The HomePlus® Outdoor Living System is solution for extra outdoor shelter for you home. The high quality extruded aluminium structure and louvres can be custom powder coated in a colour of your choice. The motorised ceiling louvres when closed form a more weatherproof seal. The structure can be added to with drop down screens, on any or all sides.

HomePlus Outdoor Living System - Features (Freestanding Series, 4 Post shown)



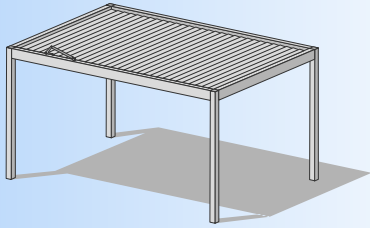
The HomePlus Outdoor Living System is built from the following sub systems...

- Louvres. One type only. Pivot pin at one end; designed to provide a more weatherproof seal when closed. Motorised only
- Posts. These are a two part post, with inner steel angles top and bottom. Always situated at the corners.
At ground level they can be connected to foundations in a variety of ways including a hidden base plate.
There may be up to 6 x Posts (Twin bay, Freestanding). A hidden drainage down pipe in one post is possible.
- Beams. The Beams contain all the pivots for Louvre rotation and the Motor actuator
All these beams are of two types, depending on Wall attachments or corner Posts
All beams have a hidden drainage channel to catch rain.
- Drop down Screens. Screens from the SolarZip range can be completely hidden inside the Frames thus making this a very useable extra all weather space.
- For larger installations a Multi bay setout is possible.
- LED lighting can be incorporated in the Top Frame.

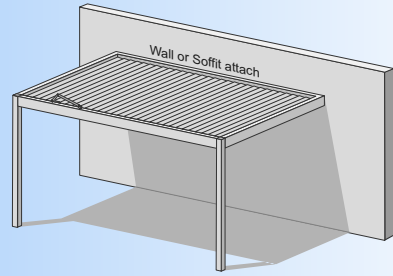
The HomePlus Outdoor Living System is wholly manufactured by Juralco and supplied as a kitset.
All pre-manufactured, assembled and tested in factory before disassembly, packing and despatch.
All assembled on site - no need for heavy lifting.

Note : These are our Standard Layouts - Many other configurations are possible. Please enquire

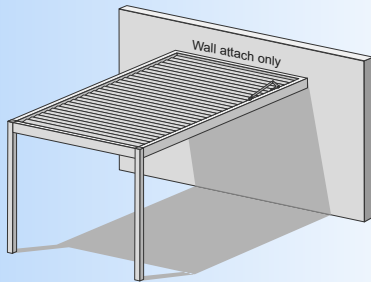
SB-1 Single Bay - Freestanding Series 4 Post.
Up to 4 Solar Zip dropscreens (optional)



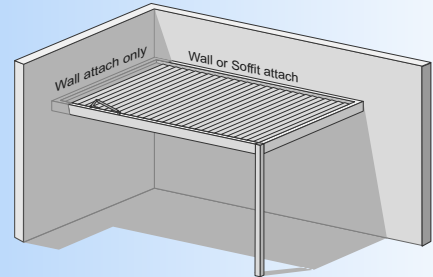
SB-2A Single Bay - One Wall Series - 2 Posts.
Up to 3 Solar Zip dropscreens (optional)



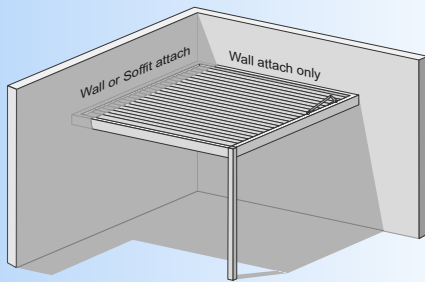
SB-2B Single Bay - One Wall Series - 2 Posts.
Up to 3 Solar Zip dropscreens (optional)



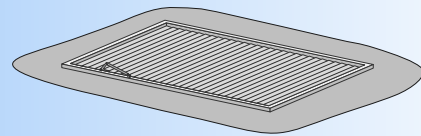
SB-3A Single Bay - Two Wall Series - 1 Post.
Up to 2 Solar Zip dropscreens (optional)



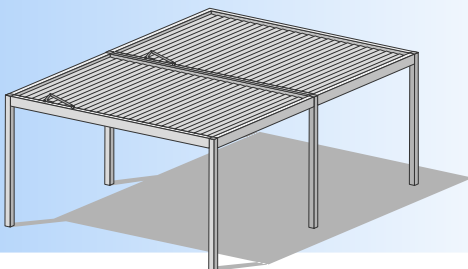
SB-3B Single Bay - Two Wall Series - 1 Post.
Up to 2 Solar Zip dropscreens (optional)



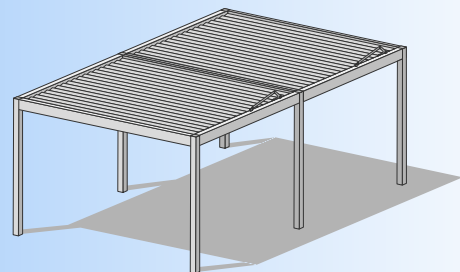
SB-4 Single Bay - Integrated Series - No Posts
No Solar Zip dropscreens



TB-1A Twin Bay - Freestanding Series , 6 Posts
Up to 6 x Solar Zip dropscreens (optional)

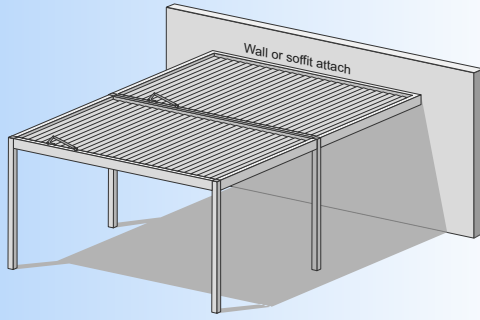


TB-1B Twin Bay - Freestanding Series , 6 Posts
Up to 6 x Solar Zip dropscreens (optional)

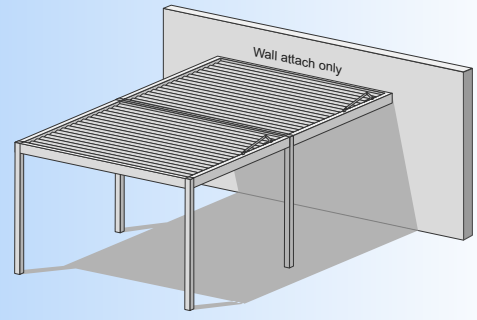


Note : These are our Standard Layouts - Many other configurations are possible. Please enquire

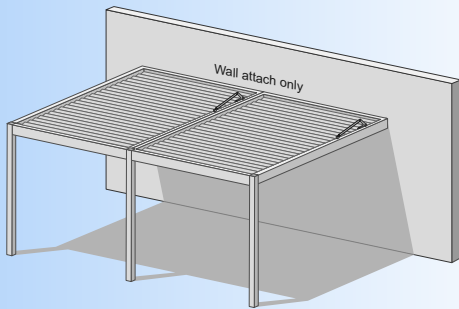
TB-2A Twin Bay - Wall Series , 4 Posts
Up to 5 x Solar Zip dropscreens (optional)



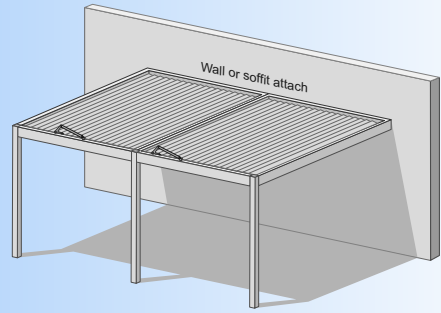
TB-2B Twin Bay - One Wall Series - 4 Post.
Up to 5 Solar Zip dropscreens (optional)



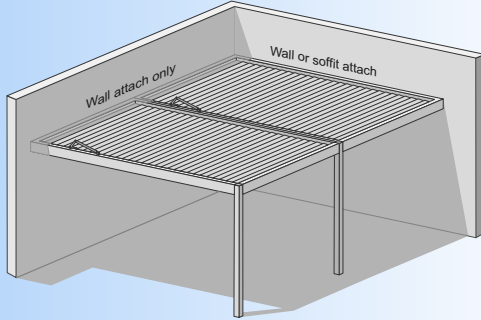
TB-3A Twin Bay - One Wall Series - 4 Post.
Up to 5 Solar Zip dropscreens (optional)



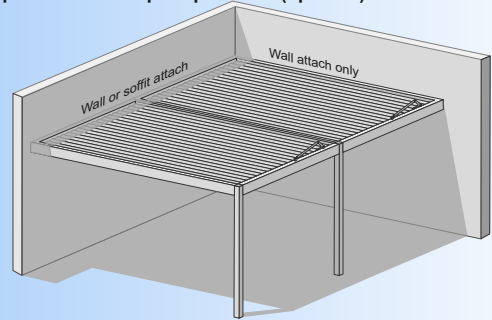
TB-2B Single Bay - One Wall Series - 2 Posts.
Up to 3 Solar Zip dropscreens (optional)



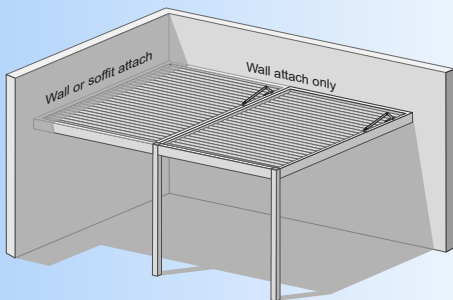
TB-4A Twin Bay - Wall Series , 2 Posts.
Up to 3 x Solar Zip dropscreens (optional)



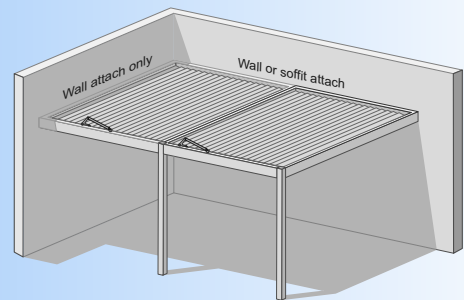
TB-4B Twin Bay - Wall Series , 2 Posts.
Up to 3 x Solar Zip dropscreens (optional)



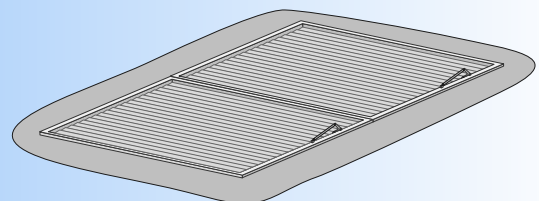
TB-4C Twin Bay - Wall Series , 2 Posts.
Up to 3 x Solar Zip dropscreens (optional)



TB-4D Twin Bay - Wall Series , 2 Posts.
Up to 3 x Solar Zip dropscreens (optional)



TB-5B Twin Bay - Integrated Series - No Posts.
No Solar Zip dropscreens



Index

Pages	Codes	Description
5 - 12	Features	Shows various features of the HomePlus Outdoor Living System and Standard Layouts
13 - 14	Dimensions	Shows max Clearance heights and Overall allowable lengths
15 - 21	Materials	Shows all Extrusions and Components
22 - 26	Joints	Shows Bask Joint details for Beams and Posts
27 - 41	Structural	Shows a range of connection types, all including Area and Wind Zone calculations
42 - 44	Drainage	Shows Drainage options and slope calculations
45 - 46	Electrical	Shows Electrical and Lighting information
47- 52	Dropper Screens	Shows Solar Zip dropper screen details. Motor and Sensor details
53	Powder Coat	Care and maintenance Exterior Powder coated surfaces

Juralco Aluminium Building Products Ltd (JABP) Specifications for HomePlus® Outdoor Living System
1. Scope

- This specification details the documents the Juralco Bask® Outdoor Living System refers to in relation to the New Zealand Building Code, the manufacturer's documents, products used in the System, requirements in relation to fixing and surface finishes.

2. Manufacturer's Documents

- The Juralco Bask® Outdoor Living System manual details all extrusions and components used for the fabrication and installation/fixing of the system.
- Manuals are available from Juralco Aluminium Building Products Ltd
48 Bruce McLaren Rd, Henderson, Auckland
Phone 09 478 8018 Fax 09 478 7883 Email specify@juralco.co.nz

3. Products

- Only extrusions, components and hardware supplied by or specified by JABP may be used in the Bask® Outdoor Living System
- Aluminium extrusions and components – unless specified are manufactured to 6060 T5 specifications
- Stainless Steel components, hardware, fixings – all components to 316 grade or 304.

4. Surface Finishing

- Juralco Aluminium Building Products Ltd is a Dulux Registered Applicator site, registration number 2101. JABP uses only Dulux branded powder coating materials
- Unless specified otherwise, Dulux Duralloy® powder coating system is used for all properties greater than 100m from high tide level where AAMA 2603 performance is required. Dulux Duralloy®, with appropriate maintenance has a 10 yr film integrity warranty.
- Dulux Duratec® powder coating systems must be used for all properties between 10m and up to 100m from high tide level where AAMA 2604 performance is required. Dulux Duratec® with appropriate maintenance has a 20yr film integrity warranty.

5. Installation and Fixing

- The Juralco Bask® Outdoor Living System must only be installed in accordance with the Juralco Bask® Outdoor Living System manual
- The Bask® system Structure and Footings all conform to NZS 3604:2011 and NZS 1170 Appendix D, Wind Zone calculations.

Important instructions for Powder Coatings near Salt Water

The standard Dulux powder coating system used by Juralco is Duralloy® and is suitable for installations greater than 100 metres from high tide level and for buildings up to 3 stories above ground. Use Duratec® for installations between 10 and 100 metres from high tide level and for prestigious residential and commercial developments. For all other applications contact Juralco for alternative systems.

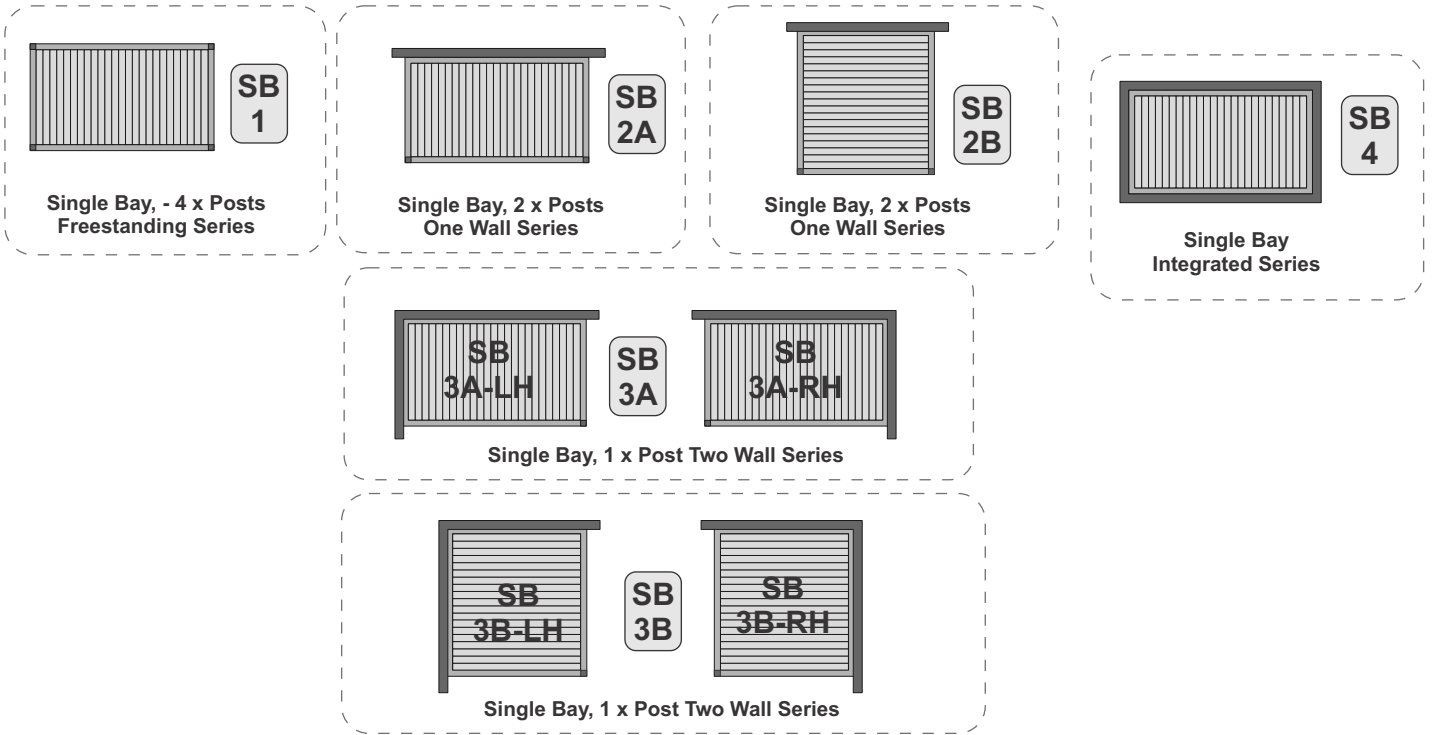
Note - Powder coated prices listed in Juralco price books are for the standard Duralloy® system. If the Duratec® system is required it must be specified upon placement of the order and will incur a surcharge – Duratec® prices on application.

Important instructions for Powder Coating - Attachment to structures

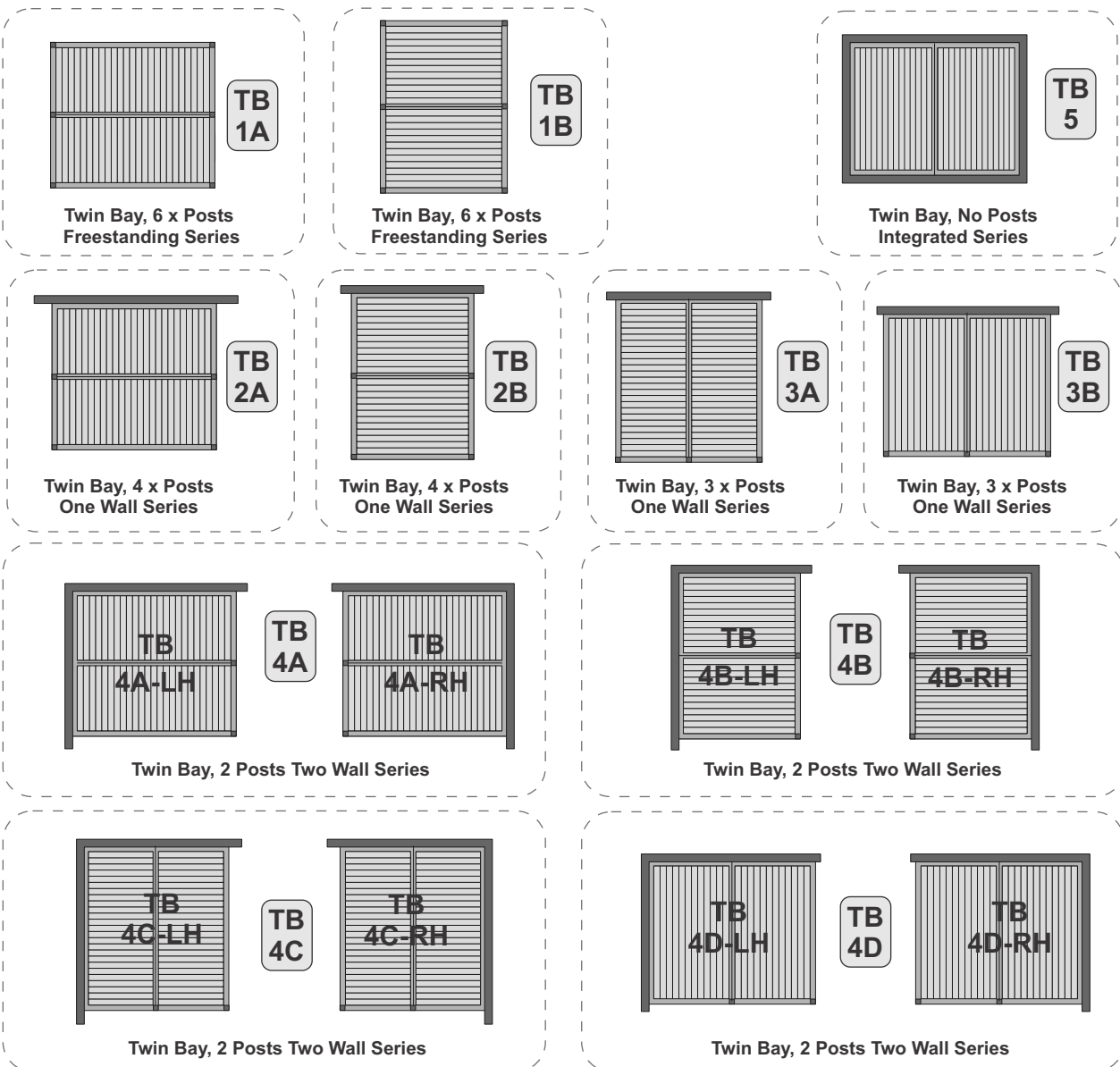
An EPDM or similar material spacer must be used to separate powder coated aluminium items from all timber, concrete and steel structures. Failure to do so can lead to the chemicals in the structure affecting the powder coating layer on the aluminium. Internal Galvanised Brackets inside Bask Posts, EPDM layer not required.

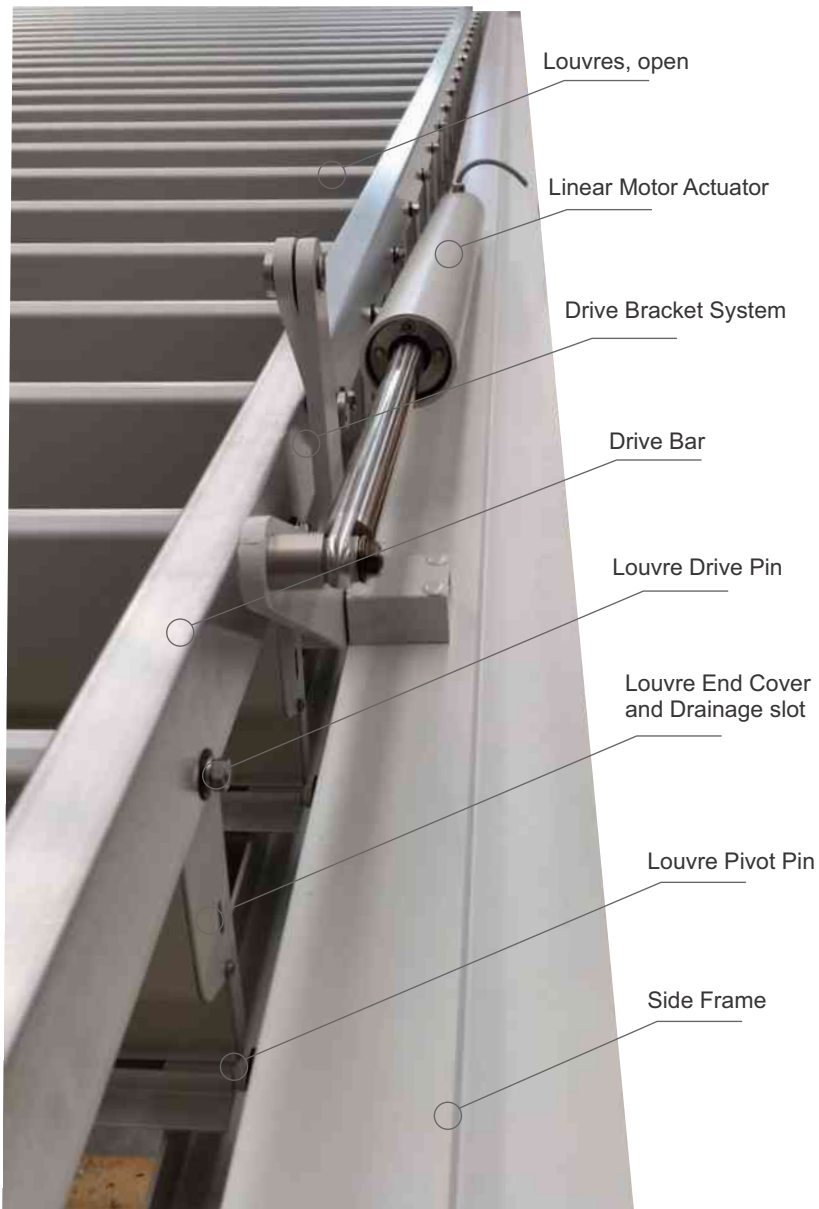
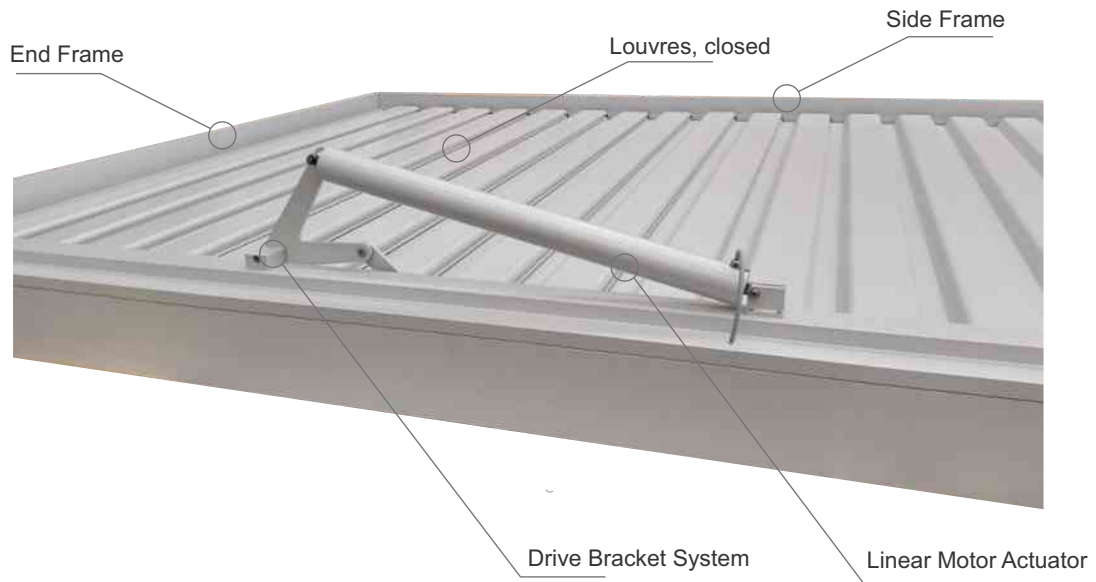
Powder Coating Warranty

The Dulux powder coating warranty period is conditional upon being maintained in accordance with the Dulux 'Care and Maintenance Instructions'. Contact your installer for a copy (or download from Dulux) of the Care and Maintenance instructions or refer to the back page of this manual.



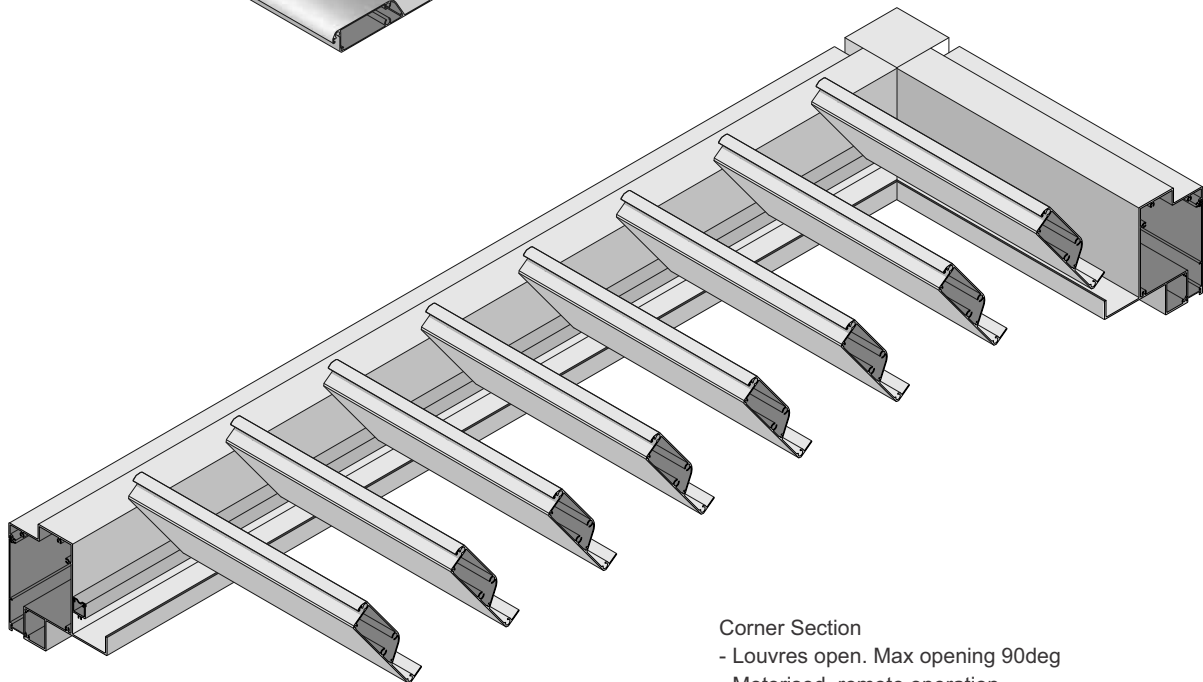
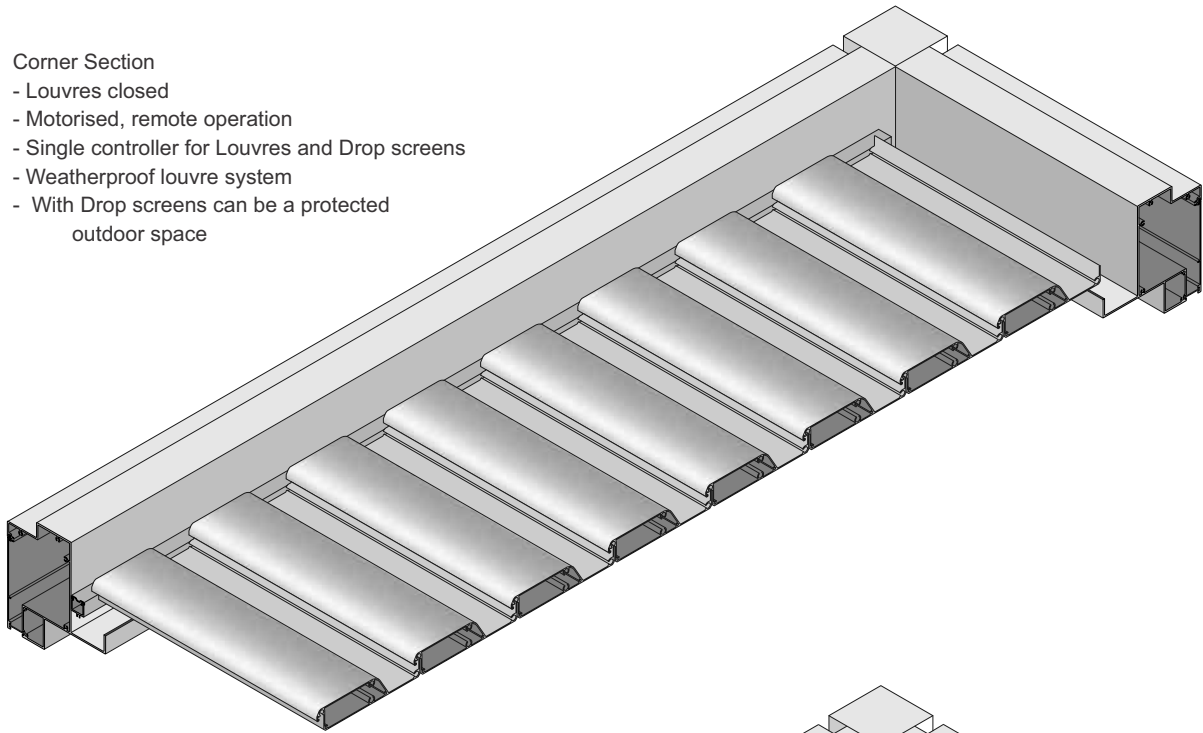
This our Standard range of Layouts. If your requirements differ - please Contact HomePlus





Corner Section

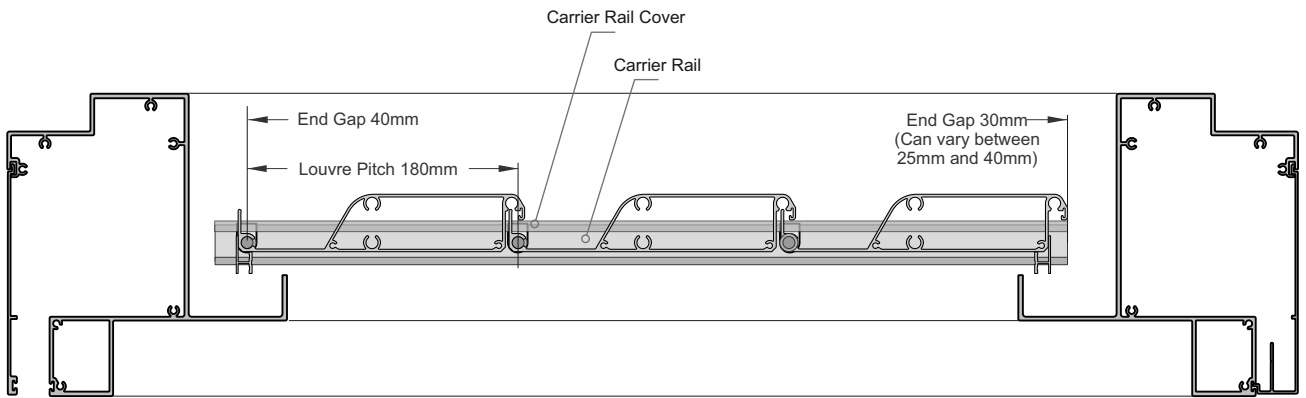
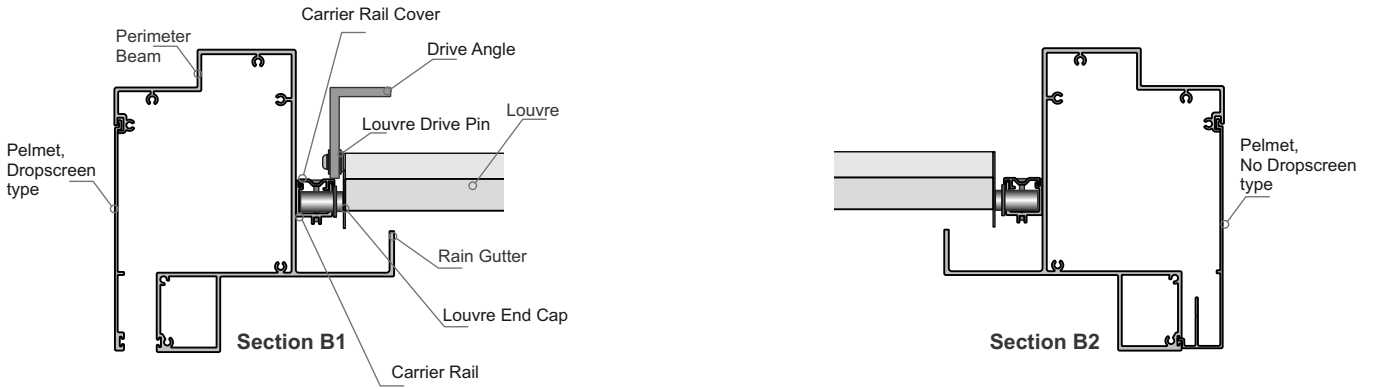
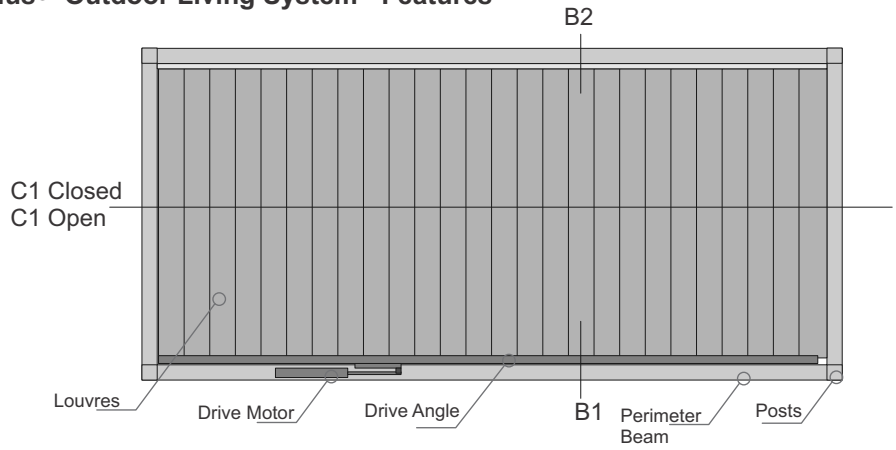
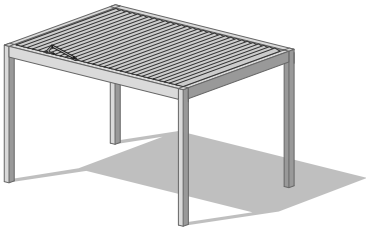
- Louvres closed
- Motorised, remote operation
- Single controller for Louvres and Drop screens
- Weatherproof louvre system
- With Drop screens can be a protected outdoor space



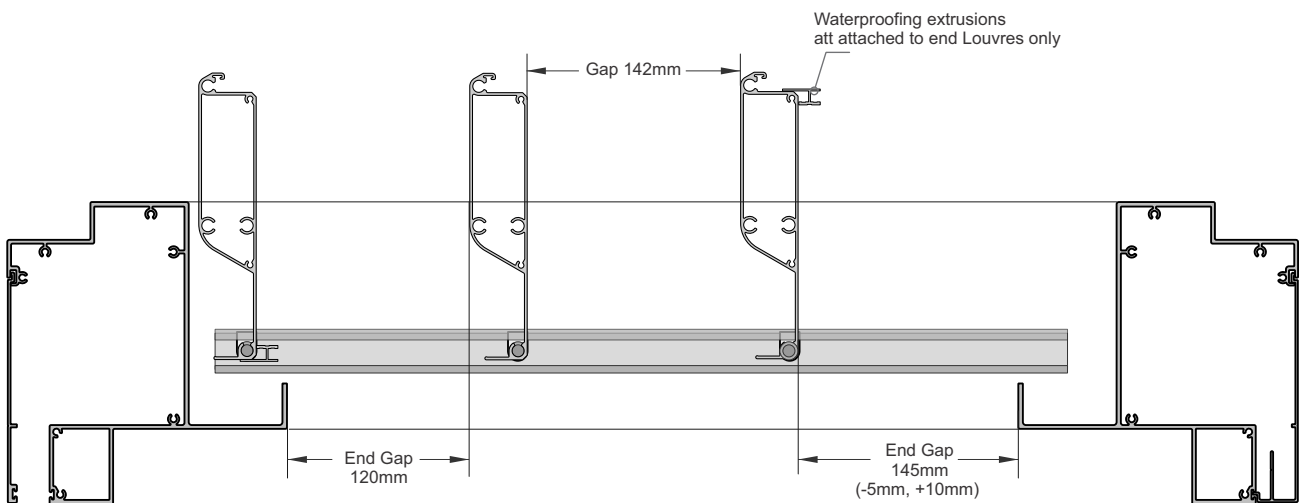
Corner Section

- Louvres open. Max opening 90deg
- Motorised, remote operation
- Single controller for Louvres and Drop screens
- Lets in sunlight, breezes on hot days.
- By choosing louvre orientation can protect from sunlight, while providing ventilation

4 x Posts
Free Standing Series

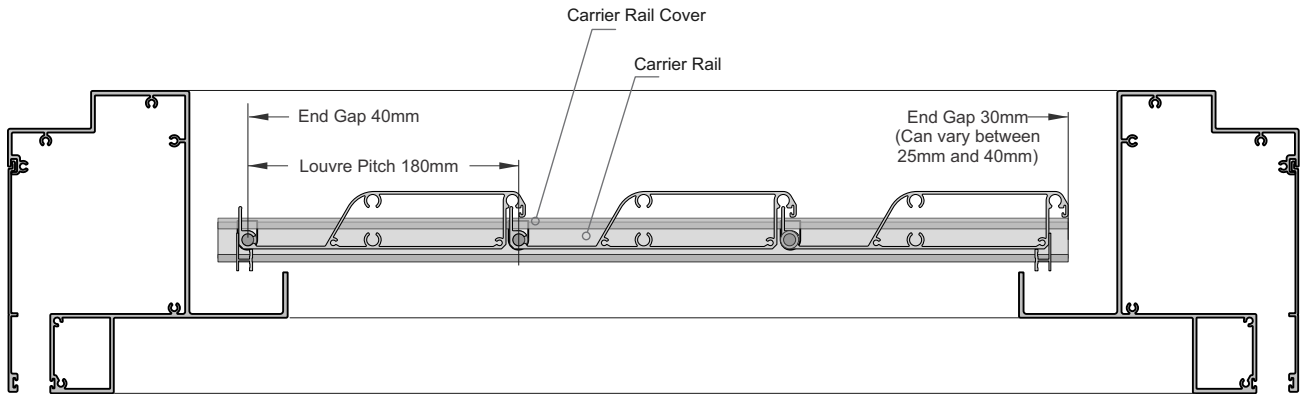
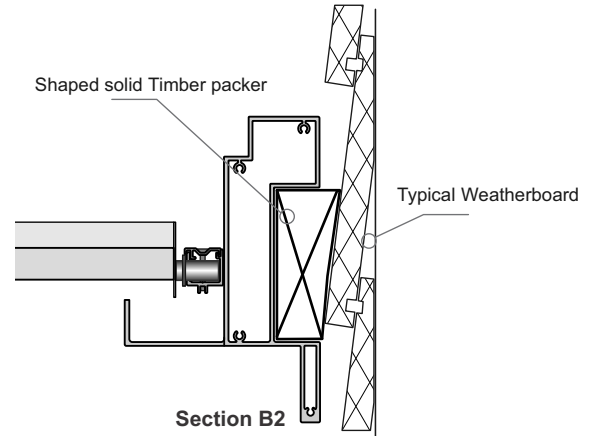
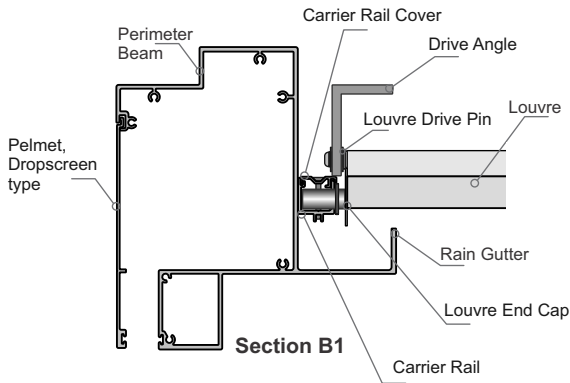
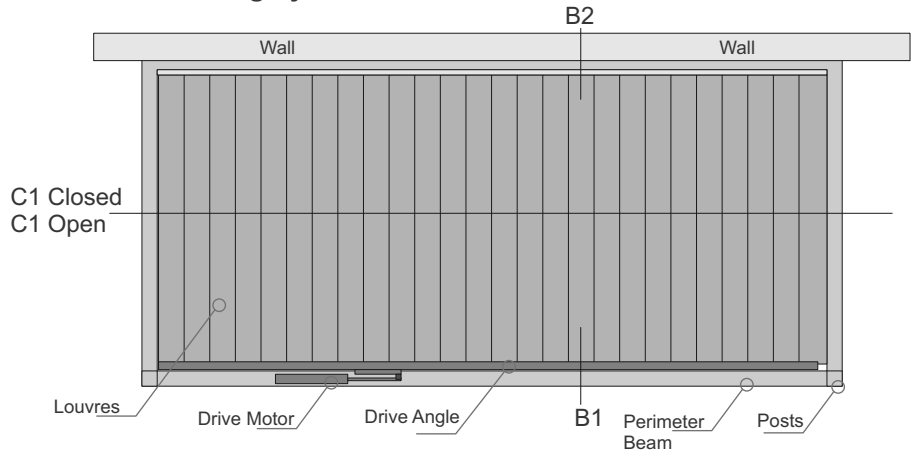
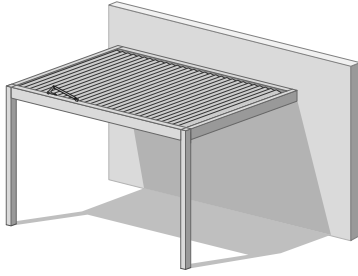


Section C1, closed

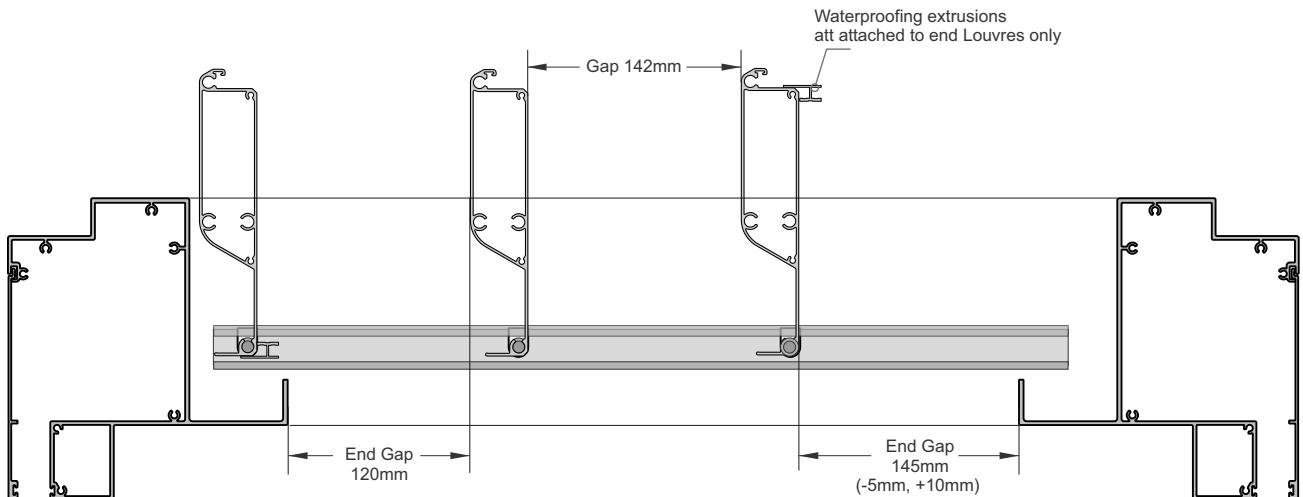


Section C2, Open, full 90deg

2 x Posts
One Wall Series



Section C1, closed

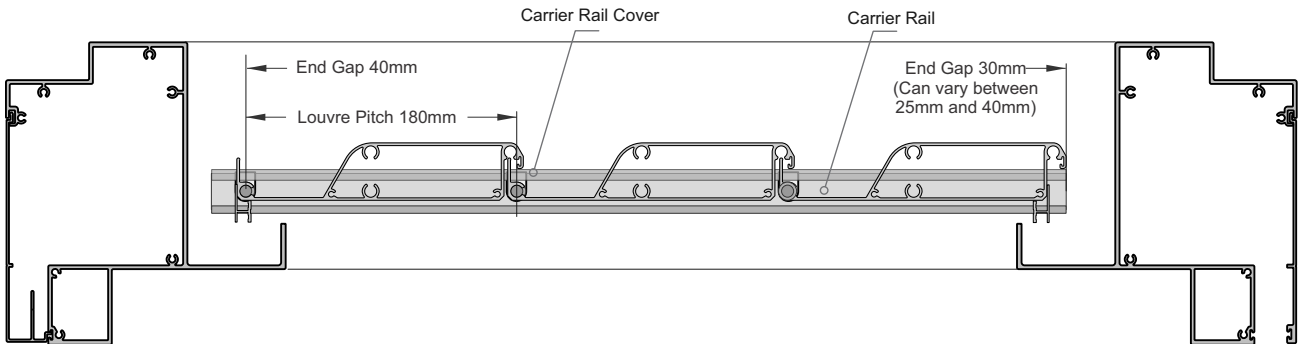
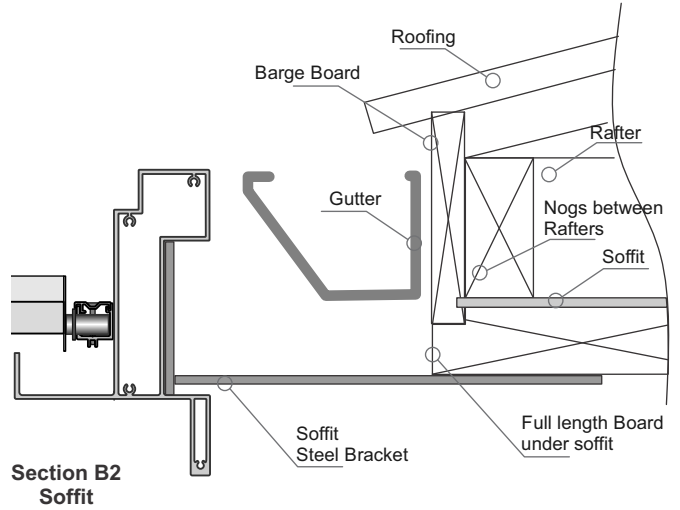
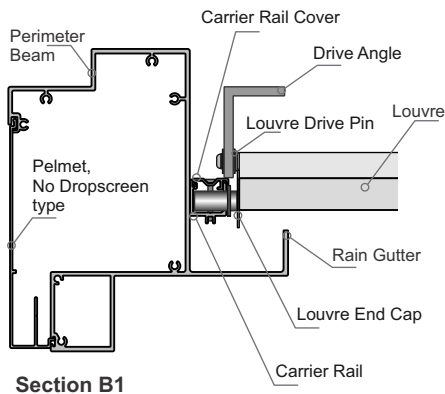
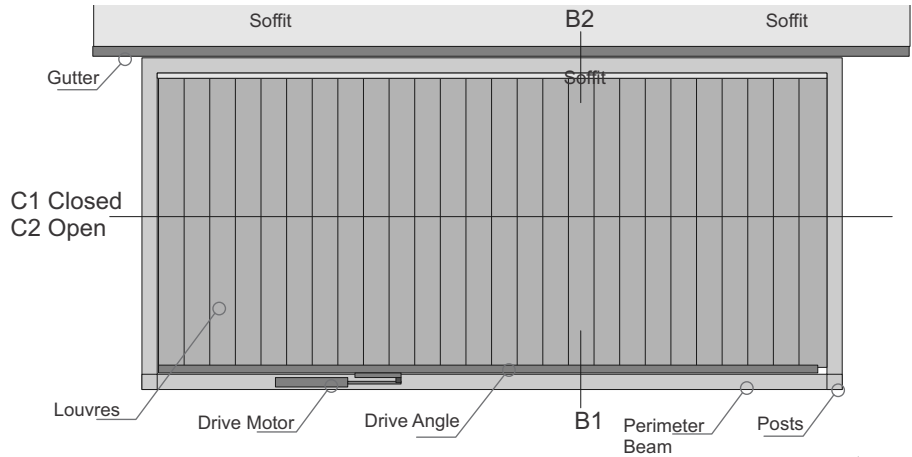
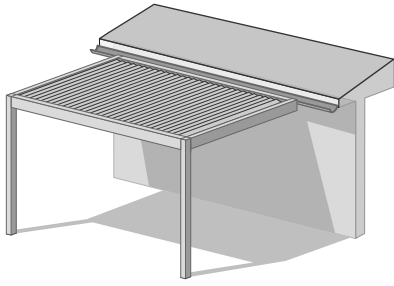


Section C2, Open, full 90deg

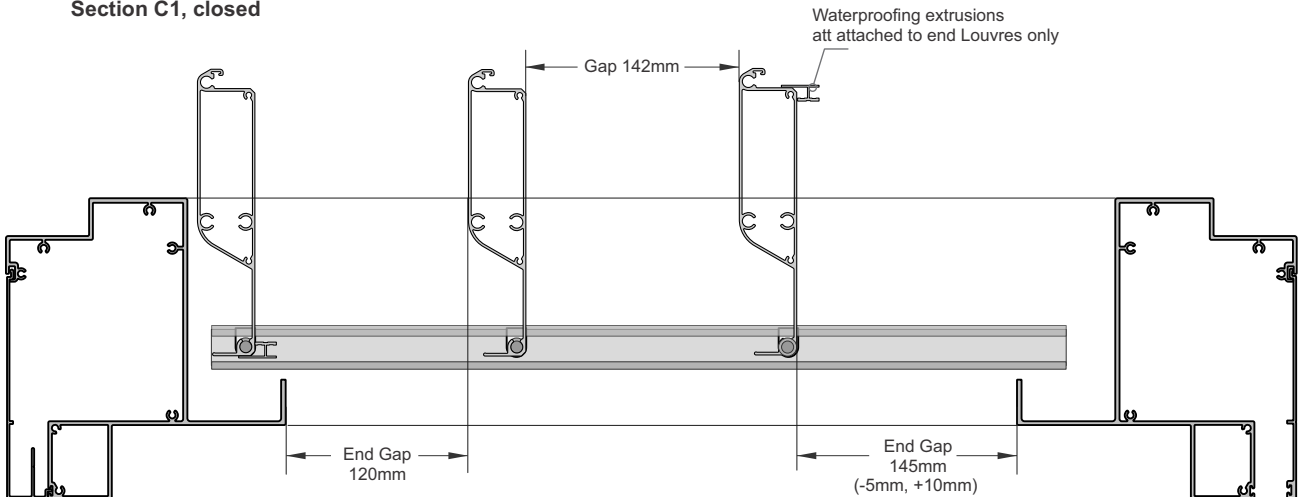


HomePlus® Outdoor Living System - Features

2 x Posts
One Wall Series
(Soffit attach)

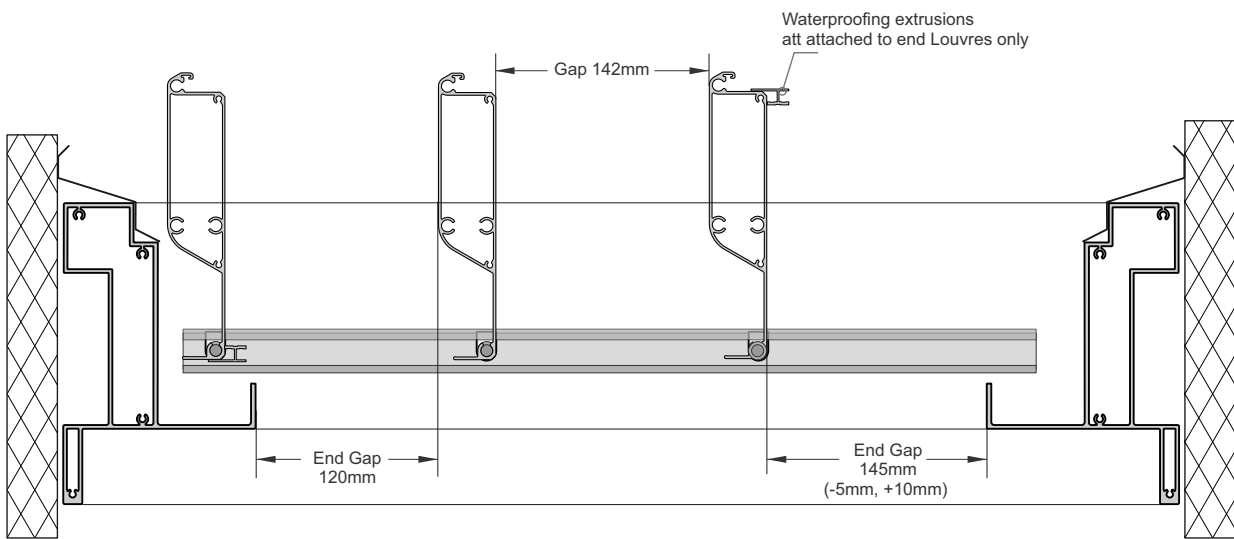
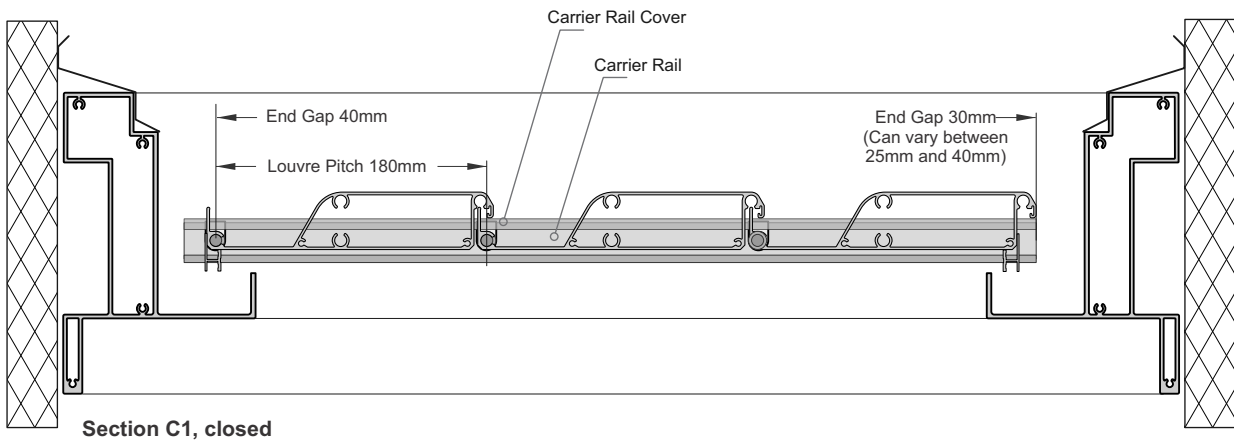
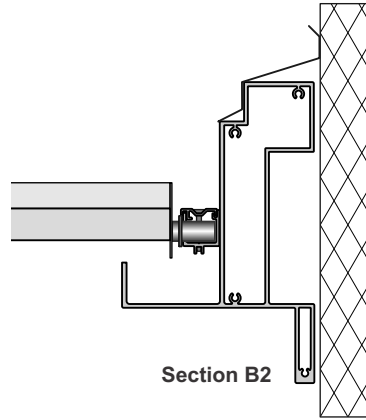
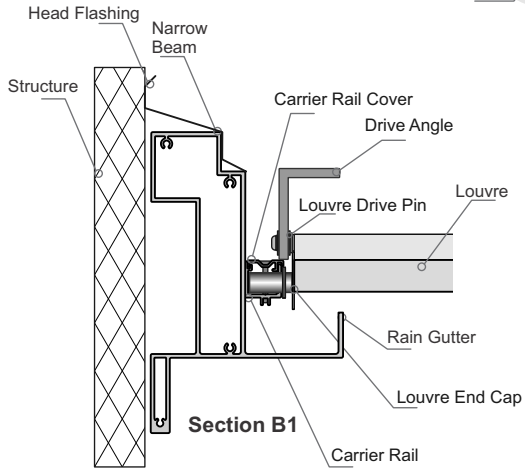
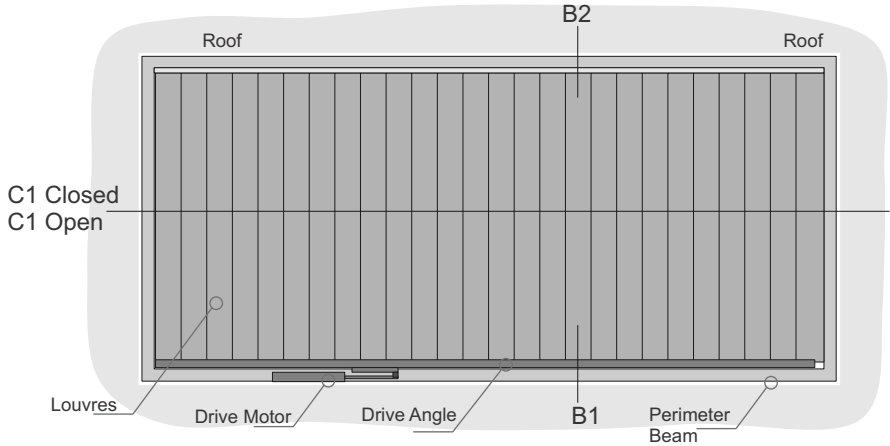
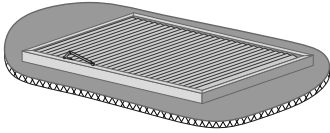


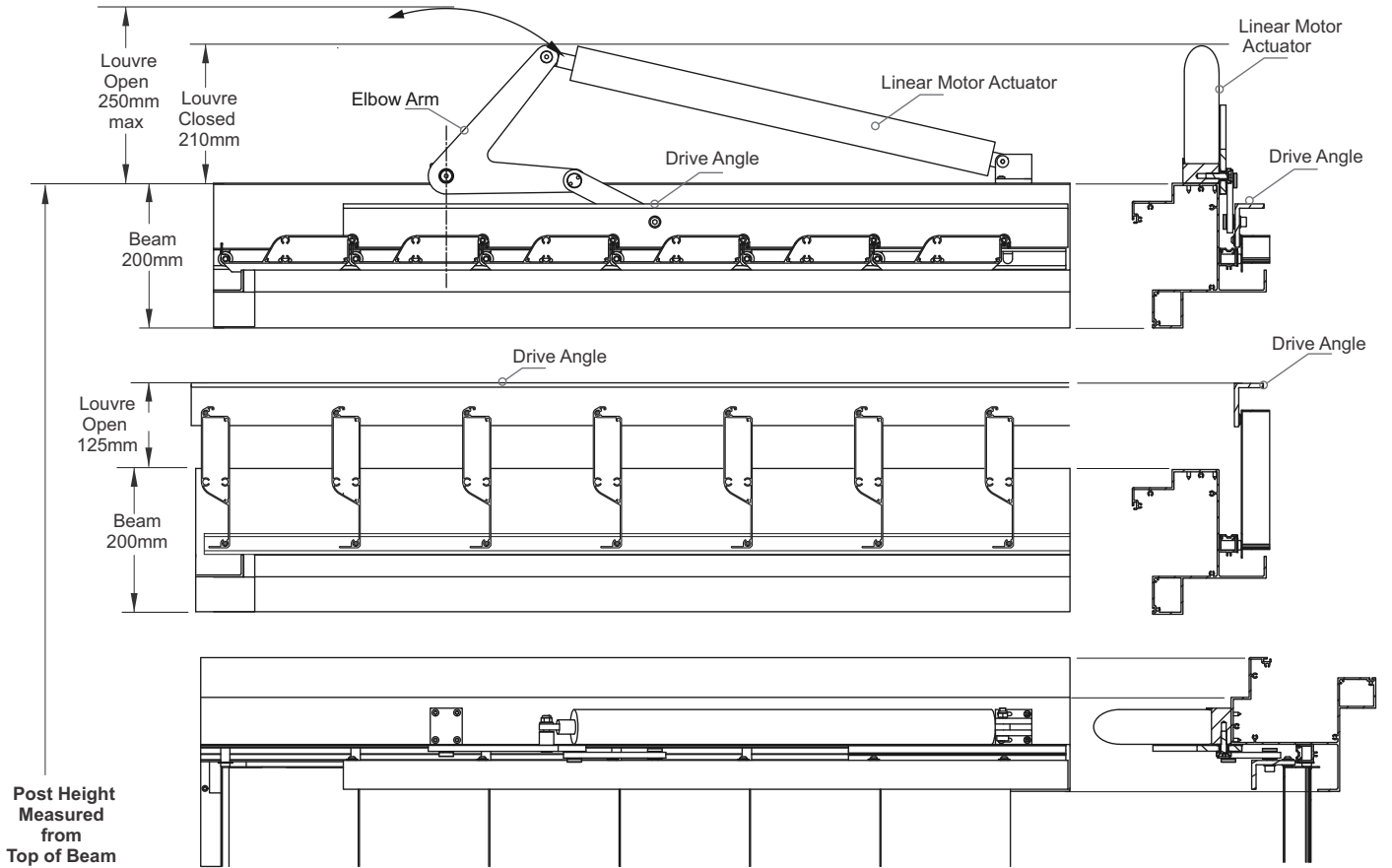
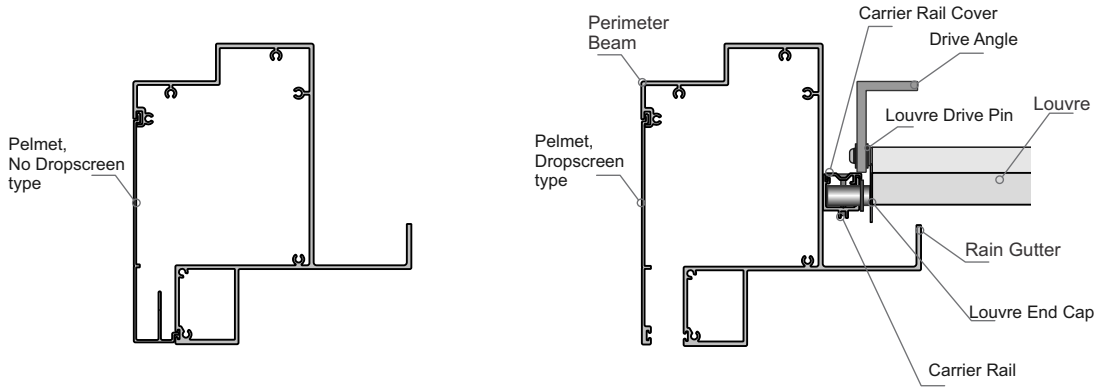
Section C1, closed



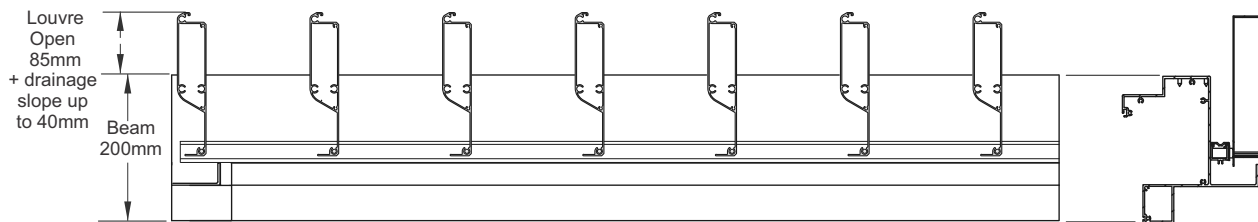
Section C2, Open, full 90deg

Integrated Series



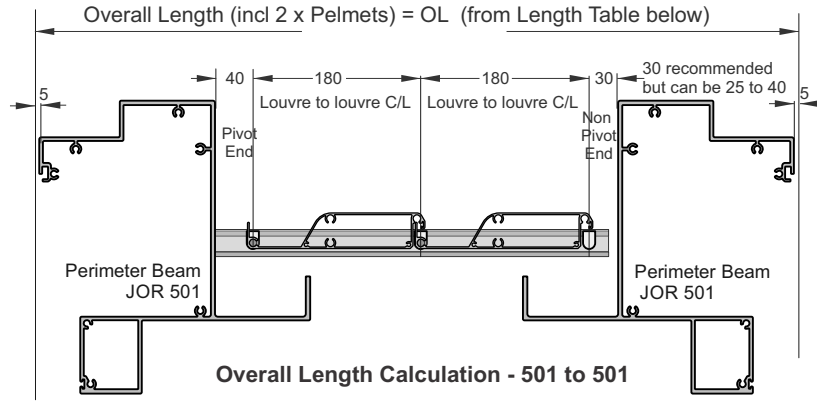


Motor Side Heights above Perimeter Beam

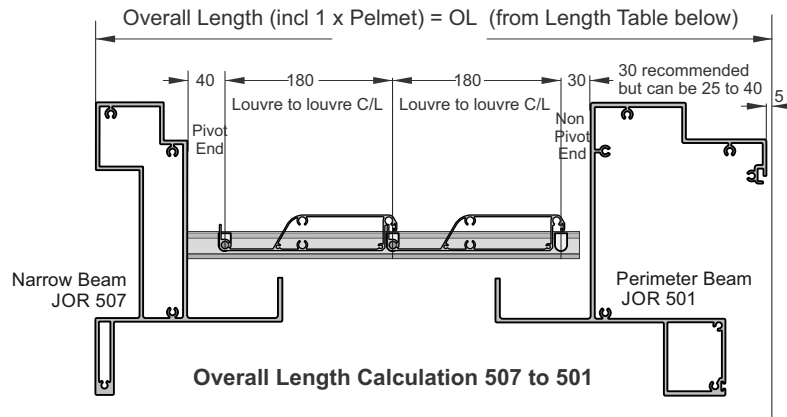


Non Motor Side Heights above Perimeter Beam

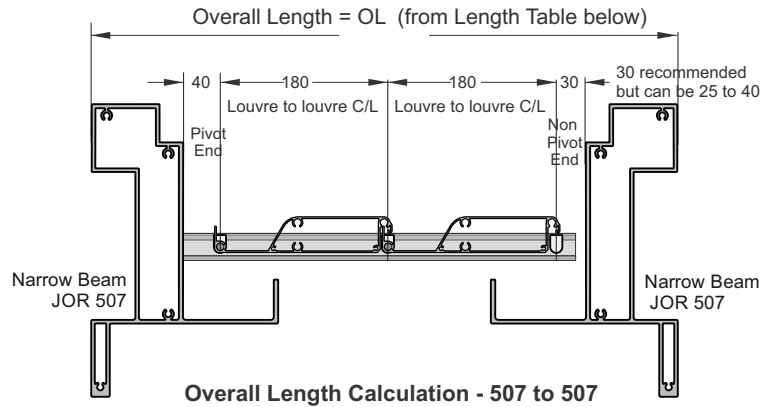
1 - Freestanding Series, 4 x Posts or Wall Series 2 x Posts and Louvres parallel to Wall. Also some Multi Bay configurations



2 - Wall Series 1 or 2 x Posts, Soffit Series 1 or 2 x Posts. Depends on Louvre orientation. Also some Multi Bay configurations



3 - Intergrated Series Into Ceiling/Roof structure. Also some Multi Bay configurations

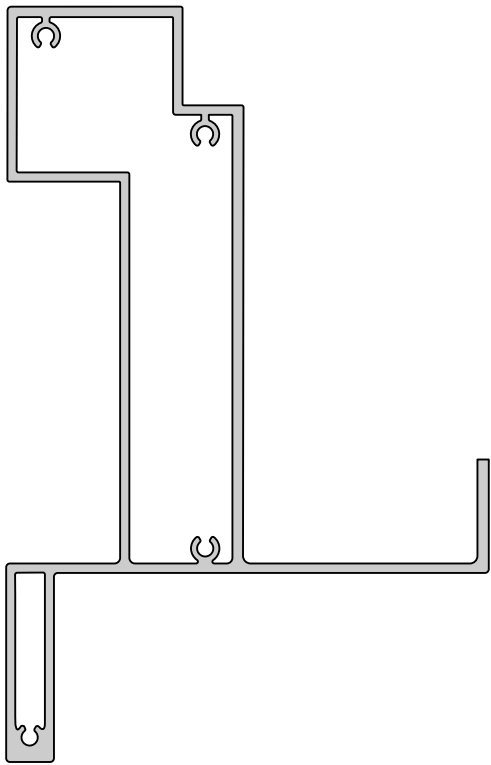


Knowing the type of Beam at each end, choose the nearest allowable overall dimension.

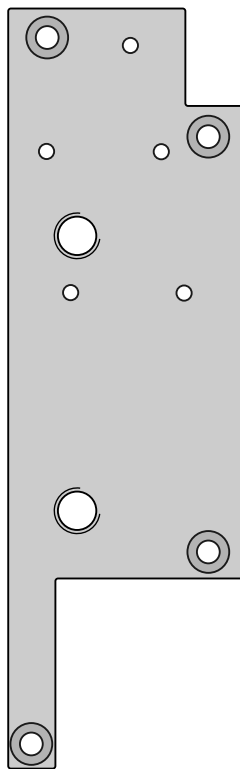
Note - These OL dimensions can be varied by -5 to +10. (the Non Pivot gap end gap, normally 30 can be from 25 to 40mm)

Drop Screens.
Max overall dimension
Side guide wall channel
to other Side guide channel
is 4000mm.
This to fit between Posts
or Post and Wall buildout

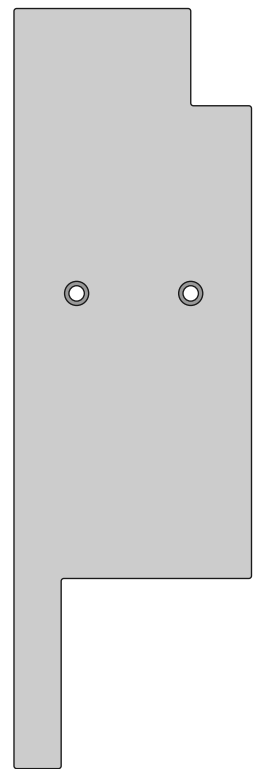
Allowable Overall Lengths = OL			
501 Beam to 501	507 Beam to 501	507 Beam to 507	No Louvres
2120	2058	1995	10
2300	2238	2175	11
2480	2418	2355	12
2660	2598	2535	13
2840	2778	2715	14
3020	2958	2895	15
3200	3138	3075	16
3380	3318	3255	17
3560	3498	3435	18
3740	3678	3615	19
3920	3858	3795	20
4100	4038	3975	21
4280	4218	4155	22
4460	4398	4335	23
4640	4578	4515	24
4820	4758	4695	25
5000	4938	4875	26
5180	5118	5055	27
5360	5298	5235	28
5540	5478	5415	29
5720	NA	NA	30



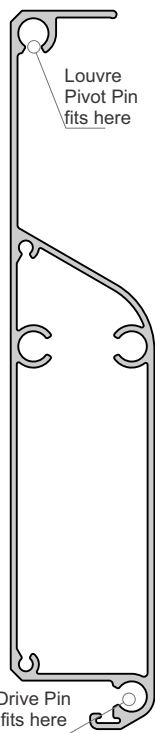
NARROW BEAM
Part No JOR/507/5.8
200mm x 127.5mm



END PLATE for 507 BEAM
Part No JOR621
201mm x 63mm x 6mm

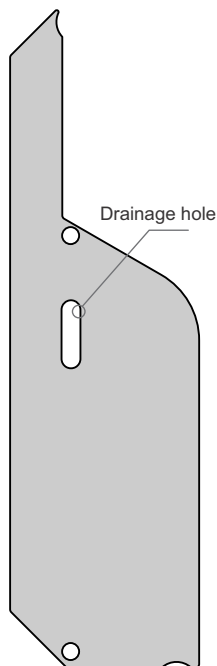


END CAP for 507 BEAM
Part No JOR630
201mm x 63mm



LOUVRE 3.85m
Part No JOR/180/3.85

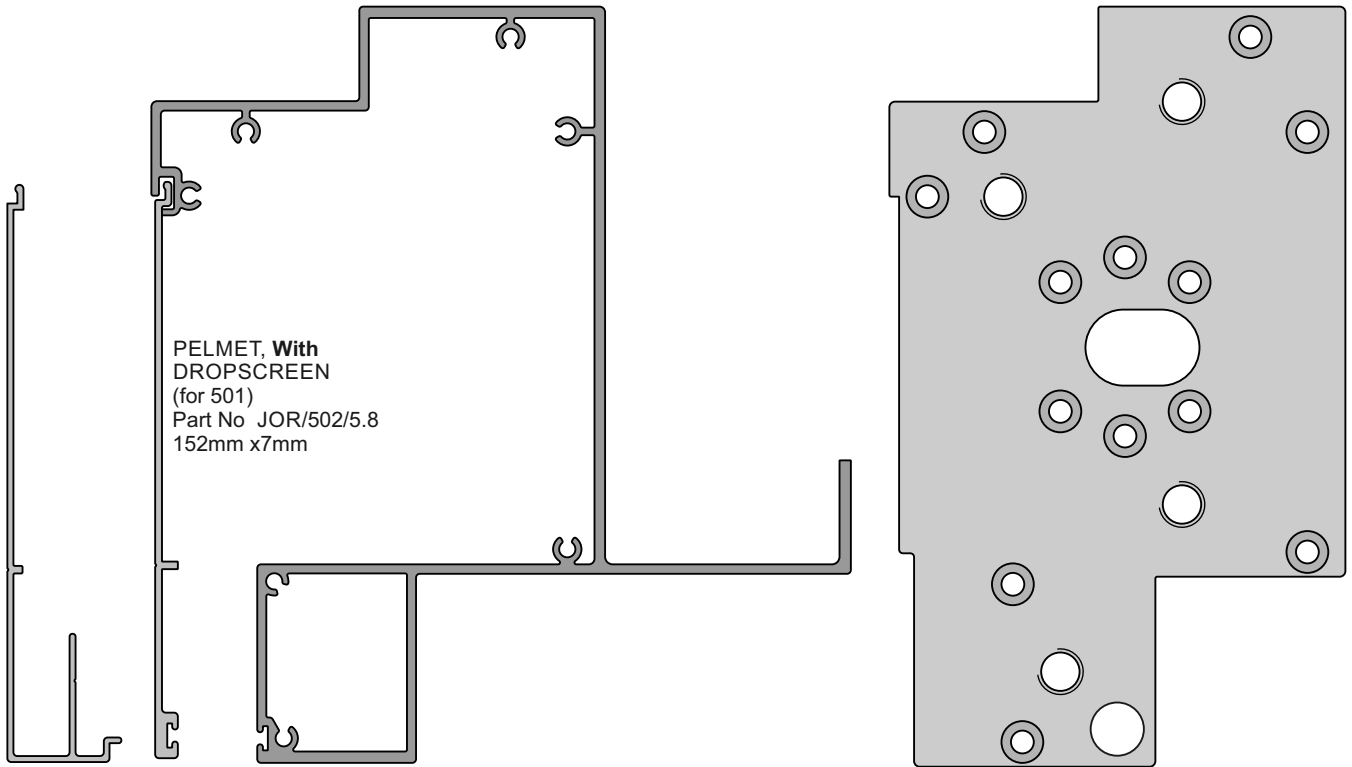
LOUVRE 5.8m
Part No JOR/180/5.8
Both 190mm x 38mm



LOUVRE END CAP
Part No JOR611
174mm x 50mm



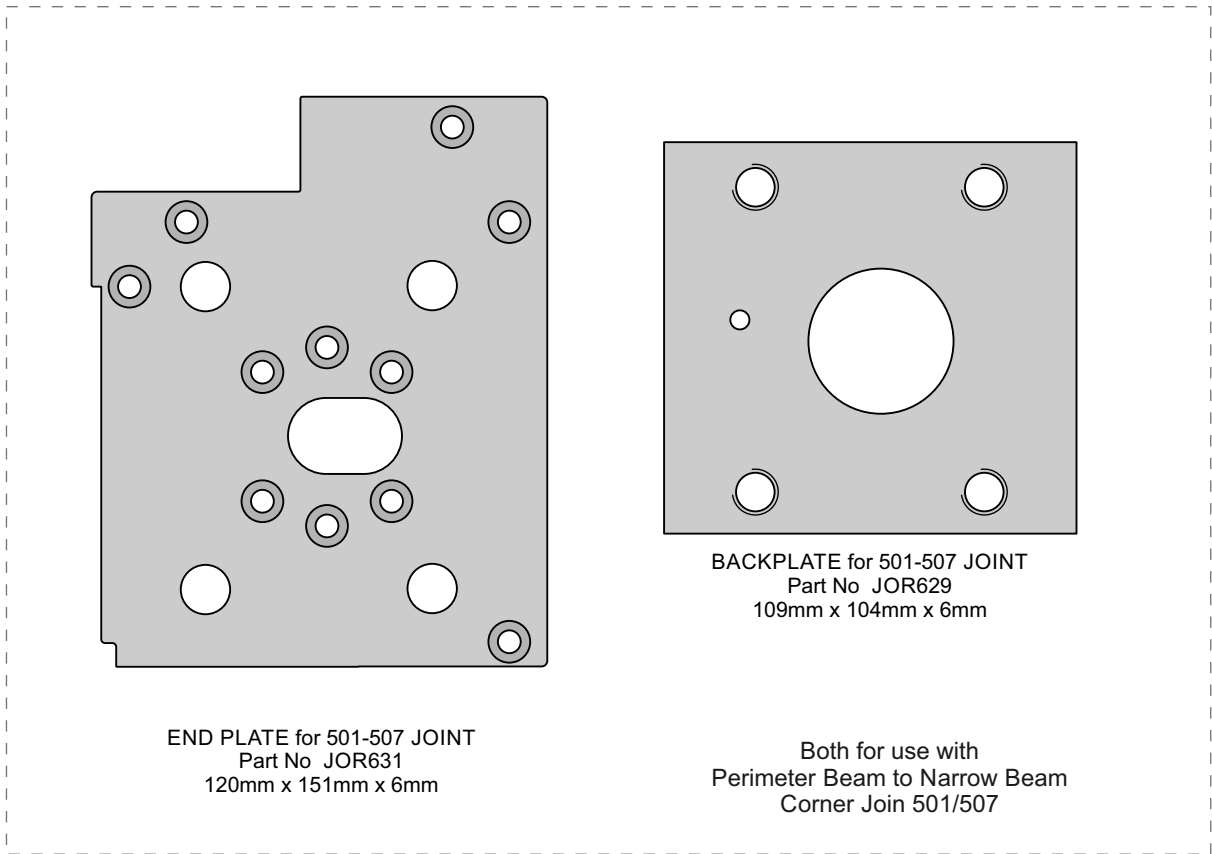
LOUVRE WATERPROOFING
C/304506/2.7
25mm x 10.5mm

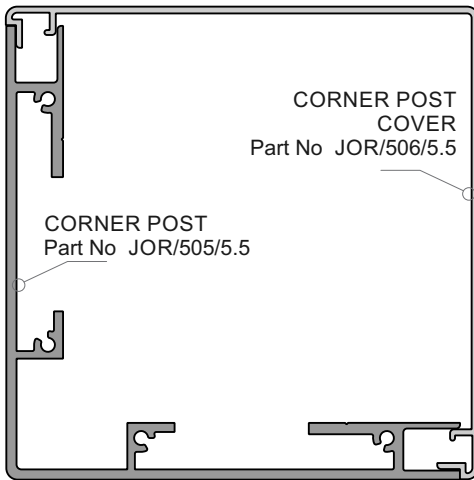


PELMET NO
DROPSCREEN
(for 501)
Part No JOR/510/5.8

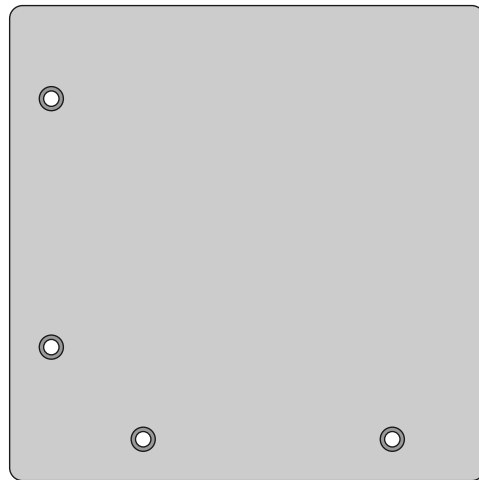
PERIMETER BEAM
Part No JOR/501/5.8
200mm x 185mm

END PLATE for 501 BEAM
Part No JOR601
201mm x 120mm x 6mm

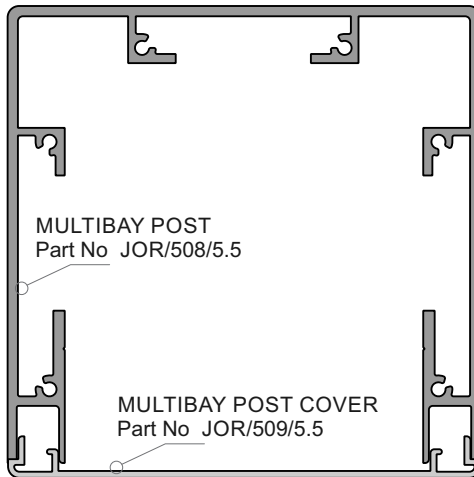




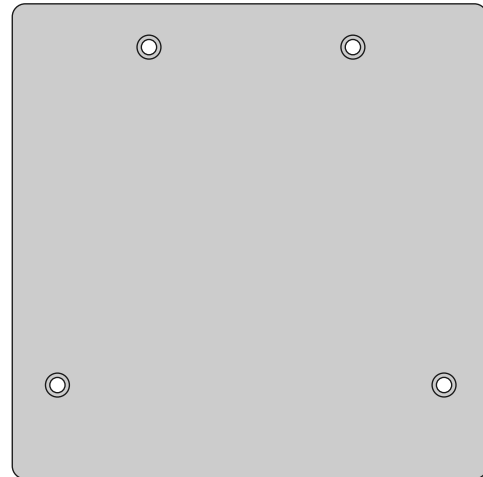
POST and COVER combined 125mm sq



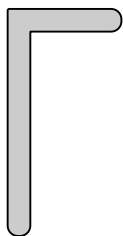
CORNER POST TOP CAP
Part No JOR612
126mm sq x 3mm



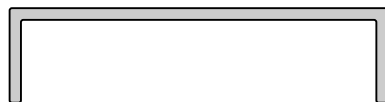
POST and COVER combined 125mm sq



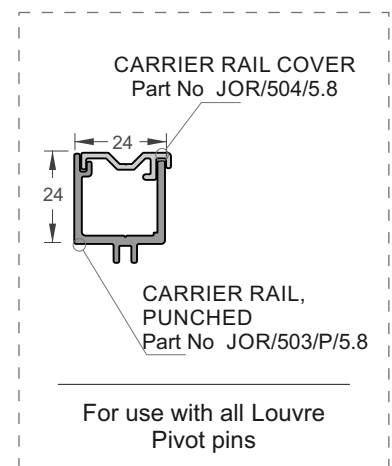
MULTIBAY POST TOP CAP
Part No JOR645
126mm sq x 3mm

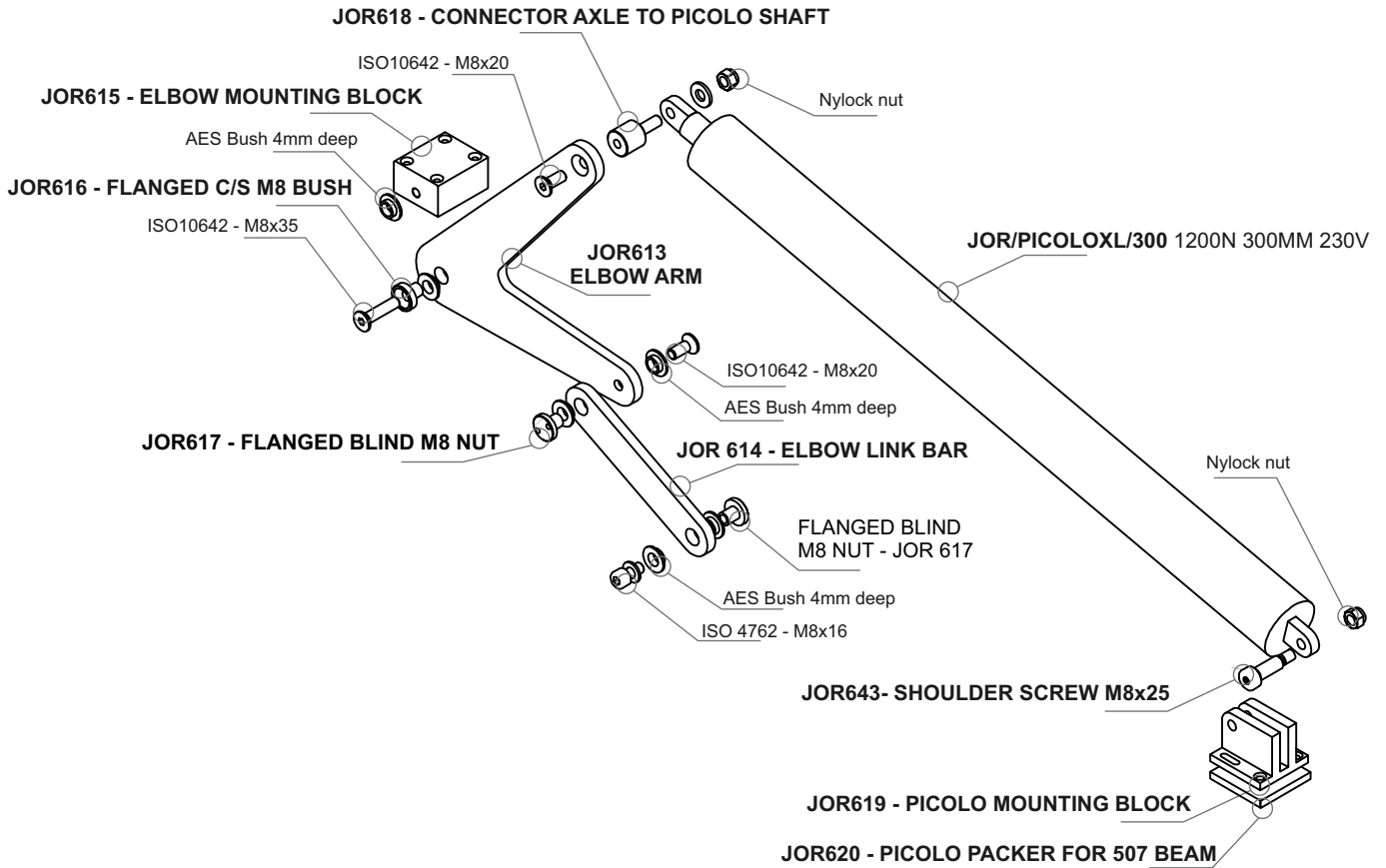


DRIVE ANGLE, PUNCHED
Part No JOR/512P/5.8
60mm x 30mm x 6mm

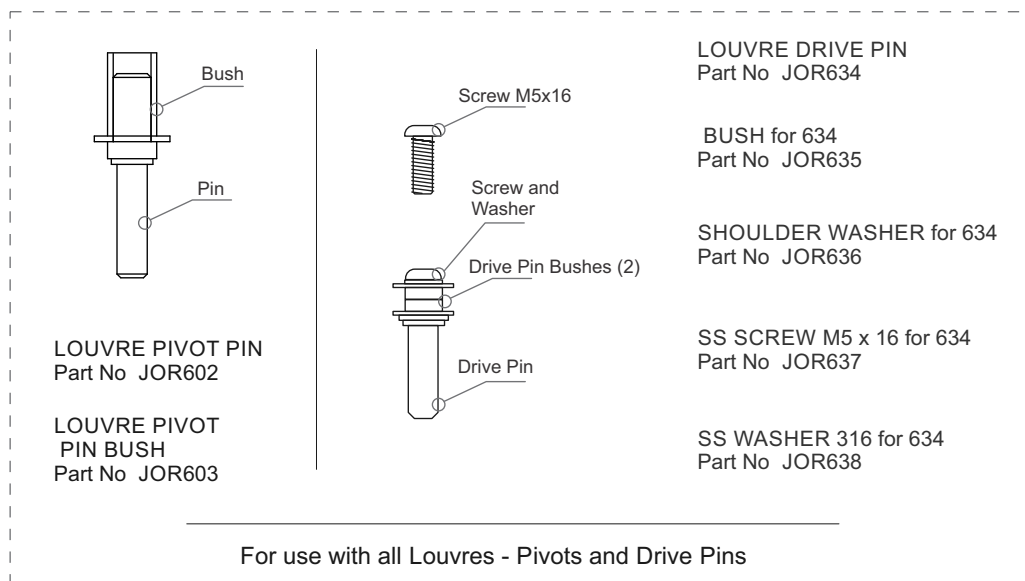


MULTIBAY CAPPING CHANNEL
Part No JOR/512/5.5
100mm x 25mm x 3mm



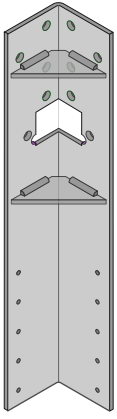


All Drive System Components - Loctite all screws assemblies

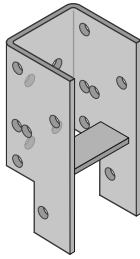




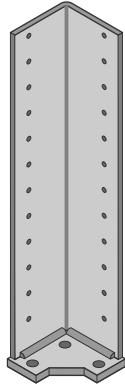
HomePlus® Outdoor Living System - Components - Steel Brackets



CORNER POST
TOP BRACKET
Part No JOR701



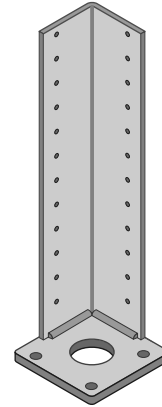
MULTIBAY POST
TOP BRACKET
Part No JOR703



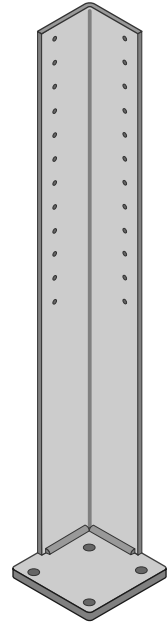
POST
BOTTOM BRACKET
Part No JOR702



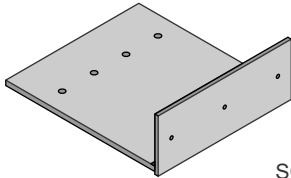
POST
BOTTOM BRACKET,
TIMBER DECK
Part No JOR704



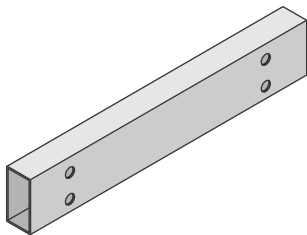
POST
BOTTOM BRACKET,
WIDE BASE
Part No JOR705



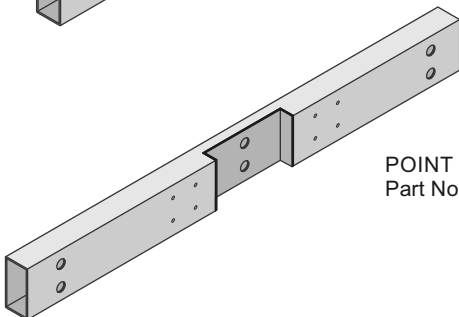
POST
BOTTOM BRACKET,
WIDE BASE,HIGH
Part No JOR706



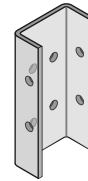
SOFFIT BRACKET
Part No JOR708



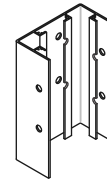
POINT LOAD, CORNER BRACKET
Part No JOR710



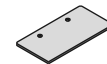
POINT LOAD, TB CENTRE BRACKET
Part No JOR711



TB WALL, CENTRE
JOINER BRACKET
Part No JOR713

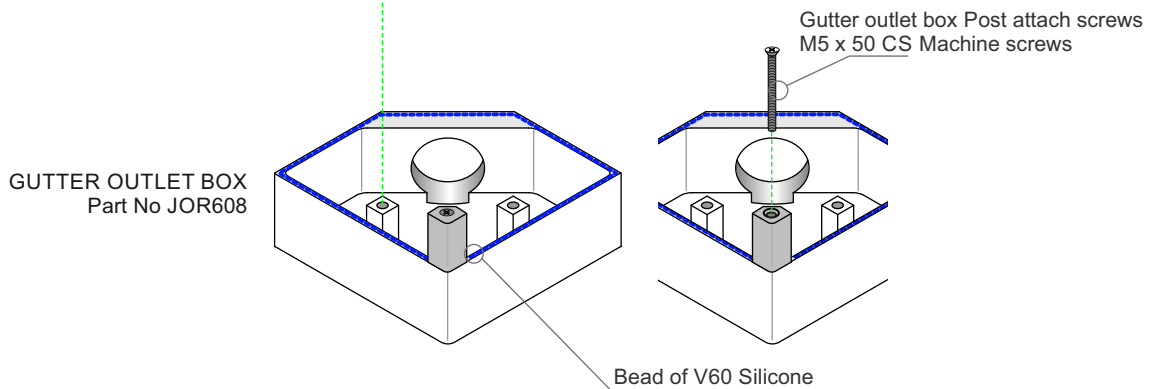
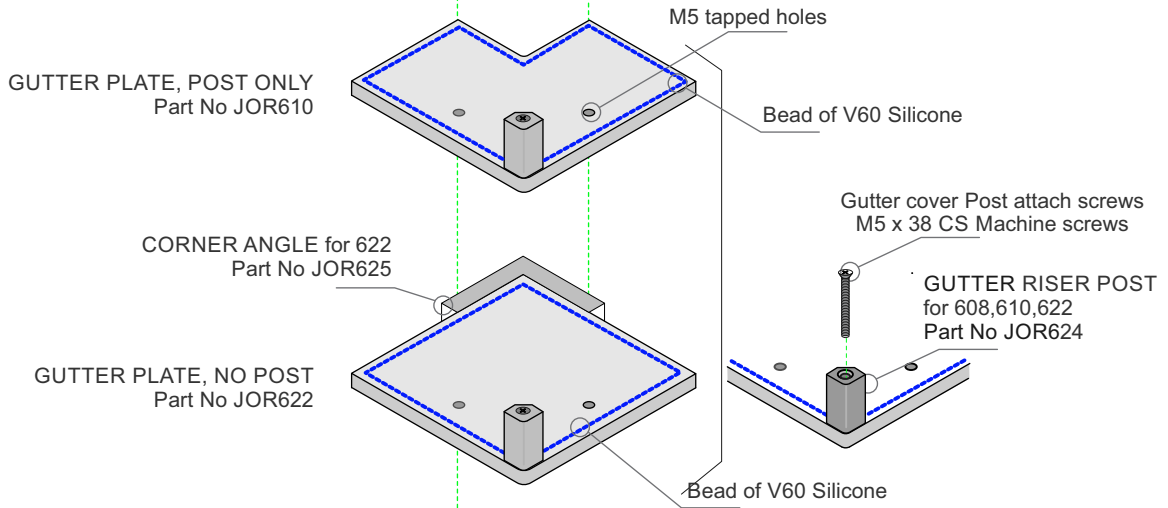
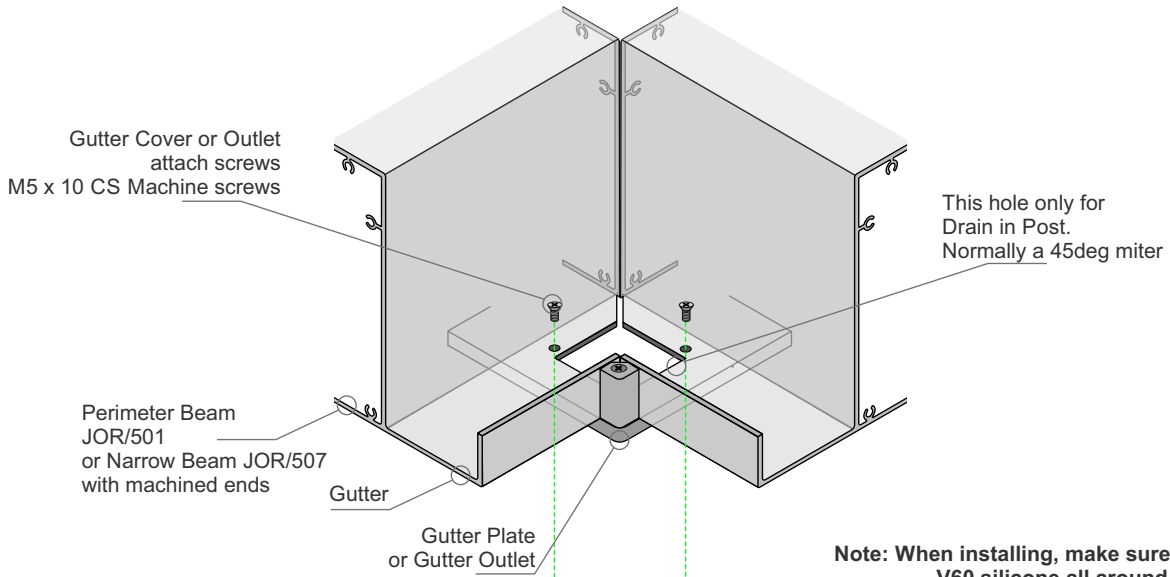


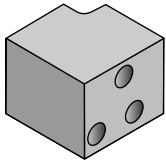
TB WALL, CENTRE
JOINER BRKT COVER
Part No JOR714



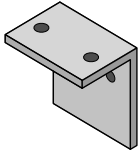
TB WALL, CENTRE
JOINER END CAPS
Part No JOR715

For use with
all Twin Narrow Beams
Joining to Wall Narrow
Beams 507/507



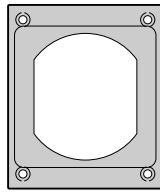


CORNER BLOCK for 507
LH or RH (LH shown)
Part No JOR623 LH
Part No JOR623 RH

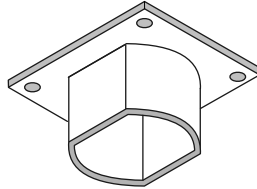


MOUNTING ANGLE for 623
Part No JOR627

For use with
Narrow Beam Corner
Join 507/507



MARLEY 65
DROPPER COVER
Part No JOR628



PVC MARLEY DROPPER
(shown with Dropper Cover)
PART NO JOR646

For use with
In Beam Drainage



JNICE/NEMO/SRT
Nice Sun and Rain Sensor



JNICE/TT4
Nice (Mindy) control for Nemo

For use together as a Sun and Rain controller



WM001G - 1 x Single
or Multigroup mode



JNICE/TT1N
Nice controller for
Wireless operations



WM003G - 3 x Groups in Single
or Multigroup modes



JNICE/TT1N
Nice controller for
Wireless operations



WM003G - 6 x Groups in Single
or Multigroup modes



JNICE/TT1N
Nice controller for
Wireless operations

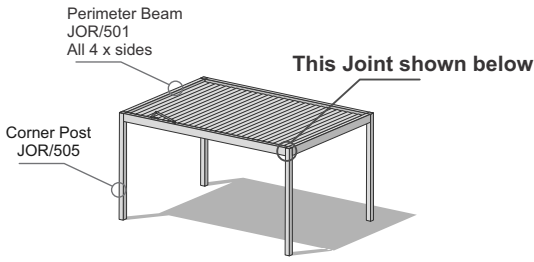


To include lighting add
a TT1L to these
combinations

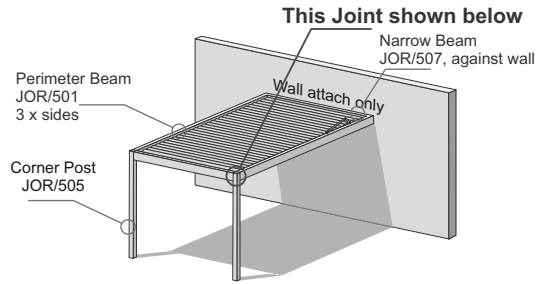


HomePlus® Outdoor Living System - Joint Assemblies

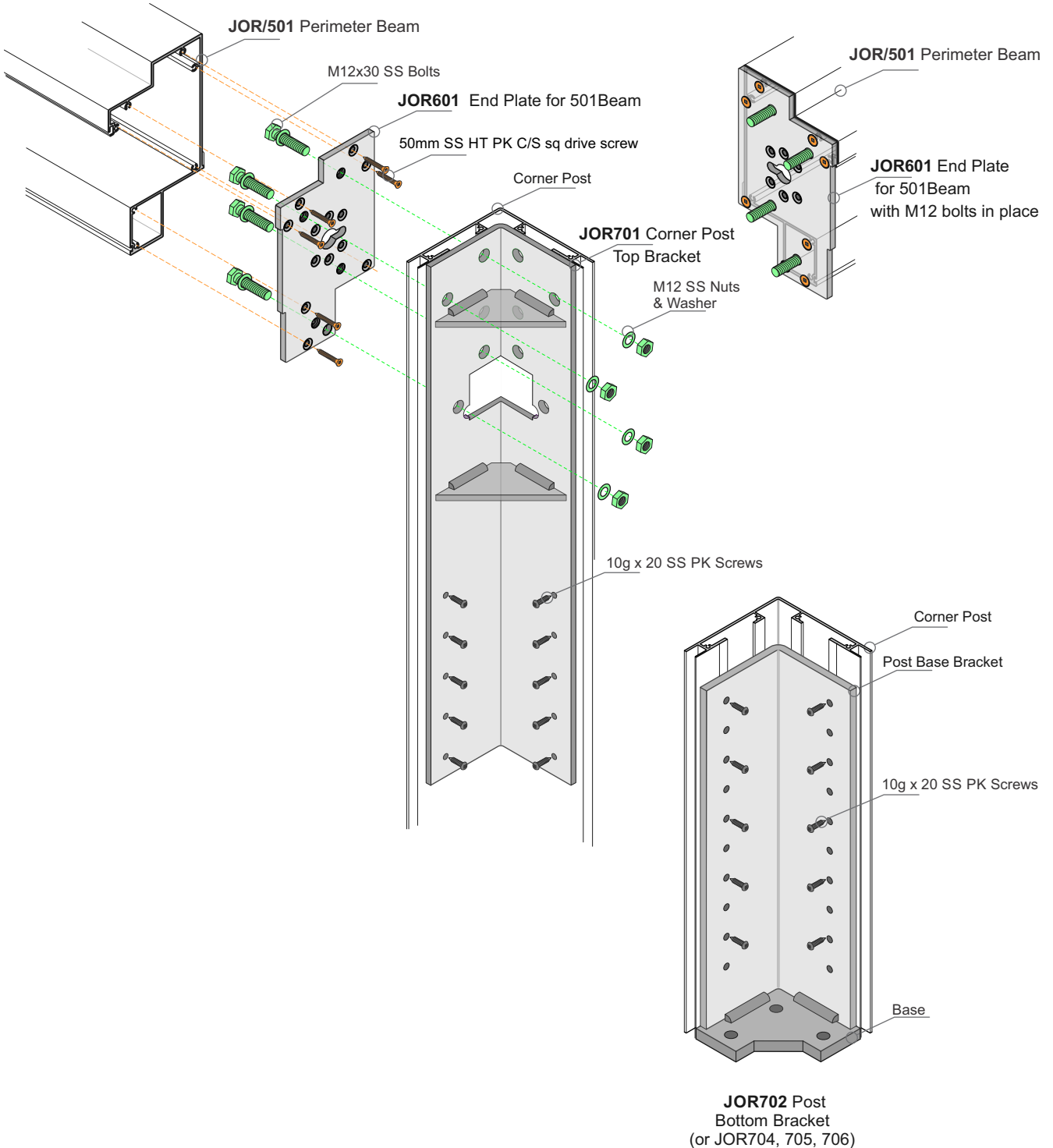
Perimeter Beams to Corner Post



Single Bay, 4 x Posts, Free standing Series

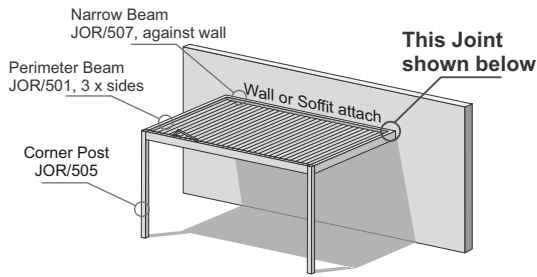


Single Bay, 2 x Posts, One Wall Series
(this example - Louvres parallel to wall
= Point loads = Wall attach only)

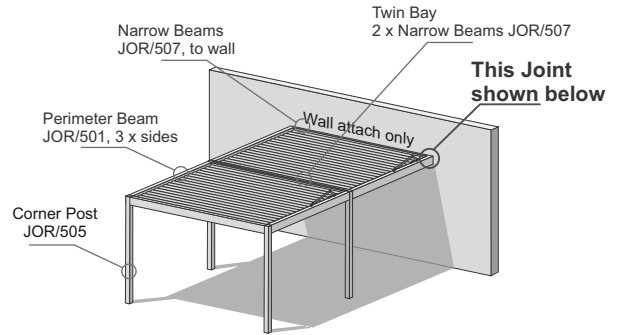


JOR702 Post Bottom Bracket
(or JOR704, 705, 706)

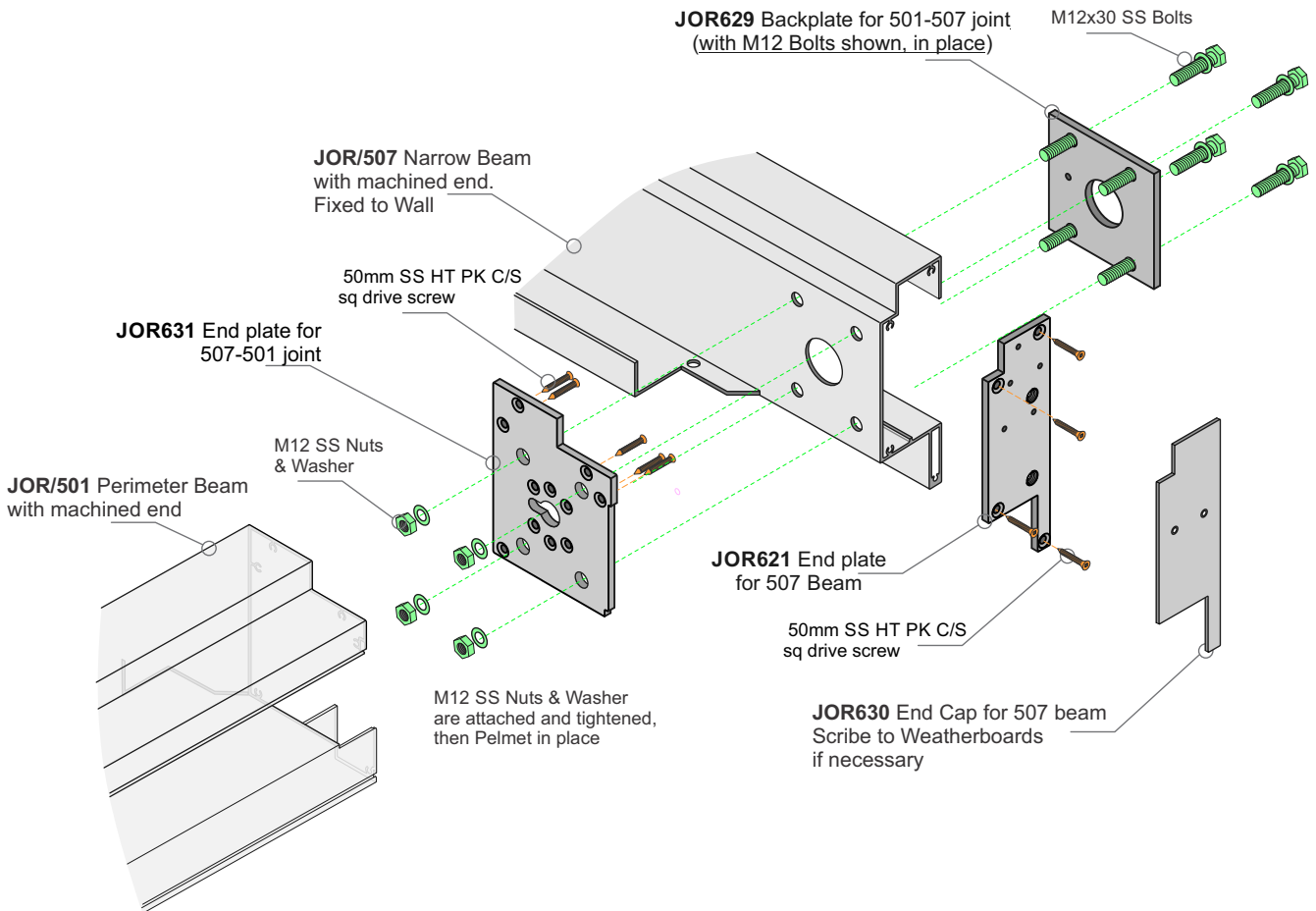
All Fasteners SS



Single Bay, 2 x Posts, One Wall Series
 (this example - Louvres perpendicular to wall
 = Distributed loads = Wall or Soffit attach)



Twin Bay, 4 x Posts, One Wall Series
 (this example - Louvres parallel to wall
 = Point loads = Wall attach only)



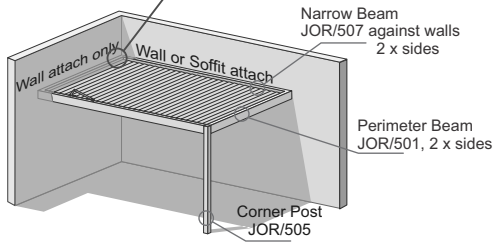
All Fasteners SS



HomePlus® Outdoor Living System - Joint Assemblies

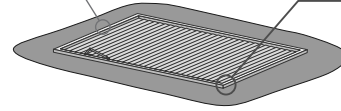
Narrow Beam on Wall to Narrow Beam on Wall

This Joint shown below (shown reversed)



Single Bay, 1 x Post, Two Wall Series
(this example - mixture of Wall attach only and Wall or Soffit attach)

Narrow Beam JOR/507 all 4 x sides



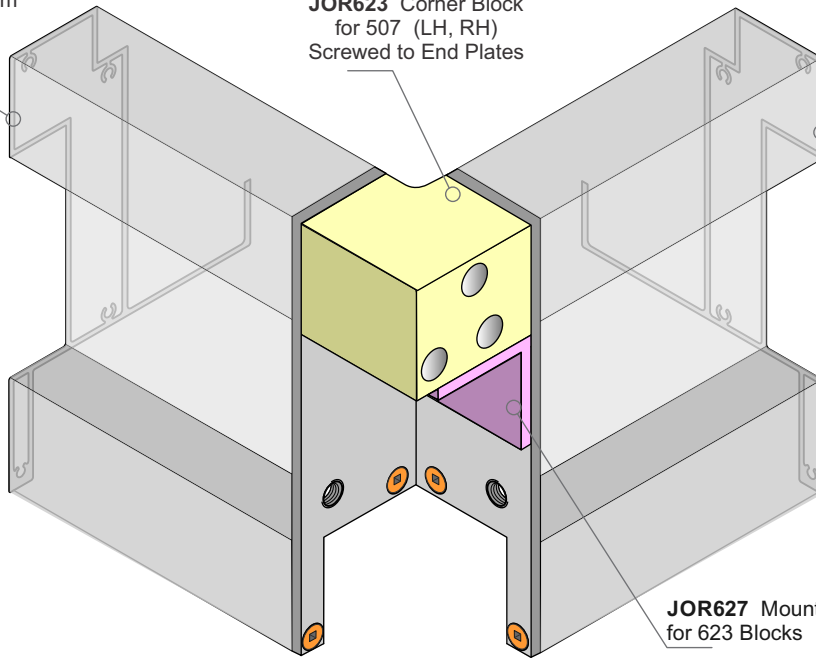
This Joint shown below

Single Bay, No Posts, Integrated Series

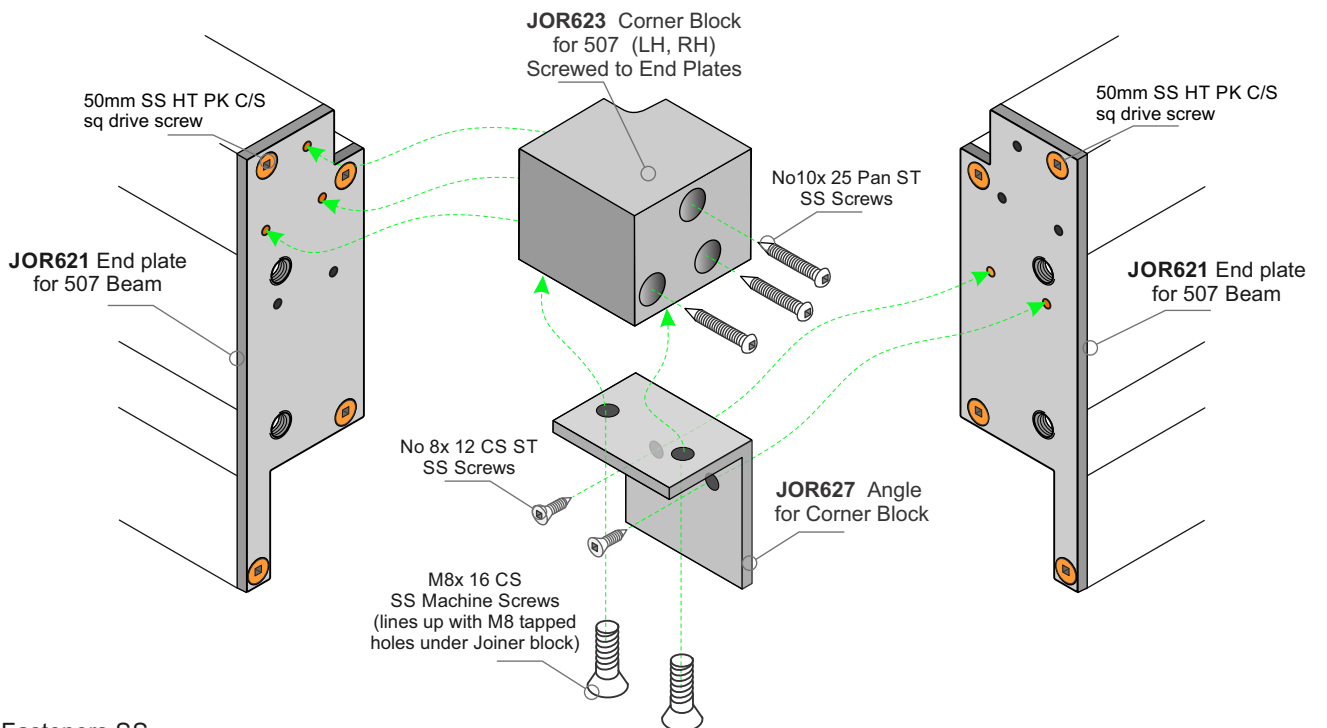
JOR/507 Narrow Beam with machined ends Fixed to structure

JOR623 Corner Block for 507 (LH, RH) Screwed to End Plates

JOR/507 Narrow Beam with machined ends Fixed to structure



JOR627 Mounting Angle for 623 Blocks

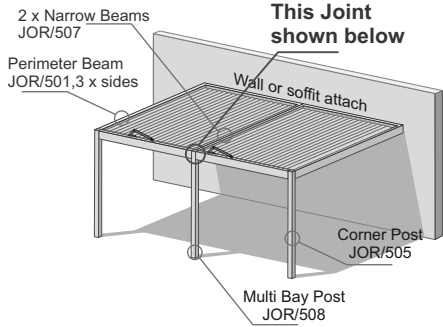


All Fasteners SS

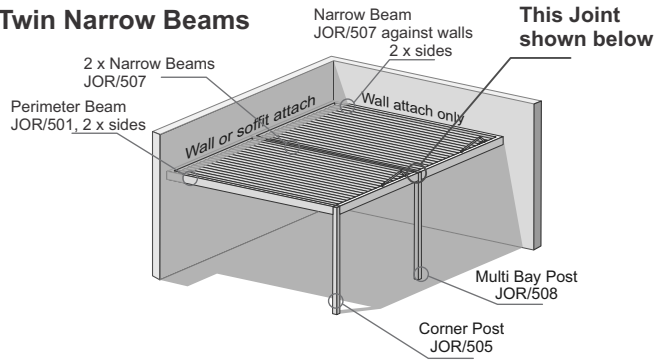


HomePlus® Outdoor Living System - Joint Assemblies

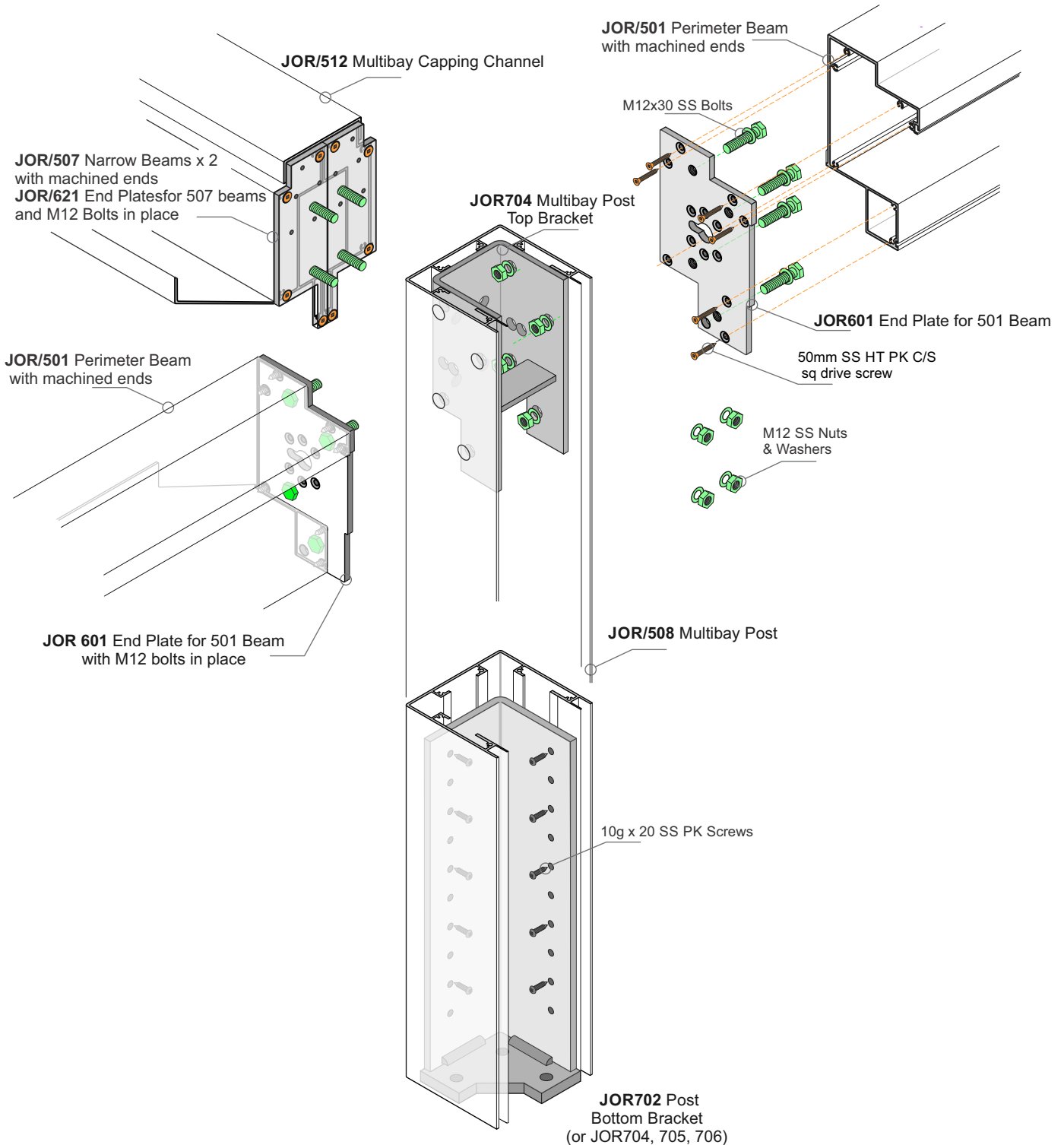
Multi Bay Post to Twin Narrow Beams



Twin Bay, 3 x Posts, One Wall Series
(this example - Louvres perpendicular to wall
= Distributed loads = Wall or Soffit attach)



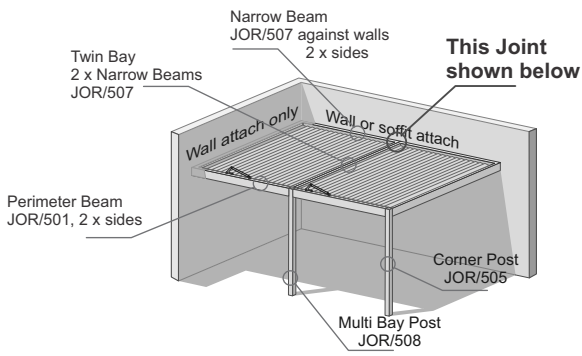
Twin Bay, 2 x Post, Two Wall Series
(this example - mixture of
Wall attach only and Wall or Soffit attach)



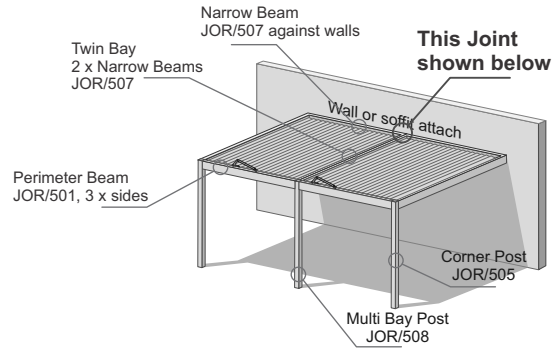


HomePlus® Outdoor Living System - Joint Assemblies

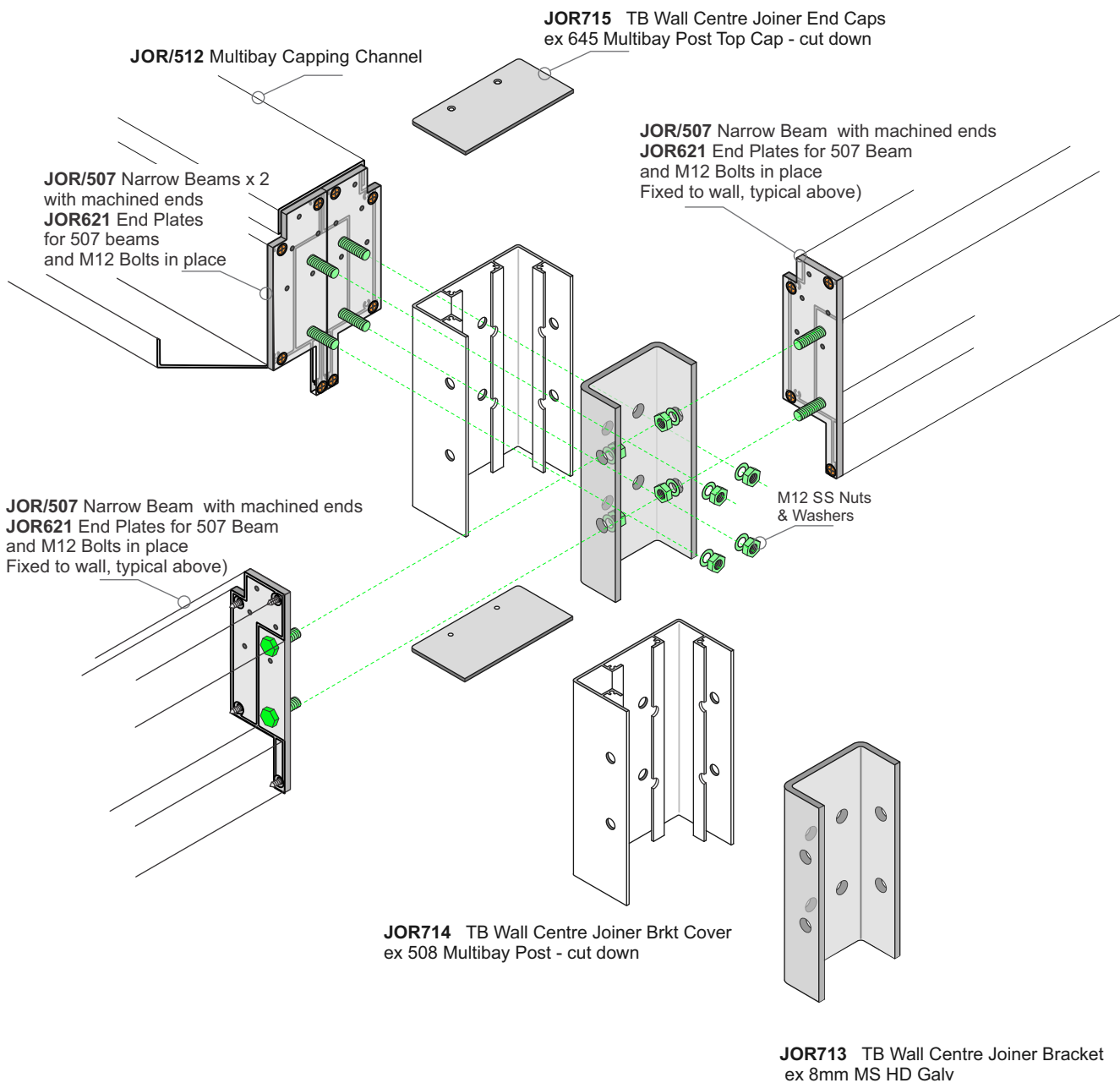
Multi Bay Twin Narrow Beams to Two Narrow Beams on Wall



Twin Bay, 2 x Post, Two Wall Series
(this example - mixture of Wall attach only and Wall or Soffit attach)



Twin Bay, 3 x Posts, Two Wall Series
(this example - Louvres perpendicular to wall = Distributed loads = Wall or Soffit attach)

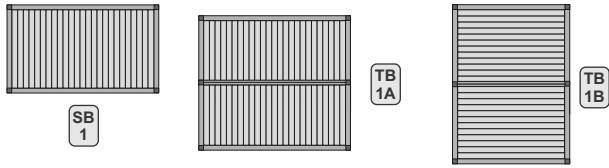


Point Loads - Can be installed to Walls only - never under soffit

Distributed Loads - Can be installed to Walls or under Soffits

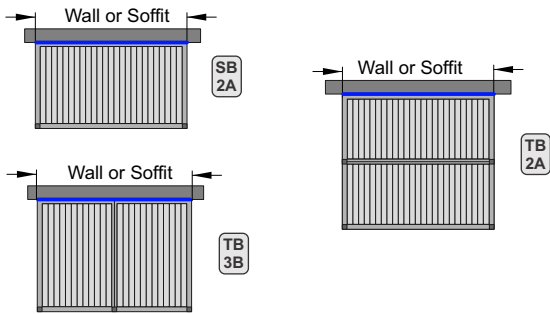
Wall attachment Types

- Point Load, Corner Bracket
- Point Load, Twin Bay Centre Bracket
- Normal Wall attach over whole Width



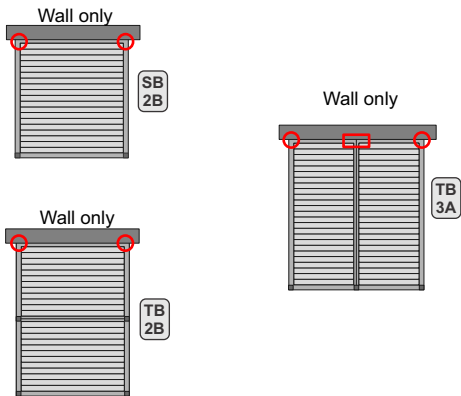
Freestanding Series.

Total Uplift loads, according to the appropriate Wind Zone are resisted by the Foundations at each Post.
Post foundations can be Concrete masses in soil, a suitable continuous Concrete pad or connections to a Timber Deck.



Wall Series. Louvres Perpendicular to Wall

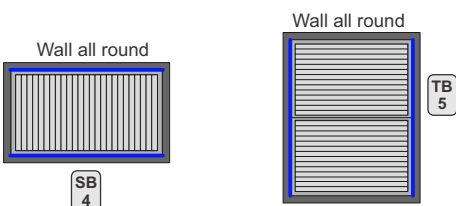
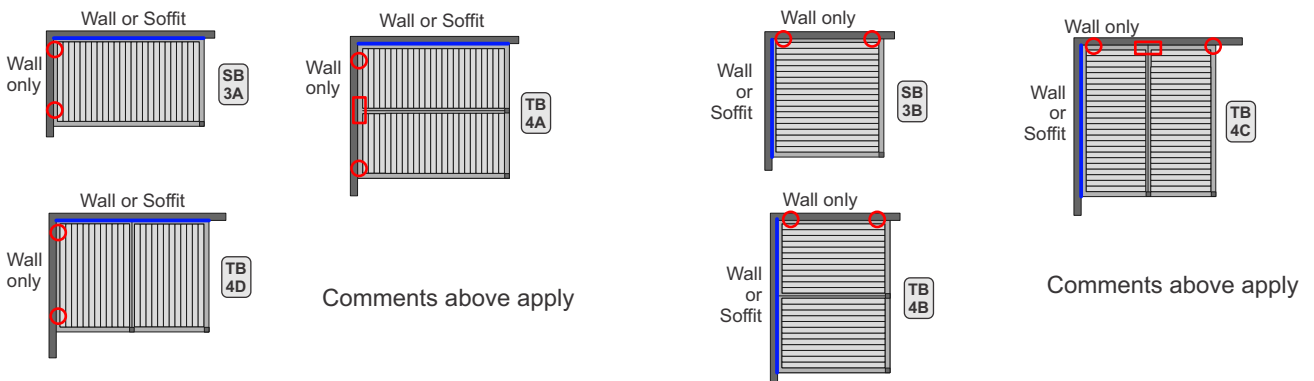
Total Uplift loads, according to the appropriate Wind Zone are resisted by the Foundations/attachments.
Post foundations can be Concrete masses in soil, a suitable continuous Concrete pad or connections to a Timber Deck.
At the Wall/Soffit the load is equally distributed over the whole length.
Multiple bracket attachments for Soffit are available.
For Wall attachment, check the manual.
Juralco has recommendations for the Initial connection of the Basket Frame to a Building Structure. The further connections to the Structure must meet the Wind Zone/Specified forces as in the following Structural Tables. This is the responsibility of the Builder and/or Engineer.



Wall Series. Louvres Parallel to Wall

Total Uplift loads, according to the appropriate Wind Zone are resisted by the Foundations/attachments.
Post foundations can be Concrete masses in soil, a suitable continuous Concrete pad or connections to a Timber Deck.
At the Wall the load is **concentrated** at the points shown. This type is **not suitable** for Soffit mounting.
For Wall attachment, check the manual.
Juralco has recommendations for the Initial connection of the Basket Frame to a Building Structure. The further connections to the Structure must meet the Wind Zone/Specified forces as in the following Structural Tables. This is the responsibility of the Builder and/or Engineer.

Two Wall Series. These are a combination of the two Wall types above. Distributed (Wall or Soffit) and Point (Wall only) loads shown.



Integrated Series. No Posts

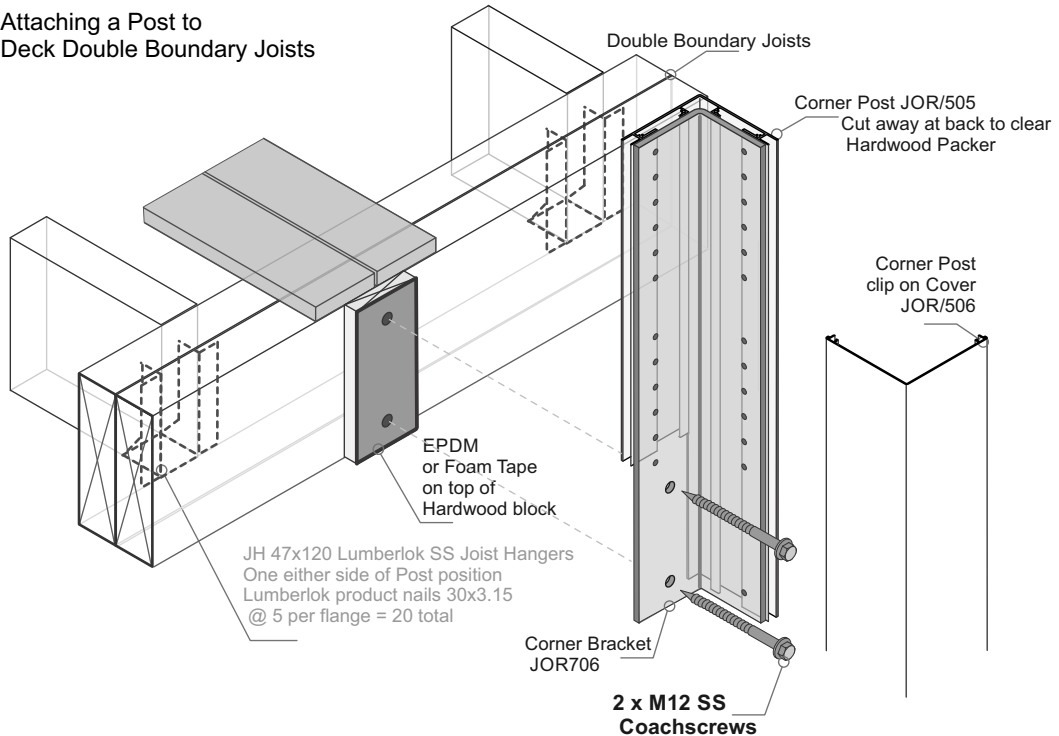
Distributed loads shown.
Installation, refer Structural pages
Connection to the building structure must be approved by a structural Engineer.

On the following 4 pages Juralco has supplied Engineered calculations for the attachment of the HomePlus Outdoor Living System systems to the ground, timber decks walls and soffits, all conforming to NZS1170, Appendix D

Important Note - While Juralco has calculated the uplift forces involved with differing connections to differing area and wind zones Juralco can only guarantee the suitability of the Initial connection. All subsequent connections and strengthening to a structure are the clear responsibility of the builder/ installer. The Concrete foundation calculations do however conform to NZS 1170 Appendix D and can be used with safety.

**Example 1.
Initial
Connection**

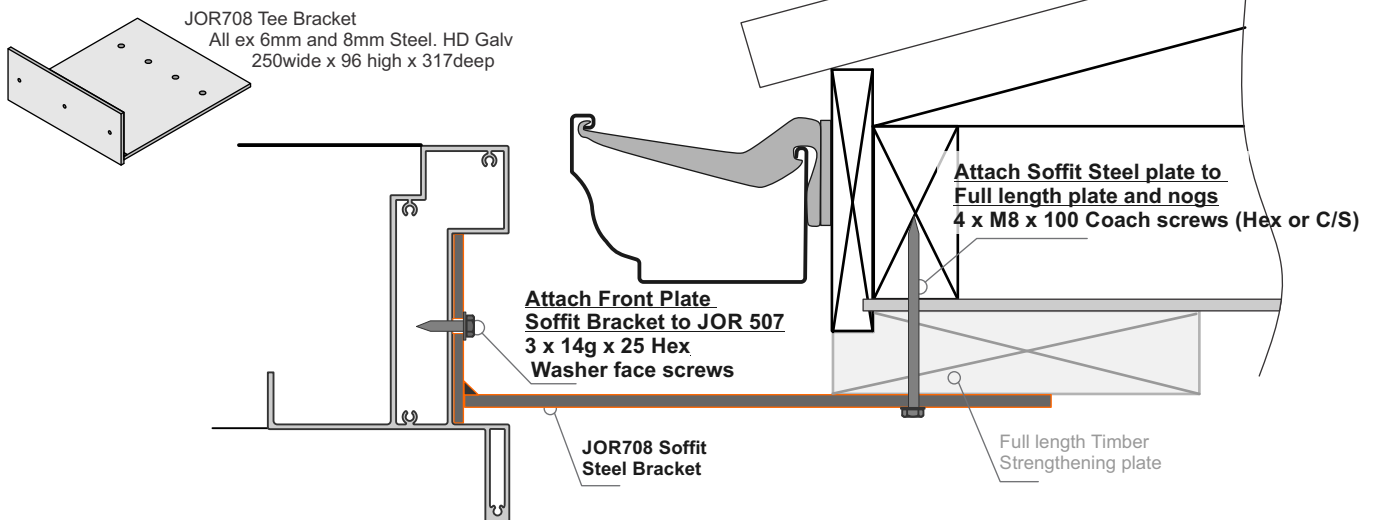
Attaching a Post to Deck Double Boundary Joists



As an Example, above - Juralco can guarantee the Initial connection, ie the use of 2 x M12 SS coachscrews to the Double boundary joist. The use of the Lumberlok Joist Hangers and the stability of the Double Boundary Joist are the responsibility of the builder/installer.

**Example 2.
Initial
Connection**

Attaching a JOR/507 Beam under a Soffit

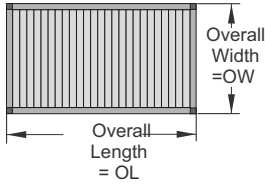


As an Example, above - Juralco can guarantee the Initial connections, ie the use of 14g SS screws attaching the JOR507 to the steel bracket and the M8 SS screws attaching the Steel bracket to the full length Strengthening plate, all at specified centres. The attachment of the Strengthening Plate to the soffit and any internal strengthening of the trusses and studs is the responsibility of the builder/installer.

— Indicates a equally Distributed Load over that length

+ Indicates a Concentrated Point Load

Note : For Posts, all configurations Max height 2.7m



SB 1

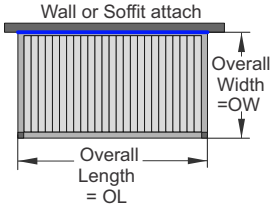
Single Bay, 4 x Posts, Freestanding Series

Applies to all 4 x Posts

Wind Zone	Area Max sqm	Max Dimensions, m	Uplift kN	Concrete cum
Low	22.8	Overall Width max 4m Overall Length max 5.7m	4.22	0.18
Medium	20.8		5.15	0.22
High	18		6.26	0.27
Very High	16		7.20	0.34
Extra High	14.4		7.85	0.34

Use this figure as a basis for strengthening calculations if attaching to other than a Concrete mass

Use this figure if attaching Concrete



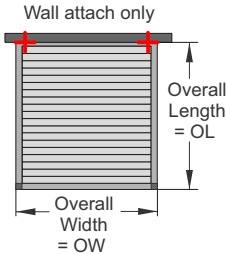
SB 2A

Single Bay, 2 x Posts, One Wall Series

Applies to both Posts

Applies to Wall and Soffit attach

Wind Zone	Area Max sqm	Max Dimensions, m	Uplift kN	Concrete cum	Distributed Load kN/m	Fixings Screws
Low	22.0	Overall Width max 4m Overall Length max 5.5m	5.06	0.22	1.84	1x14g at 600
Medium	19.2		5.95	0.26	2.48	1x14g at 600
High	16.0		7.00	0.30	3.50	1x14g at 600
Very High	12.0		6.75	0.29	4.50	2x14g at 600
Extra High	10.0		6.83	0.30	5.46	2x14g at 600



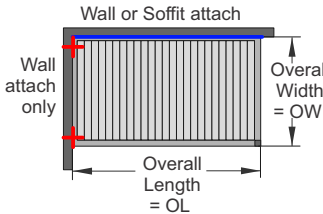
SB 2B

Single Bay, 2 x Posts, One Wall Series

Applies to both Posts

Applies to Wall attach points

Wind Zone	Area Max sqm	Max Dimensions, m	Uplift kN	Concrete cum	Point Load kN
Low	22.0	Overall Width max 4m Overall Length max 5.5m	5.06	0.22	5.06
Medium	19.2		5.95	0.26	5.95
High	16.0		7.00	0.30	7.00
Very High	12.0		6.75	0.29	6.75
Extra High	10.0		6.83	0.30	6.83



SB 3A

Single Bay, 1 x Post, Two Wall Series

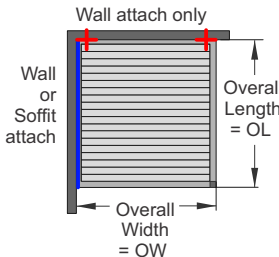
Applies to Single Post

Applies to Wall attach point

Applies to Wall and Soffit attach

LH and RH

Wind Zone	Area Max sqm	Max Dimensions, m	Uplift kN	Concrete cum	Point Load kN	Distributed Load kN/m	Fixings Screws
Low	22.0	Overall Width max 4m Overall Length max 5.5m	5.06	0.22	5.06	1.84	1x14g @600
Medium	19.2		5.95	0.26	5.95	2.48	1x14g @600
High	16.0		7.00	0.30	7.00	3.50	1x14g @600
Very High	12.0		6.75	0.29	6.75	4.50	2x14g @600
Extra High	10.0		6.83	0.30	6.83	5.46	2x14g @600



SB 3B

Single Bay, 1 x Post, Two Wall Series

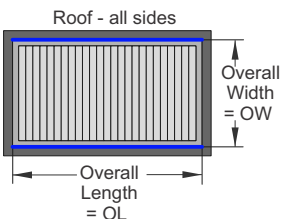
Applies to Single Post

Applies to Wall attach point

Applies to Wall and Soffit attach

LH and RH

Wind Zone	Area Max sqm	Max Dimensions, m	Uplift kN	Concrete cum	Point Load kN	Distributed Load kN/m	Fixing Screws
Low	22.0	Overall Width max 4m Overall Length max 5.5m	5.06	0.22	5.06	1.84	1x14g @600
Medium	19.2		5.95	0.26	5.95	2.48	1x14g @600
High	16.0		7.00	0.30	7.00	3.50	1x14g @600
Very High	12.0		6.75	0.29	6.75	4.50	2x14g @600
Extra High	10.0		6.83	0.30	6.83	5.46	2x14g @600



SB 4

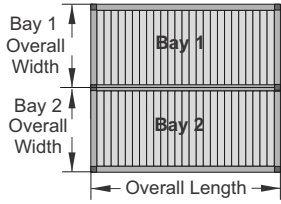
Single Bay, No Posts, Integrated Series

Wind Zone	Area Max sqm	Max Dimensions, m	Distributed Load kN/m	Fixings Screws
Low	22.0	Overall Width max 4m Overall Length max 5.5m	1.84	1x14g at 600
Medium	19.2		2.48	1x14g at 600
High	16.0		3.50	1x14g at 600
Very High	12.0		4.50	2x14g at 600
Extra High	10.0		5.46	2x14g at 600

Indicates a equally Distributed Load over that length

Indicates a Concentrated Point Load

Note : For Posts, all configurations Max height 2.7m



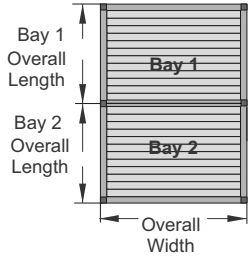
TB 1A

Twin Bay, 6 x Posts, Freestanding Series

Wind Zone	All Area and Dimensions, Per Bay		Applies to Outer 4 x Posts		Applies to Central 2 x Posts	
	Area Max sqm	Max Dimensions m	Uplift kN	Concrete cum	Uplift kN	Concrete cum
Low	22.8	Overall Width max 4m Overall Length max 5.7m	4.22	0.18	8.44	0.37
Medium	20.8		5.15	0.22	10.30	0.45
High	18		6.26	0.27	12.51	0.54
Very High	16		7.20	0.31	14.40	0.63
Extra High	14.4		7.85	0.34	15.70	0.68

Use these figures as a basis for strengthening calculations if attaching to other than Concrete

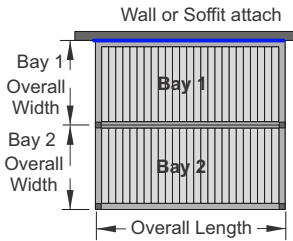
Use these figures if attaching Concrete



TB 1B

Twin Bay, 6 x Posts, Freestanding Series

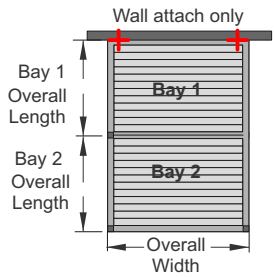
Wind Zone	All Area and Dimensions, Per Bay		Applies to Outer 4 x Posts		Applies to Central 2 x Posts	
	Area Max sqm	Max Dimensions m	Uplift kN	Concrete cum	Uplift kN	Concrete cum
Low	22.8	Overall Width max 4m Overall Length max 5.7m	4.22	0.18	8.44	0.37
Medium	20.8		5.15	0.22	10.30	0.45
High	18		6.26	0.27	12.51	0.54
Very High	16		7.20	0.31	14.40	0.63
Extra High	14.4		7.85	0.34	15.70	0.68



TB 2A

Twin Bay, 4 x Posts, One Wall Series

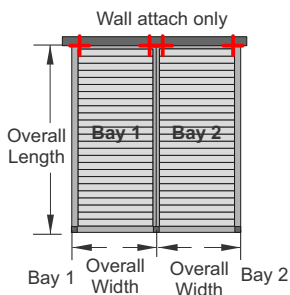
Wind Zone	All Area and Dimensions, Per Bay		Applies to Outer 2 x Posts		Applies to Central 2 x Posts		Applies to Wall and Soffit attach	
	Area Max sqm	Max Dimensions m	Uplift kN	Concrete cum	Uplift kN	Concrete cum	Distributed Load kN/m	Fixing Screws
Low	22.0	Overall Width max 4m Overall Length max 5.5m	5.06	0.22	10.12	0.44	1.84	1x14g @600
Medium	19.2		5.95	0.26	11.90	0.52	2.48	1x14g @600
High	16.0		7.00	0.30	14.00	0.61	3.50	1x14g @600
Very High	12.0		6.75	0.29	13.50	0.59	4.50	2x14g @600
Extra High	10.0		6.83	0.30	13.65	0.59	5.46	2x14g @600



TB 2B

Twin Bay, 4 x Posts, One Wall Series

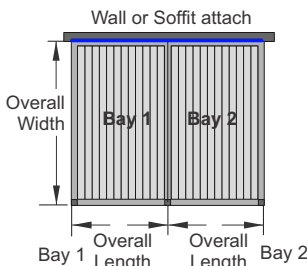
Wind Zone	All Area and Dimensions, Per Bay		Applies to Outer 2 x Posts		Applies to Central 2 x Posts		Applies to Wall attach points
	Area Max sqm	Max Dimensions m	Uplift kN	Concrete cum	Uplift kN	Concrete cum	Point Load kN
Low	22.0	Overall Width max 4m Overall Length max 5.5m	5.06	0.22	10.12	0.44	5.06
Medium	19.2		5.95	0.26	11.90	0.52	5.95
High	16.0		7.00	0.30	14.00	0.61	7.00
Very High	12.0		6.75	0.29	13.50	0.59	6.75
Extra High	10.0		6.83	0.30	13.65	0.59	6.83



TB 3A

Twin Bay, 3 x Posts, One Wall Series

Wind Zone	All Area and Dimensions, Per Bay		Applies to Outer 2 x Posts		Applies to Central Post		Applies to Outer Wall attach points	Applies to Inner Wall attach point
	Area Max sqm	Max Dimensions m	Uplift kN	Concrete cum	Uplift kN	Concrete cum	Point Load kN	Point Load kN
Low	22.0	Overall Width max 4m Overall Length max 5.5m	5.06	0.22	10.12	0.44	5.06	10.12
Medium	19.2		5.95	0.26	11.90	0.52	5.95	11.90
High	16.0		7.00	0.30	14.00	0.61	7.00	14.00
Very High	12.0		6.75	0.29	13.50	0.59	6.75	13.50
Extra High	10.0		6.83	0.30	13.65	0.59	6.83	13.65



TB 3B

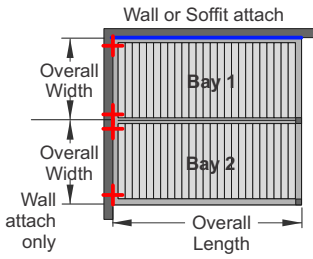
Twin Bay, 3 x Posts, One Wall Series

Wind Zone	All Area and Dimensions, Per Bay		Applies to Outer 2 x Posts		Applies to Central Post		Applies to Wall and Soffit attach	
	Area Max sqm	Max Dimensions m	Uplift kN	Concrete cum	Uplift kN	Concrete cum	Distributed Load kN/m	Fixing Screws
Low	22.0	Overall Width max 4m Overall Length max 5.5m	5.06	0.22	10.12	0.44	1.84	1x14g @600
Medium	19.2		5.95	0.26	11.90	0.52	2.48	1x14g @600
High	16.0		7.00	0.30	14.00	0.61	3.50	1x14g @600
Very High	12.0		6.75	0.29	13.50	0.59	4.50	1x14g @600
Extra High	10.0		6.83	0.30	13.65	0.59	5.46	1x14g @600

— Indicates a equally Distributed Load over that length

+ Indicates a Concentrated Point Load

Note : For Posts, all configurations Max height 2.7m

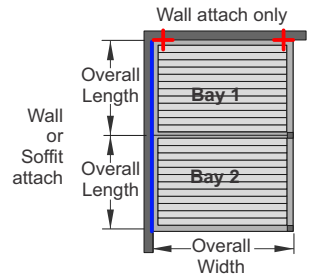


TB 4A

LH and RH

Twin Bay, 2 x Posts, Two Wall Series

Wind Zone	All Area and Dimension, Per Bay		Applies to Outer Post		Applies to Centre Post		Applies to Wall and Soffit attach		Applies to Outer Wall attach point	Applies to Inner Wall attach point
	Area Max sqm	Max Dimensions m	Uplift kN	Concrete cum	Uplift kN	Concrete cum	Distributed Load kN/m	Fixing Screws	Point Load kN	Point Load kN
Low	22.0	Overall Width max 4m Overall Length max 5.5m	5.06	0.22	10.12	0.44	1.84	1x14g @600	5.06	10.12
Medium	19.2		5.95	0.26	11.90	0.52	2.48	1x14g @600	5.95	11.90
High	16.0		7.00	0.30	14.00	0.61	3.50	1x14g @600	7.00	14.00
Very High	12.0		6.75	0.29	13.50	0.59	4.50	2x14g @600	6.75	13.50
Extra High	10.0		6.83	0.30	13.65	0.59	5.46	2x14g @600	6.83	13.65

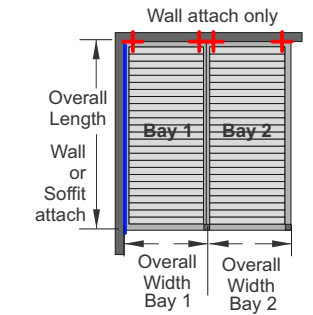


TB 4B

LH and RH

Twin Bay, 2 x Posts, Two Wall Series

Wind Zone	All Area and Dimension, Per Bay		Applies to Outer Post		Applies to Centre Post		Applies to Wall and Soffit attach		Applies to Wall attach point
	Area Max sqm	Max Dimensions m	Uplift kN	Concrete cum	Uplift kN	Concrete cum	Distributed Load kN/m	Fixing Screws	Point Load kN
Low	22.0	Overall Width max 4m Overall Length max 5.5m	5.06	0.22	10.12	0.44	1.84	1x14g @600	5.06
Medium	19.2		5.95	0.26	11.90	0.52	2.48	1x14g @600	5.95
High	16.0		7.00	0.30	14.00	0.61	3.50	1x14g @600	7.00
Very High	12.0		6.75	0.29	13.50	0.59	4.50	2x14g @600	6.75
Extra High	10.0		6.83	0.30	13.65	0.59	5.46	2x14g @600	6.83

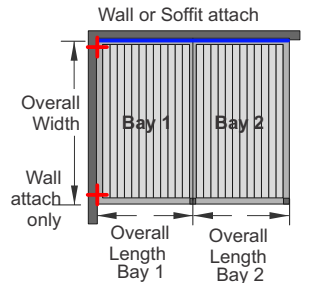


TB 4C

LH and RH

Twin Bay, 2 x Posts, Two Wall Series

Wind Zone	All Area and Dimension, Per Bay		Applies to Outer Post		Applies to Centre Post		Applies to Wall and Soffit attach		Applies to Outer Wall attach point	Applies to Inner Wall attach point
	Area Max sqm	Max Dimensions m	Uplift kN	Concrete cum	Uplift kN	Concrete cum	Distributed Load kN/m	Fixing Screws	Point Load kN	Point Load kN
Low	22.0	Overall Width max 4m Overall Length max 5.5m	5.06	0.22	10.12	0.44	1.84	1x14g @600	5.06	10.12
Medium	19.2		5.95	0.26	11.90	0.52	2.48	1x14g @600	5.95	11.90
High	16.0		7.00	0.30	14.00	0.61	3.50	1x14g @600	7.00	14.00
Very High	12.0		6.75	0.29	13.50	0.59	4.50	2x14g @600	6.75	13.50
Extra High	10.0		6.83	0.30	13.65	0.59	5.46	2x14g @600	6.83	13.65

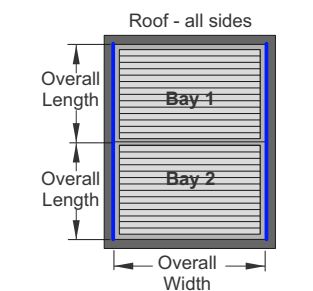


TB 4D

LH and RH

Twin Bay, 2 x Posts, Two Wall Series

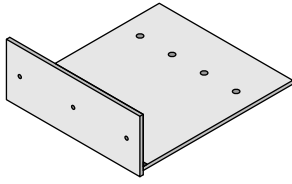
Wind Zone	All Area and Dimension, Per Bay		Applies to Outer Post		Applies to Centre Post		Applies to Wall and Soffit attach		Applies to Wall attach point
	Area Max sqm	Max Dimensions m	Uplift kN	Concrete cum	Uplift kN	Concrete cum	Distributed Load kN/m	Fixing Screws	Point Load kN
Low	22.0	Overall Width max 4m Overall Length max 5.5m	5.06	0.22	10.12	0.44	1.84	1x14g @600	5.06
Medium	19.2		5.95	0.26	11.90	0.52	2.48	1x14g @600	5.95
High	16.0		7.00	0.30	14.00	0.61	3.50	1x14g @600	7.00
Very High	12.0		6.75	0.29	13.50	0.59	4.50	2x14g @600	6.75
Extra High	10.0		6.83	0.30	13.65	0.59	5.46	2x14g @600	6.83



TB 5

Twin Bay, No Posts, Integrated Series

Wind Zone	All Area and Dimension, Per Bay		Distributed Load kN/m	Fixings Screws
	Area Max sqm	Max Dimensions, m		
Low	22.0	Overall Width max 4m Overall Length max 5.5m	1.84	1x14g at 600
Medium	19.2		2.48	1x14g at 600
High	16.0		3.50	1x14g at 600
Very High	12.0		4.50	2x14g at 600
Extra High	10.0		5.46	2x14g at 600

Soffit Steel Bracket Attach Details


JOR708 Soffit Bracket. All ex 6mm and 8mm Steel. HD Galv.
 Attach the JOR708 with 4 x 14g x 75 SQ Drive SS Self Tappers
attached as per minimum spacings below
to a full length strenghtening plate to Nogs and Rafters

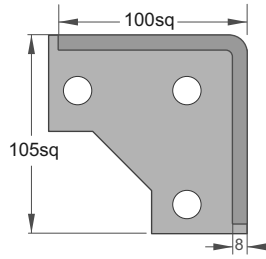
For Distributed Loads only - Louvres perpendicular to Walls

Wind Zone	Area Max sqm	Max Dimensions, m	Bracket Spacing m
Low	22.0	Max OW 4m. Max OL 5.5m	1.0
Medium	19.2	Max OW 4m. Max OL 4.8m	0.7
	14.4	Max OW 3m. Max OL 4.8m	1.0
High	16.0	Max OW 4m. Max OL 4.0m	0.5
	12.0	Max OW 3m. Max OL 4.0m	0.7
	8.0	Max OW 2m. Max OL 4.0m	1.0
Very High	10.5	Max OW 3.5m. Max OL 3.0m	0.5
	7.5	Max OW 2.5m. Max OL 3.0m	0.7
	4.8	Max OW 1.6m. Max OL 3.0m	1.0
Extra High	7.0	Max OW 2.8m. Max OL 2.5m	0.5
	5.0	Max OW 2.0m. Max OL 2.5m	0.7
	3.5	Max OW 1.4m. Max OL 2.5m	1.0

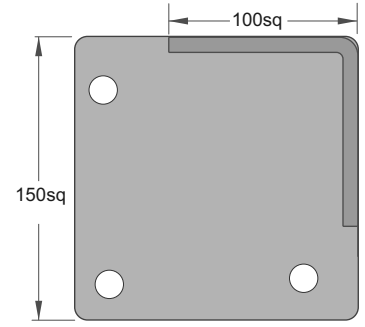
Important Note - As opposed to all the Timber connections, these Concrete foundations conform to NZS 1170 Appendix D, and can be used as per the specifications, pages 5 - 7

Important Installation Notes:

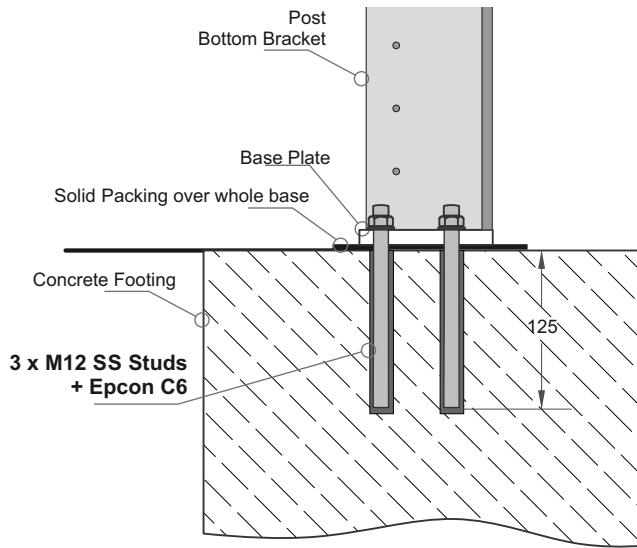
- 1 - A Design engineer must ensure the building structure can support the appropriate wind loading as detailed in the Structural pages.
- 2 - An EPDM, Rubber or Foam Tape layer must be installed between the Base and Concrete
- 3 - All fixings must be Stainless Steel



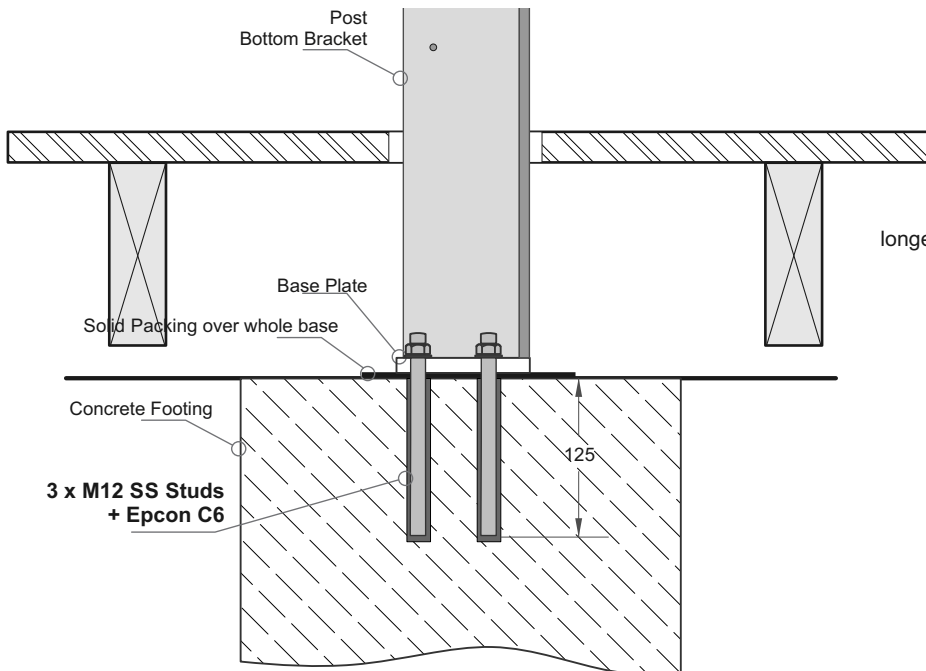
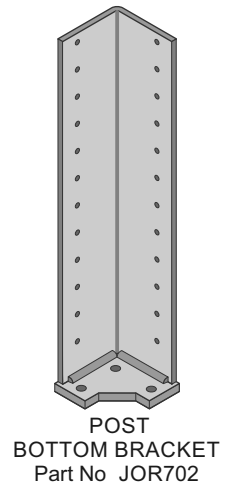
Post, Std Base Bracket Steel, Hot Dip Galvanised



Post, Large Base Bracket Steel, Hot Dip Galvanised

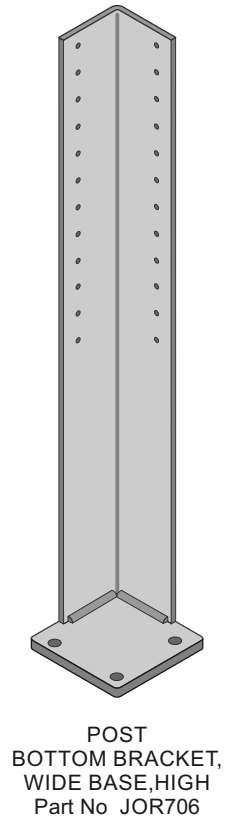


Typical Mounting to Concrete Footing or Concrete Slab



Typical Mounting to Concrete Footing through a Timber Deck, using extra long Corner Post Bracket

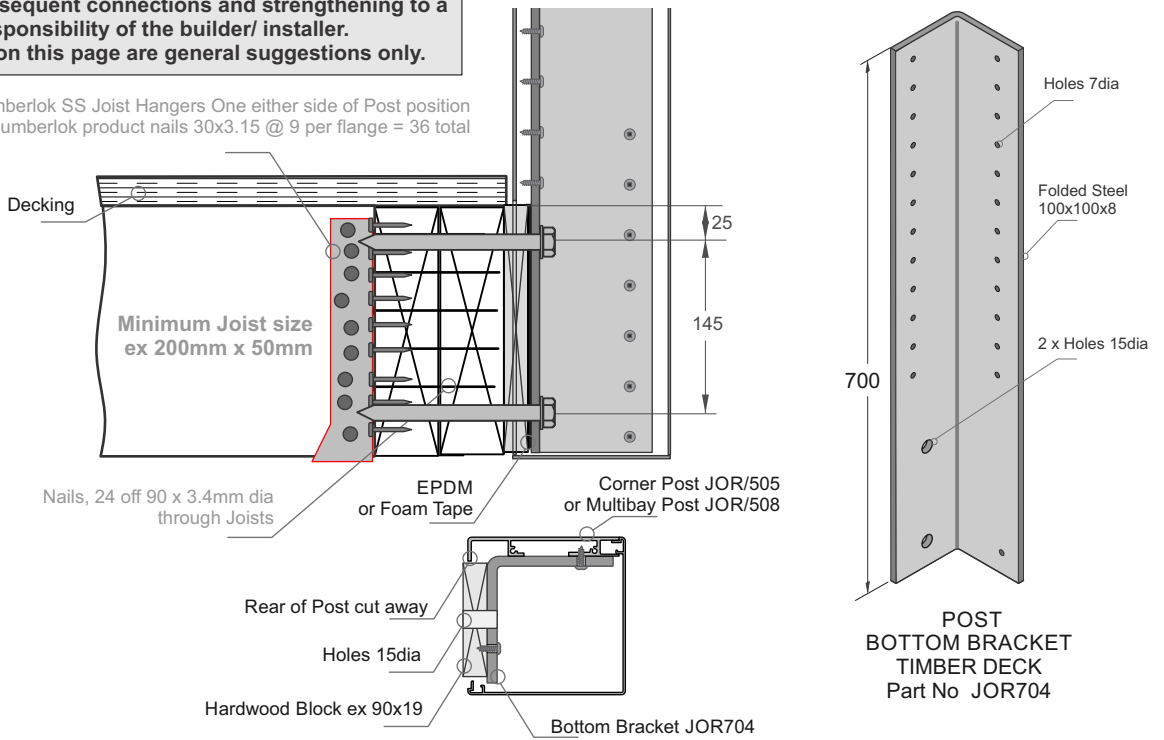
500 std, longer lengths available to order



Typical FACE Fix to Timber (Deck Outer Edge) - Posts JOR/505 or JOR/508, M12 SS Coachscrews

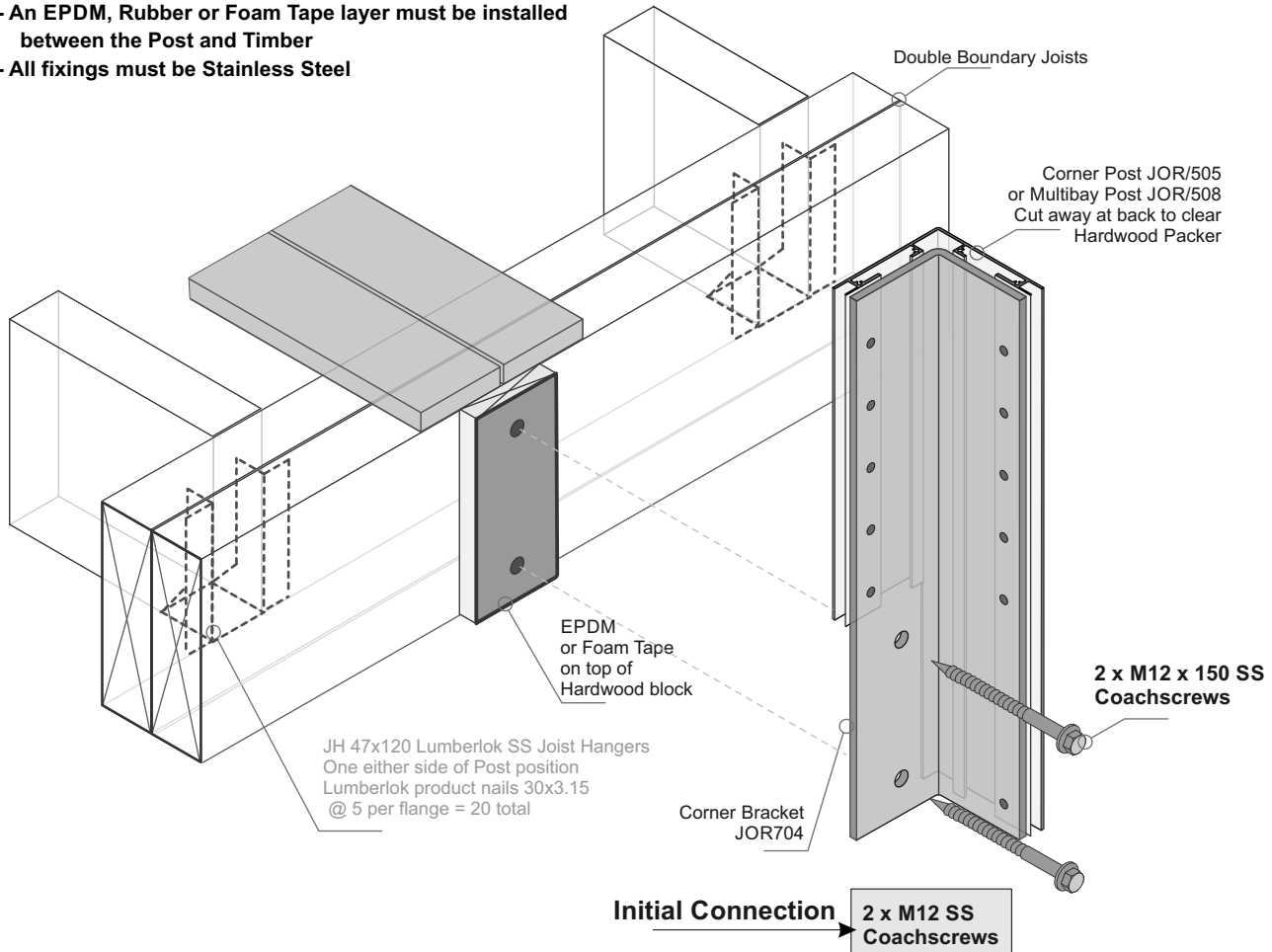
Important Note - Juralco can only guarantee the suitability of the initial connection. All subsequent connections and strengthening to a structure are the clear responsibility of the builder/ installer. Any other specifications on this page are general suggestions only.

JH 47x190 Lumberlok SS Joist Hangers One either side of Post position
 Lumberlok product nails 30x3.15 @ 9 per flange = 36 total



Important Installation Notes:

- 1 - A Design engineer must ensure the building structure can support the appropriate wind loading as detailed in the Structural pages.
- 2 - Coachscrews 90mm min thread engagement into joists
- 3 - Bond all coachscrews with SIKA Supergrip to full depth
- 4 - An EPDM, Rubber or Foam Tape layer must be installed between the Post and Timber
- 5 - All fixings must be Stainless Steel

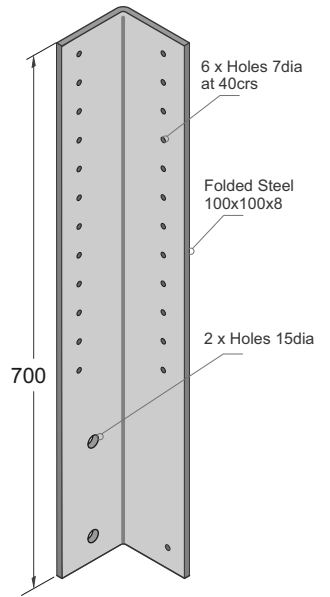
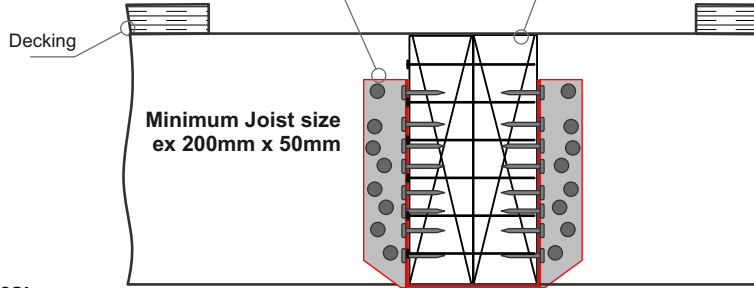


Typical FACE Fix to Timber (Inner Areas) - Posts JOR/505 or JOR/508, M12 SS Coachscrews

Important Note - Juralco can only guarantee the suitability of the initial connection. All subsequent connections and strengthening to a structure are the clear responsibility of the builder/ installer. Any other specifications on this page are general suggestions only.

JH 95x165 Lumberlok SS Joist Hangers, One either end
 Lumberlok product Nails 30x3.15 @ 8 per Flange = 32 total

Twin Nogs, well nailed together with 90x 3.15 Galv Nails

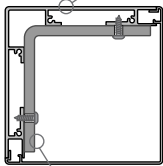


**POST
 BOTTOM BRACKET
 TIMBER DECK
 Part No JOR704**

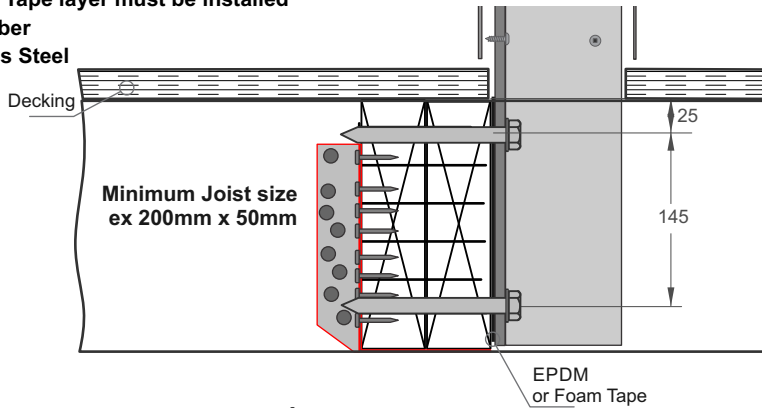
Important Installation Notes:

- 1 - A Design engineer must ensure the building structure can support the appropriate wind loading as detailed in the Structural pages.
- 2 - Coachscrews 90mm min thread engagement into joists
- 3 - Bond all coachscrews with SIKA Supergrip to full depth
- 4 - An EPDM, Rubber or Foam Tape layer must be installed between the Post and Timber
- 5 - All fixings must be Stainless Steel

Corner Post JOR/505 or Multibay Post JOR/508



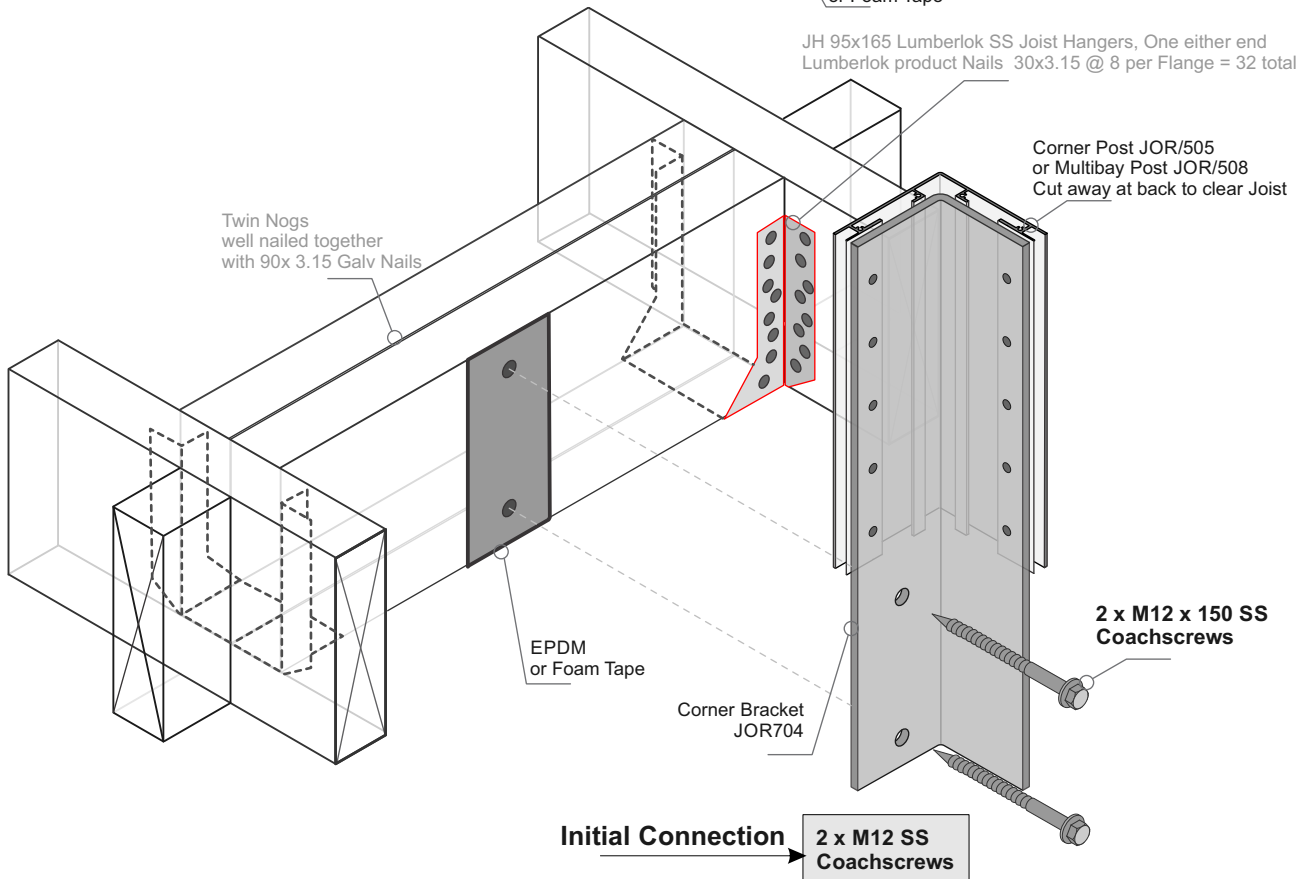
Bracket JOR704



JH 95x165 Lumberlok SS Joist Hangers, One either end
 Lumberlok product Nails 30x3.15 @ 8 per Flange = 32 total

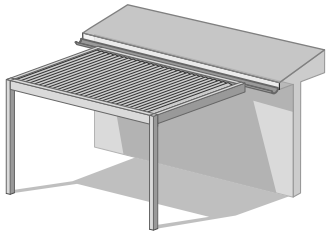
Corner Post JOR/505 or Multibay Post JOR/508
 Cut away at back to clear Joist

Twin Nogs well nailed together with 90x 3.15 Galv Nails

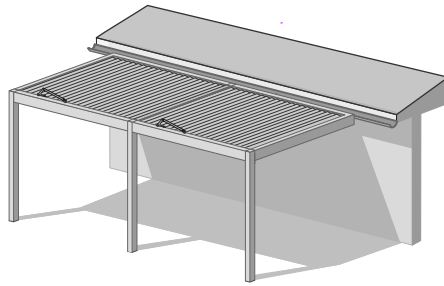


Initial Connection → **2 x M12 SS Coachscrews**

NOTE : Only applicable to Louvres perpendicular to Wall. ie Distributed Load, Soffit (or Wall Attach)



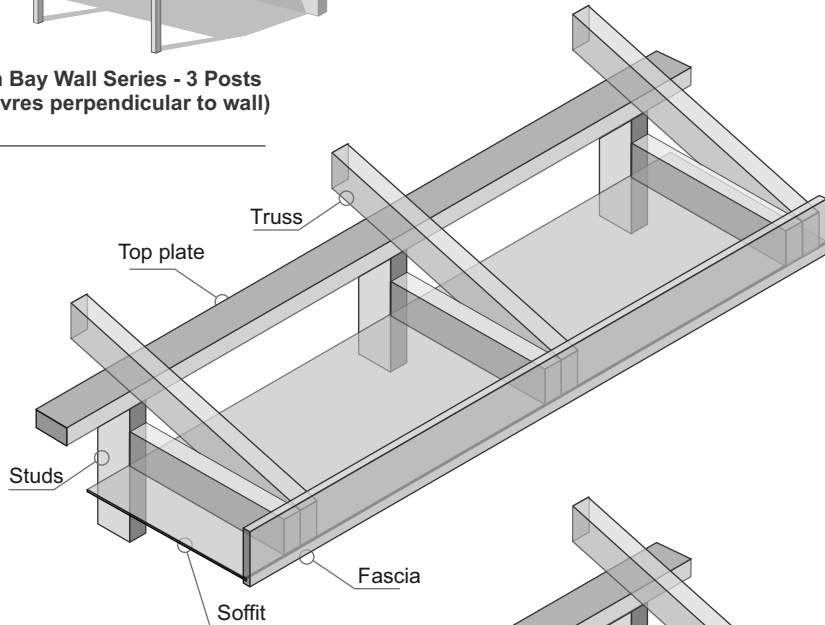
Single Bay Wall Series - 2 Posts
(Louvres perpendicular to wall)



Twin Bay Wall Series - 3 Posts
(Louvres perpendicular to wall)

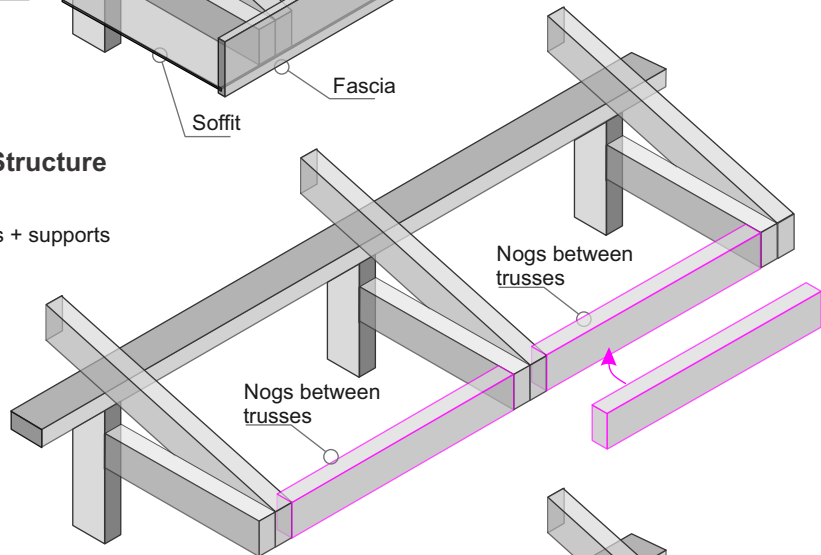
Important Note - Juralco can only guarantee the suitability of the initial connection. All subsequent connections and strengthening to a structure are the clear responsibility of the builder/ installer. Any other specifications on this page are general suggestions only.

Soffit - Typical Soffit Structure



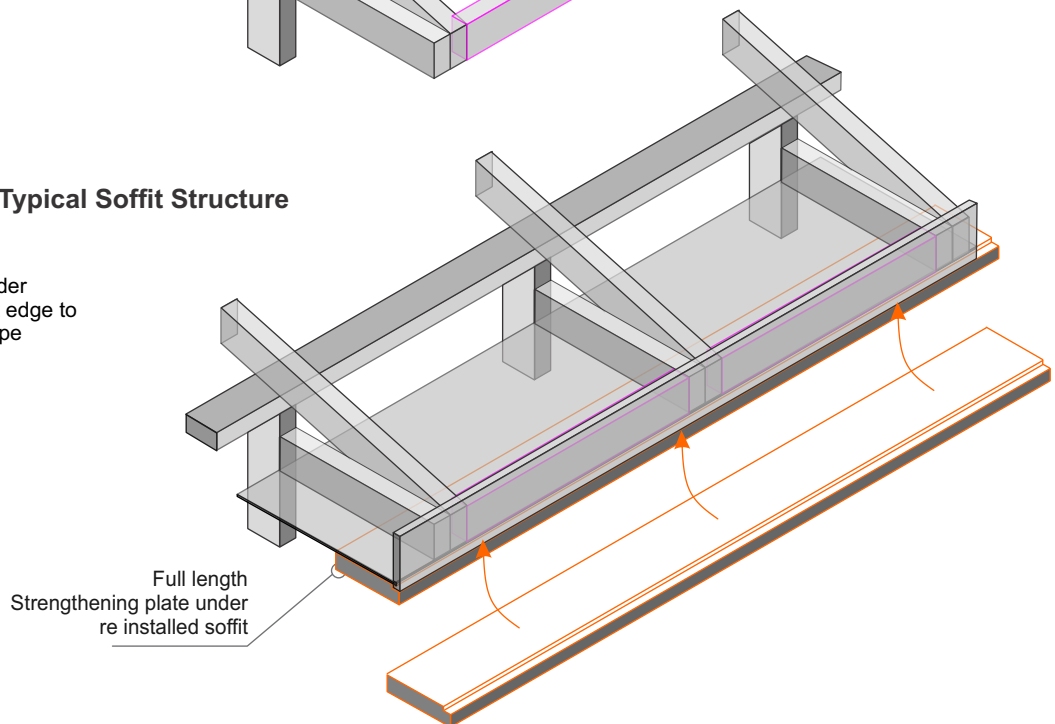
Stage 1 - Strengthening Typical Soffit Structure

- 1 - Remove Soffit and Fascia
- 2 - Attach Nogs ex 100x50 H3.1 between th Trusses + supports
Nailplates + Product nails to ea corner 3Kn



Stage 2 - Strengthening Typical Soffit Structure

- 1 - Reattach Soffit and Fascia
- 2 - Attach Strengthening plate under ex 200x50 H3.1, shape front edge to suit Fascia/Barge board shape

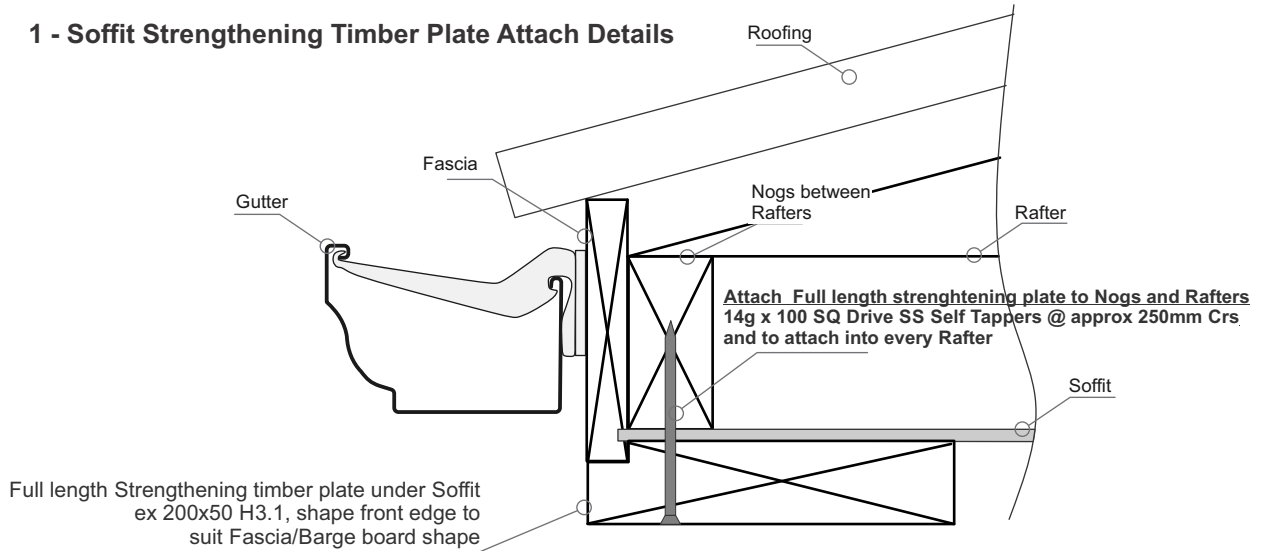


Important Note - Juralco can only guarantee the suitability of the initial connection. All subsequent connections and strengthening to a structure are the clear responsibility of the builder/ installer. Any other specifications on this page are general suggestions only.

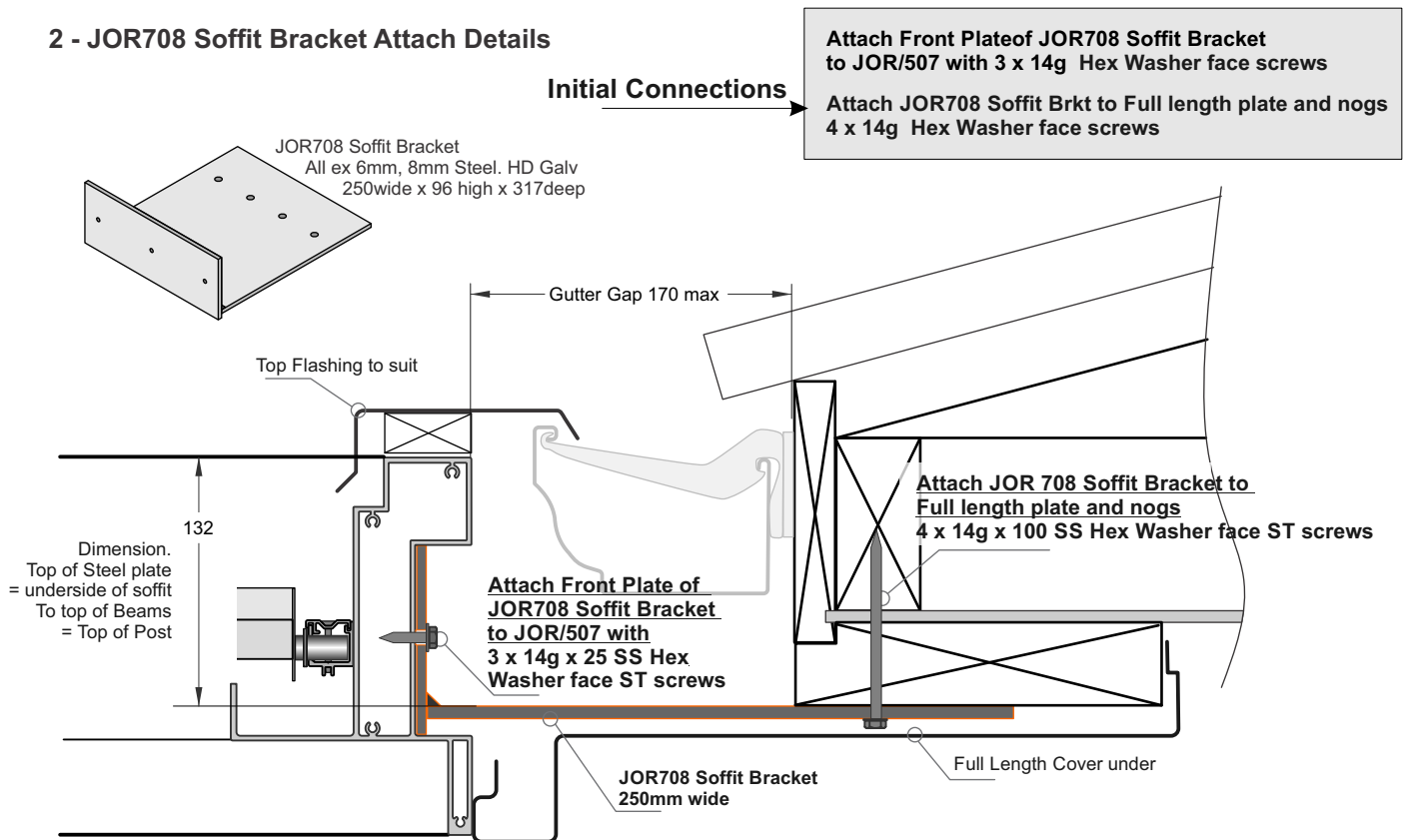
Notes:

- 1 - Only applicable to Louvres perpendicular to Wall ie Distributed Load, Soffit (or Wall Attach)
- 2 - Applies to Soffit overhangs of 400mm or less. You will need site specific Engineering if greater than 400mm

1 - Soffit Strengthening Timber Plate Attach Details

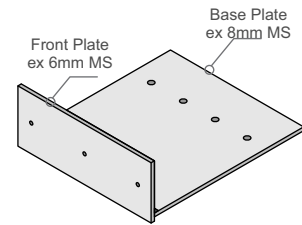
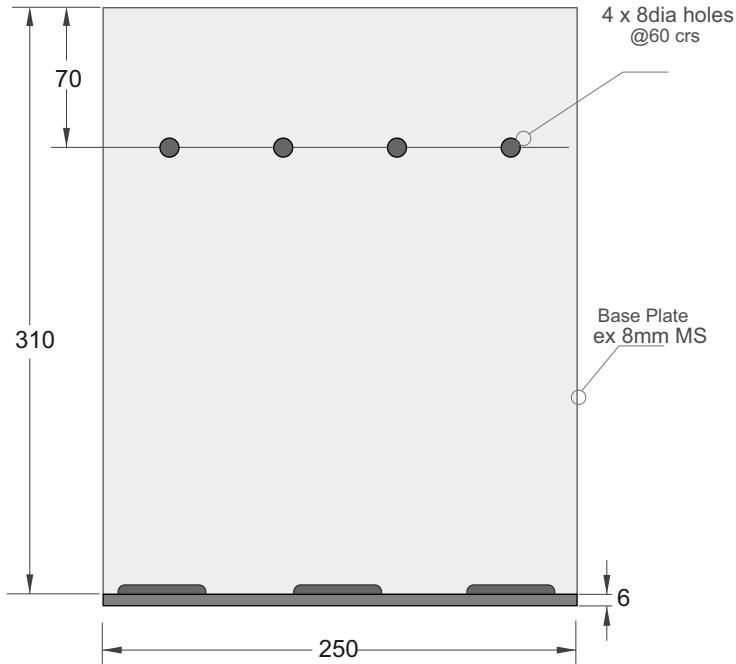


2 - JOR708 Soffit Bracket Attach Details

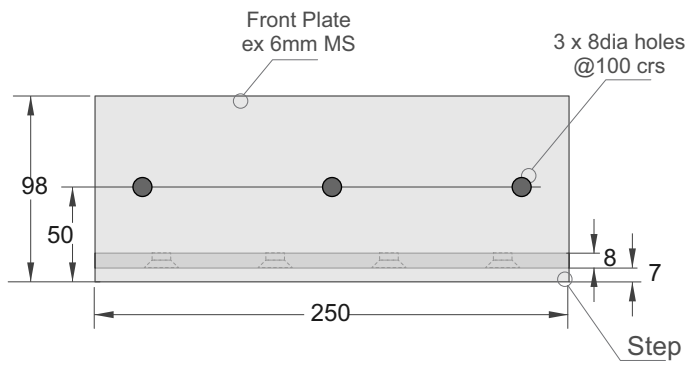


Important Installation Notes:

- 1 - A Design engineer must ensure the building structure can support the appropriate wind loading as detailed in the Structural pages.
- 2 - Coachscrews 90mm min thread engagement into joists
- 3 - Bond all coachscrews with SIKA Supergrip to full depth
- 4 - An EPDM, Rubber or Foam Tape layer must be installed between the JOR/507 and Steel
- 5 - All fixings must be Stainless Steel



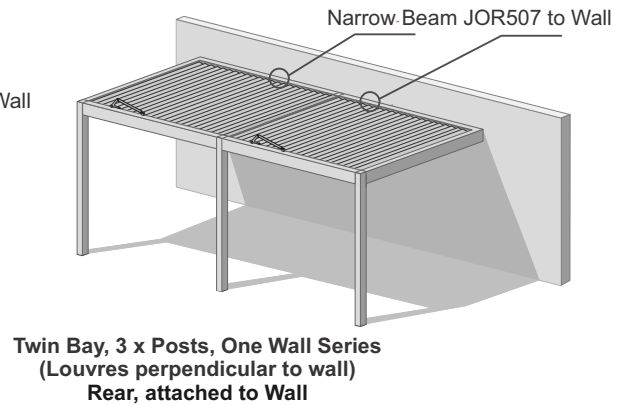
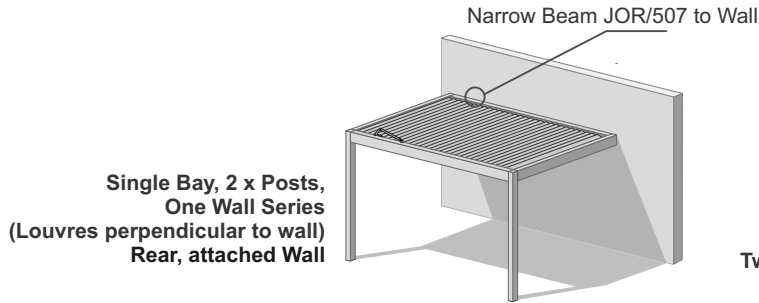
JOR708 SOFFIT BRACKET
All ex 6mm, 8mm Steel. HD Galv
250wide x 96 high x 317deep



JOR708 SOFFIT BRACKET
All ex 6mm, 8mm Steel. HD Galv
250wide x 96 high x 317deep

NOTE : Only applicable to Louvres perpendicular to Wall ie Distributed Load, Wall (or Soffit Attach)

Important Note - Juralco can only guarantee the suitability of the initial connection. All subsequent connections and strengthening to a structure are the clear responsibility of the builder/ installer. Any other specifications on this page are general suggestions only.

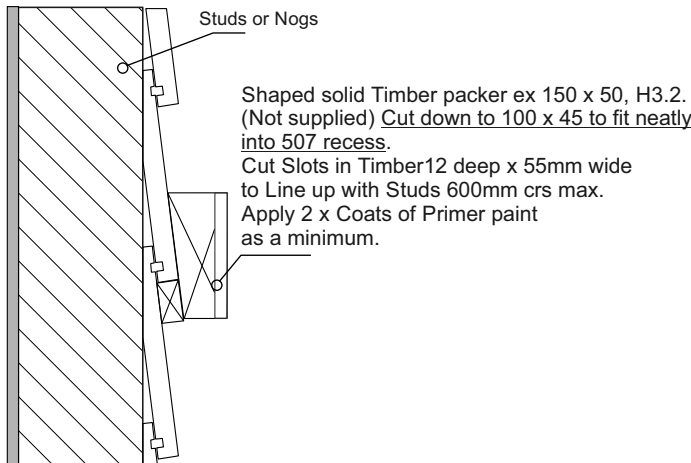


Note - There may be 1 or 2 Coachscrews required, depending on Area and Wind Zone. Refer Force calculations

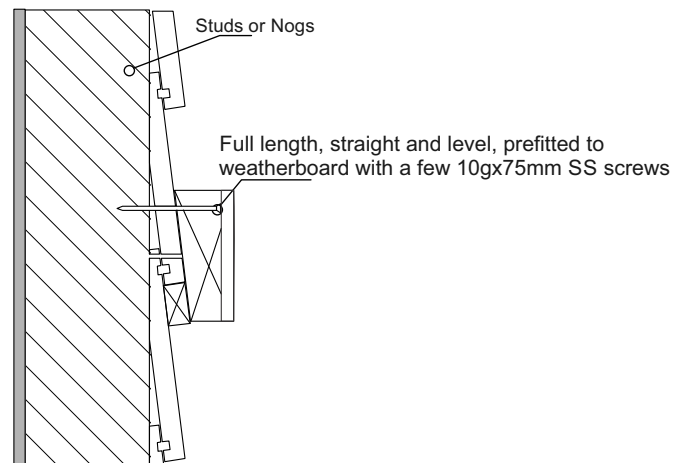
Initial Connections

Attach Timber Packer to Studs with M10SS Coachscrews + 50sqx3mm SS washers
Attach JOR/507 with 14gx100mm SS Hex head screws

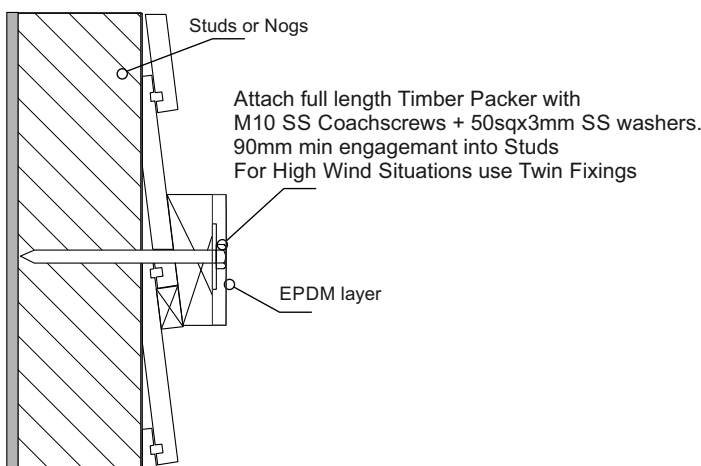
Step 1



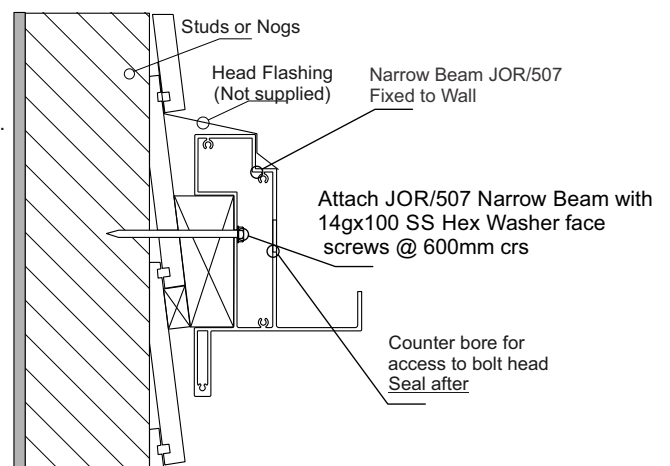
Step 2



Step 3



Step 4

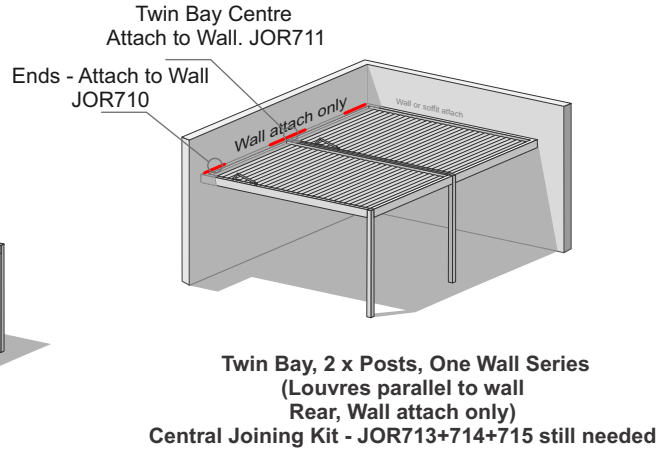
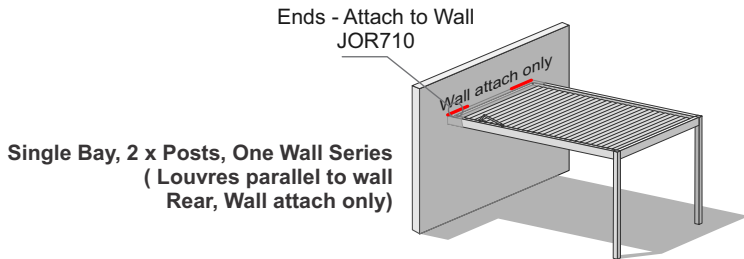


Important Installation Notes:

- 1 - A Design engineer must ensure the building structure can support the appropriate wind loading as detailed in the Structural pages.
- 2 - Coachscrews 90mm min thread engagement into joists
- 3 - Bond all coachscrews with SIKA Supergrip to full depth
- 4 - An EPDM, Rubber or Foam Tape layer must be installed between the JOR 507 and Steel
- 5 - All fixings must be Stainless Steel

NOTE : Only applicable to Louvres parallel to Wall ie Point Load, Wall only Attach

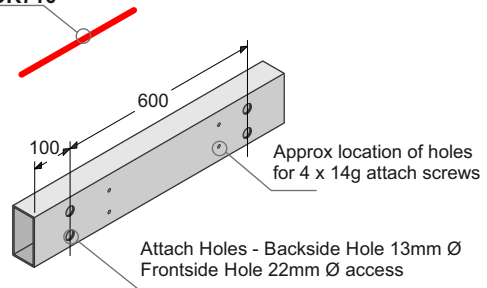
Important Note - Juralco can only guarantee the suitability of the initial connection. All subsequent connections and strengthening to a structure are the clear responsibility of the builder/ installer. Any other specifications on this page are general suggestions only.



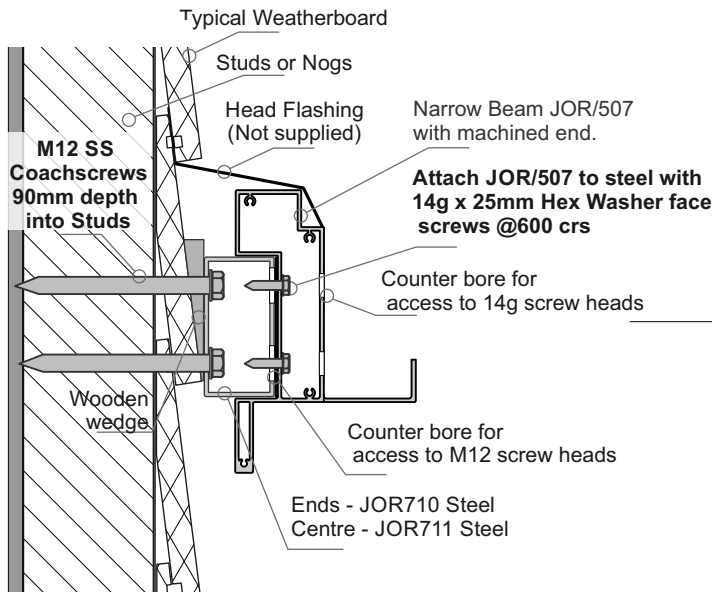
Initial Connections

Attach Steel Packer to Wall M10 SS Coachscrews
Attach JOR/507 to steel with 14g Hex washer face screws

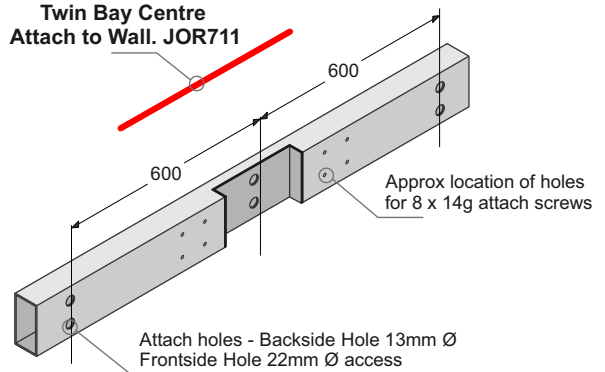
Ends - Attach to Wall JOR710



JOR710 Steel RHS 100 x 50 x 3 x 0.8m. Duragalv securely screwed to studs or lintel with 4 x M12 SS Coachscrews. Drill attach holes to line up with studs (if needed) or use existing holes into lintel Mount hard into JOR/507 beam corners



Twin Bay Centre Attach to Wall. JOR711



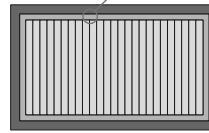
JOR711 Steel RHS 100 x 50 x 3 x 1.4m. HD Galv securely screwed to studs or lintel with 6 x M12 SS Coachscrews. Drill attach holes to line up with studs (if needed) or use existing holes into lintel

Important Installation Notes:

- 1 - A Design engineer must ensure the building structure can support the appropriate wind loading as detailed in the Structural pages.
- 2 - Coachscrews 90mm min thread engagement into joists
- 3 - Bond all coachscrews with SIKA Supergrip to full depth
- 4 - An EPDM, Rubber or Foam Tape layer must be installed between the JOR 507 and Steel
- 5 - All fixings must be Stainless Steel

Important Note - Juralco can only guarantee the suitability of the initial connection. All subsequent connections and strengthening to a structure are the clear responsibility of the builder/ installer. Any other specifications on this page are general suggestions only.

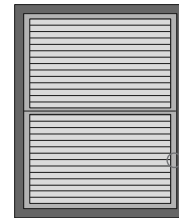
Timber Packers these long sides only



Roof - all sides

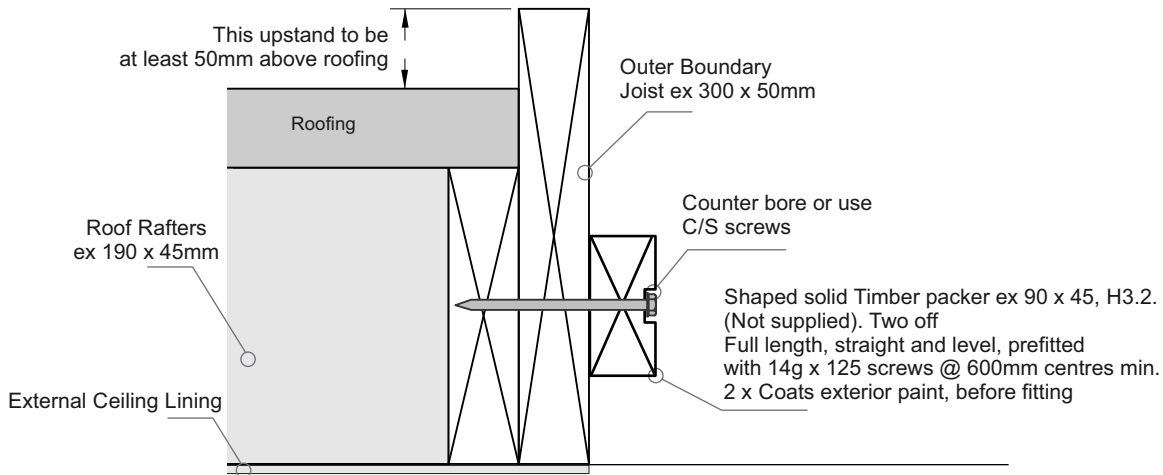
Single Bay Integrated Series

Roof - all sides



Timber Packers these long sides only

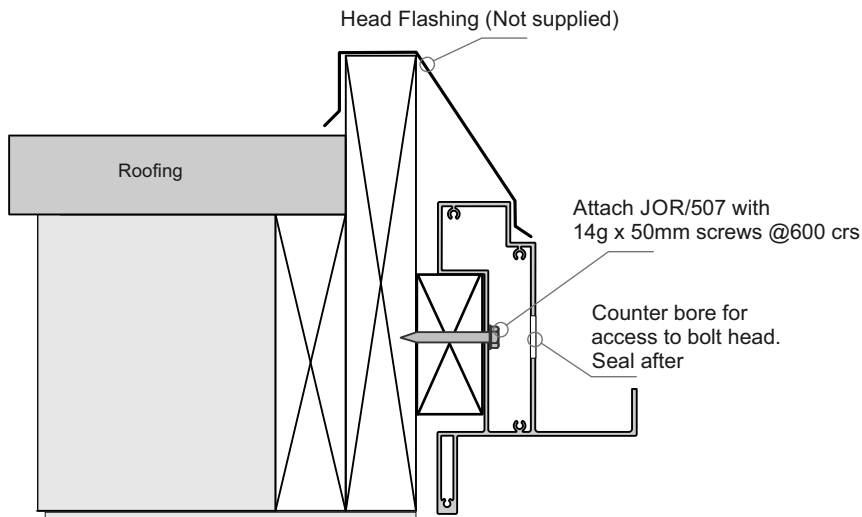
Twin Bay Integrated Series



Typical Integrated Roof Construction. Boundary joists all very firmly attached to Roof rafters. Engineer to check structure

Initial Connections

Attach JOR/507 with 14g screws

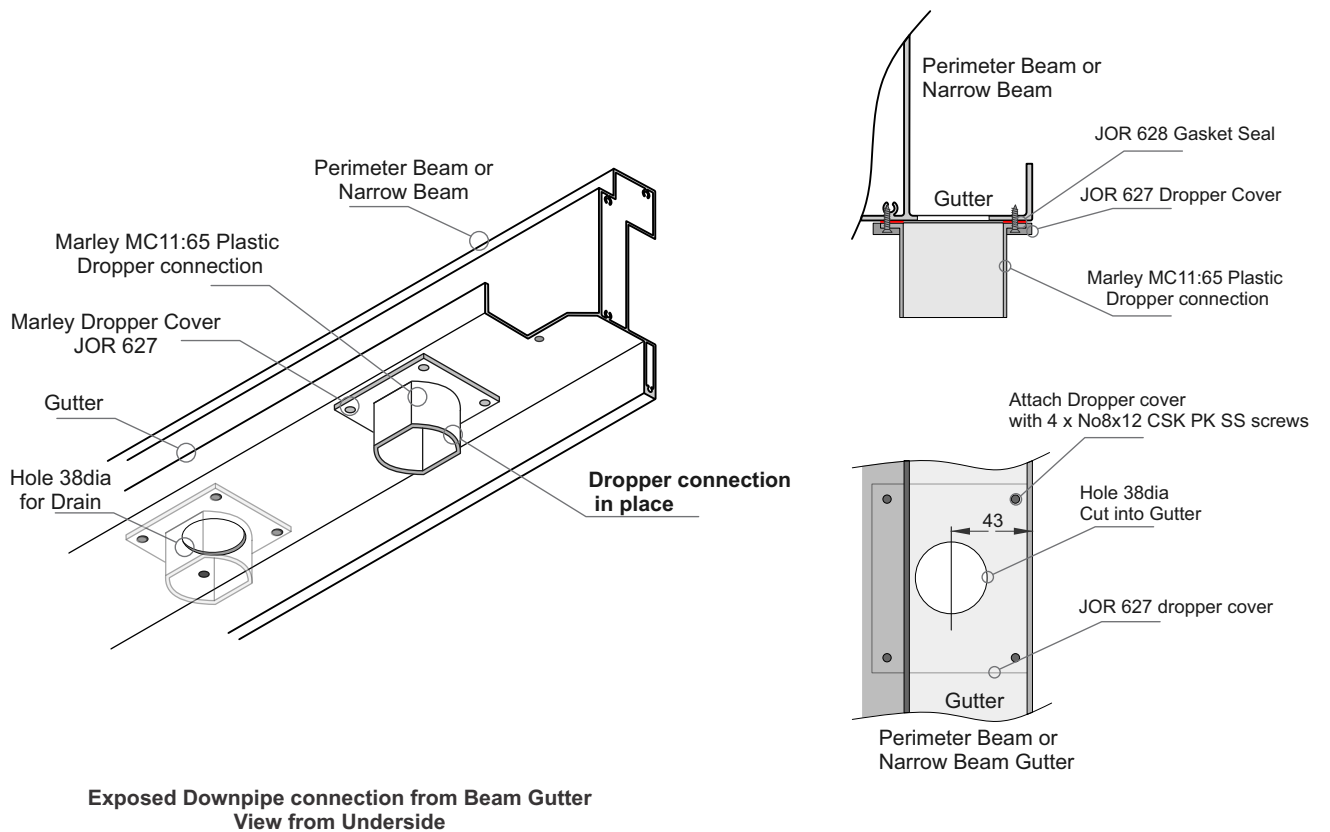
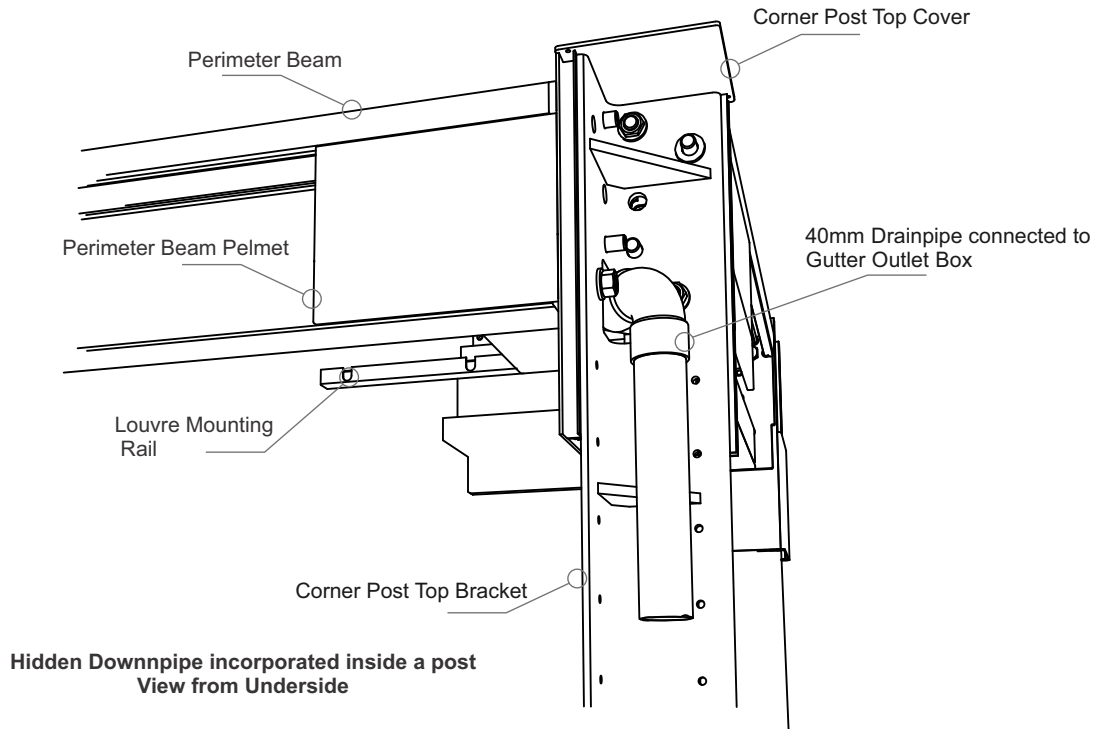


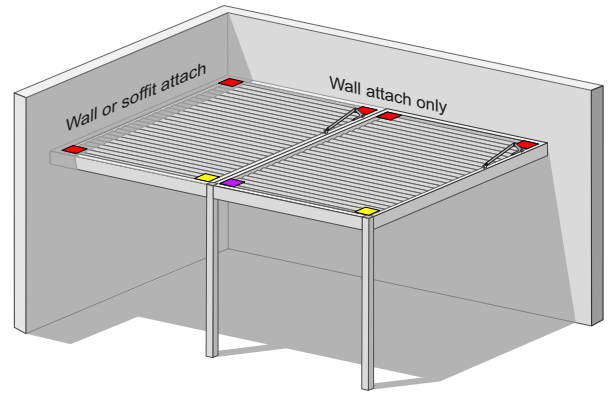
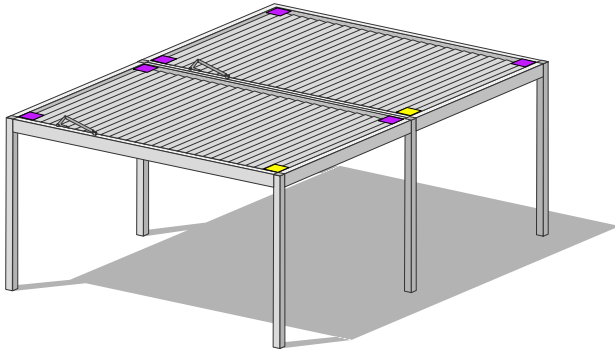
Recommended Integrated Roof attachment to structure

Important Installation Notes:

- 1 - A Design engineer must ensure the building structure can support the appropriate wind loading as detailed in the Structural pages.
- 2 - Bond all coachscrews with SIKA Supergrip to full depth
- 3 - An EPDM, Rubber or Foam Tape layer must be installed between the JOR 507 and Steel
- 4 - All fixings must be Stainless Steel

- The Outdoor Living System is designed to capture rainfall and drain it away in a clean and controlled manner. Louvre drainage must slope one way @ 1.0+ deg towards the drainage point
- If using Posts there is a design feature to have completely hidden downpipes installed inside the post.
- Another option is to have the down pipe installed as part of a beam. The downpipe will then be visible.

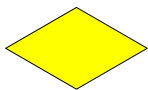
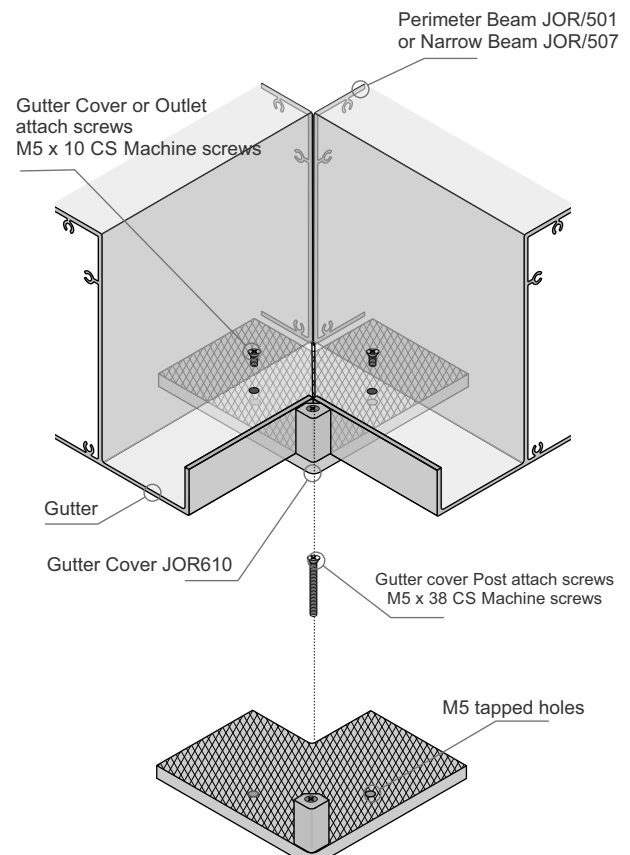
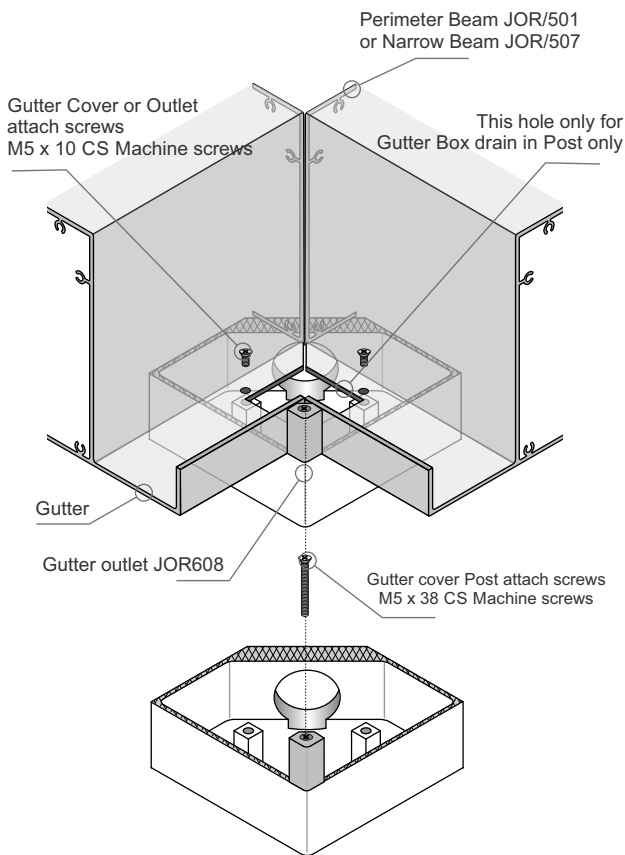




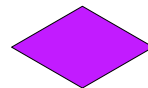
Every Corner must have an appropriate Gutter cover

**Hidden Down pipe JOR608 Gutter Box
- For posts only**

**Gutter cover - For all corners
without the JOR608 Gutter Box**

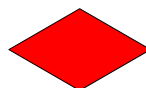
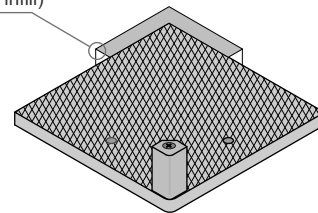


Gutter Outlet box JOR608 and foam gasket
For use with Corner Post or Multi Bay Post only,
hidden down pipe



Gutter Cover JOR610 and foam gasket
(for use with Corner Post, no Gutter Outlet)

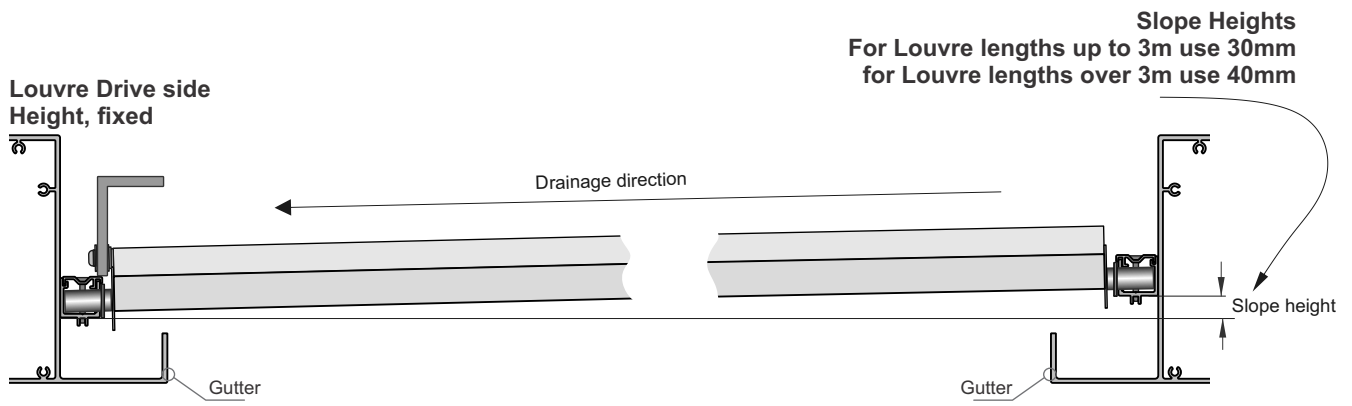
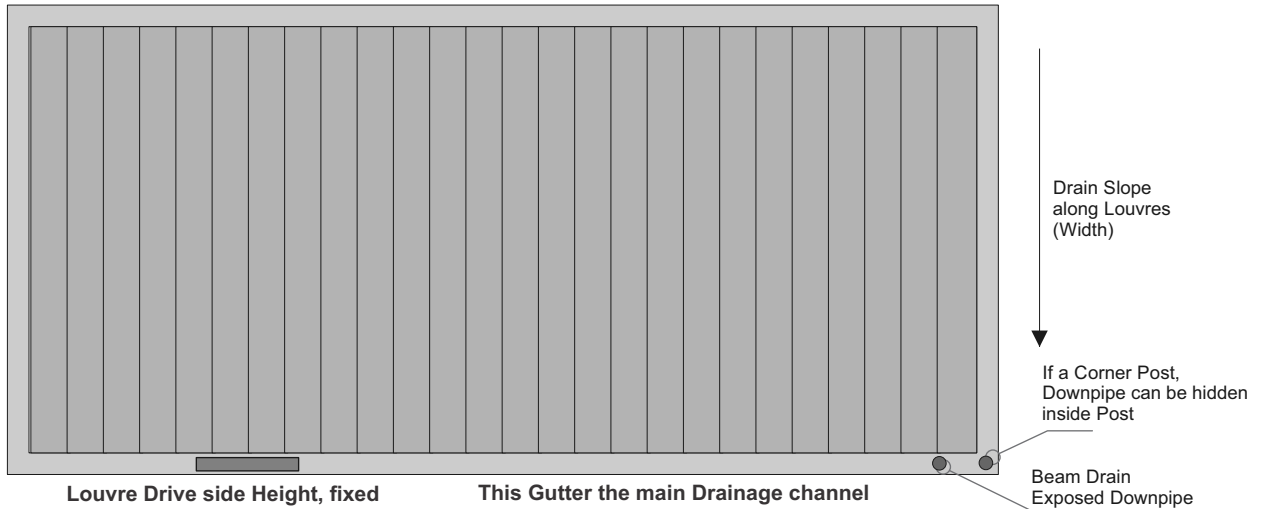
Angle bracket
(decorative infill)



Gutter Cover JOR622 and foam gasket
(for use with No Post,
and JOR/507 Narrow beam)

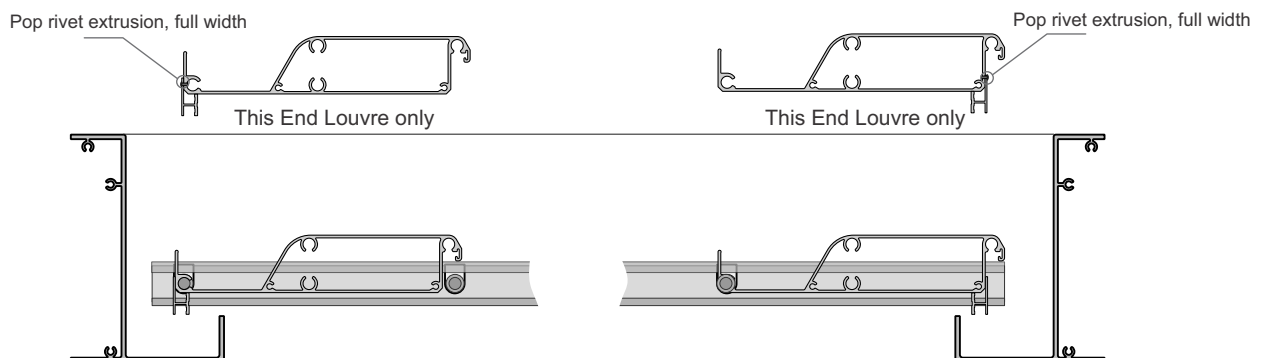


As the Outdoor Living system is designed to drain rainfall away in a controlled manner. It is essential to pre plan drainage options. The Frame is installed with slight slopes, the louvres are also sloped to channel rain into the side Gutters. The generally accepted figure for a drainage slope for this system is a minimum of 1 deg. However on the longer dimensions this will give unacceptable height variations: reduce slope to 0.75 deg. To keep a side level, especially against a house, provide extra drains. It is very important that the client is reminded to keep the gutter clear of debris and leaves. Keep the louvres closed at all times when not in use.

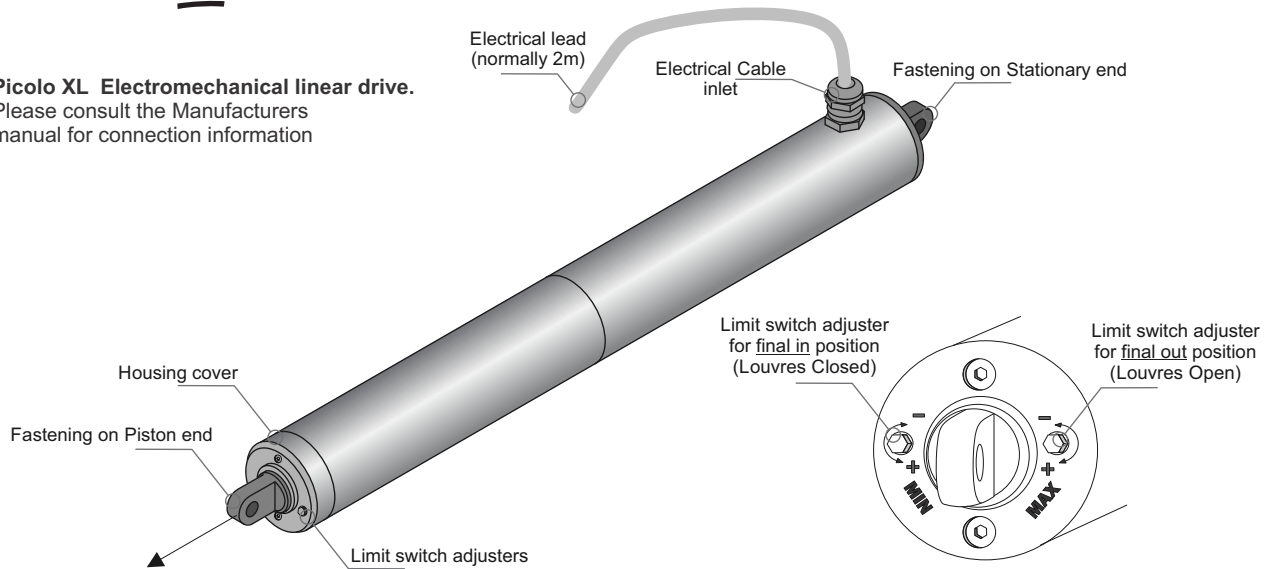


Slope Angle shown exaggerated

Preventing Splashing at each End Louvres



Piccolo XL Electromechanical linear drive.
Please consult the Manufacturers manual for connection information



- Before adjusting the limit switches, the piston rod must be moved several centimeters away from the position to be set.
- Factory setting: The limit switches have been preset to the dimensions defined in the order confirmation.

If any other dimensions are required, proceed as described below.

The two limit switch setting screws are located on the cover of the piston side of the device.

1. Move the piston rod a few centimetres away from the targeted limit switch position.
2. Adjust the limit switch (+/-).
3. Move the drive back to the limit switch.
4. Repeat the process until the desired dimension is reached.

Piccolo XL Electromechanical linear drive.

Please consult the Manufacturers manual for connection information
Wiring diagram for 230/240V 1ph.

Piccolo XL Wire # and Letter

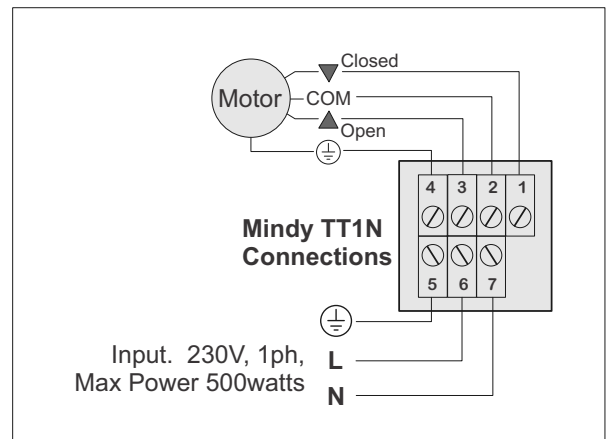
for Mindy TT1N terminals

#1 (N) connect to No 2 terminal

#2 (R) connect to No 1 terminal

#3 (V) connect to No 31 terminal

Green/Yellow connect to No 4 terminal



Piccolo XL Electromechanical linear drive.

NICE Wireless Reciever for Motor actuation



Mindy TT1 miniaturised receiver control units with pass-through installation, IP55 protection.

With radio-controls 433.92 MHZ receiver with over 4.5 million billion combinations.

Self-recognition of the transmitters of the NiceWay series with 2, 4 or 6 channels.

TT1 N for awnings and rolling-shutters. Ultra compact 96mm long x 26 x 20mm

For motors max. 500 W. Total flexibility of motor control with 2 transmitter memorisation modes

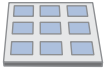
Mode I: UP - STOP - DOWN. Mode II: STEP-BY-STEP - ASCENT ONLY -DESCENT ONLY - STOP.

Memorizes up to 80 transmitters. Internal terminal board for connection.

The Bask system has a Motor actuated louvre open and close system. Up to 4 motorised dropdown screens can be incorporated into the frame. These can all be organised from a single wireless controller

Wireless Remote Controls

Wireless Modules



Modules are available in the following configurations for Open, Stop, Close operations, either in single or multi group mode.

- WM001G - 1 x Single or Multigroup
- WM002G - 2 x Single or Multigroup
- WM003G - 3 x Groups in Single or Multigroup
- WM006G - 6 x Groups in Single or Multigroup

Optional Wind Sensor for Wireless Modules (above)

JNICE/VOLO
Wind Sensor



Wind Sensor threshold has 3 wind speed settings
15, 30, 45 Kph

Standard Housings for Wireless Modules (above)



WAX
Table top or
Wall mount transmitter with magnetic attachment to WWW Wall bracket



WWW Wall bracket for magnetic attachment to WAX transmitter

Optional Sun/Rain Sensor for Wireless Modules (above)

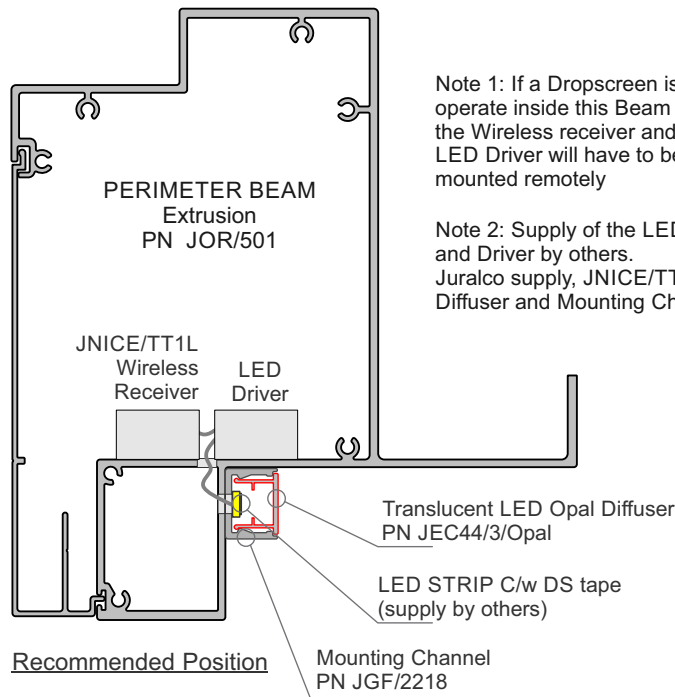
JNICE/NEMO/SRT
Sun and Rain Sensor



Sun Sensor has settable range 5 - 60klux
Rain sensor on/off

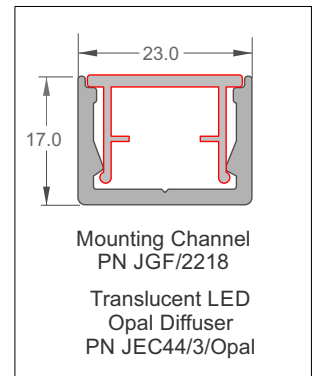
Lighting.

As the Bask system is by nature to be installed outside, suitable lighting will extend its evening use for entertaining and relaxing. Many lighting solutions exist, depending on client requirements; the following are recommendations only. LED Striplights are available in a variety of shapes from a variety of suppliers. Most of these are quite small, about 20mm wide x 10mm deep, and usually up to 2m long. Waterproof strips only 11mm wide x 3mm deep (IP 67) can be obtained up to 10m long. Attachment with suitable double sided tape is satisfactory. Control gear can be housed inside the JOR 501 extrusion. Dimming and colour changing are possible options.



Note 1: If a Dropscreen is to operate inside this Beam the Wireless receiver and LED Driver will have to be mounted remotely

Note 2: Supply of the LED striplight and Driver by others. Juralco supply, JNICE/TT1L, Opal Diffuser and Mounting Channel

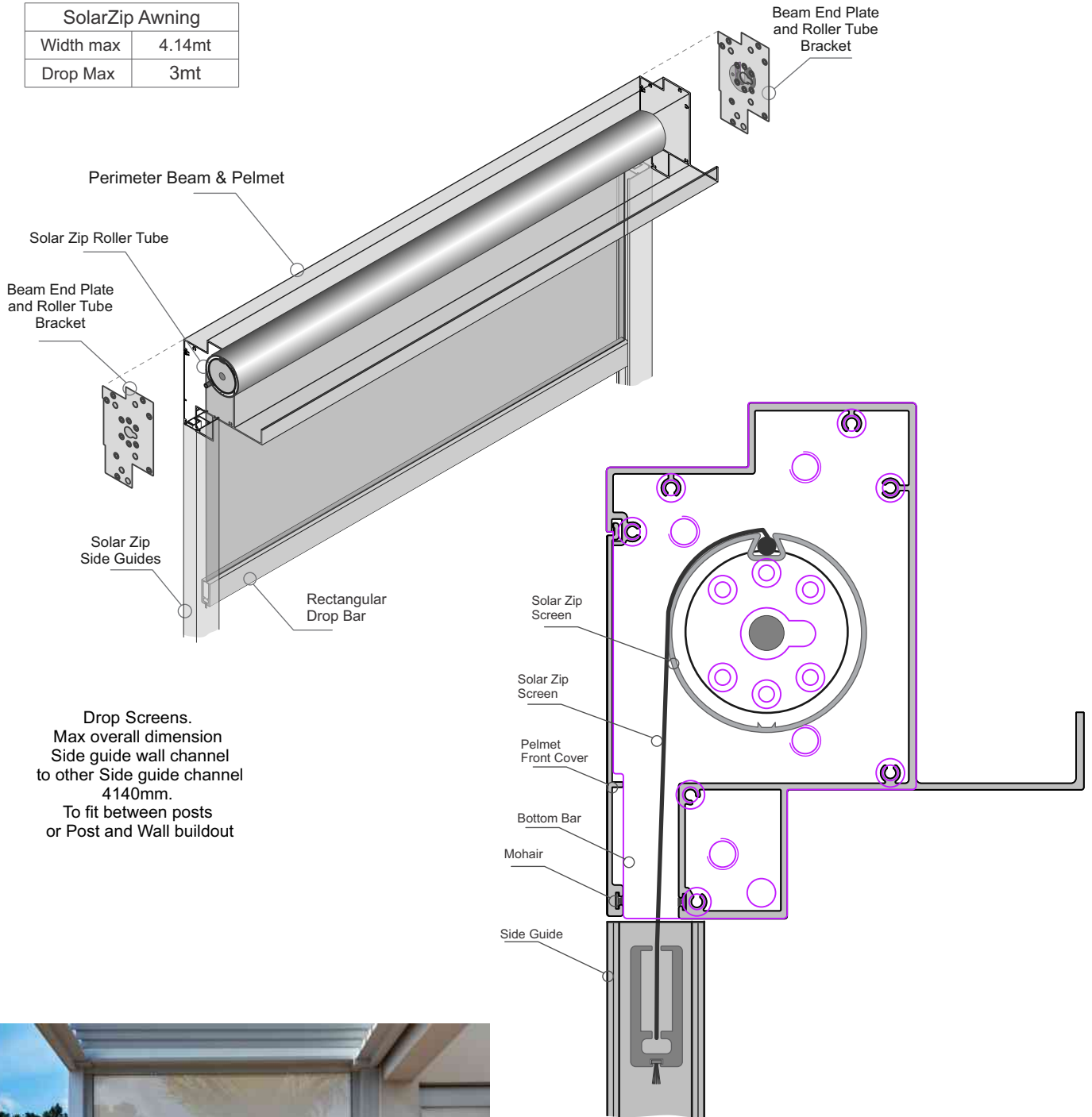


Mindy TT1 miniaturised receiver control units with pass-through installation, IP55 protection. With radio-controls 433.92 MHz receiver with over 4.5 million billion combinations. Self-recognition of the transmitters of the NiceWay series with 2, 4 or 6 channels. TT1 L for Lighting control Ultra compact 96mm long x 26 x20mm

SolarZip - General

The Juralco SolarZip Awning Features:
Enclosed in Beam - Beam Ends support the ends of the Roller Tube.
 The Awning is completely hidden inside the Perimeter Beam.
Operation - Tubular motor, remote wireless controls.

SolarZip Awning	
Width max	4.14mt
Drop Max	3mt



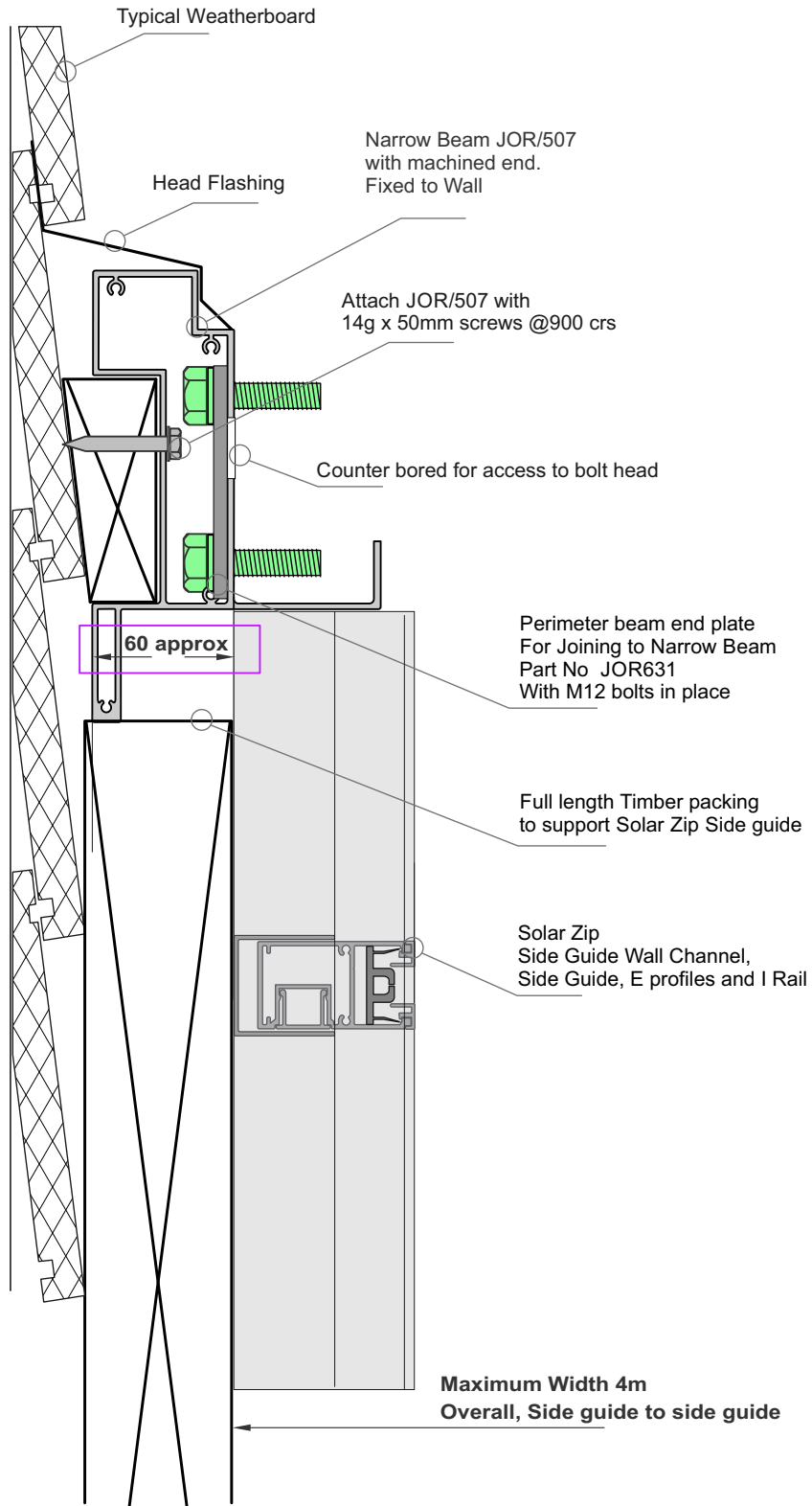
Drop Screens.
 Max overall dimension
 Side guide wall channel
 to other Side guide channel
 4140mm.
 To fit between posts
 or Post and Wall buildout



Juralco SolarZip Awning

The Juralco SolarZip Awning consists of :

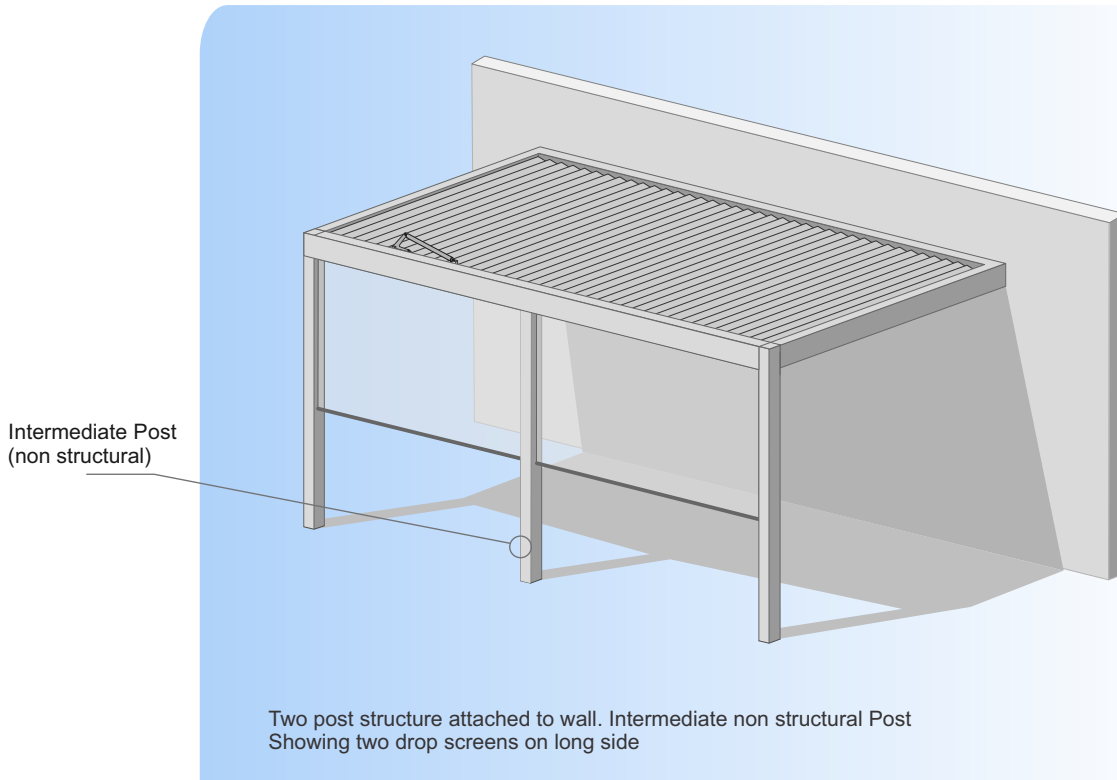
- Roller tube** - 2mm wall aluminium extrusion 80mm dia, with a groove to fix the awning fabric.
- Side Guides** - 60mm x 30mm vertical aluminium extrusions, incorporating a plastic floating inner extrusion.
- Drop Bar** - a heavy 42mm x 20mm horizontal dropper.
- Awning** - Solarview or Aspect Fabric awning materials. Awning fabrics will withstand wind, rain and pollution. The fabrics are colour durable and resistant to most common chemicals, mildew, and UV degradation. Solarview 5yr guarantee, Aspect 10 yr warranty

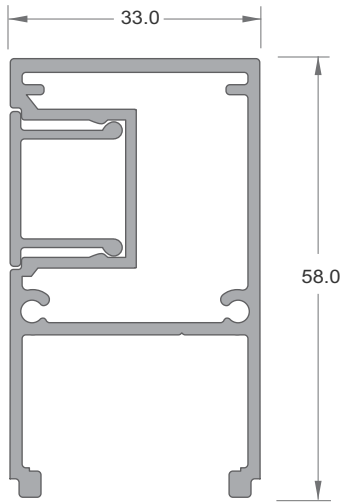




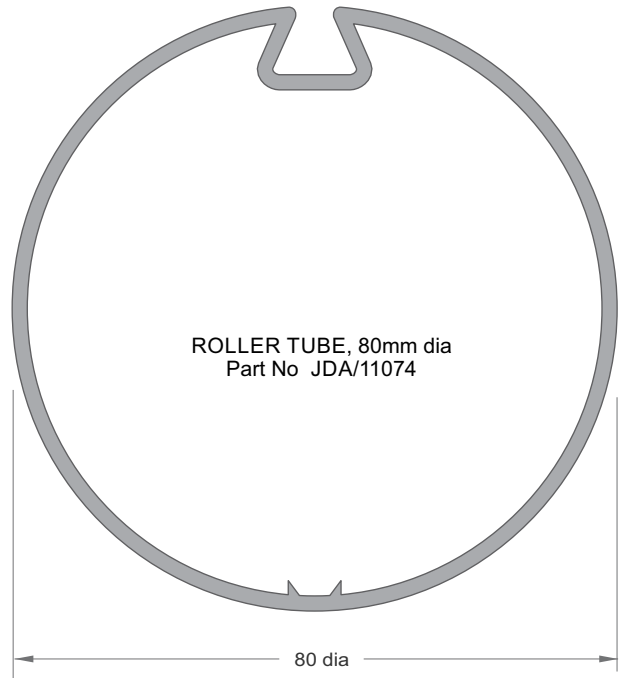
HomePlus® Outdoor Living System Non Structural Posts

Showing a typical solution for a structure having Post to Post ID greater than 4.14m thus requiring a non structural Post and two Solar Zip drop down screens. Another possible reason for a non structural Post is to provide a 'door' opening

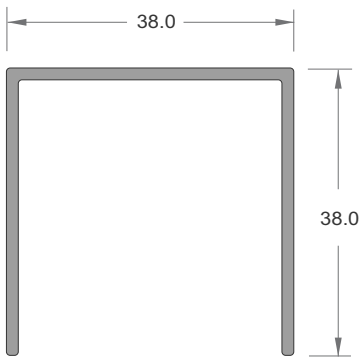




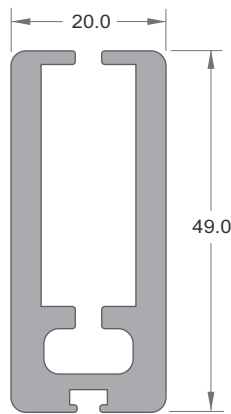
SIDE GUIDE
 Part No JZP/CS/14000



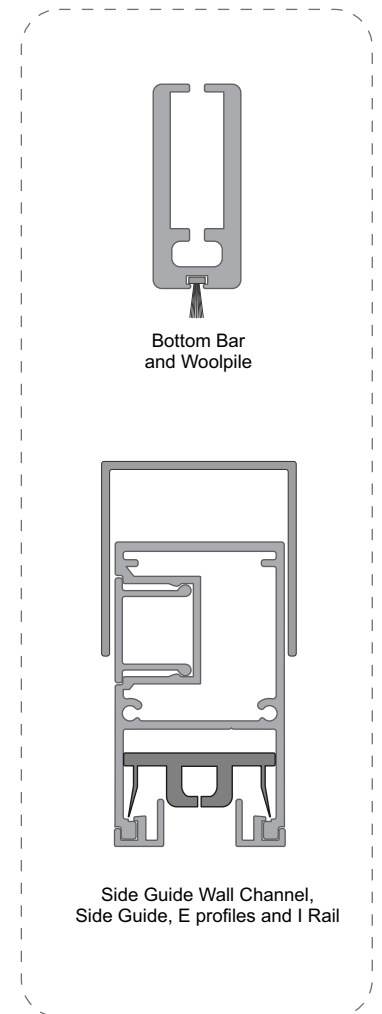
ROLLER TUBE, 80mm dia
 Part No JDA/11074



SIDE GUIDE WALL CHANNEL
 Part No JA275



BOTTOM BAR
 Part No JZP/CS/16000



Bottom Bar and Woolpile

Side Guide Wall Channel, Side Guide, E profiles and I Rail

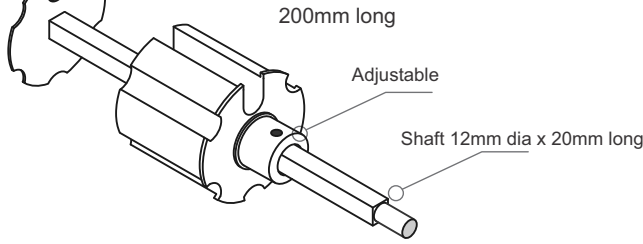


I RAIL (plastic)
 Part No JZP/CS/12011/Black



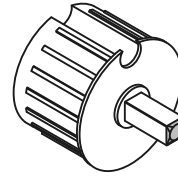
E PROFILE (plastic)
 Part No JZP/12021/Black

Roller Tube End Cap
 Part No JZP/SM/51036



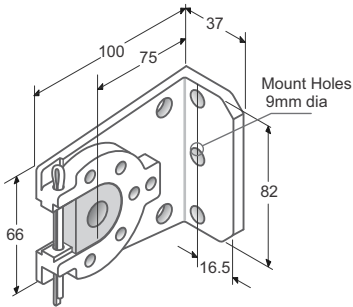
Roller Tube End Cap
 Part No JZP/SM/51047

80mm dia, 13mmsq shaft

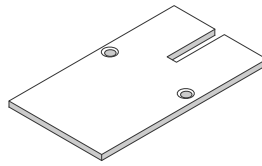


Roller Tube Mounting Bracket
 Part No JBA/4031542

Set = Pair,
 1 x RH
 and 1 x LH

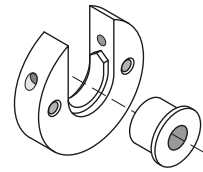


Side Guide End Caps
 Part No JZP/CS/14030



Black PVC

Roller Tube Bracket
 PN JZP/SM/73120



For use in Pelmet Box; includes Plastic Bearing

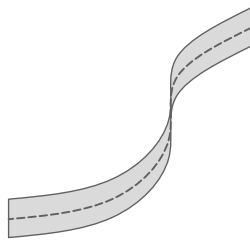
Bottom Bar
 Plastic End Clips

RH and LH as a set.
 2 x sets per
 Bottom Bar



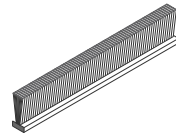
Part No JZP/SM/16501/White
 Part No JZP/SM/16503/Black

Weldable SolarZip
 Part No JZP/CS/20010



Lengths 1m, Grey

SolarZip Fall Bar Mohair
 Part No JRF/98/10



Lengths 1m, Black

Fabric Ranges

Solarview Sunscreen

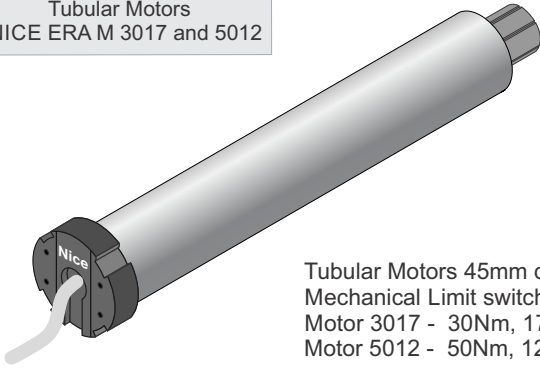
Solarview is 30% polyester, 70% PVC fabric manufactured and designed for controlling heat and light in our harsh NZ climate.

The sturdy 2 x 2 weave ensures the fabric is a pleasure for manufacturers to work with, and a clean cut can be guaranteed with any method of manufacture.

Solarview is a light filtering fabric, flame retardant, mould and mildew protected.

To clean, wipe with warm soapy water and damp cloth. Suitable for both internal and external applications and is easily weldable.

Tubular Motors
JNICE ERA M 3017 and 5012



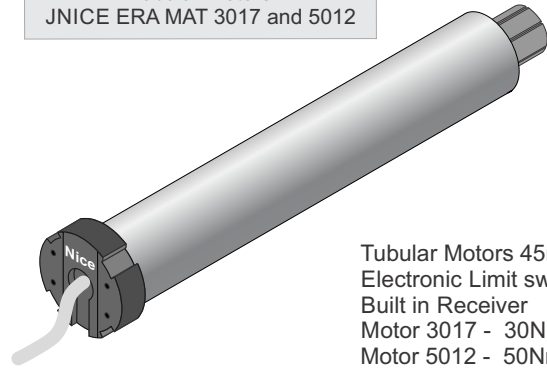
Tubular Motors 45mm dia
 Mechanical Limit switches
 Motor 3017 - 30Nm, 17rpm
 Motor 5012 - 50Nm, 12rpm

POWER CABLE

Length 2.5 m, 4 wires in cable



Tubular Motors
JNICE ERA MAT 3017 and 5012



Tubular Motors 45mm dia
 Electronic Limit switches
 Built in Receiver
 Motor 3017 - 30Nm, 17rpm
 Motor 5012 - 50Nm, 12rpm

POWER CABLE

Cable length 2.5 m, 6 wires in cable



Manual
Switch Controls

Wall Controls

3 position Rotary Wall Switch
 Up - Off - Close
 Cover Plate - Part No SSW 770 CPSM
 Switch - Part No SSW 770 RSB



Wireless
Remote Controls

Wireless Modules

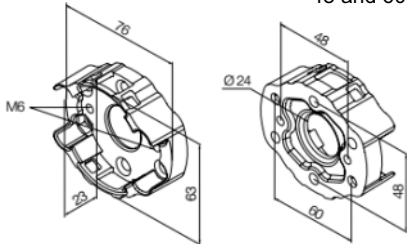


Modules are available in the following configurations for Open, Stop, Close operations, either in single or multi group mode.

- WM001G - 1 x Single or Multigroup
- WM002G - 2 x Single or Multigroup
- WM003G - 3 x Groups in Single or Multigroup
- WM006G - 6 x Groups in Single or Multigroup

Motor Mount Brackets
NICE 535.10092

For 45mm dia Motors
 Compact aluminium support. 2 x holes M6 at 48 and 60mm CL



Standard Housings for
Wireless Modules (above)



WAX
 Table top or
 Wall mount transmitter with magnetic attachment to WWW Wall bracket



WWW Wall bracket for magnetic attachment to WAX transmitter

Optional Wind Sensor for
Wireless Modules (above)

JNICE/VOLO
 Wind Sensor



Wind Sensor threshold has 3 wind speed settings
 15, 30, 45 Kph

Optional Sun/Rain Sensor for
Wireless Modules (above)

JNICE/NEMO/SRT
 Sun and Rain Sensor



Sun Sensor has settable range 5 - 60klux
 Rain sensor on/off

Powder Coating Installation Care

Warning re use of solvents:

- In some cases strong solvents are recommended for thinning various types of paints and also for cleaning up mastics and sealants.
- These can be harmful to the extended life of the powder coated surface, and must not be used for cleaning purposes.
- It is important to note that the damage will not be visible immediately and may take up to 12 months to develop.

If paint splashes or sealants and mastics need to be removed then the following may be safely used: Methylated Spirits, Ethyl Alcohol, Isopropanol or preferably a mild detergent in warm water.

Joinery Protection during Installation:

All the activity on a construction site means that your powder coated items may get knocked or scratched, splattered with mortar, plaster, textured coating or paint during the later stages of construction.

Please ensure that all powder coated articles are masked or covered at this time. It is far easier to prevent accidents than to try and correct them. Should your joinery receive mortar or paint splashes see that these are removed before cure and follow the instructions contained in this brochure.

Typical sticker used to warn other trades of the need to protect and mask off powder coated joinery (applies to anodised joinery also)

“IMPORTANT ALL TRADES”
 This valuable aluminium joinery will suffer permanent damage from: plaster, mortar and paint splashes - Protect if splashes occur - Immediately wash down joinery with water or meths - Do not allow splashes to harden! ~ Do not use solvents! - Do not remove this label until final clean completed.

This photograph display damage that has occurred on site, post installation. The photo of the masked joinery displays clear signs of damage that could have occurred were it not masked. Please ensure that your joinery is protected right through the entire construction process.



Powder Coating Maintenance

External - Maintenance Program:

To extend the life of external powder coated articles and to comply with warranty requirements for powder coated aluminium joinery, a simple, regular maintenance program must be implemented.

The effects of ultra violet light, atmospheric pollution, dirt, grime and airborne salt deposits will all accumulate over time and must be removed or surface staining and weathering will occur, leading to an unsightly appearance.

For external coatings, cleaning should take place every six months. In areas where pollutants are more prevalent, such as beachfront houses and industrial or geothermal areas, then a cleaning program should be carried out on a more frequent basis ie. every one to three months.

Cleaning your powder coating:

1. Carefully remove any loose surface deposits with a wet sponge.
2. Use a soft brush (non abrasive) and a mild household detergent (do not use solvents) in warm water, remove dust, salt and other deposits.
3. Rinse off with clean fresh water.



Restoring weathered or scratched surfaces:

Repair of Scuffed or Scratched surfaces
 Dulux Spray Cans are available in all colour card colours.

Repair of Small Scratches or Chips.
 Dulux Dabsticks are ideally suited for the repair of small scratches. Dabsticks may not be available in all colour card colours.

Repair of Weathered areas .
 Dulux Gloss Up is a light to medium cutting cream ideally suited for gloss restoration and has been specifically designed for this purpose. Gloss Up contains no waxes or silicone and is a one step system.



Contact Dulux Powder Coatings , ph 0064 9 441 8244

All pages © Copyright Juralco Aluminium Building Products Ltd, 2018