



 JURALCO

# JURALCO SOLEIA AWNING SYSTEM

ISSUE 1-24 v1

## Juralco Soleia Awning System

Juralco Aluminium Building Products Ltd designs and distributes specialist aluminium joinery systems through a national network of franchised fabricators and agents.

For more than 25 years we have been at the forefront of specialist aluminium door and window products suitable for New Zealand joinery and building methods. Our comprehensive product range includes security and insect screens, balustrades and gates, shutters and awnings, shower screens, wardrobe doors and organisers and internal doors.

The Juralco Soleia Awning is a compact, ready-to-install, cantilevered folding twin arm awning system designed for outside use where protection is needed from sun or light rain. All the components are made of aluminium alloy, ABS plastic or stainless steel, forming a highly-resistant, lightweight, rust-proof construction.



### General Description

- The Juralco Soleia Awning system is available as a single unit up to 5.92m wide, with a max 4.0m arm extension.
- Typical applications include Decks, Bars, Shops, Terraces, or anywhere needing protection from the sun, or light rain.  
The awning is supplied pre assembled, with all necessary brackets, fabric roll and twin folding arms.
- **Box** - Supplied as a single, enclosed unit complete with mounting brackets. Attachment by brackets, either wall or soffit mount.
- **Awning fabric** - Many colours available, all mildew and UV resistant.
- **Drive - Motorised** - An inline tubular motor extends/retracts the awning automatically.  
Remote wireless controls to operate the Awning. Optional wind or vibration sensor.
- **Arms** - Factory set spring loaded arms evenly tension the fabric cover, and absorb movement in windy conditions.
- **Slope** - Awning angle adjustable.
- **Finish** - All Aluminium, powder coated colour of your choice. Arms powder coat Silver only.
- **Wind** - As for all Awnings, care must be taken when installing in Wind prone areas. A Volo wind sensor is strongly recommended.

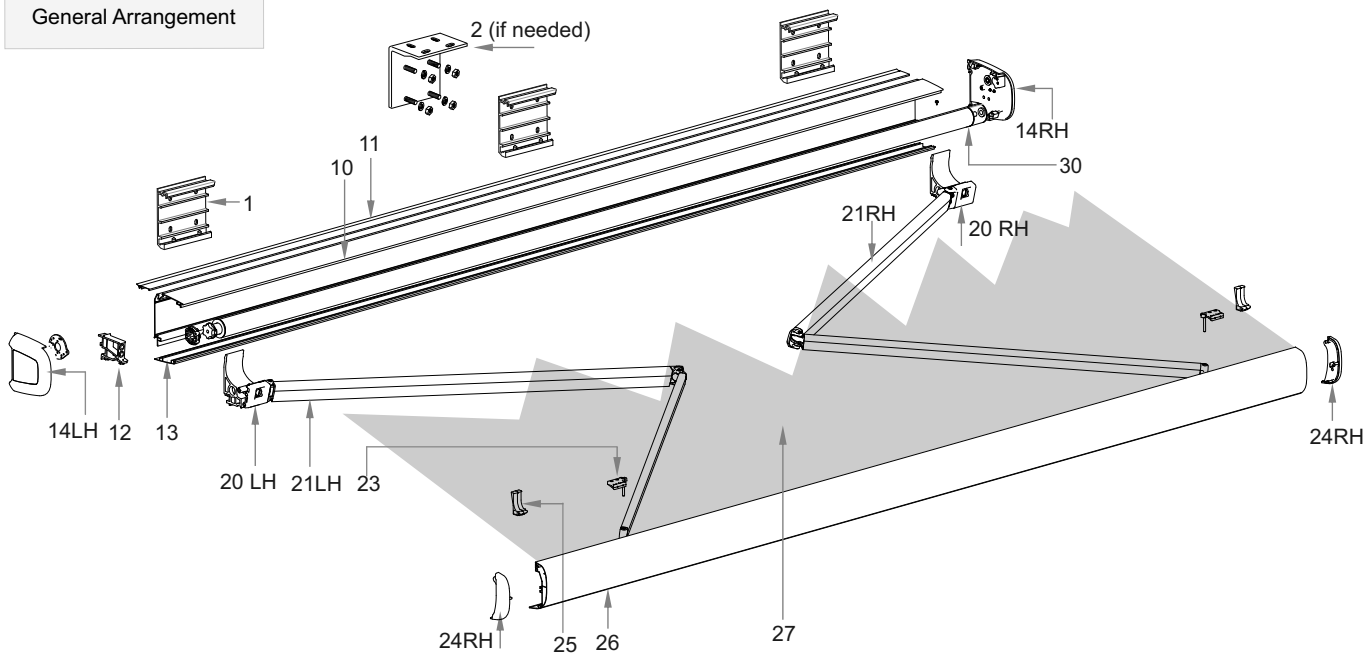
### Index

Heading	Pages	Description
Specifications	3	General arrangements and Powder coating + Awning Fabric specifications
Extrusions	4	Shows Extrusions used for the Delfina
Components	5	Shows all Components
Electrical	6 - 7	Shows all Motors and Wireless options, and Wiring Diagrams and Wind settings
Assemblies	8 - 9	Shows Assemblies
Awning Dimensions	10 - 14	Shows Projection/Angle/Drop and BracketsWidth
Installation	15 - 17	Shows Installation tips
Order Page	18	Shows Order page and options
Building Consents	19 - 21	Shows Factory assembly tips
PowderCoat	22	Shows details and recommendations re the care of Powdercoated surfaces.

All pages © Copyright Juralco Aluminium Building Products Ltd, 2023

# Juralco Soleia Awning System - General Arrangement

General Arrangement



**Note: It is recommended that eyelets are fitted to the front edge of the fabric, to promote draining.**

**Fixings**

- 1 - Face Mounting Brackets 200mm (always needed) c/w M8 clamping screws
- 2 - Soffit Mounting Brackets (if needed)

**Headbox**

- 10 - Headbox Top Profile
- 11 - Headbox Finishing Profile
- 12 - Headbox Underface Profile Bracket
- 13 - Headbox Underface Profile
- 14 - End Caps

- 30 - Roller Tube and Motor

**Folding Arms and Front Profile**

- 20 - Folding Arm Headbox Attach Bracket
- 21 - Folding Arms
- 23 - Folding Arm Front Profile Attach Bracket
- 24 - Front Profile End Caps
- 25 - Front Profile Aligning cams
- 26 - Headbox Front Profile
- 27 - Fabric Awning. Dixon or Planosol

**Electrical and Controllers**

- Tubular Motor
- Portable Wireless Remote control
- Optional Volo Wind Sensor
- Optional NemoVibe Sensor
- Option extra Motor Control

**Planosol Awning Fabric**

Planosol is manufactured from 100% acrylic fibre and will retain a light fastness rating of 6-8 on a 1-8 scale. Planosol is very tightly woven, with minimal light transmission, resulting in excellent UV protection. It has Ultraviolet Protection factor of 50+, maximum value granted for percentage of protection against UV ray and SPF 100. Planosol fabric will remain rot resistant for 5 years under normal exposure conditions.

**Important information - Powder Coating systems.**

**Powdercoat Systems** The new standard Dulux powder coating system used by Juralco is Duralloy Plus®. Also Duralloy® and Duratec®. Juralco Powder coated prices are for Duralloy Plus® and Duralloy® (same pricing). Duratec® prices on application. The following specs apply to Building Exteriors.

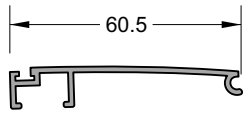
- Dulux Duralloy Plus® powder coating systems are suitable for properties greater than 10m from high tide level. Residential and Light commercial buildings, 3 levels max. Warranty 15 yrs
- Dulux Duratec® powder coating systems are suitable for properties greater than 10m from high tide level All Residential and Commercial buildings. Warranty 25 yrs.

**Attachment to structures** A PVC Tape or similar material spacer must be used to separate powder coated aluminium items from all concrete and steel structures. Failure to do so can lead to the chemicals in the structure affecting the powder coating, leading to corrosion.

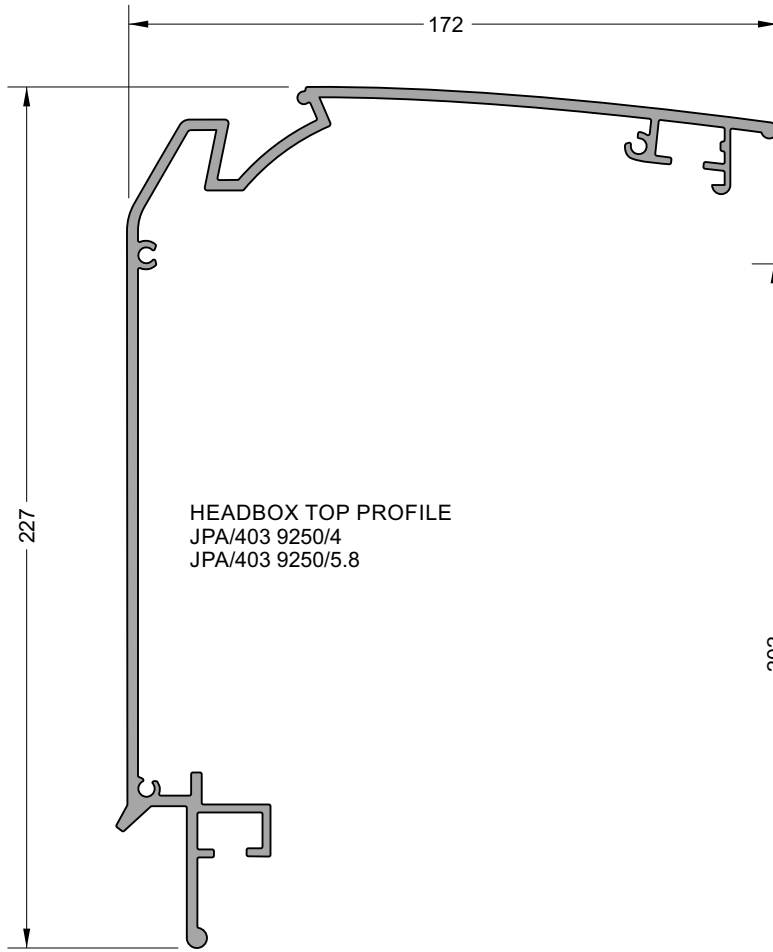
**Swimming Pools** The chlorinated water in swimming pools can cause the deterioration of powder coated surfaces, leading to corrosion of the underlying surface. It is recommended that Powder coated surfaces be 1200mm min from a pool.

**Care** The Dulux powder coating warranty period is conditional upon the surface being maintained in accordance with the Dulux 'Care and Maintenance Instructions'. Download from Dulux or refer to the back page of this manual.

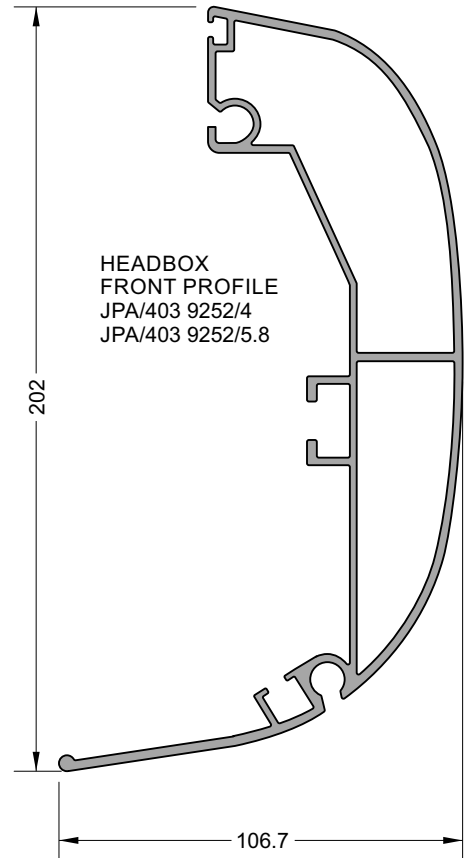
# Juralco Soleia Awning System - Extrusions



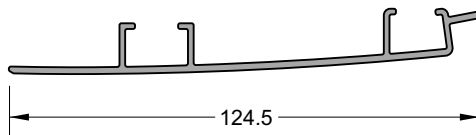
HEADBOX FINISHING PROFILE  
JPA/403 9280/5.8



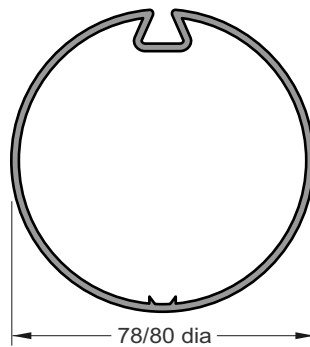
HEADBOX TOP PROFILE  
JPA/403 9250/4  
JPA/403 9250/5.8



HEADBOX FRONT PROFILE  
JPA/403 9252/4  
JPA/403 9252/5.8



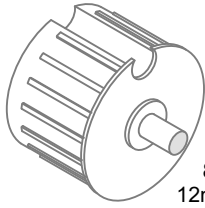
HEADBOX UNDERFACE PROFILE  
JPA/403 9251/5.8



ROLLER TUBE, 78/80mm dia  
JDA/110 74/4  
JDA/110 74/5.82

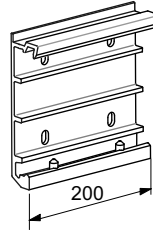
# Juralco Soleia Awning System - Components

Roller Tube End Cap Round  
JDA/403 1327

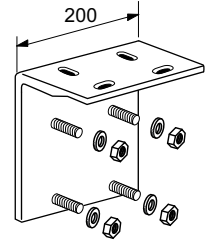


80mm dia  
12mm dia shaft

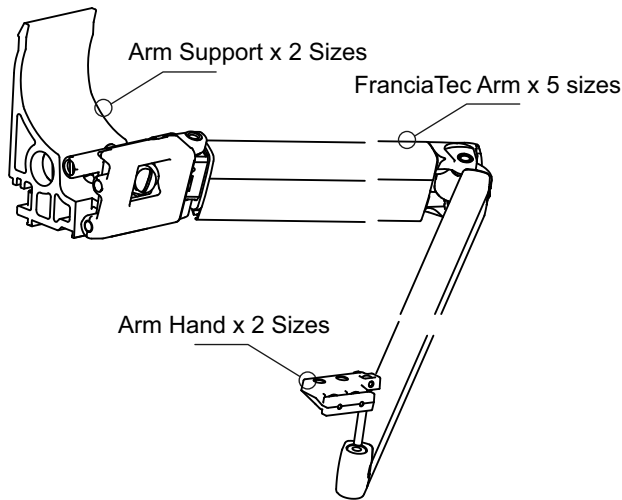
Face Mount Plate  
JPA/403 9287



Soffit Mount Plate  
JPA/403 9297



## Soleia Arm Sets



### FranciaTec Arms

JPA/BRAS2000	2000mm Projection
JPA/BRAS2500	2500mm Projection
JPA/BRAS3000	3000mm Projection
JPA/BRAS3500	3500mm Projection
JPA/BRAS4000	4000mm Projection

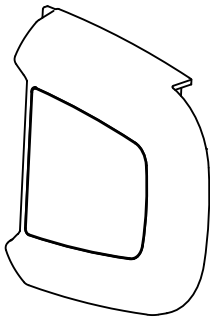
### Arm Support

JPA/403 9319	Left - 2000-3000 arms
JPA/403 9323	Right - 2000-3000 arms
JPA/403 9327	Left - 3500-4000 arms
JPA/403 9331	Right - 3500-4000 arms

### Arm Hand

JPA/405 0010	Left - 2000-3000 arms
JPA/405 0014	Right - 2000-3000 arms
JPA/405 0018	Left - 3500-4000 arms
JPA/405 0022	Right - 3500-4000 arms

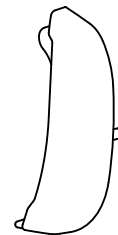
Headbox End Cap  
JPA/403 8185



Headbox End Trim  
JPA/403 9313



Front Profile End Cap  
JPA/403 9345



Focus Cam Black  
JPA/409 3127



# Juralco Soleia Awning System - Installation

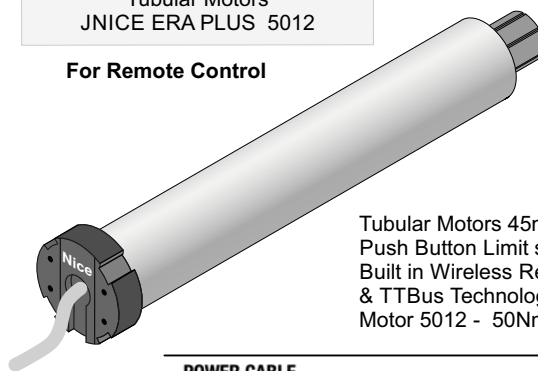
**Tubular motor** ideal for all types of awnings. With built-in receiver, push button limit switch and encoder controlled movement with TTBUS technology.

**RDC:** Function settable on multiple levels with TTP programmer; torque reduction system to gently block movement without stress on the fabric when reaching the closure position, avoiding unsightly sagging.

- 1 - Any installation must comply to current regulations. Connect a 230 V supply to the motor. PLUS manual for specific instructions.
- 2 - Check for correct operation of the Awning. To change direction, reverse the wires of the motor cable.
- 3 - Make a loop on the power supply to avoid rain water getting into the motor head, if necessary
- 4 - The 230w connection can be at either end (specify on Order Form)
- 5 - Ex factory each Soleia Awning is supplied with a 1 Channel remote, (unless specified otherwise) all set up to operate the Awning as Open, Stop and Close

Tubular Motors  
JNICE ERA PLUS 5012

For Remote Control



Tubular Motors 45mm dia  
Push Button Limit switches  
Built in Wireless Receiver  
& TTBUS Technology  
Motor 5012 - 50Nm, 12rpm

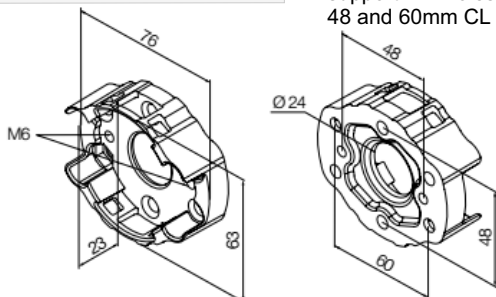
**POWER CABLE**

Cable length 2.5 m, 6 wires in cable



Motor Mount Brackets  
JNICE/BRKT/ERAM

For 45mm dia Motors  
Compact aluminium  
support. 2 x holes M6 at  
48 and 60mm CL



Drive Wheel and Crown  
JNICE/45ROUND78



Motor Remote  
Control Sensors

Wind Sensor threshold has  
3 wind speed settings  
15, 30, 45 Kph



JNICE/WIND/S  
Volo Wind Sensor

NEMO VIBE does not require  
any additional connections  
because it is battery powered.  
It screw attaches to the front  
of the awning. During windy  
conditions, a signal (adjustable)  
is sent via radio sensor to the  
motor mounted in the awning,  
which then retracts the awning.

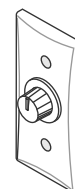


JNICE/NEMOVIBE  
Vibration Sensor

Manual Controls  
Switch Controls

Wall Controls

3 position Rotary Wall Switch  
Up - Off - Close  
Cover Plate - SSW 770 CPSM  
Switch - SSW 770 RSB



Wireless  
Remote Controls

Wireless Receiver



JNICE/BIDIAWNING. Nice controller for  
Wireless operation. Can be added to  
Switch operation and Manual override  
Motors to make for wireless control

Wireless  
Remote Controls

Portable Wireless  
Transmitters



P1 P6 P18

- P1 Portable transmitter to control 1 electrical load system or automation group
- P6 Portable transmitter to control 6 electrical load systems or automation groups for activation in single or multigroup mode
- P18 Portable transmitter to control 18 electrical load systems or automation groups for activation in single or multigroup mode

## Juralco Soleia Awning System - Motor Controls

**Remote Control**  
Wireless Controls  
TTBus

**Volo Wind Sensor 15kph Limit set at factory**  
(set limits available 5,10,15,30,45kph)

**Motor fully tested**  
and Limits set at factory

**Wireless Remote Control**  
Portable Wireless Transmitters

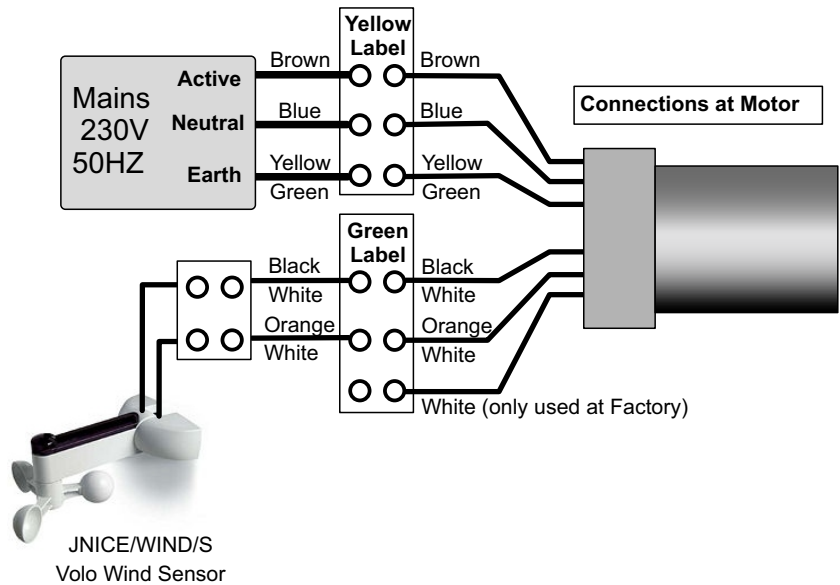
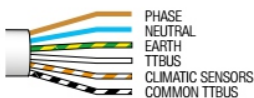


P1 P6 P18

Tubular Motor, 45mm dia  
JNICE ERA PLUS 5012

**Motor Power Cable**

Cable length 2.5 m, 6 wires in cable



## Wind Speed Adjustment - Awning Retraction settings

At the factory, the intervention threshold is set at level 3 and to change it you must take the following steps

01. Keep the **n** key pressed and wait for the motor to perform 2 movements. Upon completion, release the key.
02. Keep the **t** key pressed and wait for the motor to perform 3 movements. Upon completion, release the key.
03. Briefly press the **s** key a few times, depending on the level you want to set for wind threshold.

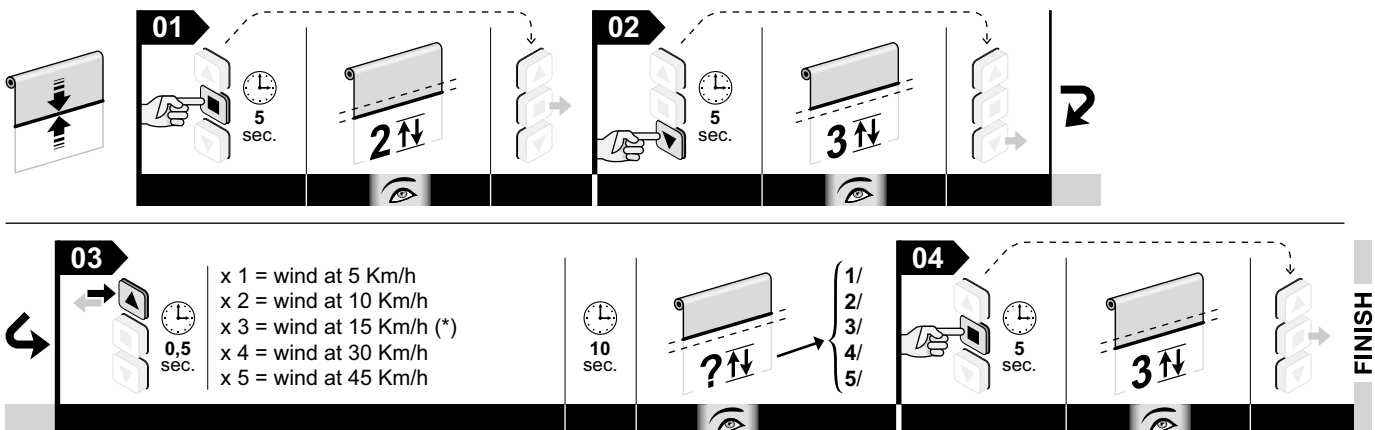
- 1 press = wind, 5 km/h
- 2 presses = wind, 10 km/h
- 3 presses = wind, 15 km/h (factory settings)\*
- 4 presses = wind, 30 km/h
- 5 presses = wind, 45 km/h

After about 10 seconds, the motor performs the number of movements indicated by the level number selected

Note – If this does not occur, cancel the procedure.

This way, the adjustment is completed without changing the factory setting.

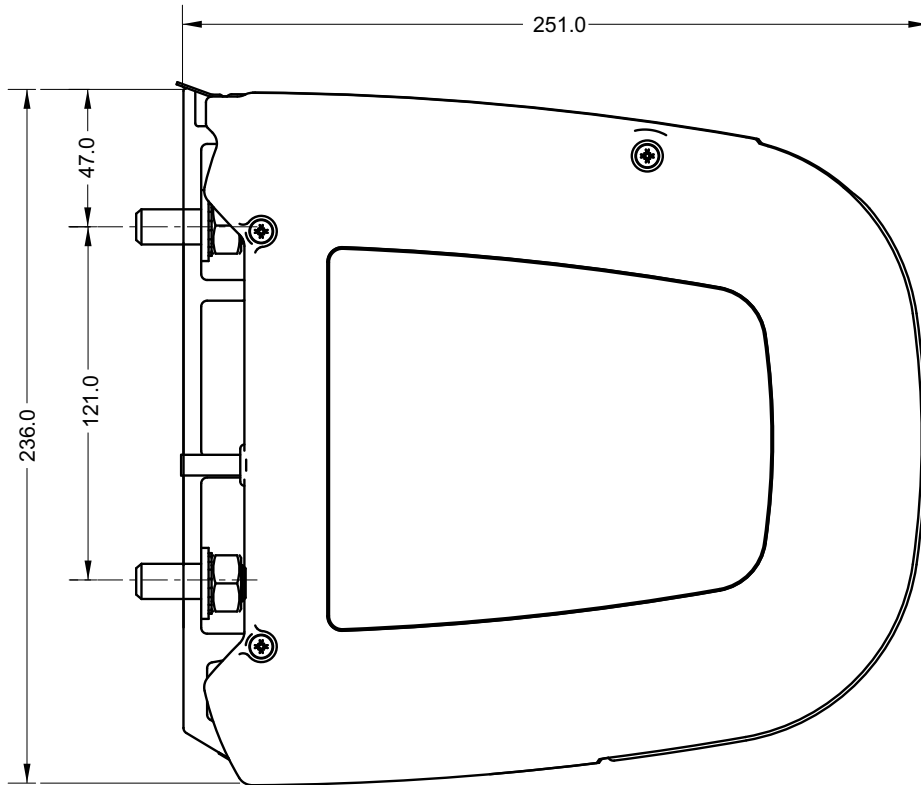
04. Keep the **n** key pressed and wait for the motor to perform 3 movements. Upon completion, release the key.



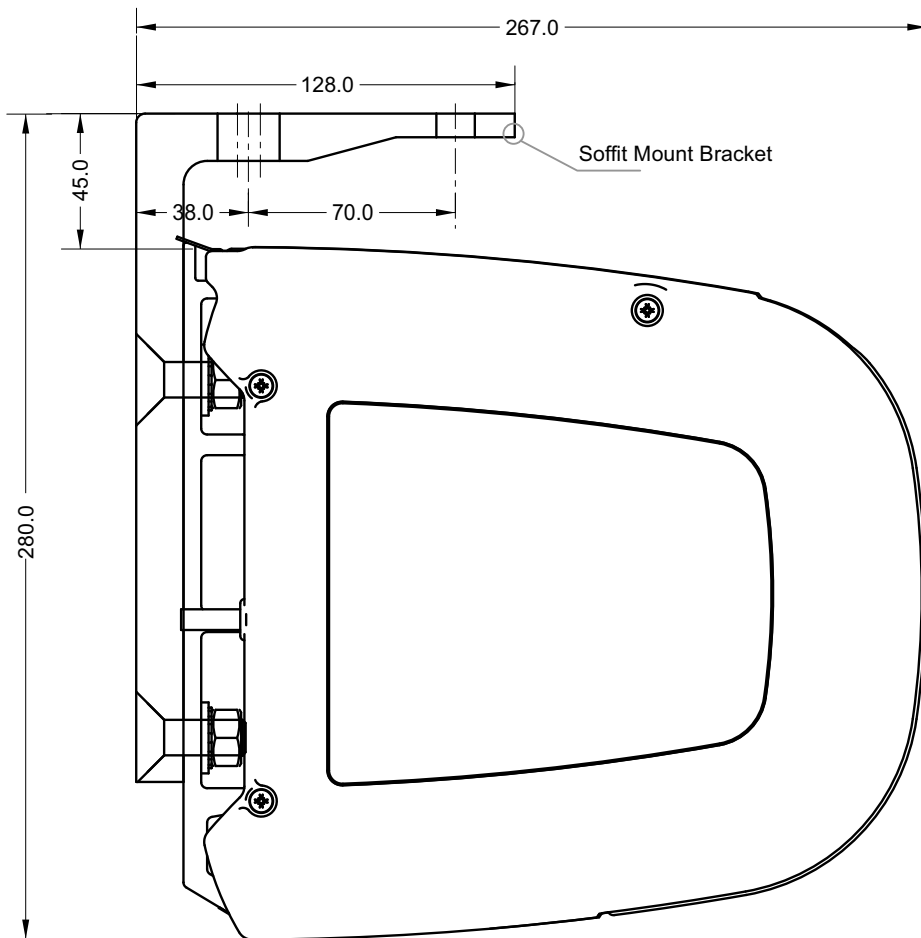
Notes.

- When performing the procedure, you can cancel it at any time by keeping the **n** and **t** keys pressed simultaneously for 4 seconds.
- Otherwise, do not press any key and wait 60 seconds for the motor to perform 6 movements.
- If you use a sensor equipped with a "trimmer", you must read the sensor instructions and adjust the threshold directly on the sensor.

251 Juralco Soleia Awning System - Face Fix and Soffit Fix



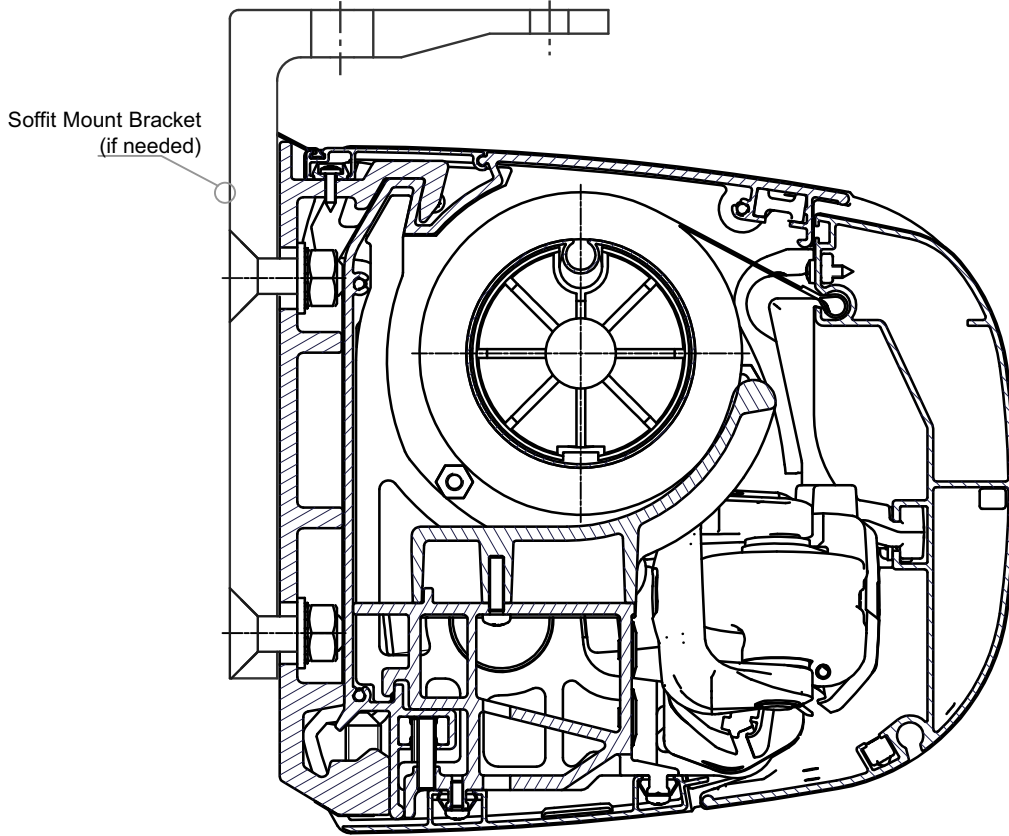
Juralco Soleia Awning  
Face Fix



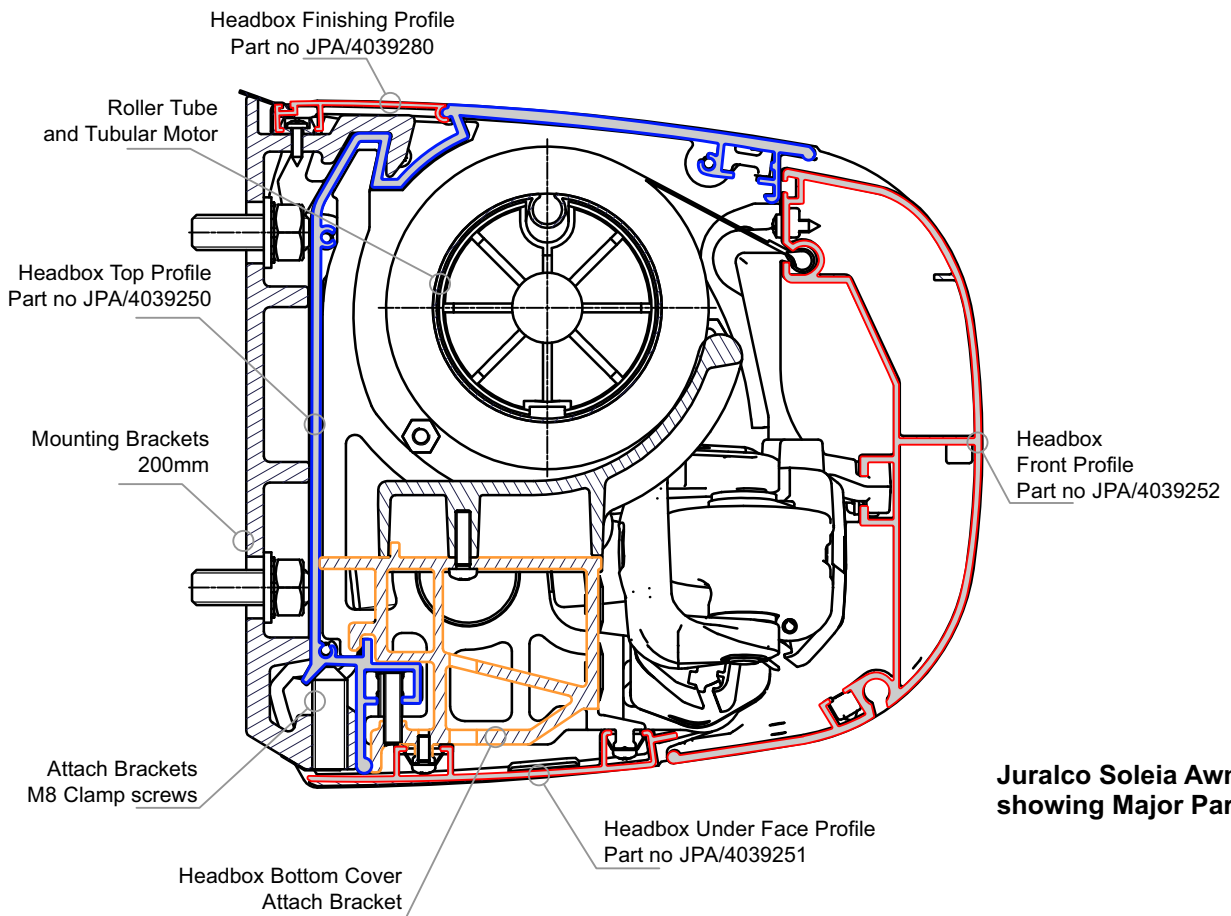
Juralco Soleia Awning  
Soffit Fix



**Juralco Soleia Awning System - Cross Section**

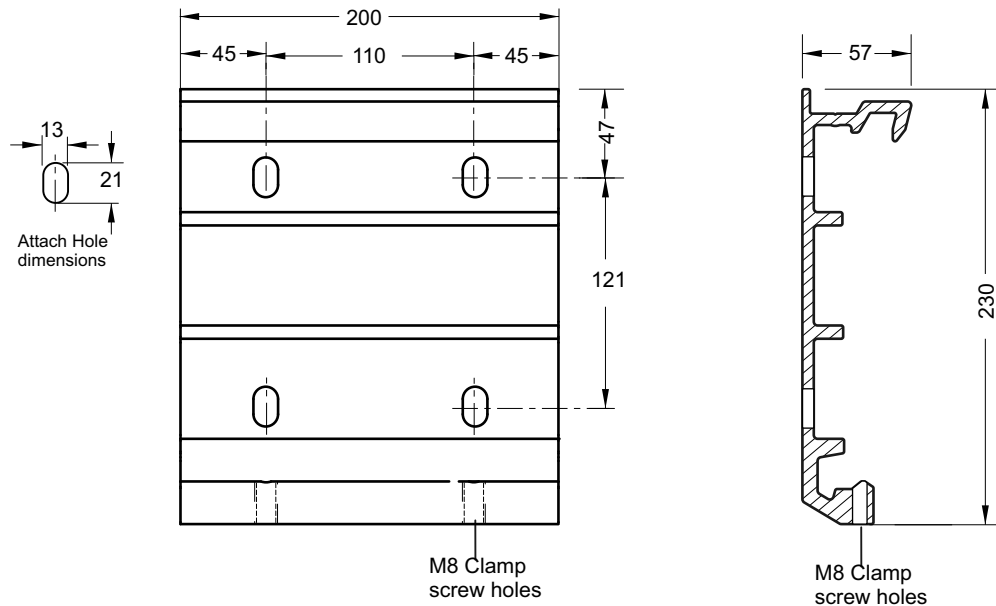


**Juralco Soleia Awning**

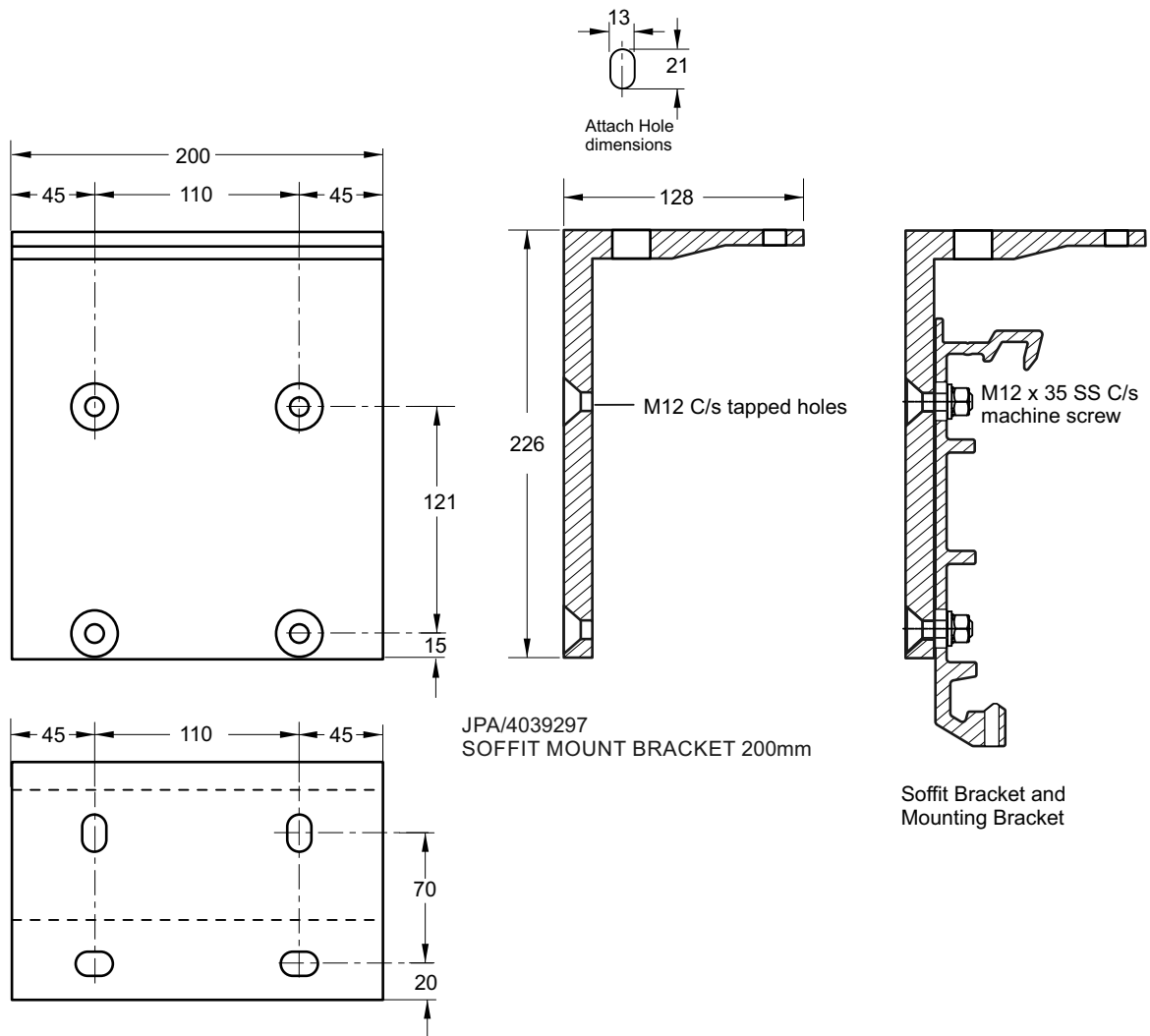


**Juralco Soleia Awning showing Major Parts**

## Juralco Soleia Awning System - Mounting Brackets



JPA/4039287  
FACE MOUNTING PLATE 200mm

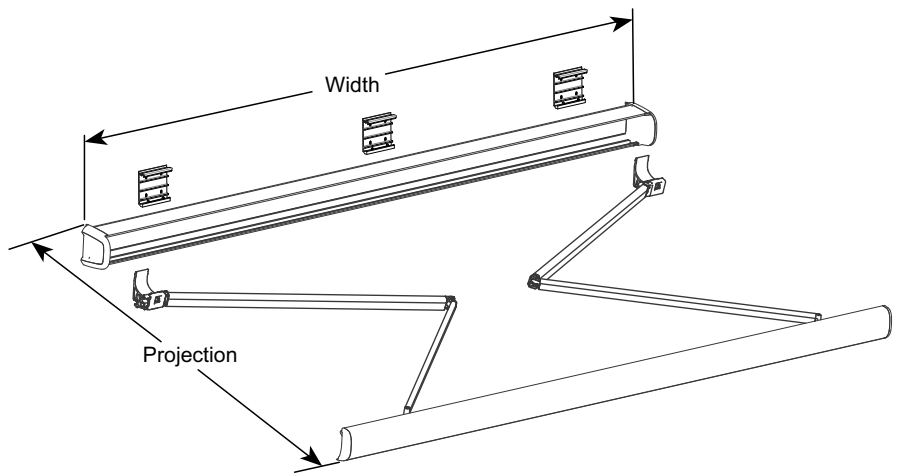
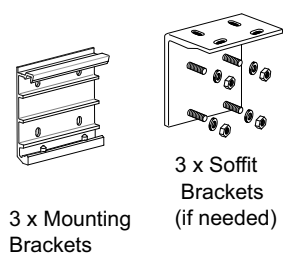


JPA/4039297  
SOFFIT MOUNT BRACKET 200mm

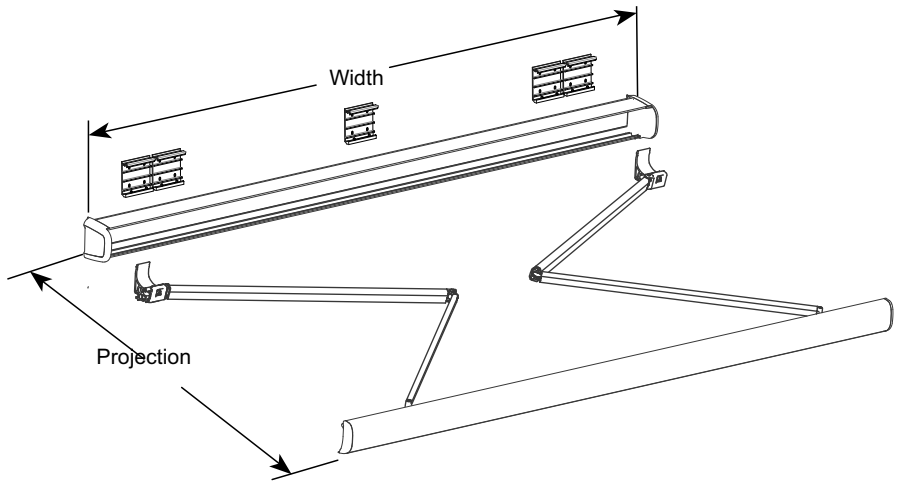
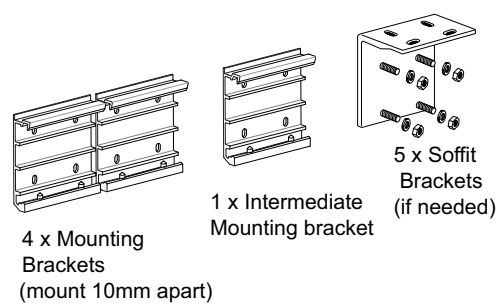
Soffit Bracket and  
Mounting Bracket

# Juralco Soleia Awning System - Installation - Size, Type and Bracket selection

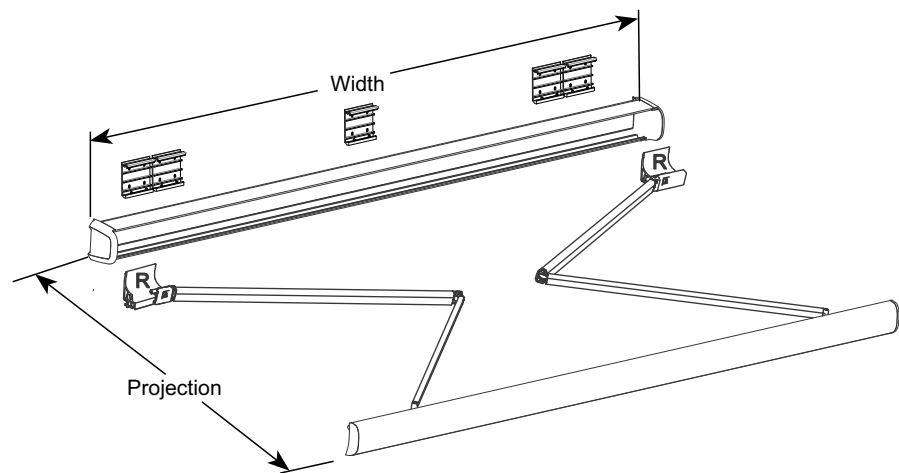
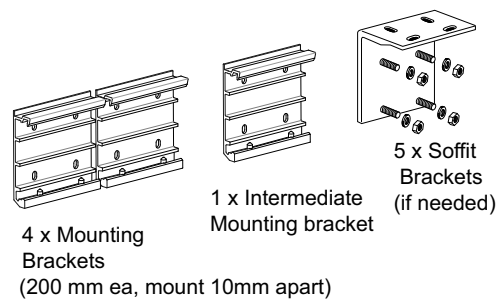
- 1** - 3 x 200mm Mounting Brackets  
 - Standard Arm Supports



- 2** - 4 x 200mm Mounting Brackets  
 - 1 x 200mm Intermediate support  
 - Standard arm supports



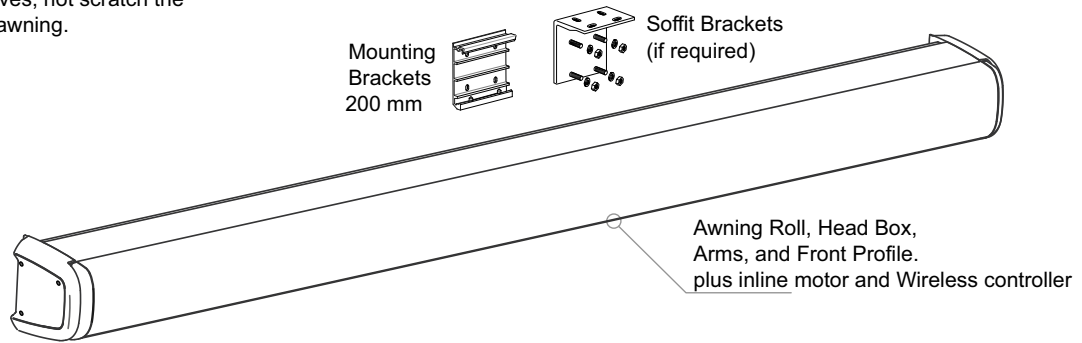
- 3** - 4 x 200mm Mounting Brackets  
 - 1 x 200mm Intermediate support  
 - **Reinforced** Arm supports



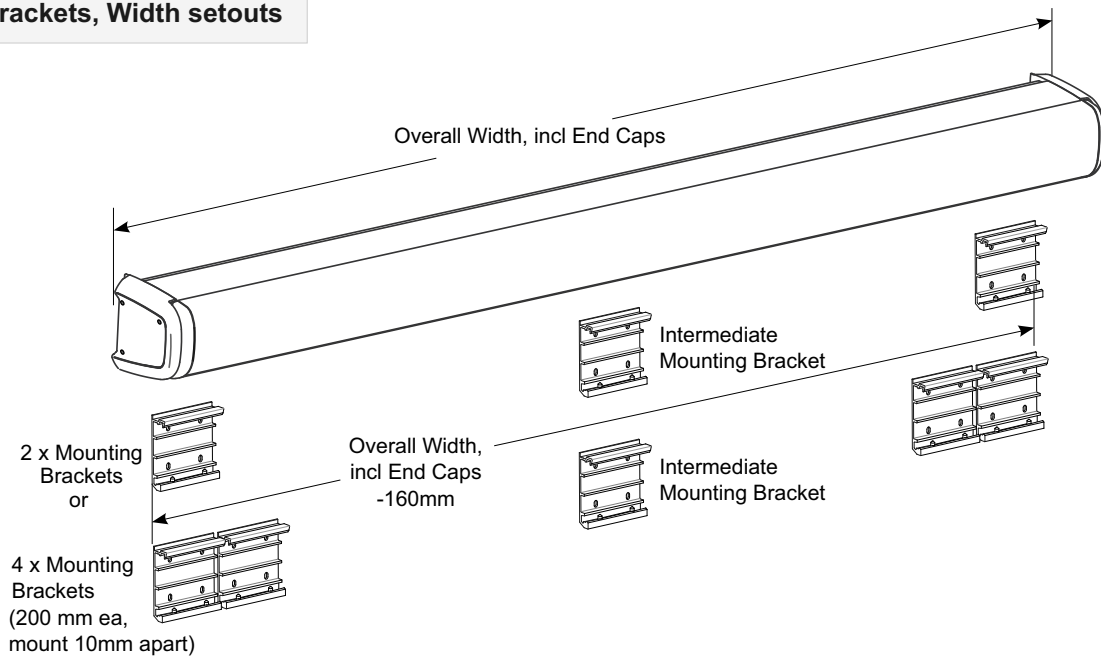
# Juralco Soleia Awning System - Installation - Setouts

## Package

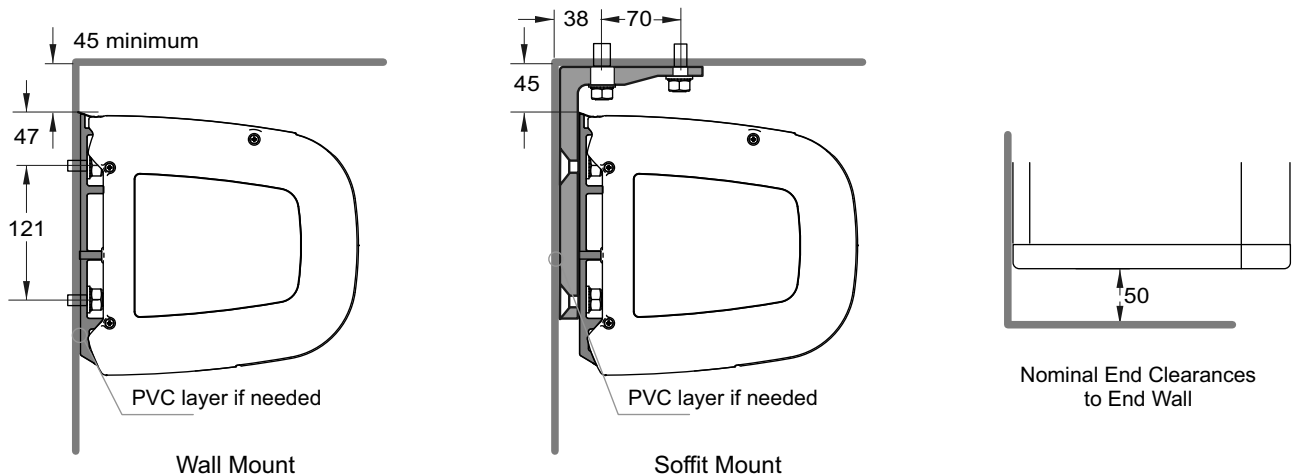
- 1 - Be very careful opening the package.  
It is large and heavy. Best done on a table if possible
- Be careful with knives, not scratch the surface of the awning.



## Attach Brackets, Width setouts



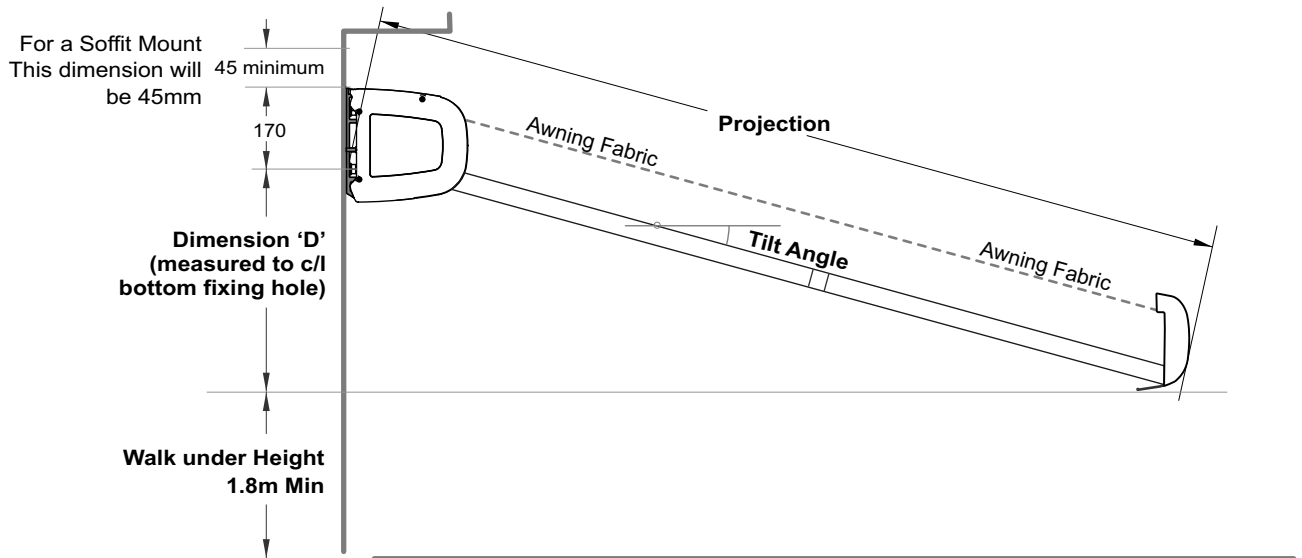
- 1 - Mark out the Mounting bracket mounting holes on the wall or ceiling.
- All holes must have an appropriate fastener. Do not leave any out.
  - Observe the clearances as below
  - There must be a PVC layer between base plate and structure (if not Timber)
  - All fixings must be SS



## Juralco Soleia Awning System - Installation - Setouts

### Mounting Brackets, Height setout

- 1 - The installation height of the awning must allow a passage under the bar, at full extension.  
1800 mm min (2100 recommended).



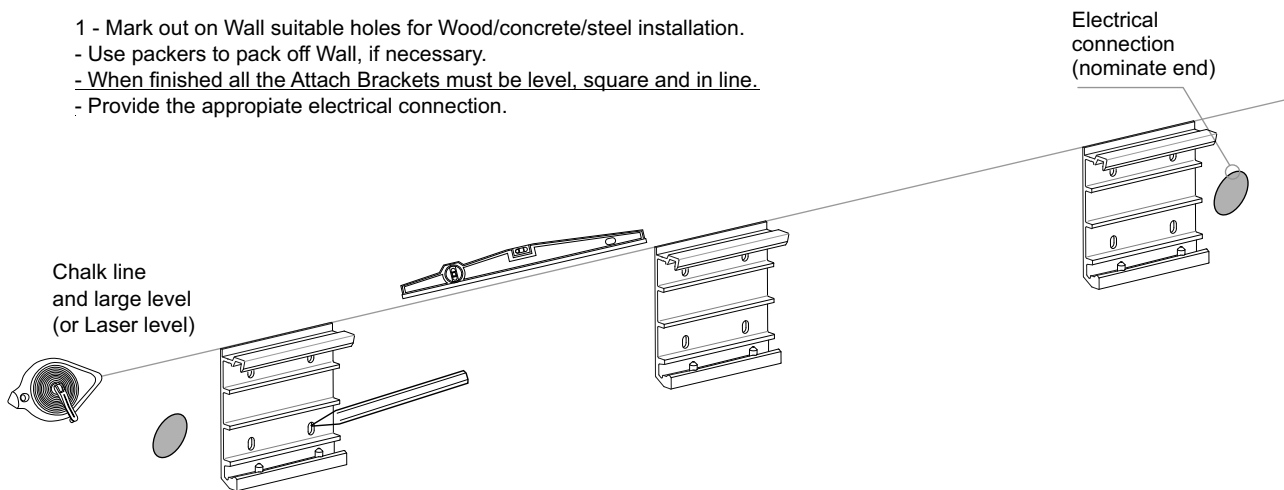
Tables giving a nominal Dimension 'D', from various Projections at various angles

Projection	5 Degree Tilt	10 Degree Tilt	15 Degree Tilt	20 Degree Tilt	25 Degree Tilt
	Dimension 'D' measured to Centre Line Bottom Mounting Hole				
2000	175	350	520	680	840
2500	220	430	650	850	1060
3000	260	520	780	1025	1270
3500	300	610	910	1200	1480
4000	350	700	1040	1350	1690

Add desired Walk under Height to Dimension 'D' to get total Height Floor, to C/l bottom Hole

### Mounting Brackets setouts

- 1 - Mark out on Wall suitable holes for Wood/concrete/steel installation.
- Use packers to pack off Wall, if necessary.
- When finished all the Attach Brackets must be level, square and in line.
- Provide the appropriate electrical connection.



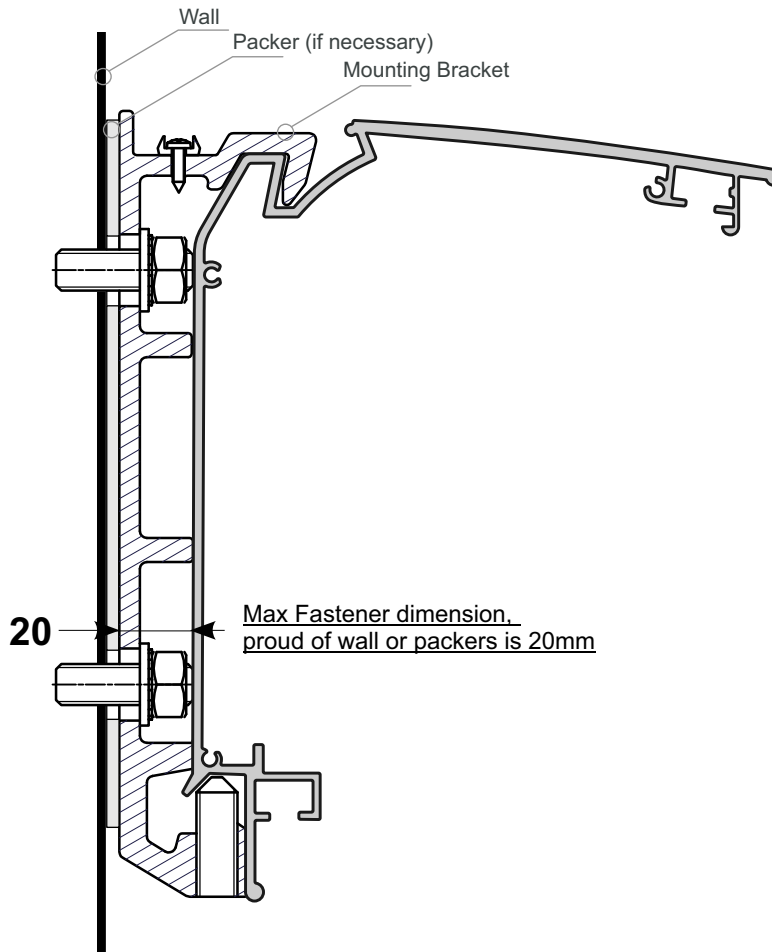
# Juralco Soleia Awning System - Installation

## Attach Bolts, studs

1 - Max Fastener dimension, proud of wall or packers is 20mm

2 - Table of maximum forces applied to **each anchor**: Fc (in daN) (FYI 1daN ≈ 1kg)  
Make sure that the tensile load Fr of the wall meets the condition  $Fr \geq 2 \times Fc$

Force Fc (in daN - dekaNewtons). Awning Face Mount	700
Force Fc (in daN - dekaNewtons). Awning Soffit Fix	800



### Important notes for Fixing to Timber - M12 SS Coachscrews (or M12 SS Bolts)

- 1 - Coachscrews 90mm min engagement into joists
- 2 - Bond all coachscrews with SIKA Supergrip to full depth
- 3 - All fixings must be Stainless steel

### Important notes for fixing to Concrete - M12 SS Studs + Fischer FIS V 300T

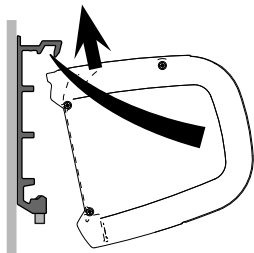
- 1 - All fixings must engage into the structural slab
- 2 - A PVC Tape layer must be installed between the Bracket and Concrete
- 3 - All fixings must be Stainless steel

### Important notes for fixing to Steel - M12 SS Bolts

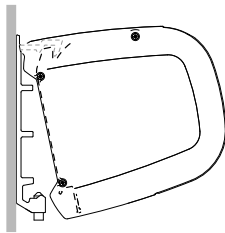
- 1 - A PVC Tape layer must be installed between the Bracket and Steel
- 2 - All fixings must be Stainless steel

# Juralco Soleia Awning System - Installation

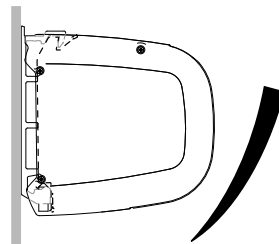
## Mounting to Wall



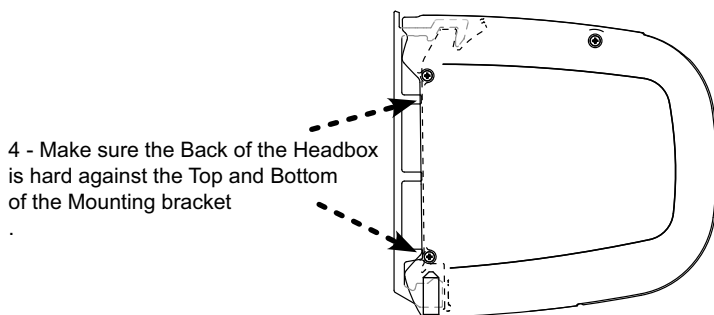
1 - Present your Awning from below the Mounting Brackets.



2 - Engage upper groove in the Wall bracket.  
Fit the Headbox by pressing upwards



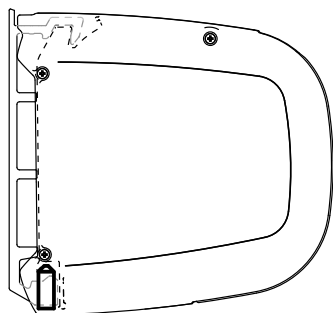
3 - Rotate downwards to clip in at bottom



4 - Make sure the Back of the Headbox is hard against the Top and Bottom of the Mounting bracket

## Attaching to Mounting Brackets

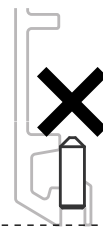
1 - Screw up all 8mm Clamp Screws on all wall brackets..  
When finished the screw should be flush at the base.



6mm Allen Key.



Recommended



Over tightened.

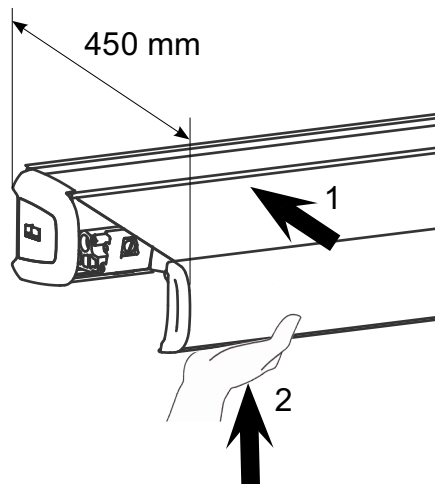


Under tightened.

## Setting the Inclination

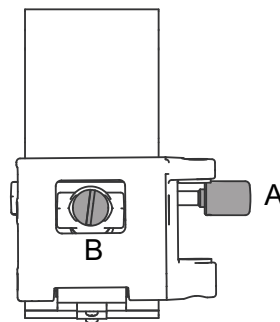
1- Roll the blind up to about 450 mm from the wall, this allows to enter the access Screw A, to release the function and facilitate the tilt adjustment.

2 - Lifting the Front profile allows easier adjustment of the inclination angle



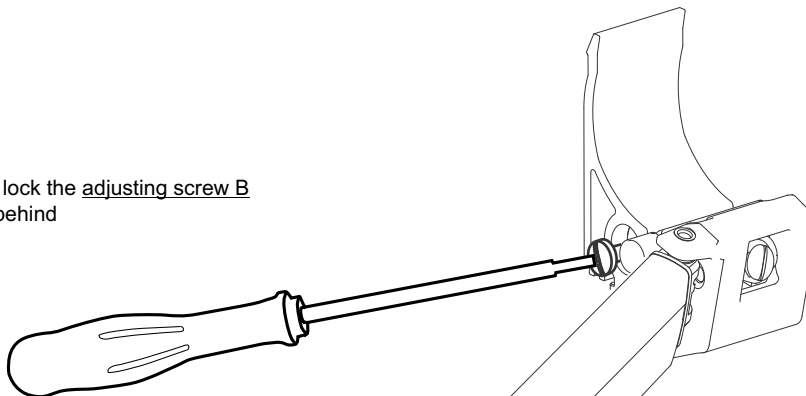
3 - The adjustment is made by acting on the screw B located on the front of the arm support, screw in to raise the Front Profile and unscrew to lower it.

Important : To obtain the same setting for both arms, rotate adjusting screw B all the way in, then unscrew counting the number of turns out. Proceed in the same way with the other arm and check the level. Fine tune the setting if necessary.



4 - Adjust the inclination to suit the walk under height, if necessary. Normal inclinations are 10-20deg. Refer to the Mounting Brackets, Height Setout page.

5 - When you are sure of your setting, lock the adjusting screw B by slightly tightening screw A located behind the arm pivot (see drawing opposite)

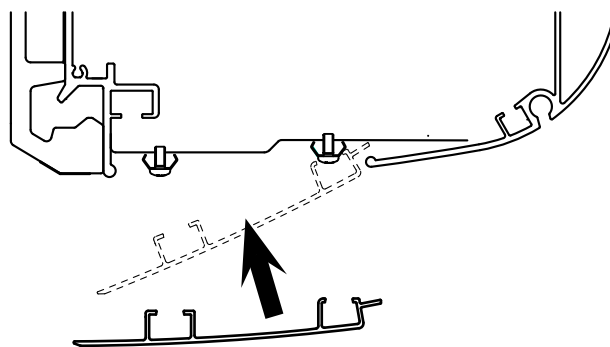




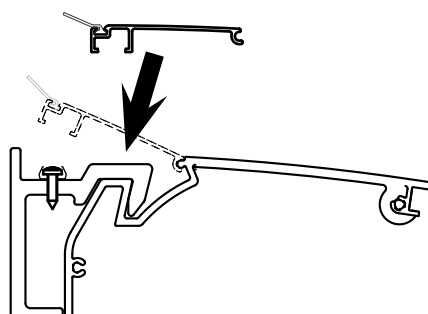
## Juralco Soleia Awning System - Installation - Final

### Final adjustments.

1 - Fix the Headbox Bottom Cover by clipping in at front first then raising and clipping in rear.



2 - Attach supplied clips to the mounting Brackets. Then fix the Headbox Top Cover by clipping in at front first then dropping and clipping in rear.



3 - Open and close the blind a few times to check that it is working properly, and the Inclination and Walk under height is satisfactory.

Customer

Contact

Order No

Date

**WO** Juralco

**SO** Juralco

**\$** Juralco

Select/Enter Dimensions below. Enter details/selections into all boxes. Then scan and send to [sales@juralco.co.nz](mailto:sales@juralco.co.nz)

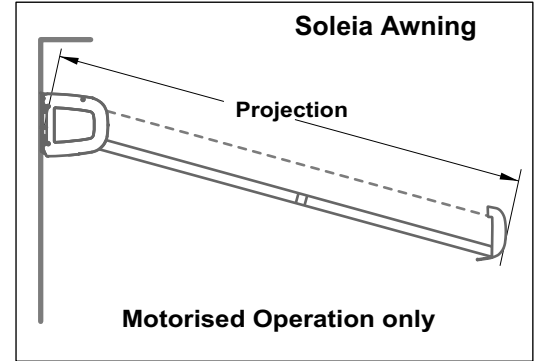
①

### Unsuitable for use in Strong Wind Areas

Select Projection then enter desired Overall Width dimension

Available Projections	Select Projection	Widths Minimum	Enter Overall Width
2000		2400	
2500		3070	
3000		3540	
3500		4030	
4000		4600	

Width Maximums = All 5900mm



②

Select Powder Coat Type and Colour

Duralloy Plus

Duratec

**Specify PC Colour and Code** Note: Arms Silver finish only

③

Select Fabric Type and Colour

Planasol

Dickson

**Specify Fabric Colour and Code**

④

Select Motor connection End, viewed from Front

LH

RH

⑤

Soffit Brackets if needed. JPA/4039297

No

Yes x3

Yes x5

⑥

Volo Wind sensor, if required

No

Yes

⑦

NemoVibe sensor, if required

No

Yes

⑧

Additional Motor Remote Control? BIDI/Awning + Portable controller. Tick to select

P1

P6

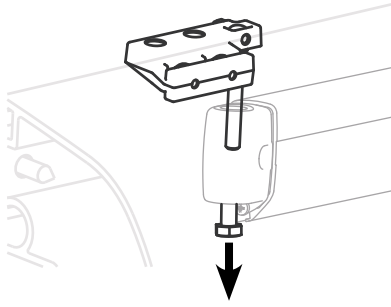
P18

⑨

Notes:

# Juralco Soleia Awning System - FACTORY Assemble

## Remove the Front Profile

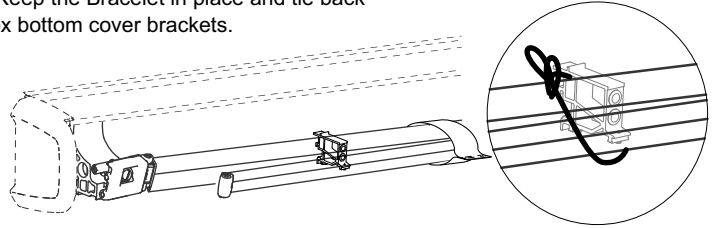


2 - Unscrew to disassemble and disengage the arm and remove the Front Profile.

WARNING :  
Leave Bracelets on the Arms  
to keep them Closed.

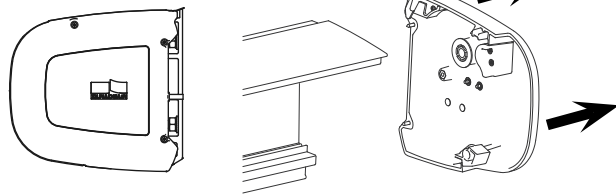


1 - FOLDING ARMS; disengage the front arm from the Front Profile. Keep the Bracelet in place and tie back to the Headbox bottom cover brackets.

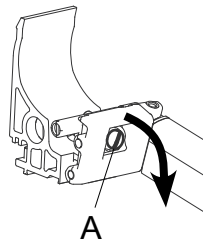


## Mounting the Roller Tube

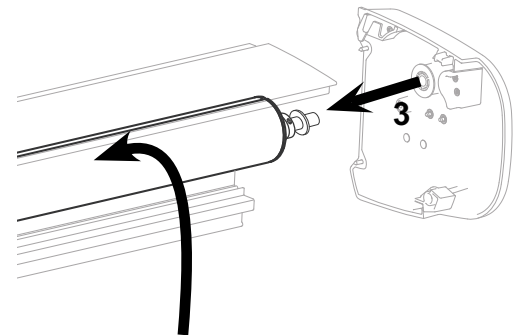
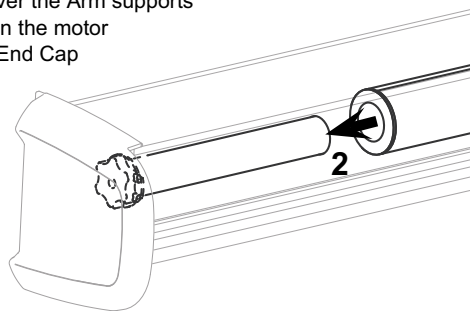
1 - Before mounting the Roller tube in the Headbox remove the End Cap at the the motor end (3 screws)



2 - To mount the Roller tube more easily, rotate the arms forward by unscrewing the screw A



3 - 1 Pass the Roller tube over the Arm supports  
2 Insert the Roller tube on the motor  
3 Replace the Headbox End Cap

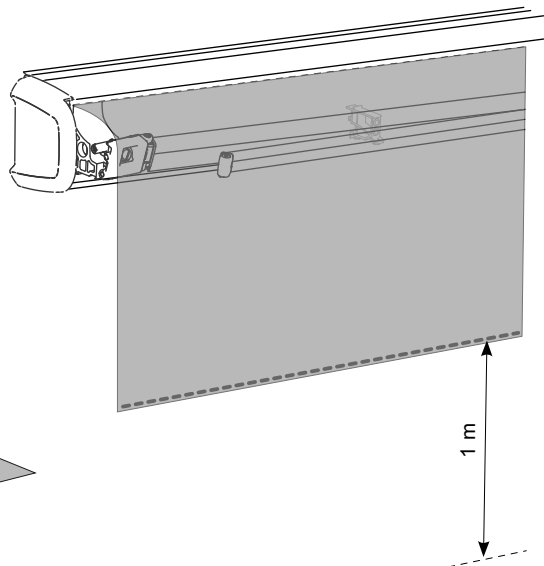


These pages apply to FACTORY Assembly only

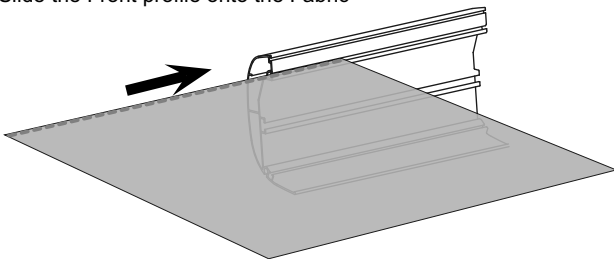
# Juralco Soleia Awning System - FACTORY Assemble

## Assembling Fabric

1 - Roller Tube - Wrap the fabric so that it hangs about 1m from the ground.  
**Important:** Guide the fabric onto the Roller tube so that it stays smooth and does not wrinkle.

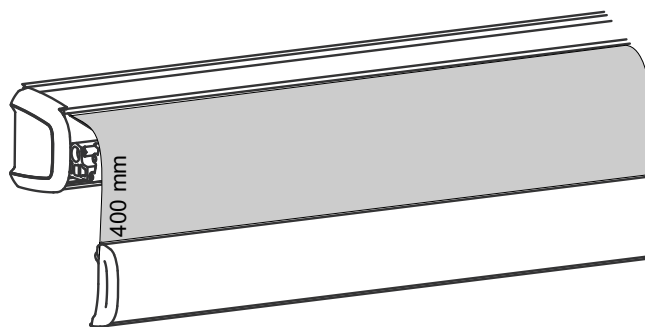


2 - Front Profile - Slide the Front profile onto the Fabric

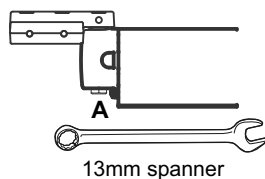
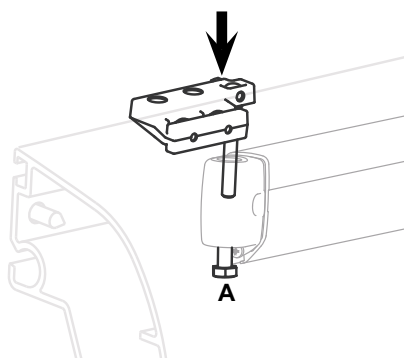


## Arm assembly, to the Front Profile

1 - Leave about 400 mm of fabric hanging free.

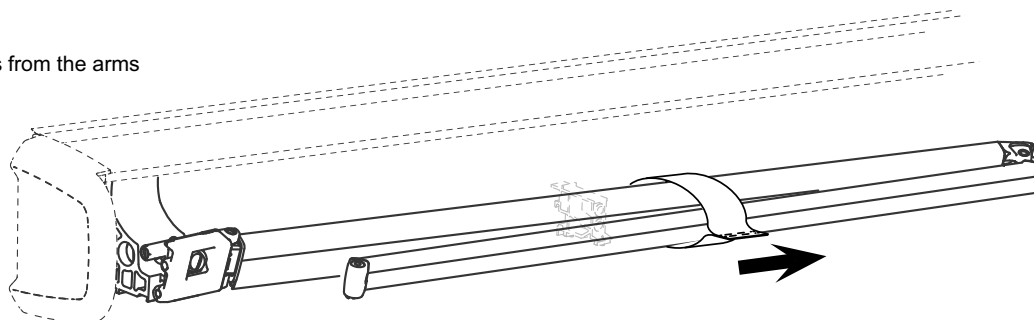


2 - Untie the arms from the Headbox Bottom Cover brackets and reattach the Front Profile to the Arms.



Tighten and lock the screw A

3 - Remove the bracelets from the arms

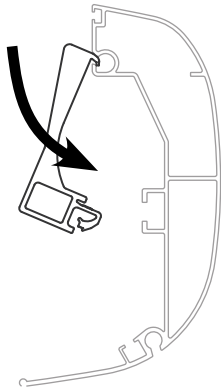
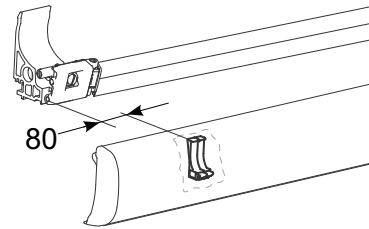


These pages apply to FACTORY Assembly only

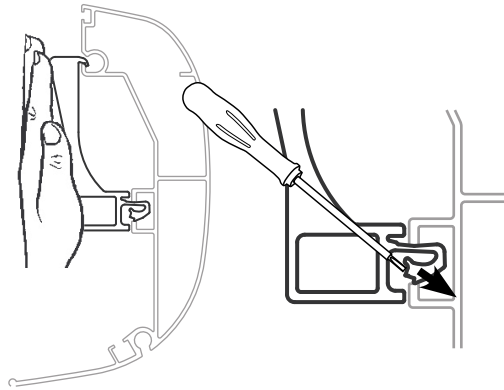
## Juralco Soleia Awning System - FACTORY Assemble

### Installing the Aligning Cams

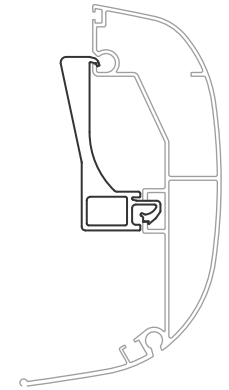
1 - Position the 2 x Aligning cams (supplied as accessories) on the Front Profile. One cam in front of each upper arm joint at 80 mm ± 10 mm from the end of the arm support.



2 - Hang the aligning cam in the upper groove and then rotate it.

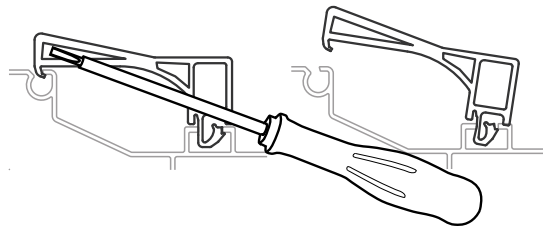


3 - Press the cam with your hand and clip in place using a 6 mm Phillips screwdriver



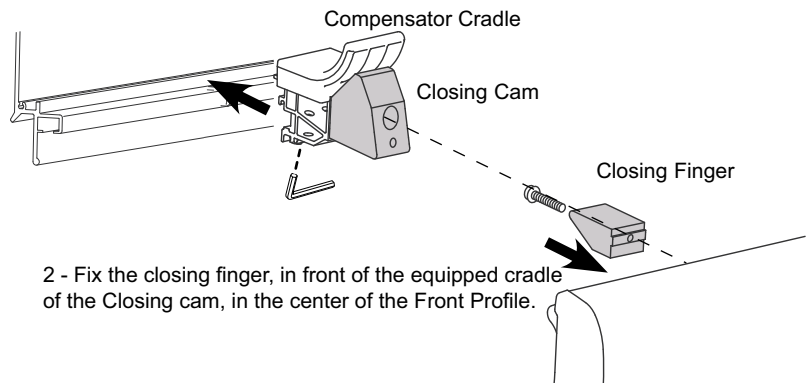
4 - Final position.

To remove or shift the Aligning cam. Lever it off with a screwdriver, taking the cam from the inside (otherwise, risk of scratching the profile).



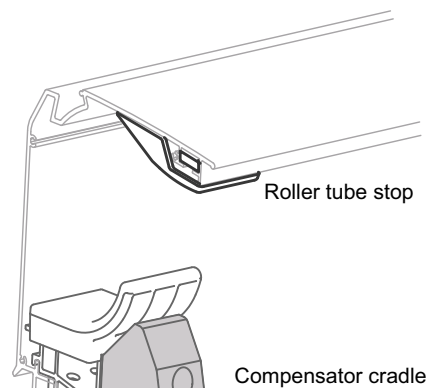
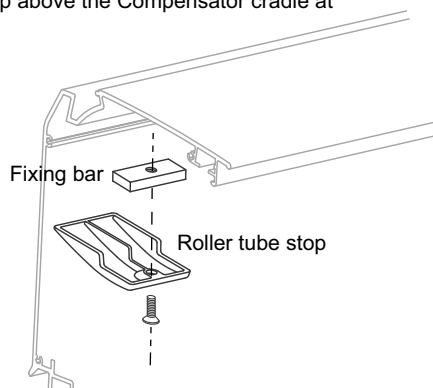
### Installing the Compensator Cradle and Roller Tube stop - only for Widths over 4700mm

1 - Attach the 1 x Compensator cradle and Closing cam to the Headbox Bottom cover bracket. Attach to the Headbox profile at centre.



2 - Fix the closing finger, in front of the equipped cradle of the Closing cam, in the center of the Front Profile.

3 - Using the top groove of the Headbox install 1 x Roller tube stop above the Compensator cradle at the centre.



These pages apply to FACTORY Assembly only

# Juralco Soleia Awning System - Powder Coating Care and Maintenance

## Powder Coating Installation Care

### Warning re use of solvents:

- In some cases strong solvents are recommended for thinning various types of paints and also for cleaning up mastics and sealants.
- These can be harmful to the extended life of the powder coated surface, and must not be used for cleaning purposes.
- It is important to note that the damage will not be visible immediately and may take up to 12 months to develop.

If paint splashes or sealants and mastics need to be removed then the following may be safely used:  
Methylated Spirits, Ethyl Alcohol, Isopropanol or preferably a mild detergent in warm water.

### Joinery Protection during Installation:

All the activity on a construction site means that your powder coated items may get knocked or scratched, splattered with mortar, plaster, textured coating or paint during the later stages of construction.

Please ensure that all powder coated articles are masked or covered at this time. It is far easier to prevent accidents than to try and correct them. Should your joinery receive mortar or paint splashes see that these are removed before cure and follow the instructions contained in this brochure.

Typical sticker used to warn other trades of the need to protect and mask off powder coated joinery (applies to anodised joinery also)

**"IMPORTANT ALL TRADES"**  
This valuable aluminium joinery will suffer permanent damage from: plaster, mortar and paint splashes - Protect if splashes occur - Immediately wash down joinery with water or meths - Do not allow splashes to harden! - Do not use solvents! - Do not remove this label until final clean completed.

This photograph display damage that has occurred on site, post installation. The photo of the masked joinery displays clear signs of damage that could have occurred were it not masked. Please ensure that your joinery is protected right through the entire construction process.



## Powder Coating Maintenance

### External - Maintenance Program:

To extend the life of external powder coated articles and to comply with warranty requirements for powder coated aluminium joinery, a simple, regular maintenance program must be implemented.

The effects of ultra violet light, atmospheric pollution, dirt, grime and airborne salt deposits will all accumulate over time and must be removed or surface staining and weathering will occur, leading to an unsightly appearance.

For external coatings, cleaning should take place every six months. In areas where pollutants are more prevalent, such as beachfront houses and industrial or geothermal areas, then a cleaning program should be carried out on a more frequent basis ie. every one to three months.

### Cleaning your powder coating:

1. Carefully remove any loose surface deposits with a wet sponge.
2. Use a soft brush (non abrasive) and a mild household detergent (do not use solvents) in warm water, remove dust, salt and other deposits.
3. Rinse off with clean fresh water.



### Restoring weathered or scratched surfaces:

Repair of Scuffed or Scratched surfaces  
Dulux Spray Cans are available in all colour card colours.

Repair of Small Scratches or Chips.  
Dulux Dabsticks are ideally suited for the repair of small scratches.  
Dabsticks may not be available in all colour card colours.

Repair of Weathered areas .  
Dulux Gloss Up is a light to medium cutting cream ideally suited for gloss restoration and has been specifically designed for this purpose.  
Gloss Up contains no waxes or silicone and is a one step system.



Contact Dulux Powder Coatings , ph 0064 9 441 8244

All pages © Copyright Juralco Aluminium Building Products Ltd, 2023