



JURALCO RETRACTABLE ROLLER 36 - 46 SCREEN SYSTEMS

ISSUE 3-24 v1

Juralco 36 - 46 Retractable Roller Insect Screen Systems

Juralco Aluminium Building Products Ltd designs and distributes specialist aluminium joinery systems through a national network of franchised fabricators and agents. For more than 25 years we have been at the forefront of specialist aluminium door and window products suitable for New Zealand joinery and building methods. Our comprehensive product range includes security and insect screens, balustrades and gates, shutters and awnings, shower screens, wardrobe doors and organisers and internal doors.

Juralco retractable insect screens can be fitted to most types of residential window and door joinery including - hinged, sliding, french and bifold doors to prevent entry of insects. These Sheer screens are normally located at the top of windows or at the side of doors and have low profile tracks to guide and retain the mesh. Features such as an anti-wind mohair in the guides to retain the screen in windy conditions and a viscodynamic brake to allow for the slow recoil of the screen, make the Juralco retractable insect screens the ultimate in insect screening solutions. Custom made in a variety of powder-coat colours.

Shown below are some typical Retractable Insect Screen solutions for this family house .



Juralco 36 - 46 Retractable Roller Insect Screen Systems

Pages	Codes	Description
4 - 6	General	Showing various configurations for Systems 36 and 46.
7 - 9	Materials	System 36 Extrusions and Components
10 - 12	Installation	System 36 Cutting and Installation instructions
13 - 15	Materials	System 46 Extrusions and Components
16 - 18	Installation	System 46 Cutting and Installation instructions
19	Installation	Install as sliding Door
20	Installation	Troubleshooting
21- 23	Order Forms	Juralco Order Form - 36 and 46 Windows, Single Doors and Twin Doors
24- 27	Installation	Shows Adjusting, replacing Window screens
28	Care	Care of Powder coated Surfaces

Important information - Powder Coating systems.

Powdercoat Systems The new standard Dulux powder coating system used by Juralco is Duralloy Plus®. Also Duralloy® and Duratec®. Juralco Powder coated prices are for Duralloy Plus® and Duralloy® (same pricing). Duratec® prices on application. The following specs apply to Building Exteriors.

- Dulux Duralloy Plus® powder coating systems are suitable for properties greater than 10m from high tide level. Residential and Light commercial buildings, 3 levels max. Warranty 15 yrs
- Dulux Duratec® powder coating systems are suitable for properties greater than 10m from high tide level. All Residential and Commercial buildings. Warranty 25 yrs.

Attachment to structures A PVC Tape or similar material spacer must be used to separate powder coated aluminium items from all concrete and steel structures. Failure to do so can lead to the chemicals in the structure affecting the powder coating, leading to corrosion.

Swimming Pools The chlorinated water in swimming pools can cause the deterioration of powder coated surfaces, leading to corrosion of the underlying surface. It is recommended that Powder coated surfaces be 1200mm min from a pool.

Care The Dulux powder coating warranty period is conditional upon the surface being maintained in accordance with the Dulux 'Care and Maintenance Instructions'. Download from Dulux or refer to the back page of this manual.

Juralco 36 - 46 Retractable Roller Insect Screens - Overall Description

Juralco Roller Insect Screens are made from fine extruded aluminium profiles combined with durable nylon accessories and a high quality weatherproof fibreglass mesh. Every roller system comes standard with a Brake for use in both vertical and horizontal applications.

All the systems have their own distinctive cassette style and combine with a number of interchangeable profiles to create a unique series of retractable screening solutions.

Guide profiles feature pre-inserted anti static brushpile and the cassette is pre-assembled and complete with mesh fixed to a centre tube and sliding bar.

Juralco Roller Insect Screen systems are able to be installed on windows and doors, either inside the opening or front fixed, and the appropriate accessory kits include all the components necessary for the different mounting options.

System 36 is the lighter system of the two and is generally recommended for domestic situations while the System 46 is available for larger openings and commercial applications.

System 36 and 46 are available in three configurations.

For Inset (Reveal) or Face fixing.

- 1 - Vertical spring loaded (Roller at top)
- 2 - Horizontal Single Door (Roller at side)
- 3 - Horizontal Twin Door (Rollers at side)

System 46, Vertical spring loaded (Roller at top) is also available with a chain operation .

Finishes, Powder coated to Order

Please note, these are not safety rated, and are designed to act as insect screens only.



New (2022)
Window pull down
Bottom Extrusion

A typical window installation involves mounting the screen housing in the recesses of the window using the inset mounting clips provided. Typically this results in the screen simply resting within the natural profile of the window frame where it is non-invasive and unnoticed.

Window pull down



Window open for ventilation,
screen down to stop insects.



Window open for ventilation,
screen fully up.



Window open for ventilation,
screen providing shading.



Window closed,
screen providing shading.



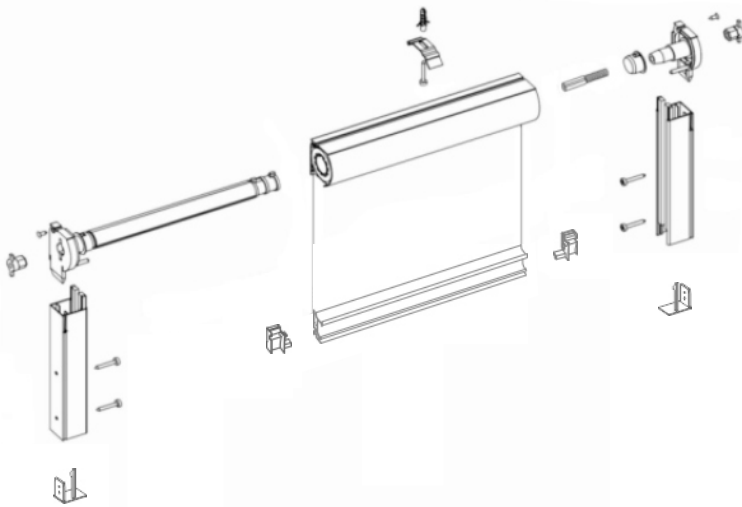
Twin Horizontal Retractable Screens on a Double Door

Juralco Retractable Roller Insect Screens - System 36

36 Window, Pull down
Spring Loaded
Reveal fixing shown

Fixing
For Inset or Face Fixing

Mesh
Normally supplied with a 18 x 16
Charcoal fibreglass mesh.



system 36

Vertical Windows.

36 Kit Roller Insect Screen Pull Down Units

Min Width 500mm. Max Width 1450mm
Min Height 500mm. Max Height 1450mm

Horizontal Single Doors.

36 Kit Roller Insect Screen Pull Across Units

Min Width 500mm. Max Width 1450mm
Min Height 1000mm. Max Height 2400mm

Horizontal Twin Doors.

36 Kit Roller Insect Screen Pull Across Units

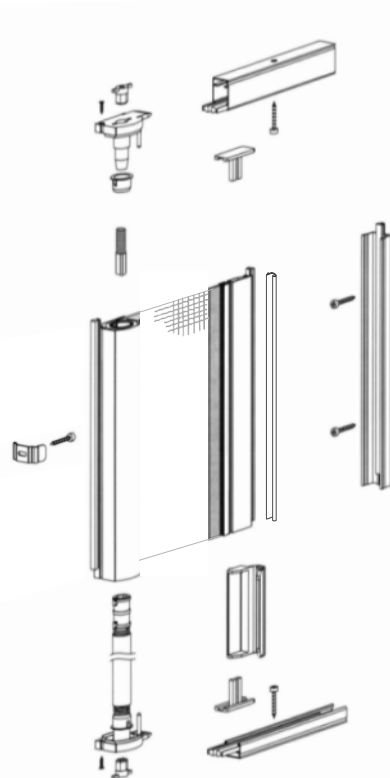
Min Width 1000mm. Max Width 2900mm
Min Height 1000mm. Max Height 2400mm

36 Single Door, Pull across
Spring Loaded
Reveal fixing shown

Fixing
For Inset or Face Fixing

Handles
Plastic pull standard or
Full length extrusion.
Single or both sides

Mesh
Normally supplied with a 18 x 16
Charcoal fibreglass mesh.



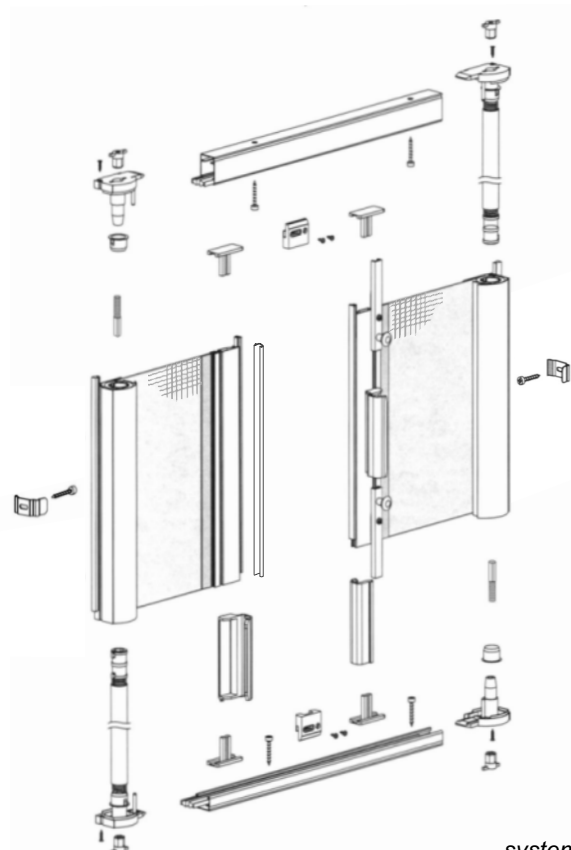
system 36

36 Twin Door, Pull across
Spring Loaded
Reveal fixing shown

Fixing
For Inset or Face Fixing

Handles
Plastic pull standard or
Full length extrusion.
Single or both sides

Mesh
Normally supplied with a 18 x 16
Charcoal fibreglass mesh.



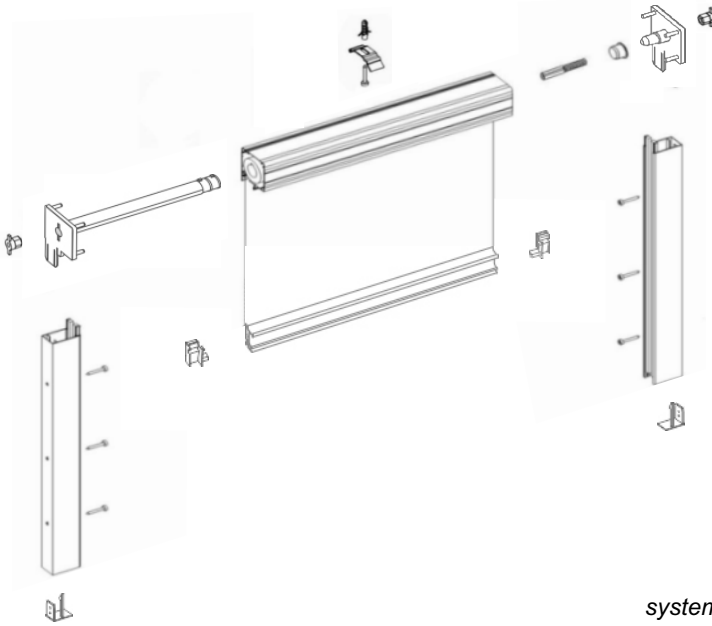
system 36

Juralco 36 - 46 Retractable Roller Insect Screens - System 46

46 Window, Pull down
Spring Loaded
Reveal fixing shown

Fixing
For Inset or Face Fixing

Mesh
Normally supplied with a 18 x 16
Charcoal fibreglass mesh.



system 46

Vertical Windows.

46 Kit Roller Insect Screen Pull Down Units

Min Width 500mm. Max Width 1800mm
Min Height 500mm. Max Height 2600mm

Horizontal Single Doors.

46 Kit Roller Insect Screen Pull Across Units

Min Width 500mm. Max Width 1700mm
Min Height 1000mm. Max Height 2400mm

Horizontal Twin Doors.

46 Kit Roller Insect Screen Pull Across Units

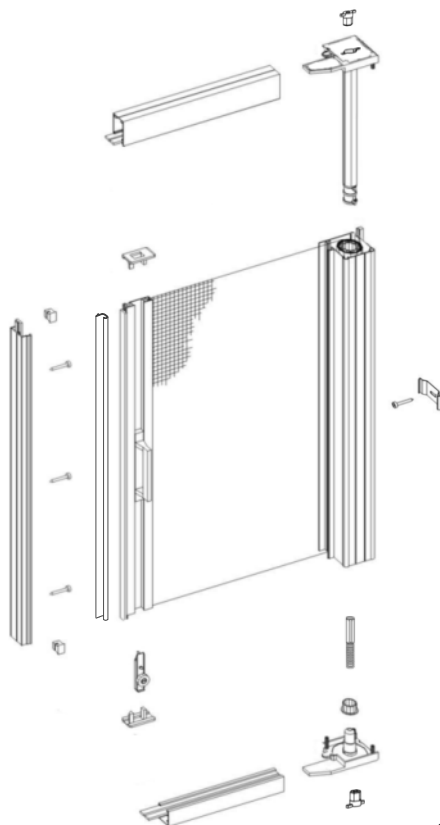
Min Width 1000mm. Max Width 3400mm
Min Height 1000mm. Max Height 2400mm

46 Single Door, Pull across
Spring Loaded
Reveal fixing shown

Fixing
For Inset or Face Fixing

Handles
Plastic pull standard or
Full length extrusion.
Single or both sides

Mesh
Normally supplied with a 18 x 16
Charcoal fibreglass mesh.



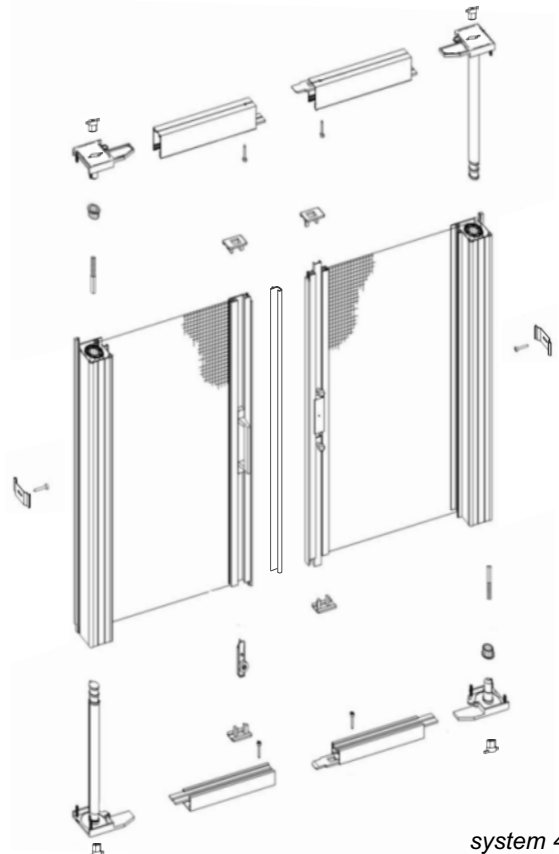
system 46

46 Twin Door, Pull across
Spring Loaded
Reveal fixing shown

Fixing
For Inset or Face Fixing

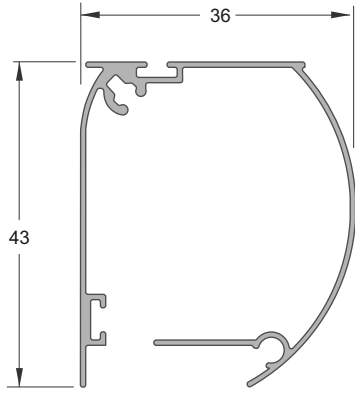
Handles
Plastic pull standard or
Full length extrusion.
Single or both sides

Mesh
Normally supplied with a 18 x 16
Charcoal fibreglass mesh.

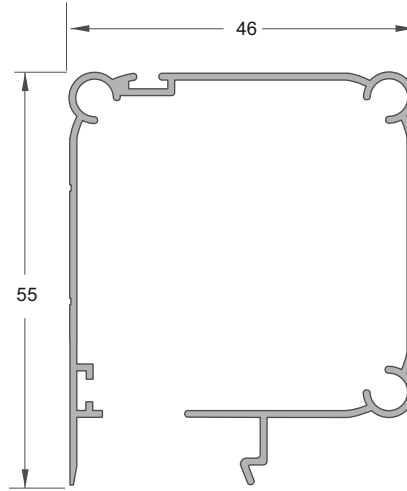


system 46

Juralco Retractable Roller Insect Screens - System 36 - Extrusions

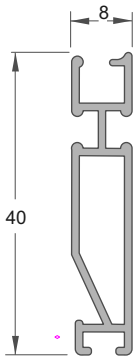


CASSETTE BOX 36mm
JRF90/36



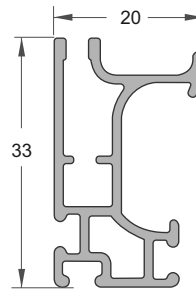
CASSETTE BOX 46mm
JRF90/46

DOOR or WINDOW



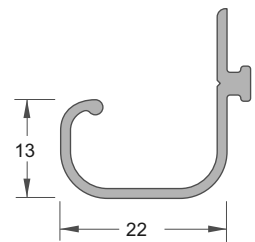
SLIDING BAR
JRF97
(Single, Double Door.
Window, but only if matching existing)

WINDOW only

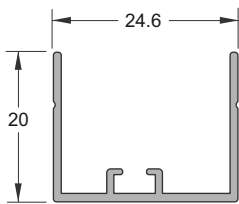


PRO SLIDING BAR
JRF85
(Windows only)

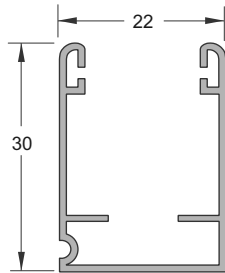
DOOR only



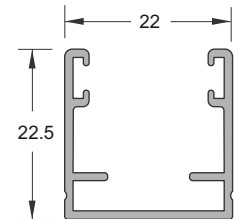
HANDLE/ STIFFENER
JRF131/22
(Doors only)



CLOSING CHANNEL
JRF96
(Single Door only or
optional on Window)



SIDE /TOP GUIDE 30x22
JRF86
(Single, Double Door
and Window)

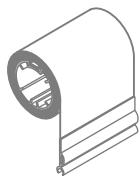


BOTTOM GUIDE 22x22
JRF94
(Doors only)

system 36

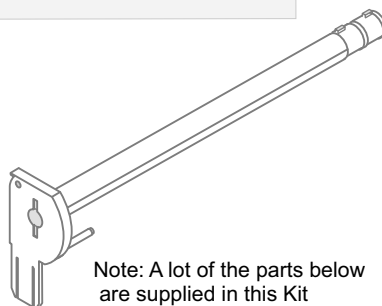
Juralco Retractable Roller Insect Screens - System 36 - Components

36 Cassette and Mesh
18 x 16 Charcoal x 4.8m long



JRF91/36 1500mm height (Pull down window)
1500mm width (Pull across door)

Parts



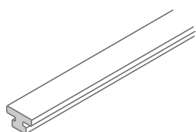
Parts for Windows 36
JRF107/36 Black Width up to 800mm
JRF106/36 Black Width over to 800mm

Parts for Single Door 36
JRF105/36 Black

Parts for Twin Doors 36
JRF108/36 Black

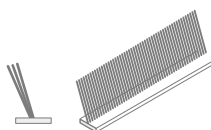
Note: A lot of the parts below
are supplied in this Kit

Magnetic Strip
Black, 100mt Rolls



Magnetic Strip,
Positive JRF93 Pos
Magnetic Strip,
Negative JRF93 Neg

Rollerfly Anti Wind Wool Pile
JRF98/AW 11mm

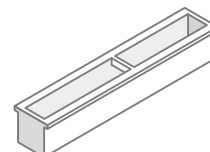


Rollerfly Wool Pile 10mm
Rollerfly Wool Pile 13mm



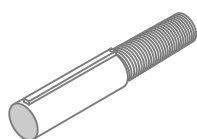
10mm - JRF 98/10mm
13mm - JRF 98/13mm

Wool Pile Opener
Part No JRF112



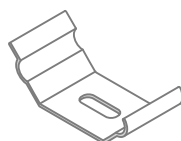
Colour - Black only

Spring Brake,



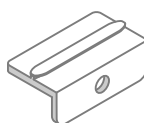
JRF109/Blue - Windows
JRF109/Green - Doors

Inset Fix Bracket - 36
JRF119



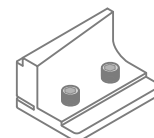
Colour - Black only

Face Fix Bracket
JRF120



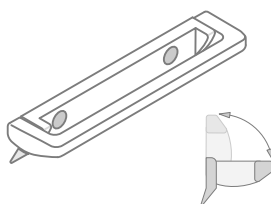
Colour - Black only

Intermediate Stop (LH +RH)
JRF110



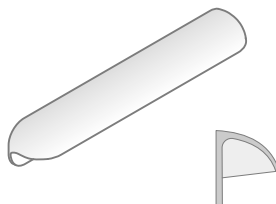
Colour - Black only

Handle, Folding
JRF124



Colour - Black only

Handle
JRF111



Colour - Black only

Acorn Set
JRF128



Colour - Black only

Juralco Retractable Roller Insect Screens - System 36 - Components

End Cap Bush
JRF113

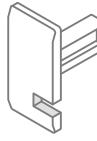


Spring Lock
JRF118



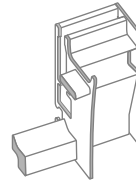
Colour - Black only

Sliding Bar End Cap
for Doors
JRF 126



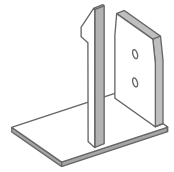
RH + LH set
Colour - Black only

Pro Sliding Bar End Cap
for Windows
JRF185



RH + LH set
Colour - Black only

Window Internal Lock
JRF132



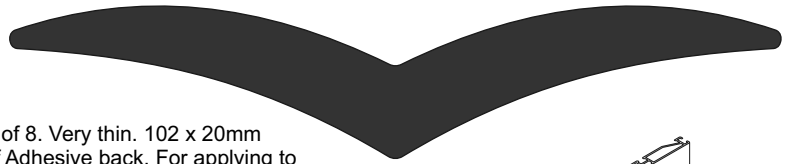
RH + LH set
Colour - Black only

Sliding Bolts and Retainers
for Doors
JRFJ129



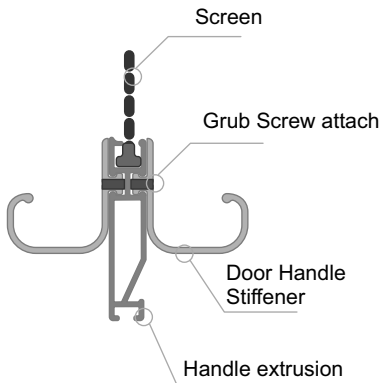
Paired set
Colour - Black only

Screen Transfer
JRF125/8

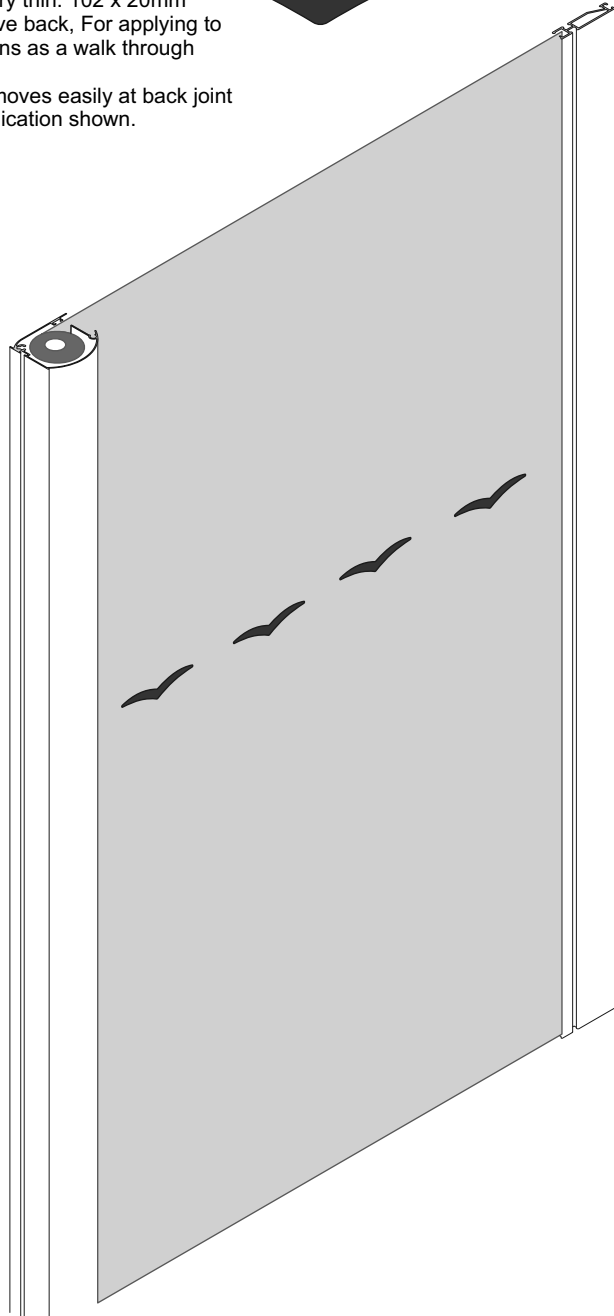


Set of 8. Very thin. 102 x 20mm
Self Adhesive back, For applying to
Door screens as a walk through
prevention.
Backing removes easily at back joint
Typical application shown.

Handle Extrusion with
Optional Door Handle/Stiffener.
3 x M3 Grub screws (per side)



Can be installed both sides (as shown)
or one side only

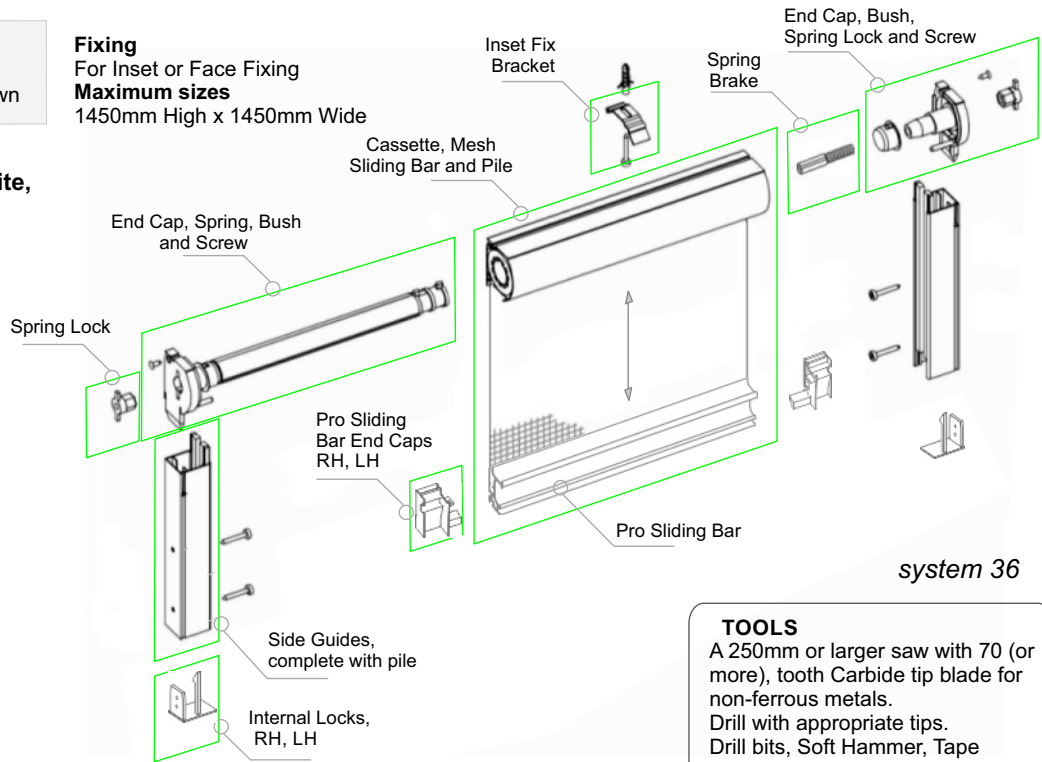


Juralco Retractable Roller Insect Screens - System 36 - Cutting and Installation

System 36
Window, Pull down
Spring Loaded, Inset fixing shown

Fixing
For Inset or Face Fixing
Maximum sizes
1450mm High x 1450mm Wide

Note: Prior to delivering to site, unpack and check all items



Spring Tension Guide

36 Pull Down Window	
Height mm	Spring
600	8 to 10 Turns
800	13 to 15 Turns
1000	14 to 16 Turns
1200	15 to 17 Turns
1400	17 to 18 Turns
1450	18 to 19 Turns

TOOLS
A 250mm or larger saw with 70 (or more), tooth Carbide tip blade for non-ferrous metals.
Drill with appropriate tips.
Drill bits, Soft Hammer, Tape Measure, Needle Nosed Pliers, Pencil, Utility Knife

Inset (Reveal) Installation Guide

A typical installation involves mounting the screen housing in the recesses of the window using the inset mounting clip(s) provided. Typically this results in the screen housing simply resting within the natural profile of the window frame where it is non-invasive and virtually unnoticed.

Measuring:

Measure in 3 places, horizontally and vertically, use the smallest.

Pro Sliding Bar Width _____ (Deduct 67mm before cutting = space for End Caps x 2)

Cassette Width: _____ (Deduct 19mm before cutting = space for 2 x End Caps)

Side Guides Height: _____ (Deduct 46mm before cutting = space for Cassette)

Cutting:

Cassette - Once you have determined the location for the retractable screen housing and the sizes needed, place the cassette on your table and carefully unwrap. Mark the exact dimension of your cut. Grasp the unit with one hand and hold it firmly while you cut the housing. Always cut the housing so that the saw blade rotates in a direction that will tighten the screen mesh in the housing rather than potentially unwinding the mesh causing a ragged cut on the screen mesh. After making the cut hold upright to tap any metal shavings out. Then insert a Bush PN RF 113 at ea end.

Sliding Bar - cut to same width as Cassette. Attach to Mesh. Insert Pile, attach Handle/ Acorn and Ends.

Side Guides - mark and cut to above. Drill attach holes 5mm dia. Insert pile (crimp to retain) and Internal Locks.

Assembly:

Place the cassette on the table, open the accessory kit and take out the Spring contents for assembly. Partly insert the spring assembly in the end as shown above. Turn the end cap clockwise to adjust the spring tension as per table. When finished insert the Spring Lock (PN RF 118), then fully insert the whole assembly and screw attach. The Spring Turn table is a guide only - adjust to suit. Out of square openings, wind, debris and the spring brake can affect the speed of retraction.

At the other end, assemble the End Cap, End Cap Bush, Spring Brake and Spring Lock. Insert, screw attach.

Installation:

Inset mounting Clips - Fasten the inset mounting clip to the window frame using screws (smaller side of clip to the inside)

Set the cassette in place and rotate/snap into clips.

Side rails - Insert both side rails onto protruding edge of cassette end caps (decorative groove to inside). Align rails plum and parallel into final position on window and fasten to the window frame using screws (use Pile Opener PN RF 112).

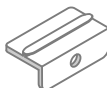
Operation:

During use the internal lock mechanism will automatically catch once the retractable screen is fully extended. To retract the screen simply grasp the sliding rail handle and provide a slight twisting action. Rotation of the sliding rail is all that is needed to disengage the internal lock and retract the retractable screen.

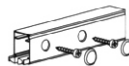
Check all operations are smooth, remove and adjust if necessary. Clean all fingermarks. Leave area clean and tidy.

Face Fix Installation

All the same as above, but use the slide in Face Fit Brackets PN RF 120 for Cassette location.



Front Fix Top Guide
Screw head visible



Front Fix Top Guide
Screw and Cap



Front Fix Bottom Guide
Screw head visible



Front Fix Side Cassette

Juralco Retractable Roller Insect Screens - System 36 - Cutting and Installation

System 36
Single Door, Pull across
Spring Loaded, Inset fixing shown

Fixing
For Inset or Face Fixing
Maximum sizes
2400mm High x 1450m Wide

Optional Door Handle/Stiffener RF 131
Single or both sides

Note: Prior to delivering to site, unpack and check all items

Inset (Reveal) Installation Guide

A typical installation involves mounting the screen housing in the recesses of the door using the inset mounting clip(s) provided. Typically this results in the screen housing simply resting within the natural profile of the door frame where it is non-invasive and virtually unnoticed.

Measuring:

Measure in 3 places, horizontally and vertically, use the smallest.

Cassette Height: _____
(Deduct 19mm before cutting = space for 2 x End Caps)

Closing Channel Height: _____
= Opening Height

Top, Bottom Guide Rail Width: _____
(Deduct 52mm before cutting = Cassette, with clips)
(Deduct 49mm before cutting = Cassette, no clips)

Cutting:

Cassette - Once you have determined the location for the retractable screen housing and the sizes needed, place the cassette on your table and carefully unwrap. Mark the exact dimension of your cut. Grasp the unit with one hand and hold it firmly while you cut the housing. Always cut the housing so that the saw blade rotates in a direction that will tighten the screen mesh in the housing rather than potentially unwinding the mesh causing a ragged cut on the screen mesh. After making the cut hold upright to tap any metal shavings out. Then insert a Bush PN RF 113 at ea end.

Sliding Bar - cut to same height as Cassette. Attach to Mesh. Insert Pile, attach Handle, Magnetic Strip and Ends.

Closing Channel - mark and cut to above. Drill attach holes 5mm dia. Insert magnetic strip (crimp to retain).

Top, Bottom Guides - mark and cut to above. Drill attach holes 5mm dia. Insert pile (crimp to retain) .

Assembly:

Place the cassette on the table, open the accessory kit and take out the Spring contents for assembly. Partly insert the spring assembly in the end as shown above. Turn the end cap clockwise to adjust the spring tension as per table. When finished insert the Spring Lock (PN RF 118), then fully insert the whole assembly and screw attach.

The Spring Turn table is a guide only - adjust to suit. Out of square openings, wind, debris and the spring brake can affect the speed of retraction.

At the other end, assemble the End Cap, End Cap Bush,, Spring Brake and Spring Lock. Insert, screw attach.

Installation:

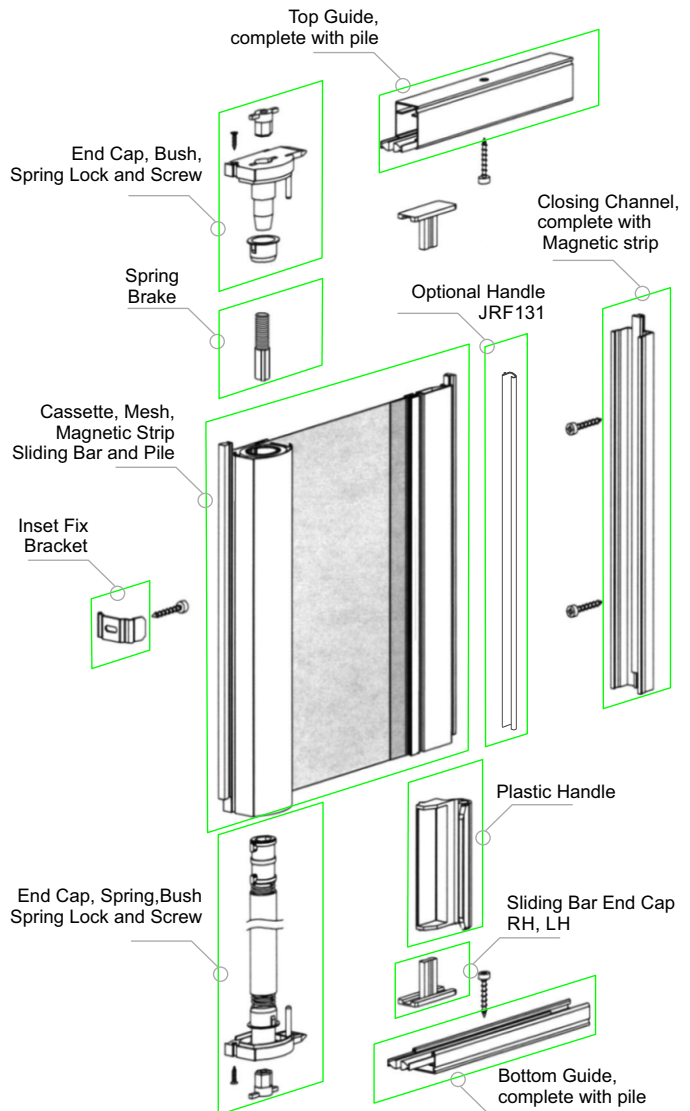
Inset mounting Clips - Fasten the inset mounting clip to the vertical door frame using screws (smaller side of clip to the inside)

Set the cassette in place and rotate/snap into clips.

Top, Bottom Rails - Insert both rails onto protruding edge of cassette end caps (decorative groove to front). Align rails square and parallel into final position on the door frame and fasten using screws (use Pile Opener PN RF 112).

Operation:

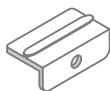
Check all operations are smooth, remove and adjust if necessary. Clean all fingermarks. Leave area clean and tidy.



system 36

Face Fix Installation

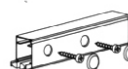
All the same as above, but use the slide in Face Fit Brackets PN RF 120 for Cassette location.



Front Fix Top Guide
Screw head visible



Front Fix Bottom Guide
Screw head visible



Front Fix Top Guide
Screw and Cap



Front Fix Side Cassette

Spring Tension Guide

36 Door	
Height mm	Spring, incl Brake
2000 - 2300	14 to 18 Turns
2300 - 2400	18 to 22 Turns

TOOLS

A 250mm or larger saw with 70 (or more) tooth Carbide tip blade for non-ferrous metals. Drill with appropriate tips. Drill bits, Soft Hammer, Tape Measure, Needle Nosed Pliers, Pencil, Utility Knife

Juralco Retractable Roller Insect Screens - System 36 - Cutting and Installation

System 36
Twin Door, Pull across
Spring Loaded, Inset fixing shown

Fixing
For Inset or Face Fixing
Maximum sizes
2400mm High x 2900mm Wide

Optional Door Handle/Stiffener RF 131
Single or both sides

Note: Prior to delivering to site, unpack and check all items

Inset (Reveal) Installation Guide

A typical installation involves mounting the screen housing in the recesses of the door using the inset mounting clip(s) provided. Typically this results in the screen housing simply resting within the natural profile of the door frame where it is non-invasive and virtually unnoticed.

Measuring:

Measure in 3 places, horizontally and vertically, use the smallest.

Cassette Height:

(Deduct 19mm before cutting = space for 2 x End Caps)

Top, Bottom Guide Rail Width:

(Deduct 86mm before cutting = Cassette, with clips)
(Deduct 80mm before cutting = Cassette, no clips)

Cutting:

Cassette - Once you have determined the location for the retractable screen housing and the sizes needed, place the cassette on your table and carefully unwrap. Mark the exact dimension of your cut. Grasp the unit with one hand and hold it firmly while you cut the housing. Always cut the housing so that the saw blade rotates in a direction that will tighten the screen mesh in the housing rather than potentially unwinding the mesh causing a ragged cut on the screen mesh. After making the cut hold upright to tap any metal shavings out. Then insert a Bush PN RF 113 at ea end.

Sliding Bar - cut to same height as Cassette. Attach to Mesh. Insert Pile, attach Handle, Magnetic Strip and Ends.

Top, Bottom Guides - mark and cut to above. Drill attach holes 5mm dia. Insert pile (crimp to retain).

Assembly:

Place the cassette on the table, open the accessory kit and take out the Spring contents for assembly. Partly insert the spring assembly in the end as shown above. Turn the end cap clockwise to adjust the spring tension as per table. When finished insert the Spring Lock (PN RF 118), then fully insert the whole assembly and screw attach. The Spring Turn table is a guide only - adjust to suit. Out of square openings, wind, debris and the spring brake can affect the speed of retraction.

At the other end, assemble the End Cap, End Cap Bush,, Spring Brake and Spring Lock. Insert, screw attach.

Installation:

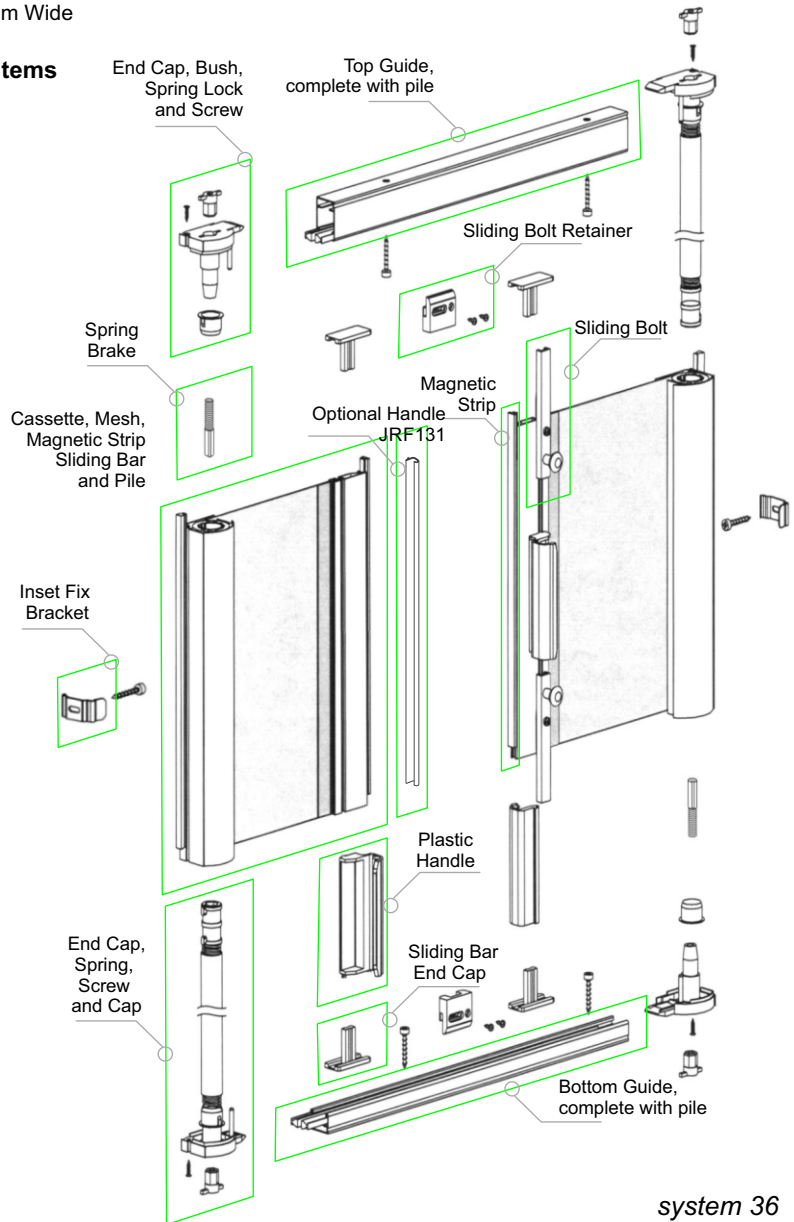
Inset mounting Clips - Fasten the inset mounting clip to the vertical door frame using screws (smaller side of clip to the inside)
Set the cassette in place and rotate/snap into clips.

Top, Bottom Rails - Insert both rails onto protruding edge of cassette end caps(decorative groove to front). Align rails square and parallel into final position on the door frame and fasten using screws (use Pile Opener PN RF 112)

Lock Bolt - On the Passive Door (ie normally closed) attach Slide Bolts top and bottom. Drill 2.5mm holes in Top and Bottom Rails and attach the Slide Bolt retainers.

Operation:

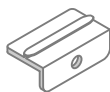
Check all operations are smooth, remove and adjust if necessary. Clean all fingermarks. Leave area clean and tidy.



system 36

Face Fix Installation

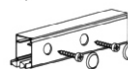
All the same as above, but use the slide in Face Fit Brackets PN RF 120 for Cassette location.



Front Fix Top Guide
Screw head visible



Front Fix Bottom Guide
Screw head visible



Front Fix Top Guide
Screw and Cap



Front Fix Side Cassette

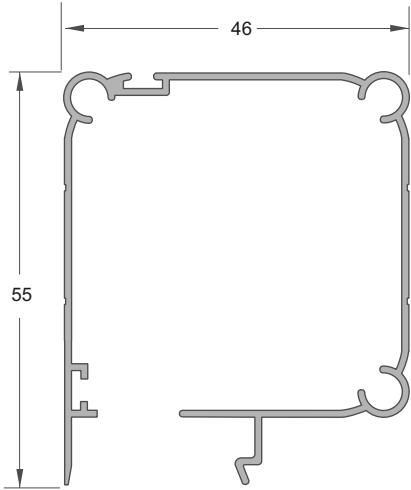
Spring Tension Guide

36 Door	
Height mm	Spring, incl Brake
2000 - 2300	14 to 18 Turns
2300 - 2400	18 to 22 Turns

TOOLS

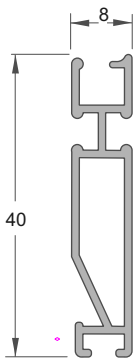
A 250mm or larger saw with 70 (or more) tooth Carbide tip blade for non-ferrous metals. Drill with appropriate tips. Drill bits, Soft Hammer, Tape Measure, Needle Nosed Pliers, Pencil, Utility Knife

Juralco Retractable Roller Insect Screens - System 46 - Extrusions



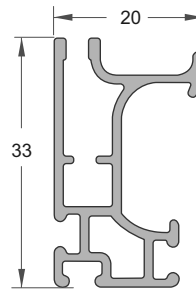
CASSETTE BOX 46mm
JRF90/46

DOOR or WINDOW



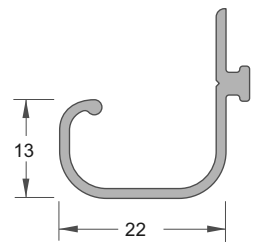
SLIDING BAR
JRF97
(Single, Double Door.
Window, but only if matching existing)

WINDOW only

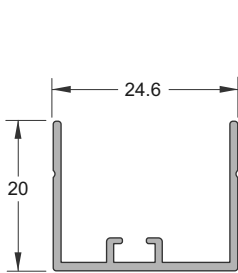


PRO SLIDING BAR
JRF85
(Windows only)

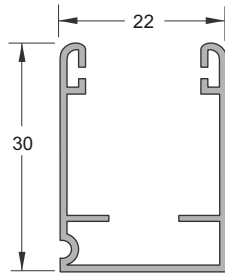
DOOR only



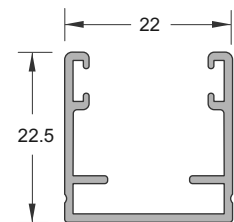
HANDLE/ STIFFENER
JRF131/22
(Doors only)



CLOSING CHANNEL
JRF96
(Single Door only or
optional on Window)



SIDE /TOP GUIDE 30x22
JRF86
(Single, Double Door
and Window)

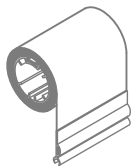


BOTTOM GUIDE 22x22
JRF94
(Doors only)

system 46

Juralco Retractable Roller Insect Screens - System 46 - Components

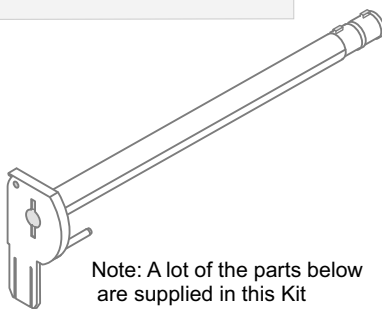
46 Cassette and Mesh
18 x 16 Charcoal x 4.8m long



JRF91/46 1700mm height (Pull down window)
1700mm width (Pull across door)

JRF92/46 2600mm height (Pull down window)
2600mm width (Pull across door)

Parts



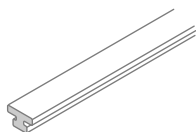
Parts for Windows 46
JRF107/46 Black Width up to 800mm
JRF106/46 Black Width over to 800mm

Parts for Single Door 46
JRF105/46 Black

Parts for Twin Doors 46
JRF108/46 Black

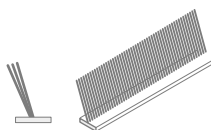
Note: A lot of the parts below are supplied in this Kit

Magnetic Strip
Black, 100mt Rolls

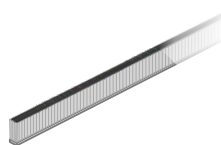


Magnetic Strip,
Positive JRF93 Pos
Magnetic Strip,
Negative JRF93 Neg

Rollerfly Anti Wind Wool Pile
JRF98/AW 11mm

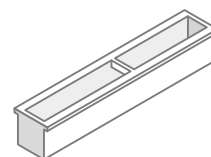


Rollerfly Wool Pile 10mm
Rollerfly Wool Pile 13mm



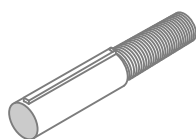
10mm - JRF 98/10mm
13mm - JRF 98/13mm

Wool Pile Opener
Part No JRF112



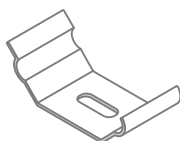
Colour - Black only

Spring Brake,



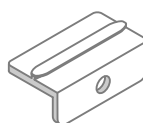
JRF109/Blue - Windows
JRF109/Green - Doors

Inset Fix Bracket - 46
JRF121



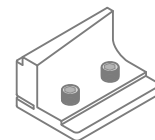
Colour - Black only

Face Fix Bracket
JRF120



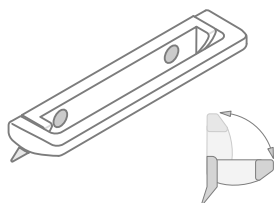
Colour - Black only

Intermediate Stop (LH +RH)
JRF110



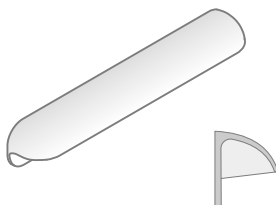
Colour - Black only

Handle, Folding
JRF124



Colour - Black only

Handle
JRF111



Colour - Black only

Acorn Set
JRF128



Colour - Black only

Ovo Lock
JRF115



Colour - Black only

Juralco Retractable Roller Insect Screens - System 46 - Components

End Cap Bush
Part No JRF 113



Spring Lock
Part No JRF 118



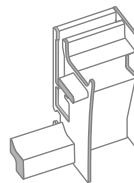
Colour - Black only

Sliding Bar End Cap
for Doors
Part No JRF 126



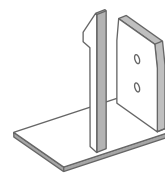
RH + LH set
Colour - Black only

Pro Sliding Bar End Cap
for Windows
JRF185



RH + LH set
Colour - Black only

Window Internal Lock
JRF132



RH + LH set
Colour - Black only

Sliding Bolts and Retainers
for Doors
Part No JRF 129

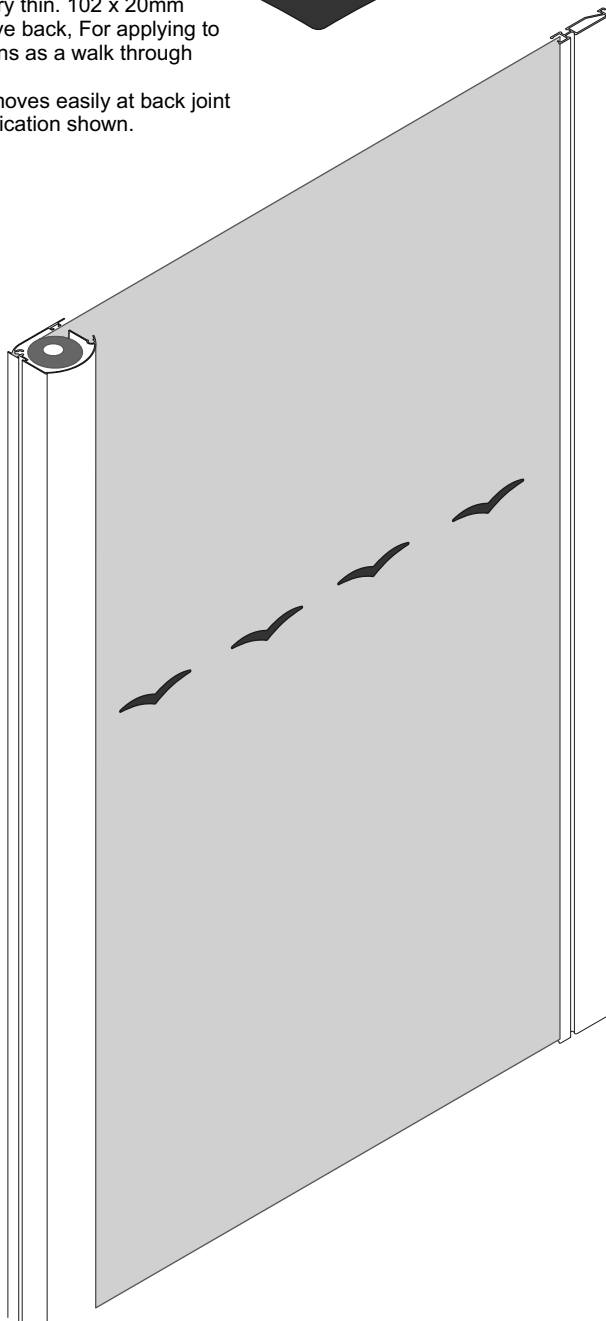


Paired set
Colour - Black only

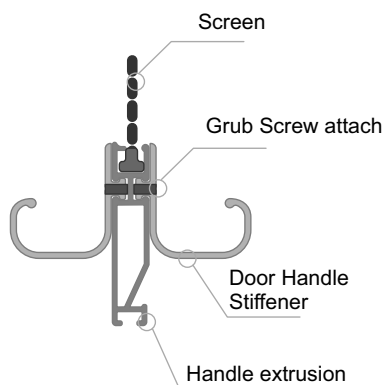
Screen Transfer
Part No JRF 125/8



Set of 8. Very thin. 102 x 20mm
Self Adhesive back, For applying to
Door screens as a walk through
prevention.
Backing removes easily at back joint
Typical application shown.



Handle Extrusion with
Optional Door Handle/Stiffener.
3 x M3 Grub screws (per side)



Can be installed both sides (as shown)
or one side only

Juralco Retractable Roller Insect Screens - System 46 - Cutting and Installation

System 46
Window or Large Opening, Pull down
Spring Loaded, Inset fixing shown

Fixing
For Inset or Face Fixing
Maximum sizes
2600mm High x 1800mm Wide

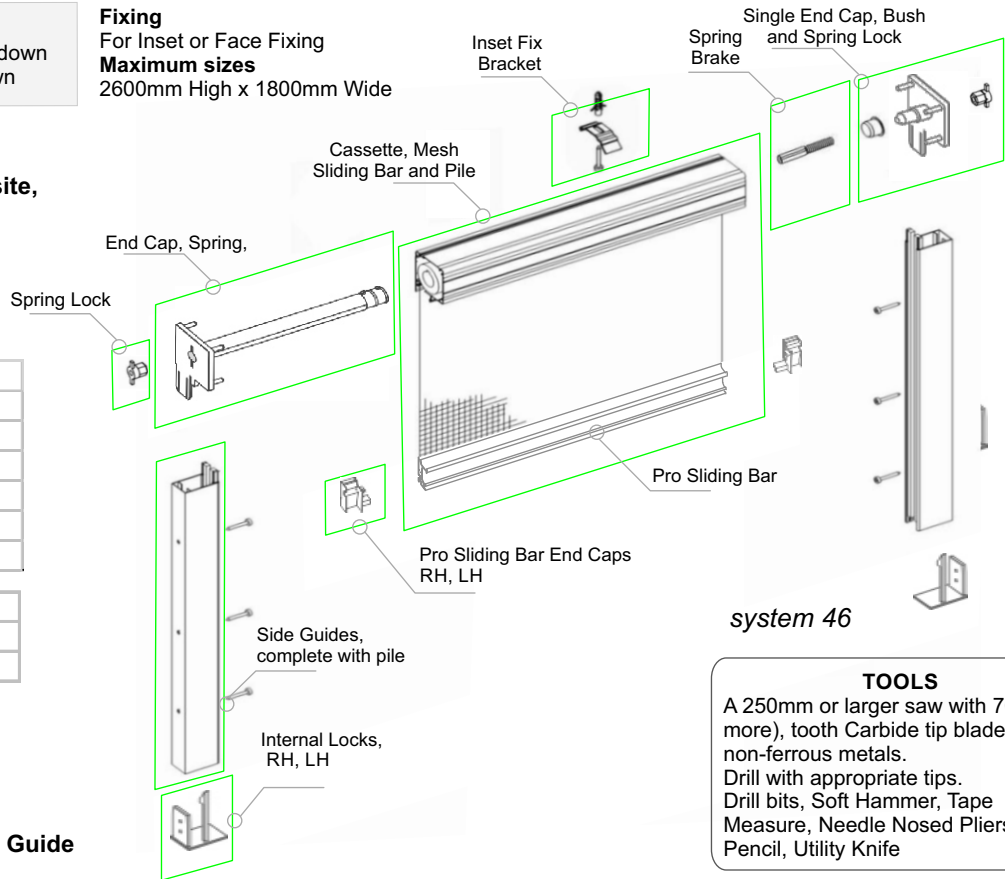
Note: Prior to delivering to site, unpack and check all items

46 Pull Down Window		
Width	Height	Spring
mt	mt	Turns
0.6	to 1.7	SS 10 - 12
0.8	to 1.7	SS 10 - 12
1.0	to 1.7	LS 20 - 22
1.5	to 1.7	LS 22 - 26

Width	Height	Spring
mt	mt	Turns
All	All	LS 3 - 4

Note: SS = Short Spring
LS = Long Spring

Inset (Reveal) Installation Guide



A typical installation involves mounting the screen housing in the recesses of the window using the inset mounting clip(s) provided. Typically this results in the screen housing simply resting within the natural profile of the window frame where it is non-invasive and virtually unnoticed.

Measuring:

Measure in 3 places, horizontally and vertically, use the smallest.

Pro Sliding Bar Width _____ (Deduct 67mm before cutting = space for End Caps x 2)

Cassette Width: _____ (Deduct 17mm before cutting = space for 2 x End Caps)

Side Guides Height: _____ (Deduct 54mm before cutting = space for Cassette)

Cutting:

Cassette - Once you have determined the location for the retractable screen housing and the sizes needed, place the cassette on your table and carefully unwrap. Mark the exact dimension of your cut. Grasp the unit with one hand and hold it firmly while you cut the housing. Always cut the housing so that the saw blade rotates in a direction that will tighten the screen mesh in the housing rather than potentially unwinding the mesh causing a ragged cut on the screen mesh. After making the cut hold upright to tap any metal shavings out. Then insert a Bush PN RF 113 at ea end.

Pro Sliding Bar - cut to same width as Cassette. Attach to Mesh. Insert Pile, attach Handle/ Acorn and Ends.

Side Guides - mark and cut to above. Drill attach holes 5mm dia. Insert pile (crimp to retain) and Internal Locks.

Assembly:

Place the cassette on the table, open the accessory kit and take out the Spring contents for assembly. Partly insert the spring assembly in the end as shown above. Turn the end cap **clockwise** to adjust the spring tension as per table. When finished fully insert the whole assembly and screw attach. The Spring Turn table is a guide only - adjust to suit. Out of square openings, wind, debris and the spring brake can affect the speed of retraction.

At the other end, assemble the End Cap, End Cap Bush,, Spring Brake and Spring Lock. Insert, screw attach.

Installation:

Inset mounting Clips - Fasten the inset mounting clip to the window frame using screws (smaller side of clip to the inside)

Set the cassette in place and rotate/snap into clips.

Side rails - Insert both side rails onto protruding edge of cassette end caps (decorative groove to front). Align rails plum and parallel into final position on window and fasten to the window frame using screws (use Pile Opener PN RF 112).

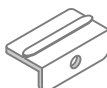
Operation:

During use the internal lock mechanism will automatically catch once the retractable screen is fully extended. To retract the screen simply grasp the sliding rail handle and provide a slight twisting action. Rotation of the sliding rail is all that is needed to disengage the internal lock and retract the retractable screen.

Check all operations are smooth, remove and adjust if necessary. Clean all fingermarks. Leave area clean and tidy.

Face Fix Installation

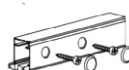
All the same as above, but use the slide in Face Fix Brackets PN RF 120 for Cassette location.



Front Fix Top Guide
Screw head visible



Front Fix Bottom Guide
Screw head visible



Front Fix Top Guide
Screw and Cap



Front Fix Side Cassette

Juralco Retractable Roller Insect Screens - System 46 - Cutting and Installation

System 46
Single Door, Pull across
Spring Loaded. Inset fixing shown

Fixing
For Inset or Face Fixing
Maximum sizes
91/46 Mesh 2400mm High x 1700mm Wide
92/46 Mesh 2400mm High x 2600mm Wide

Optional Door Handle/Stiffener RF 131
Single or both sides

Note: Prior to delivering to site, unpack and check all items

Inset (Reveal) Installation Guide

A typical installation involves mounting the screen housing in the recesses of the door using the inset mounting clip(s) provided. Typically this results in the screen housing simply resting within the natural profile of the door frame where it is non-invasive and virtually unnoticed.

Measuring:
Measure in 3 places, horizontally and vertically, use the smallest.

Cassette Height: _____
(Deduct 17mm before cutting = space for 2 x End Caps)

Closing Channel Height: _____
= Opening Height

Top, Bottom Guide Rail Width: = O/A Width
(Deduct 62mm before cutting = space for Cassette, with clips)
(Deduct 59mm before cutting = space for Cassette, no clips)

Cutting:
Cassette - Once you have determined the location for the retractable screen housing and the sizes needed, place the cassette on your table and carefully unwrap. Mark the exact dimension of your cut. Grasp the unit with one hand and hold it firmly while you cut the housing. Always cut the housing so that the saw blade rotates in a direction that will tighten the screen mesh in the housing rather than potentially unwinding the mesh causing a ragged cut on the screen mesh. After making the cut hold upright to tap any metal shavings out. Then insert a Bush PN RF 113 at ea end.

Sliding Bar - cut to same height as Cassette. Attach to Mesh. Insert Pile, attach Handle, Magnetic Strip and Ends.
Closing Channel - mark and cut to above. Drill attach holes 5mm dia. Insert magnetic strip (crimp to retain).
Top, Bottom Guides - mark and cut to above. Drill attach holes 5mm dia. Insert pile (crimp to retain).

Assembly:

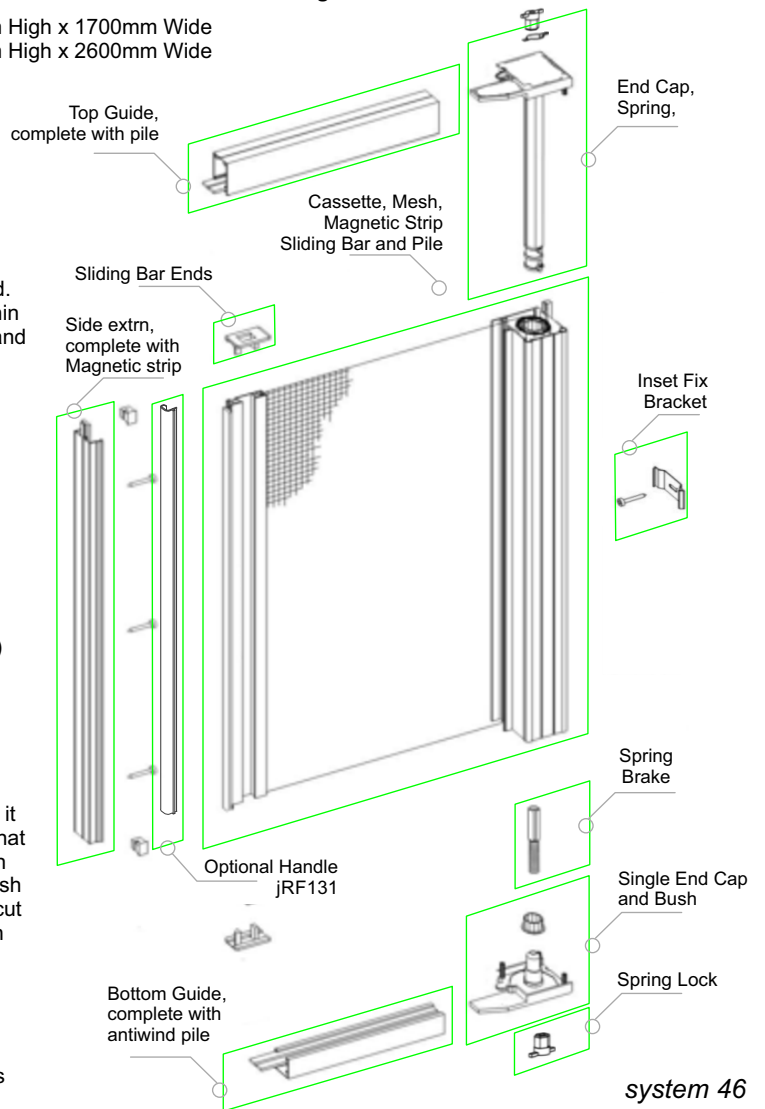
Place the cassette on the table, open the accessory kit and take out the Spring contents for assembly. Partly insert the spring assembly in the end as shown above. Turn the end cap clockwise to adjust the spring tension as per table. When finished fully insert the whole assembly and screw attach. The Spring Turn table is a guide only - adjust to suit. Out of square openings, wind, debris and the spring brake can affect the speed of retraction.
At the other end, assemble the End Cap, End Cap Bush and Spring Brake. Insert, screw attach.

Installation:

Inset mounting Clips - Fasten the inset mounting clip to the vertical door frame using screws (smaller side of clip to the inside)
Set the cassette in place and rotate/snap into clips.
Top, Bottom Rails - Insert both rails onto protruding edge of cassette end caps (decorative groove to front). Align rails square and parallel into final position on the door frame and fasten using screws (use Pile Opener PN RF 112).

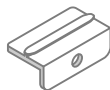
Operation:

Check all operations are smooth, remove and adjust if necessary. Clean all fingermarks. Leave area clean and tidy.



Face Fix Installation

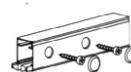
All the same as above, but use the slide in Face Fit Brackets PN RF 120 for Cassette location.



Front Fix Top Guide
Screw head visible



Front Fix Bottom Guide
Screw head visible



Front Fix Top Guide
Screw and Cap



Front Fix Side Cassette

Spring Tension Guide

Door Window 46		
Width	Height	Spring
mt	mt	Turns
to 1.2	All	LS 16 - 18
to 1.7	All	XLS 27 - 29

Note:
LS = Long Spring
XLS = Extra Long Spring

TOOLS

A 250mm or larger saw with 70 (or more) tooth Carbide tip blade for non-ferrous metals. Drill with appropriate tips. Drill bits, Soft Hammer, Tape Measure, Needle Nosed Pliers, Pencil, Utility Knife

Juralco Retractable Roller Insect Screens - System 46 - Cutting and Installation

System 46
Twin Door, Pull across
Spring Loaded. Inset fixing shown

Note: Prior to delivering to site, unpack and check all items
Inset (Reveal) Installation Guide

A typical installation involves mounting the screen housing in the recesses of the door using the inset mounting clip(s) provided. Typically this results in the screen housing simply resting within the natural profile of the door frame where it is non-invasive and virtually unnoticed.

Measuring:

Measure in 3 places, horizontally and vertically, use the smallest.

Cassette Height: _____

(Deduct 17mm before cutting = space for 2 x End Caps)

Top, Bottom Guide Rail Width: _____

(Deduct 108mm before cutting = Cassettes, with clips)

(Deduct 102mm before cutting = Cassettes, no clips)

Cutting:

Cassette - Once you have determined the location for the retractable screen housing and the sizes needed, place the cassette on your table and carefully unwrap. Mark the exact dimension of your cut. Grasp the unit with one hand and hold it firmly while you cut the housing. Always cut the housing so that the saw blade rotates in a direction that will tighten the screen mesh in the housing rather than potentially unwinding the mesh causing a ragged cut on the screen mesh. After making the cut hold upright to tap any metal shavings out. Then insert a Bush PN RF 113 at ea end.
Sliding Bar - cut to same height as Cassette. Attach to Mesh. Insert Pile, attach Handle, Magnetic Strip and Ends.
Top, Bottom Guides - mark and cut to above. Drill attach holes 5mm dia. Insert pile (crimp to retain) .

Assembly:

Place the cassette on the table, open the accessory kit and take out the Spring contents for assembly. Partly insert the spring assembly in the end as shown above. Turn the end cap **clockwise** to adjust the spring tension as per table. When finished fully insert the whole assembly and screw attach. The Spring Turn table is a guide only - adjust to suit. Out of square openings, wind, debris and the spring brake can affect the speed of retraction.

At the other end, assemble the End Cap, End Cap Bush. Spring Brake and Spring Lock. Insert, screw attach.

Installation:

Inset mounting Clips - Fasten the inset mounting clip to the vertical door frame using screws (smaller side of clip to the inside)

Set the cassette in place and rotate/snap into clips.

Top, Bottom Rails - Insert both rails onto protruding edge of cassette end caps(decorative groove to front). Align rails square and parallel into final position on the door frame and fasten using screws (use Pile Opener PN RF 112)

Lock Bolt - On the Passive Door (ie normally closed) attach Slide Bolts top and bottom. Drill 2.5mm holes in Top and Bottom Rails and attach the Slide Bolt retainers.

Operation:

Check all operations are smooth, remove and adjust if necessary. Clean all fingermarks. Leave area clean and tidy.

Fixing

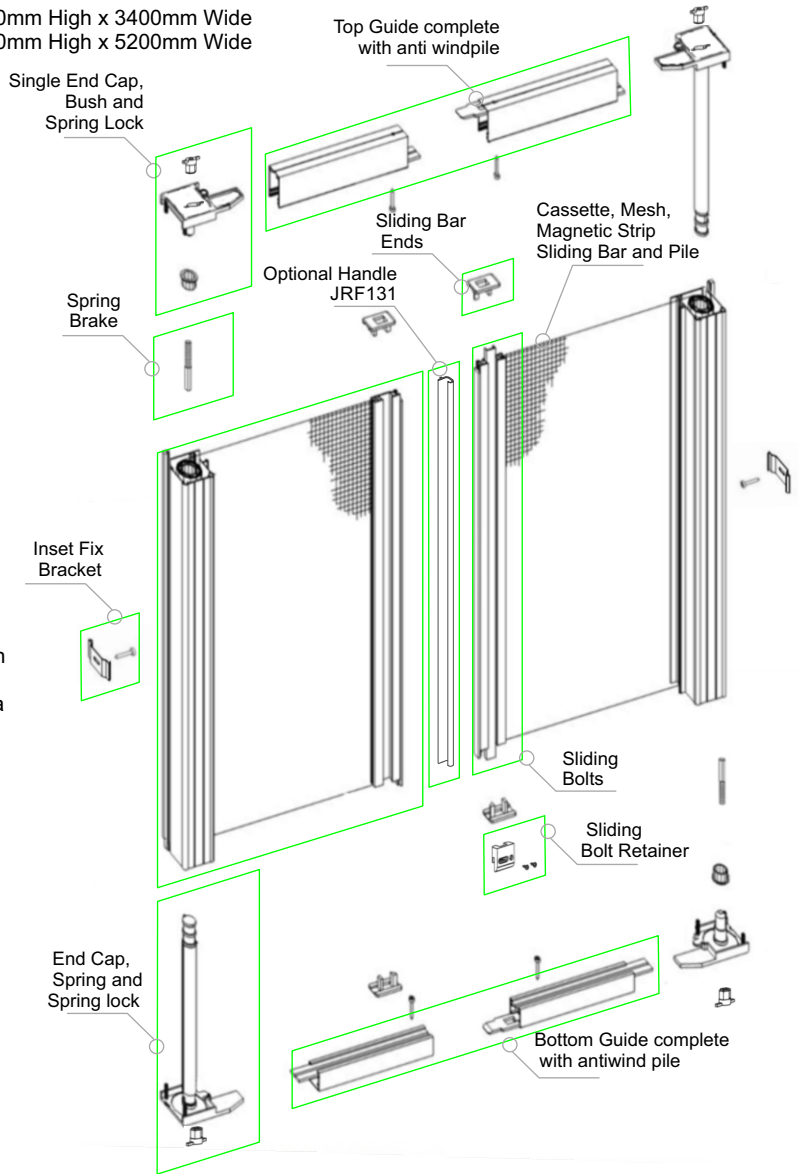
For Inset or Face Fixing

Maximum sizes

91/46 Mesh 2400mm High x 3400mm Wide

92/46 Mesh 2400mm High x 5200mm Wide

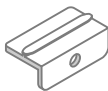
Optional Door Handle/Stiffener RF 131
Single or both sides



system 46

Face Fix Installation

All the same as above, but use the slide in Face Fit Brackets PN RF 120 for Cassette location.



Front Fix Top Guide
Screw head visible



Front Fix Bottom Guide
Screw head visible



Front Fix Top Guide
Screw and Cap



Front Fix Side Cassette

Spring Tension Guide

Width	Height	Spring Turns
mt	mt	LS
All	All	16 - 18

Note:
LS = Long Spring

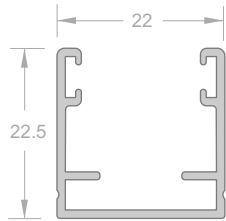
TOOLS

A 250mm or larger saw with 70 (or more) tooth Carbide tip blade for non-ferrous metals. Drill with appropriate tips. Drill bits, Soft Hammer, Tape Measure, Needle Nosed Pliers, Pencil, Utility Knife

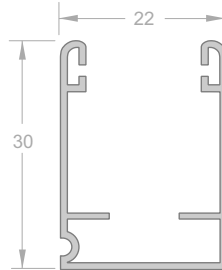
Juralco 36 - 46 Retractable Roller Insect Screens - Guides Installation for Sliding Door

For Roller Style Retractable Screens for a Sliding Door

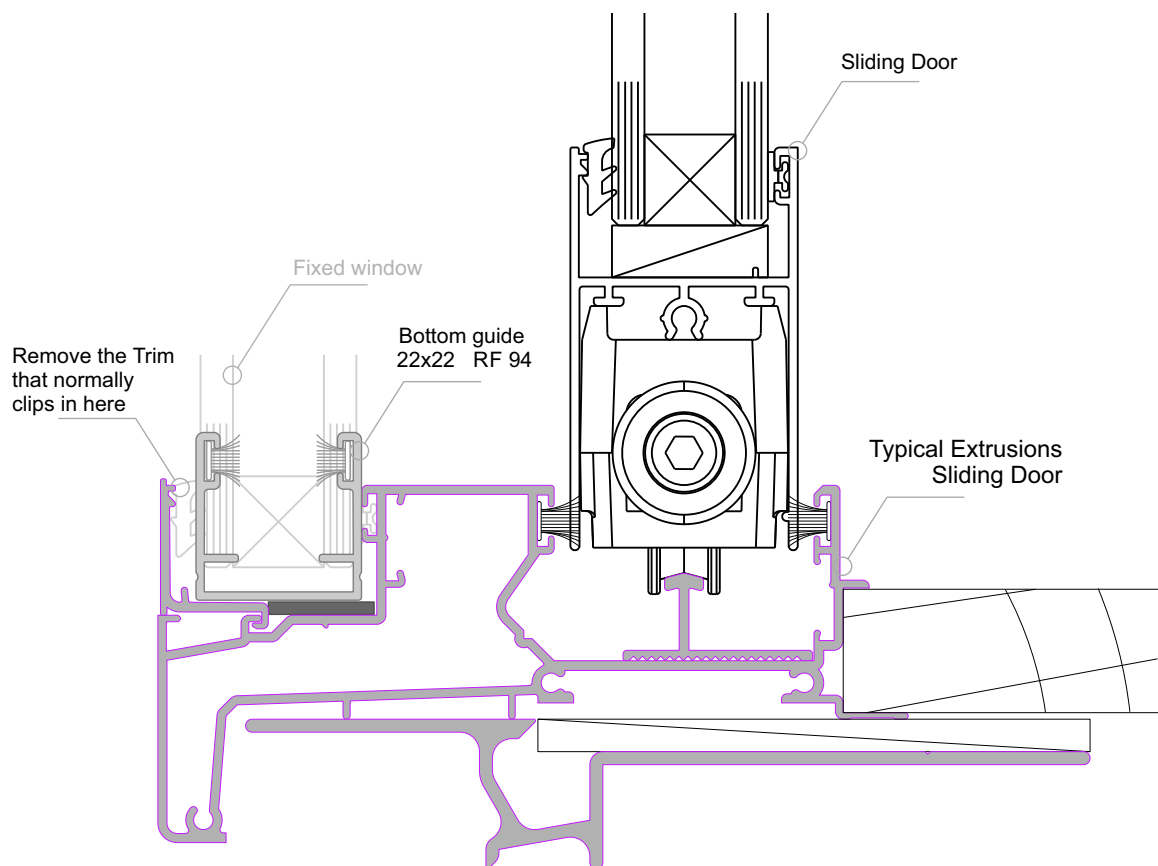
- Remove Trim and install Screen Bottom Guide - as shown
- Same for Side and Upper Guides - RF86.
- Cassette still mounts on mullion



BOTTOM GUIDE 22x22
Part No RF 94



SIDE GUIDE, UPPER GUIDE 30x22
Part No RF 86



Juralco 36 - 46 Retractable Roller Insect Screens - Troubleshooting

For Genius Roller Style Retractable Screens

OPERATION OF THE SCREEN

To operate, release the Pull Bar from the catch, let go of the handle and allow the Screen to retract itself. Pushing the Screen back into the cassette may cause the Pull Bar to jump out of the tracks or the Screen to leave the guides. Let the Screen do the work.

Problem

Possible Solutions

If the retractable Screen is difficult to pull across the opening does not glide smoothly or seems to bounce as it opens and closes:	<ul style="list-style-type: none">- Check the Top and Bottom Guides for screws that may not have been driven flush into difficult to pull across the Guides, causing the Screen to drag.- Clean any debris from inside the Bottom Guide.- Adjust the number of turns on the Spring mechanism. The more Spring tension the more resistance.- Make sure that the Cassette Housing has a 90° cut. If not, trim so it is a straight cut.- Check to insure that both End Cap Bushings are fully inserted inside Screen Tube. A bouncing effect is a sign that one or more Bushings may not be correctly installed.- Check to see if the Pull Bar is rubbing and needs to be trimmed down.- Check to see that the Plastic Pull Bar End Cap is gliding on the Glide Rails within the Bottom Rail track and NOT underneath the Glide Rails within the screw chamber.- Position the handles 900mm to 1100mm up from the sill. Move the handles even further upward on extremely tall Screens. This will help to stabilize the operation.
If the Retractable Screen binds or will not retract into the cassette housing properly	<ul style="list-style-type: none">- See steps above.- Check to see if the Insect Pile is moving or binding in the top or bottom Rails. Crimp ends to prevent movement.- Make sure that the Screen fabric has a clean cut and is not jagged; if so, trim so it is a straight cut.- Check to see if either the housing or inner tube have been twisted, bent or otherwise damaged.
If the Screen retracts too fast or too slow	<ul style="list-style-type: none">- Adjust the number of turns on the long Spring mechanism. You will need to free the right side Screen Cassette End Cap that is attached to the Spring mechanism. CAUTION: Wear protective gloves and hold onto the End Cap tightly as it is under tension and will unwind. Turn the End Cap a few turns to suit your needs. Clockwise to tighten tension and speed up the speed of retraction or, counterclockwise to loosen tension and slow down the speed of retraction. (Separate instructions are available).
If the Screen Handles hit or rub on the door hardware	<ul style="list-style-type: none">- Raise or lower the Handle so that it no longer strikes the door hardware.
If the Screen falls out of the Top Guide	<ul style="list-style-type: none">- Height measurements may be off. If the Screen is too short, shim the Top or Bottom Guide Rail. Pull Bar may be cut too short. Check measurements and consult the cutting instructions.- Check to see if the floor is level and that the opening is square; apply shims as needed.- During operation DO NOT push the Screen back toward the Screen Cassette. Release the Pull Bar from the catch, let go of the Handle and allow the Screen to retract itself. Do not push the Screen closed or the hidden dampener will not have an opportunity to work. If you push the Screen back then this could cause the pull bar to jump out of the tracks. Allow the Screen do the work.
If the Door bottom Threshold has a steep slope, causing the Retractable Screen Bottom Guide to be on an angle or does not rest flat	<ul style="list-style-type: none">- The Bottom Guide should always be as level as possible. Use Shims (or other shim material) to adjust and for support until the Bottom Retractable Screen Bottom Guide Rail is level.
If the Screen is torn or damaged	<ul style="list-style-type: none">- Replace the Screen fabric using a Screen Refill Kit. Note: you will need the model and size.
If the Magnetic Latch System does not fully seal or the Screen does not close evenly	<ul style="list-style-type: none">- Clean the Magnets using denatured alcohol or a solution of mild soap and water.- Clean any debris from inside the Bottom Guide. When not properly maintained, debris can accumulate and interfere with the operation of the Screen as well as the Screens closing and seal capabilities. Note: not all systems use a Magnetic Latch design
If the Screen Cassette will not secure into the mounting clips	<ul style="list-style-type: none">- Depending upon the style of the Screen Cassette, insert the back corner of the Cassette into the Mounting Clip or, insert the rear most channels located on the back of the Screen Cassette, then rotate the Cassette into the front of the Mounting Clip to lock into place.

ROLLER FLY		Insect Screens System - Order Form	RF #
Customer		Contact	
Order No		Date	
WO Juralco	SO Juralco	\$ Juralco	
Select/Enter Dimensions below. Enter details/selections into all boxes. Then scan and send to sales@juralco.co.nz			

This Order Form - for WINDOWS only.

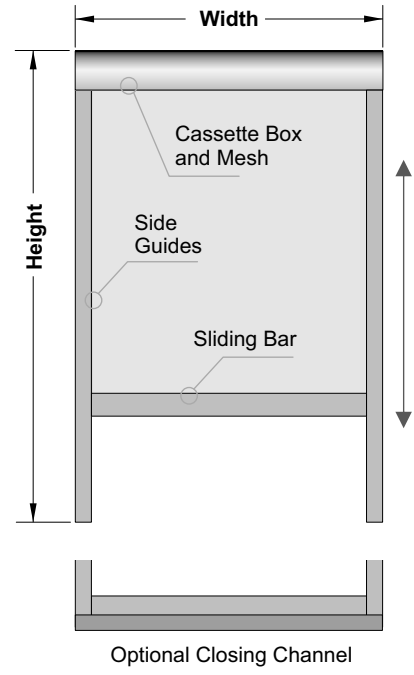
1 Enter Sizes, tick/select types and options

Min/Max **Height** x Min/Max **Width** Dimensions.
36 Kit 500mm -1450mm High x 500mm -1600mm Wide
46 Kit 500mm - 2600mm High x 500mm -1800mm Wide

Roller Insect Screen 36-46 Vertical Window Units

For this whole order, tick/choose

Pro Sliding Bar JRF85 or Sliding Bar JRF97



Enter Sizes, mm Round up to next 100mm	Series		Optional Closing Channel	No Identical
	36	46		
Unit 1 Height			No	
	Width		Yes	
Unit 2 Height				No
	Width		Yes	
Unit 3 Height				No
	Width		Yes	
Unit 4 Height				No
	Width		Yes	
Unit 5 Height				No
	Width		Yes	
Unit 6 Height				No
	Width		Yes	
Unit 7 Height				No
	Width		Yes	
Unit 8 Height				No
	Width		Yes	

2 Select Powder Coat Type

Duralloy Plus	
Duratec	

Specify PC Colour and Code

3 Notes

ROLLER FLY		Insect Screens System - Order Form	RF #
Customer		Contact	
Order No		Date	
WO Juralco	SO Juralco	\$ Juralco	
Select/Enter Dimensions below. Enter details/selections into all boxes. Then scan and send to sales@juralco.co.nz			

This Order Form - for SINGLE DOORS only.

1 Enter Sizes, tick/select types and options **Roller Insect Screen 36-46 Horizontal Single Door Units**

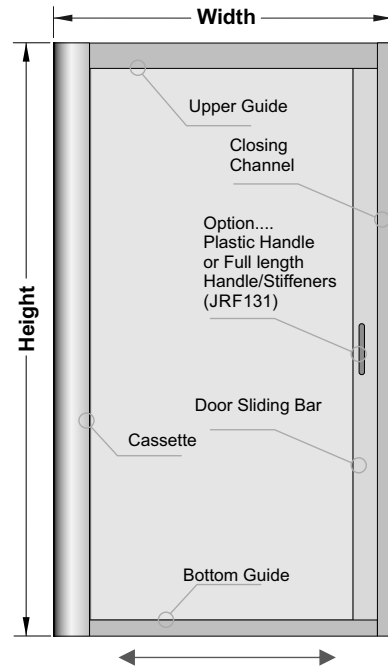
Min/Max **Height** x Min/Max **Width** Dimensions.

36 Kit 1000mm - 2400mm High x 500mm - 1450mm Wide

46 Kit 1000mm - 2400mm High x 500mm - 2600mm Wide

Note: JRF131 = Exact height - 80mm

Enter Sizes, mm <u>Round up to next 100mm</u>		Series		JRF131 Stiffener		Exact Height mm	No Identical
		36	46	Inside	Outside		
Unit 1	Height						
	Width						
Unit 2	Height						
	Width						
Unit 3	Height						
	Width						
Unit 4	Height						
	Width						



2 Select Powder Coat Type

<input type="checkbox"/> Duralloy Plus		Specify PC Colour and Code	
<input type="checkbox"/> Duratec			

3 Notes

ROLLER FLY		Insect Screens System - Order Form	RF #
Customer		Contact	
Order No		Date	
WO Juralco	SO Juralco	\$ Juralco	
Select/Enter Dimensions below. Enter details/selections into all boxes. Then scan and send to sales@juralco.co.nz			

This Order Form - for DOUBLE DOORS only

1 Enter Sizes, tick/select types and options **Roller Insect Screen 36-46 Horizontal Double Door Units**

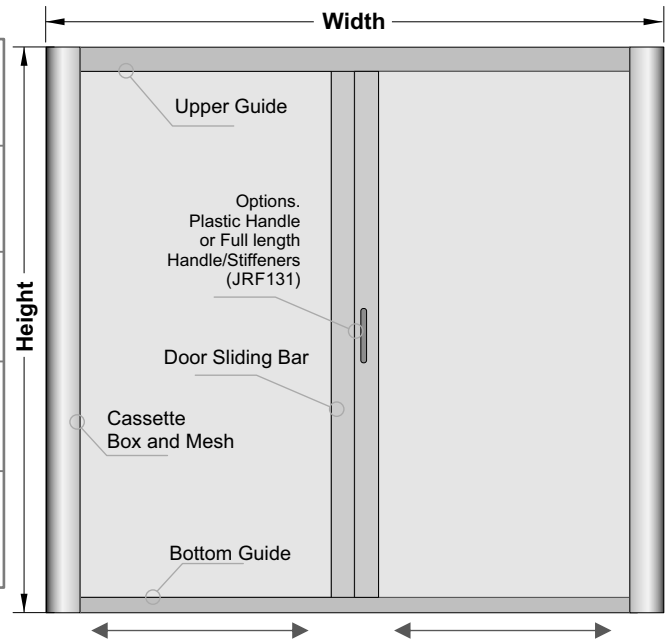
Min/Max **Height** x Min/Max **Width** Dimensions.

36 Kit 1000mm - 2400mm High x 1000mm - 2900mm Wide

46 Kit 1000mm - 2400mm High x 1000mm - 5100mm Wide

Note: JRF131 = Exact height - 80mm

Enter Sizes, mm Round up to next 100mm		Series		JRF131 Stiffener		Exact Height mm	No Identical
		36	46	Inside	Outside		
Unit 1	Height						
	Width						
Unit 2	Height						
	Width						
Unit 3	Height						
	Width						
Unit 4	Height						
	Width						



3 Select Powder Coat Type **Specify PC Colour and Code**

Duralloy Plus	<input type="checkbox"/>
Duratec	<input type="checkbox"/>

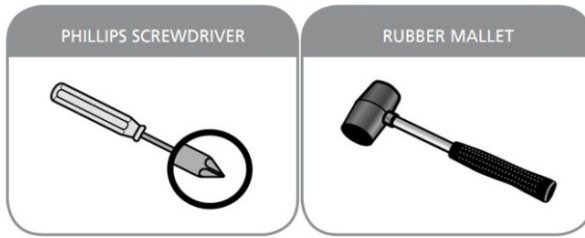
4 Notes

Juralco 36 - 46 Retractable Roller Insect Screens - Adjusting Spring Tension

For Genius Roller Style Retractable Screens

Installation Tools needed

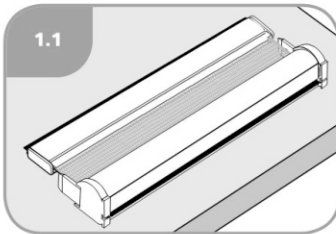
Note : Although Genius offers a variety of screen cassettes, the process of adjusting spring tensions is essentially the same.



Adjusting the Spring Tension

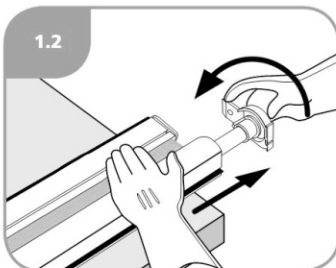
Note: The Standard (Window) Pull down is now the Window Pro Sliding Bar JRF85

ADJUSTING THE SPRING TENSION



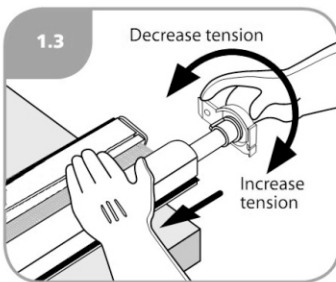
NOTE: Wear sturdy gloves before beginning this procedure.

Remove the Screen Cassette Assembly from the opening and place on the table as shown in illustration [1.1].



Increase the spring tension by adding clockwise turns or decrease tension applying counter-clockwise turns [1 .3].

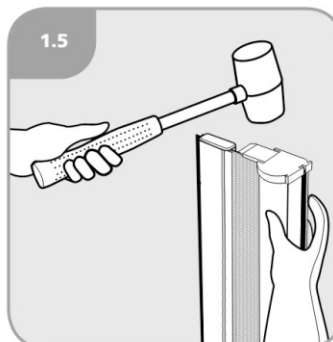
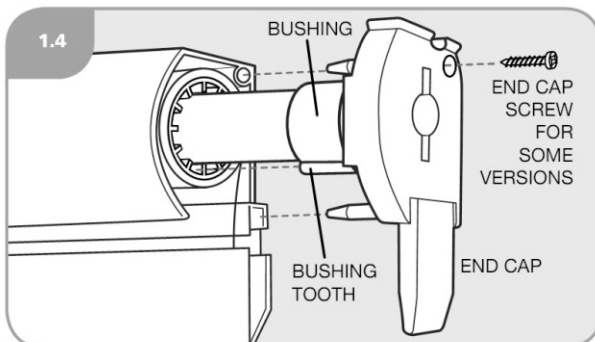
Note: Horizontal operating door screens require approx. 2 full rotations and vertical (pull-down) window screens require approximately 6 full rotations per every 12" of Screen Cassette length. You may choose to modify these numbers to adjust the speed of retraction and/or ease of opening. CAUTION: DO NOT let go of the End Cap until it is secured into the Cassette.



NOTE: When sliding the Bushing into the tube of the screen roll, make sure that the tooth on the Bushing lines up with one of the slots in the Screen Tube [1.4].

Slide the End Cap Pin into the Cassette and install by tapping evenly with a soft mallet [1 .5]. If your system uses a screw to secure the End Cap then install this now [1 .4].

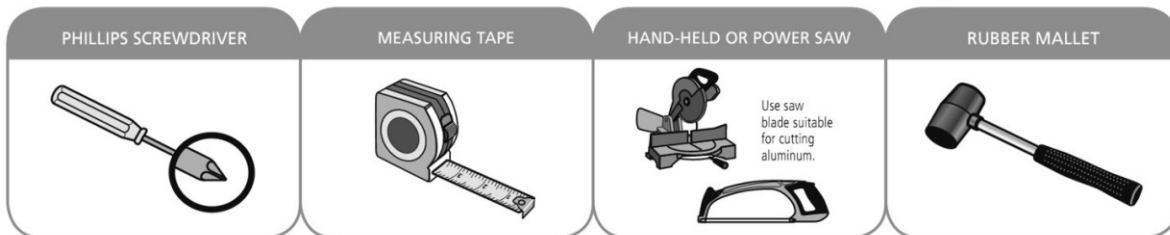
Open and close the screen several times to check the operation. Reinstall the retractable screen in the opening.



For Genius Roller Style Retractable Screens

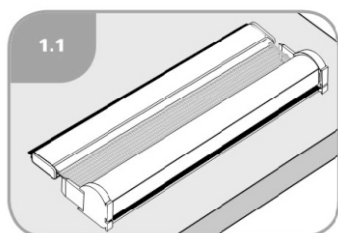
Installation Tools needed

Note : Although Genius offers a variety of screen cassettes, the process of replacing the Screen on Tube is essentially the same. If just replacing the End Cap and or Springs, see steps 1.1 to 1.6 and 2.5 to 3.4



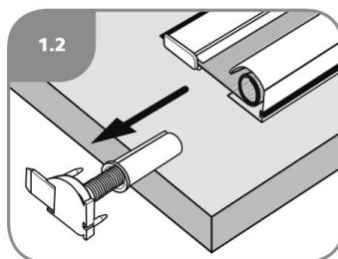
Removal

Note: The Standard (Window) Pull down is now the Window Pro Sliding Bar JRF85



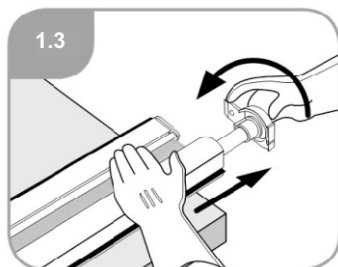
1 REMOVAL

Remove the screen cassette assembly from the opening and place on the table as shown in illustration [1.1].



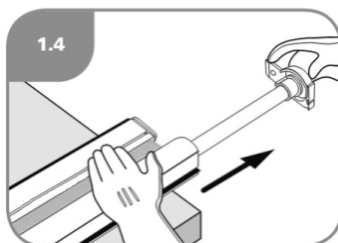
Remove the left cassette end cap assembly [1.2].

Gently loosen the right end cap from the cassette being careful to keep a firm grip on the end cap (do NOT let go). Slowly rotate the right end cap counter clockwise until all of the spring tension has been released [1.3].

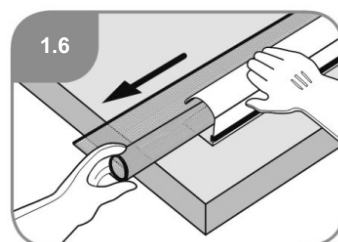


Remove the right end cap assembly [1.4].

Remove Pro Sliding bar end cap, then slide the Pro bar off of the rubber strip

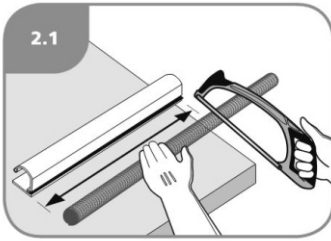


Remove the Screen +Tube from the cassette [1.5].



Repair and Install

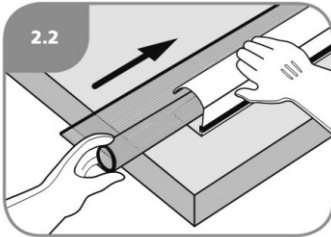
Note: The Standard (Window) Pull down is now the Window Pro Sliding Bar JRF85



2.1

2 - REPAIR AND INSTALLATION

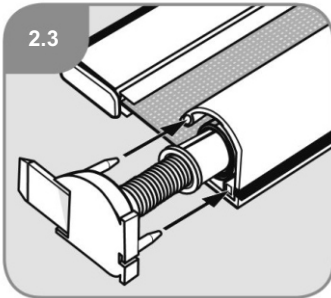
Cut the new Screen +Tube refill assembly to the same length as the prior Screen+ Tube assembly [2.1] Remove any cutting shavings and debris.



2.2

Make certain that the screen is rolled tightly and insert the Screen + Tube back inside the cassette with the rubber strip outside the cassette awaiting installation of the Pro Sliding Bar [2.2].

Slide the Pro Sliding Bar onto the Screen/rubber strip & re-install the Pro Sliding Bar end cap



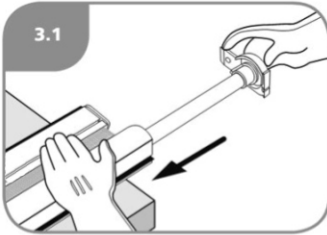
2.3

Install the left cassette end cap assembly. Be certain to fully insert the Bushing inside the inner aluminum tube before pressing the end cap fully in place [2.3]

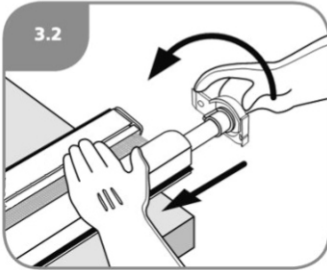
Insert the Bushing

Note: The Standard (Window) Pull down is now the Window Pro Sliding Bar JRF85

3 INSERT THE BUSHING

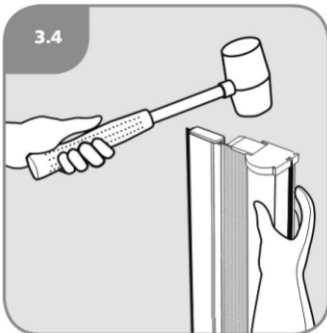
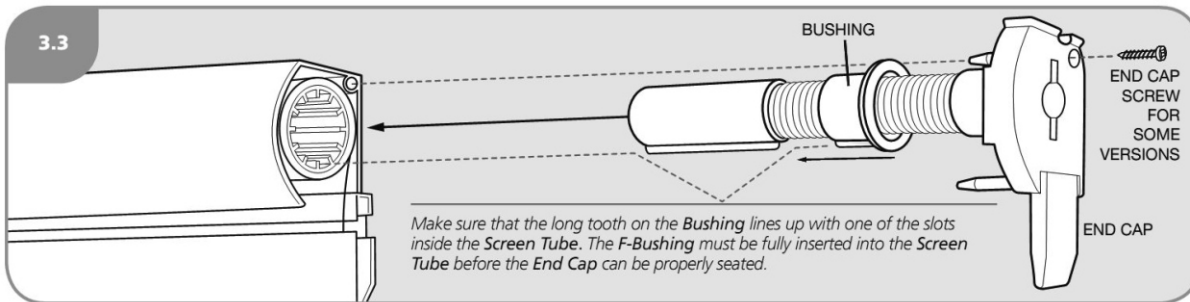


Insert the spring portion of the right end cap assembly inside the inner aluminum tube [3.1]. Using care to hold and not release the end cap, add approximately 2 full clockwise turns for every 12" of length of screen cassette [3.2].



NOTE: Be certain that the screen is wrapped tightly inside the Cassette before adding tension to the Spring. You may make slight adjustments to the Spring tension according to your preference for the retraction speed and pull tension. **CAUTION: Do NOT let go of the End Cap unit until it is secured into the Cassette.**

NOTE: When sliding the Bushing into the tube of the screen roll, make sure that the tooth of the Bushing lines up with one of the slots in the Screen Tube [3.3].



Slide the End Cap pin into the Cassette and install by tapping evenly with a soft mallet [3.4]. If your system uses a screw to secure the End Cap then install this now [3.3].

Open and close the screen several times to check the operation.

Reinstall the retractable screen in the opening.

Powder Coating Installation Care

Warning re use of solvents:

- In some cases strong solvents are recommended for thinning various types of paints and also for cleaning up mastics and sealants.
- These can be harmful to the extended life of the powder coated surface, and must not be used for cleaning purposes.
- It is important to note that the damage will not be visible immediately and may take up to 12 months to develop.

If paint splashes or sealants and mastics need to be removed then the following may be safely used:
Methylated Spirits, Ethyl Alcohol, Isopropanol or preferably a mild detergent in warm water.

Joinery Protection during Installation:

All the activity on a construction site means that your powder coated items may get knocked or scratched, splattered with mortar, plaster, textured coating or paint during the later stages of construction.

Please ensure that all powder coated articles are masked or covered at this time. It is far easier to prevent accidents than to try and correct them. Should your joinery receive mortar or paint splashes see that these are removed before cure and follow the instructions contained in this brochure.

Typical sticker used to warn other trades of the need to protect and mask off powder coated joinery (applies to anodised joinery also)

"IMPORTANT ALL TRADES"
This valuable aluminium joinery will suffer permanent damage from: plaster, mortar and paint splashes - Protect if splashes occur - Immediately wash down joinery with water or meths - Do not allow splashes to harden! - Do not use solvents! - Do not remove this label until final clean completed.

This photograph display damage that has occurred on site, post installation. The photo of the masked joinery displays clear signs of damage that could have occurred were it not masked. Please ensure that your joinery is protected right through the entire construction process.



Powder Coating Maintenance

External - Maintenance Program:

To extend the life of external powder coated articles and to comply with warranty requirements for powder coated aluminium joinery, a simple, regular maintenance program must be implemented.

The effects of ultra violet light, atmospheric pollution, dirt, grime and airborne salt deposits will all accumulate over time and must be removed or surface staining and weathering will occur, leading to an unsightly appearance.

For external coatings, cleaning should take place every six months. In areas where pollutants are more prevalent, such as beachfront houses and industrial or geothermal areas, then a cleaning program should be carried out on a more frequent basis ie. every one to three months.

Cleaning your powder coating:

1. Carefully remove any loose surface deposits with a wet sponge.
2. Use a soft brush (non abrasive) and a mild household detergent (do not use solvents) in warm water, remove dust, salt and other deposits.
3. Rinse off with clean fresh water.



Restoring weathered or scratched surfaces:

Repair of Scuffed or Scratched surfaces
Dulux Spray Cans are available in all colour card colours.

Repair of Small Scratches or Chips.
Dulux Dabsticks are ideally suited for the repair of small scratches.
Dabsticks may not be available in all colour card colours.

Repair of Weathered areas .
Dulux Gloss Up is a light to medium cutting cream ideally suited for gloss restoration and has been specifically designed for this purpose.
Gloss Up contains no waxes or silicone and is a one step system.



Contact Dulux Powder Coatings , ph 0064 9 441 8244

All pages © Copyright Juralco Aluminium Building Products Ltd, 2024



JURALCO

www.juralco.co.nz ph (09) 478 8018

Juralco Retractable Roller 36 - 46 Screen Systems

Issue 3-24 v1
Page 28