

# Juralco Knightguard Rollergrille Systems - Installation

## INSTALLATION HINTS

1 - RULE NO 1 - THINK, carefully before commencing the work. Carefully plan your work before commencing.

The installer should carefully inspect each opening and make certain where and how the shutter is to be fixed.

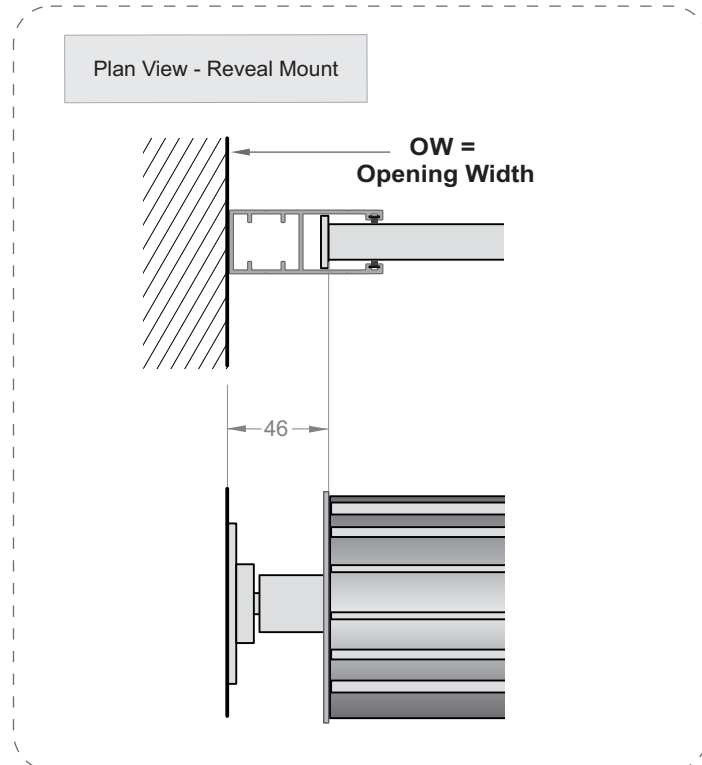
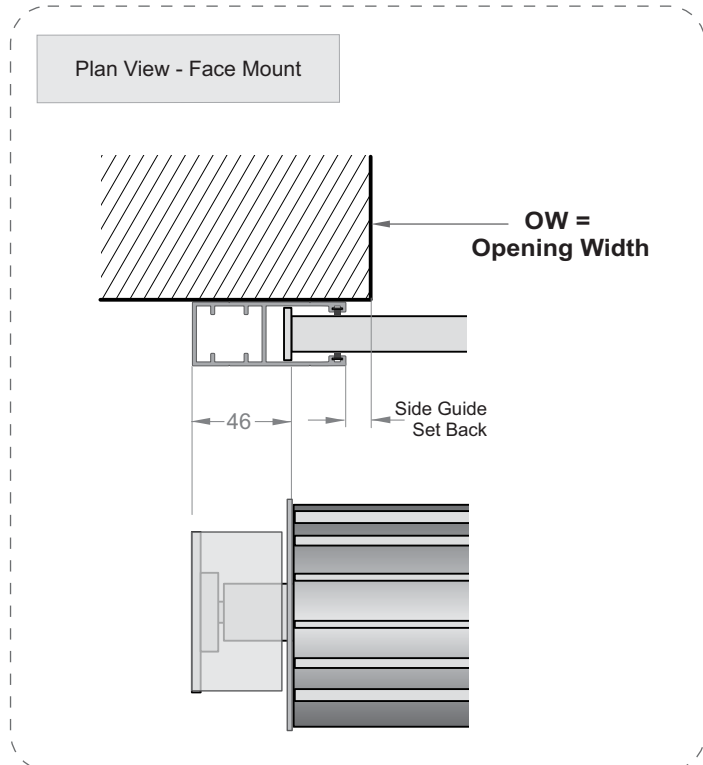
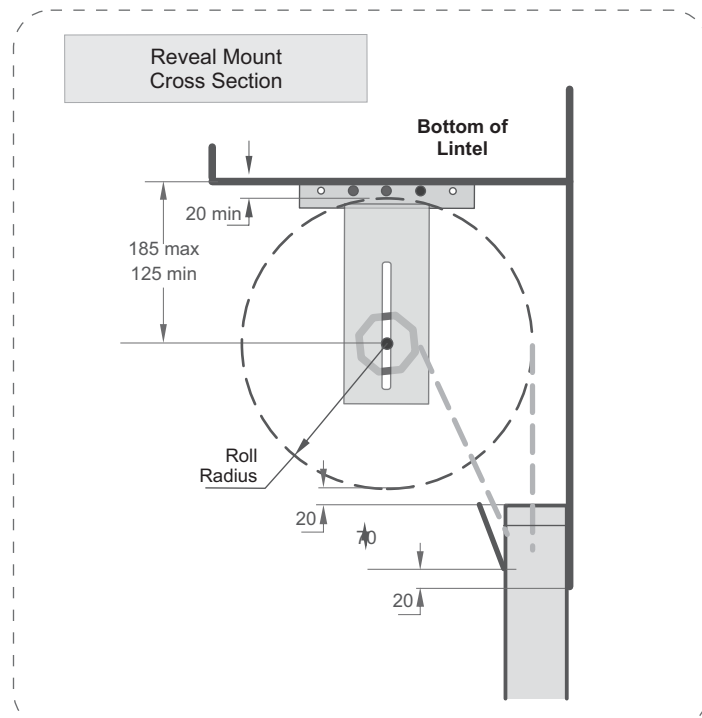
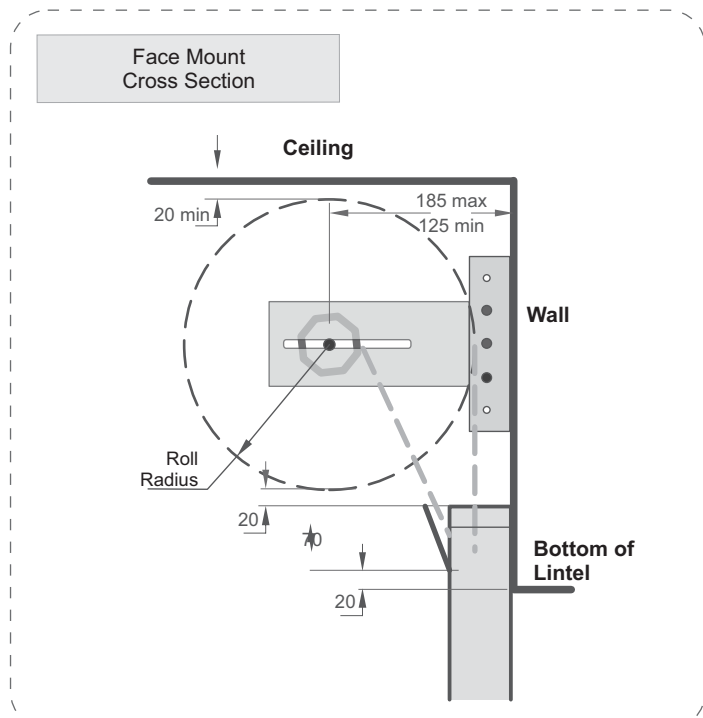
2 - RULE NO 2 - THINK, safety first.

3 - HANDY HINTS

- a - Always keep some spare drill bits.
- b - Have all drill bits ready sharpened before commencing work.
- c - Have some touch-up paint with you.
- d - Have a piece of flat aluminium sheet of 2mm to 3mm thickness. You may need to improvise on site.
- e - Have a piece of side guide handy to help you space out and mark where to drill fixing holes.
- f - Upon arrival at the work site, assign all the numbered componentry to each shutter and to each opening.
- g - After installing, test the Rollergrille to your satisfaction, adjust top and bottom limits, silicone spray inside the side guides.

Test all controls and locks, that they work cleanly and smoothly.

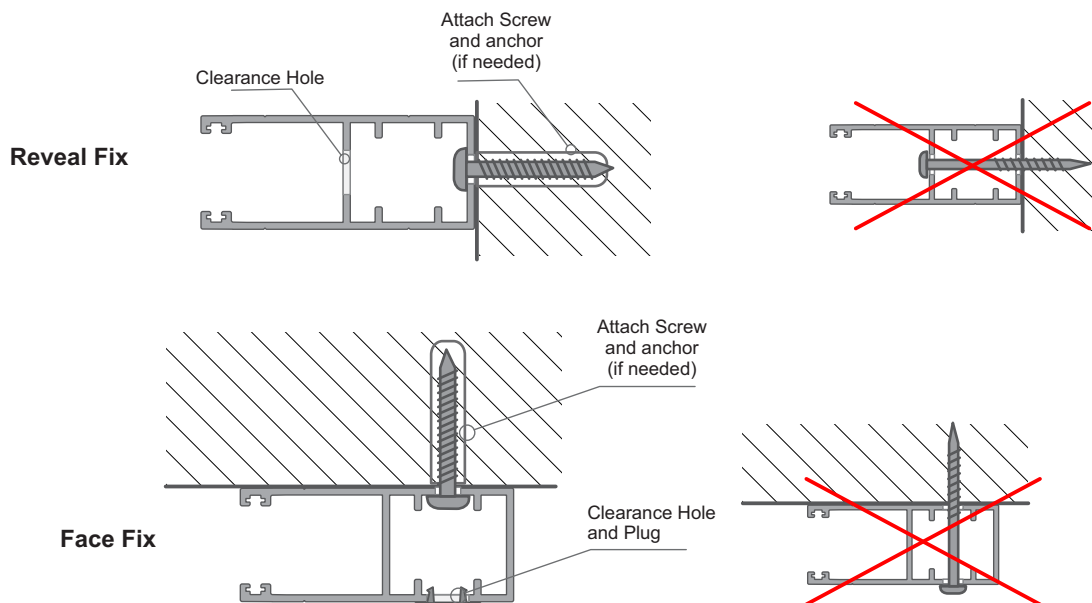
- h - Attach company labels and maintenance phone contacts in an obvious place.
- i - Hand the customer any operating Manuals.
- j - Always leave the installation (and site) in a clean and tidy condition.



## Juralco Knightguard Rollergrille Systems - Installation

### Attach Side Guides

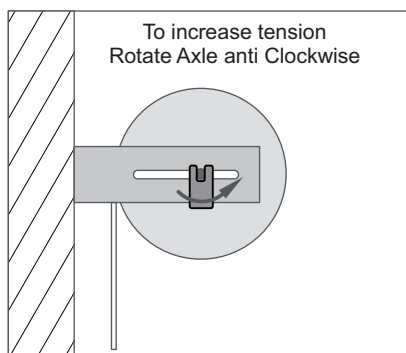
- a - If not drilling into timber, be sure to fix into full bricks or blocks and not into mortar joints.  
 b - Use galvanised 10 gauge x 35mm screws as a minimum standard for fixing.  
 For maximum security alternative security anchors should be used.



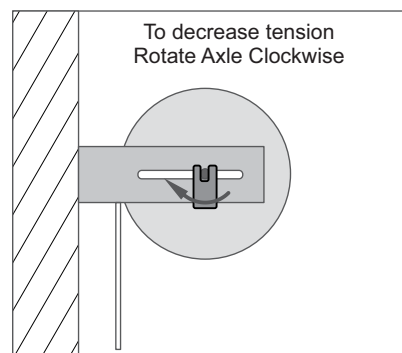
Side Guides should be square and parallel after fixing - pack out if necessary

### Recommended Installation Procedure

- 1 - Unpack and check components.
- 2 - Measure roll diameter to establish the radius.
- 3 - Mark, and fix in place angle support brackets as per drawing on next page  
 Note: Brackets must be level.  
 Bracket fastening recommendation.  
 Masonary M10 x 60mm Dynabolts. (2 per bracket, not supplied)  
 Timber M10 x 50mm Coachscrews. (3 per bracket, supplied)
- 4 - Lift rollergrille onto brackets, spring end first. Position the roll so that the spring tension key is easily removable
- 5 - Adjust pin at other end of axle to fully engage into 42mm bearing. Apply Loctite, then tighten the allen screw.
- 6 - Fit tek screw through spring support bracket and spring axle.
- 7 - Position side guides, plumb and fix in place using 40 x 8g screws (supplied).
- 8 - With 1 person holding the roll firmly, tap out the tension key. Introduce the curtain into the side guides and pull down.
- 9 - All units are tested and pre-tensioned at Juralco, and should require no further adjustment. However, if tension adjustment is required, rotate the axle roll as shown below to increase or decrease the tension.



Remove Tension Before Rotating Axle, or trying to pull down door



Remove Tension Before Rotating Axle, or trying to pull down door

- 10 - To stop the roll at the correct height when lifted. Fix 120 x 50 x 3mm flat bar to the side guides with Monel rivets (supplied). As the curtain is raised, the bottom rail footplate will catch the flat bar