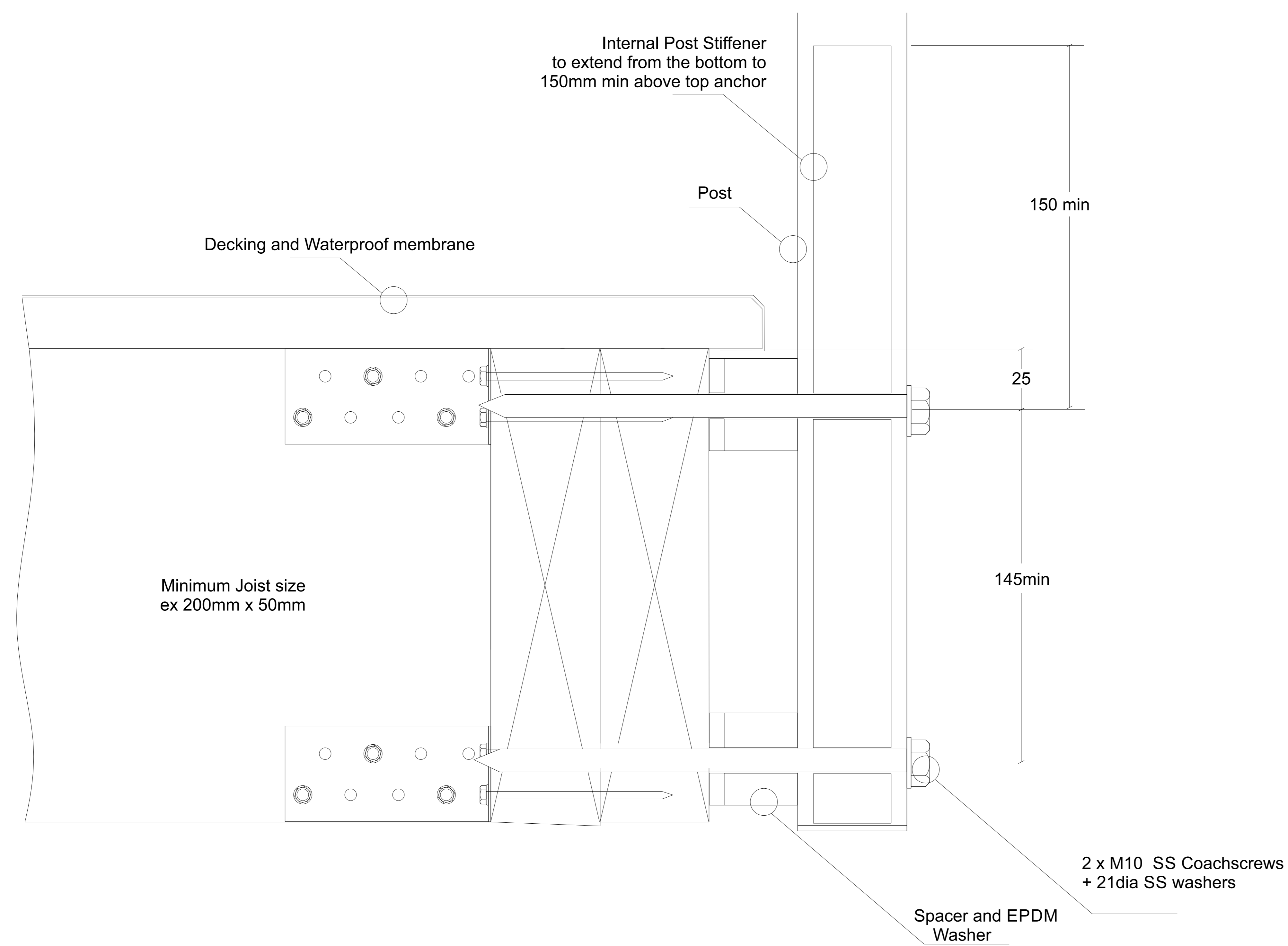


Important Notes:

- 1 - A Design engineer must ensure the structure can support the appropriate loading at each Post
- 2 - Coachscrews 90mm min thread engagement into joists
- 3 - Bond all coachscrews with SIKA Supergrip to full depth
- 4 - All fixings must be Stainless Steel

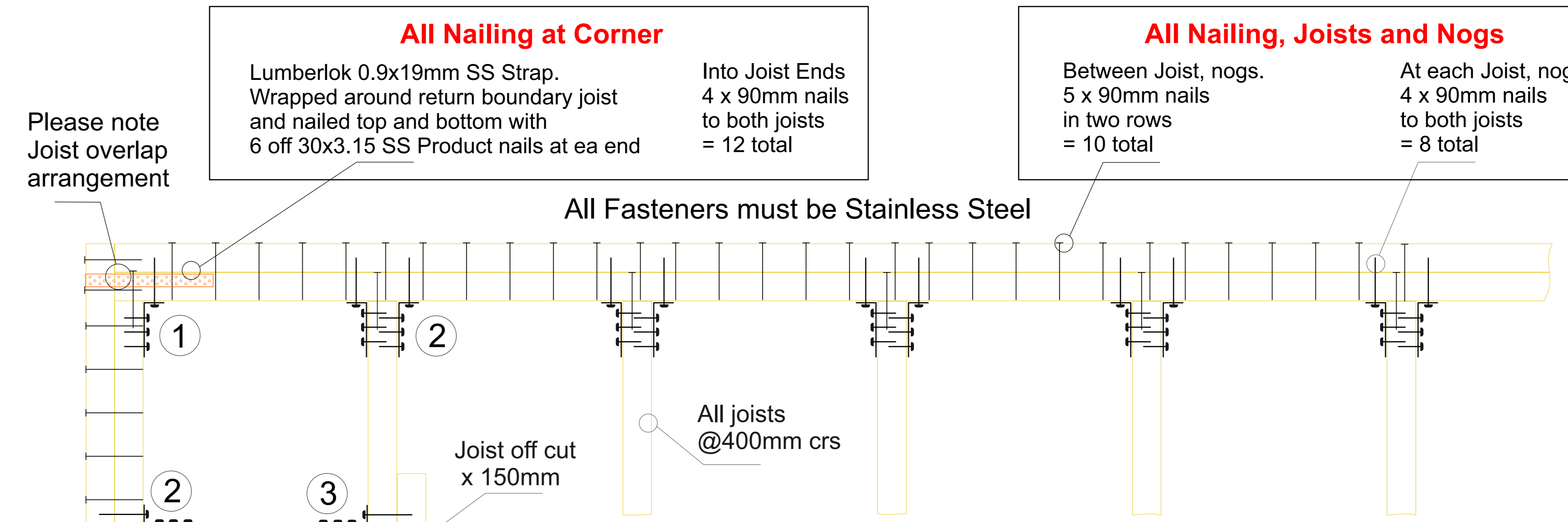
Additional Note for Semi Framless 10mm Toughened Glass Balustrade only.

An Interlinking Rail mounted on a JEC 29 Bracket attached to every Post, must be used to conform to NZS 4223.3.2016 and Building Code Clause B1.3.4. Refer to the manual for specific details.

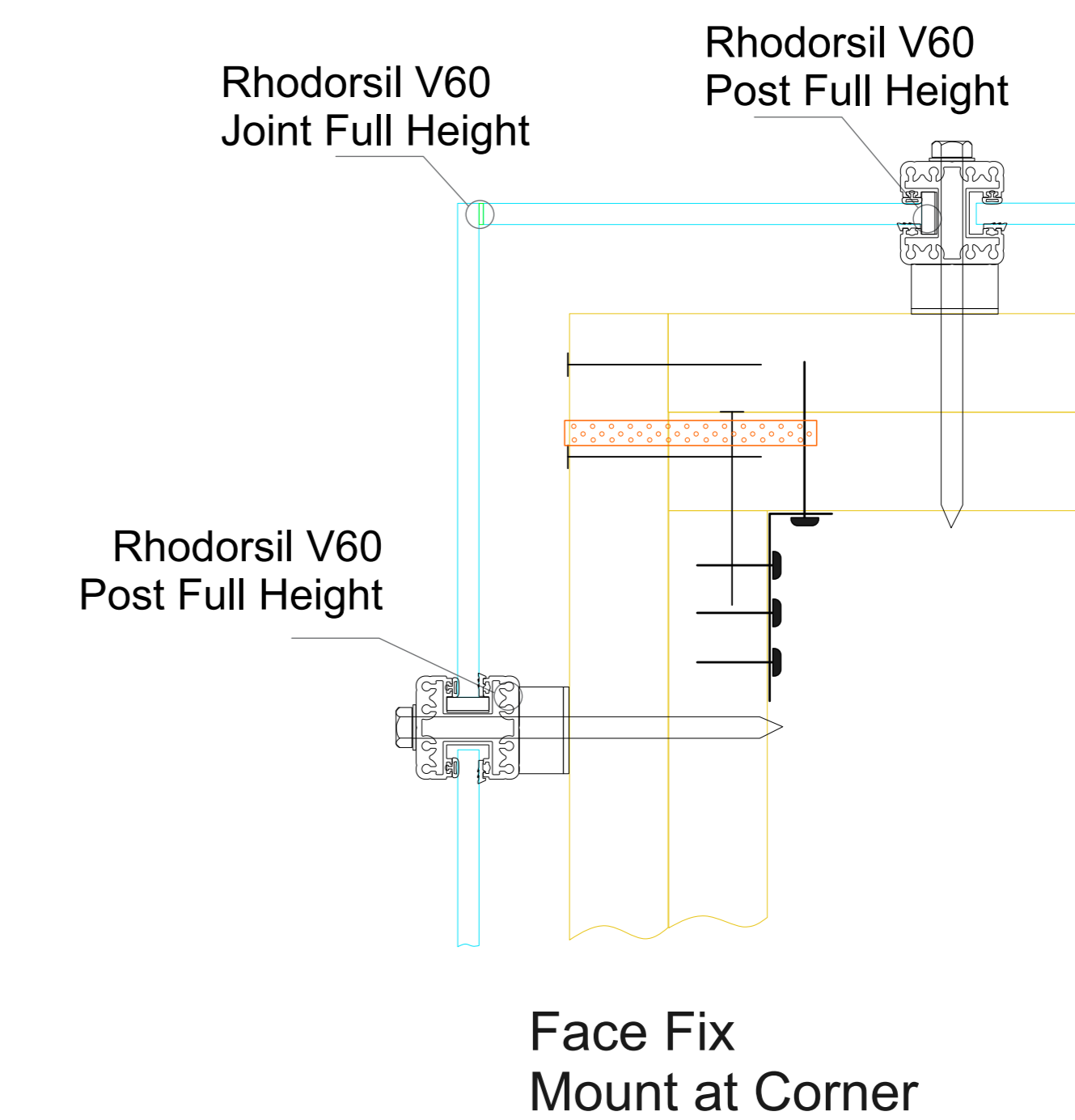


Typical Double Boundary Joist Construction Details
 Alternative Solution to NZS 3604:2011 Clause 7.4.1.3
 detailed to resist twisting of the Boundary Joist only.
 Deck designer to ensure the structure can support the appropriate horizontal and vertical loads

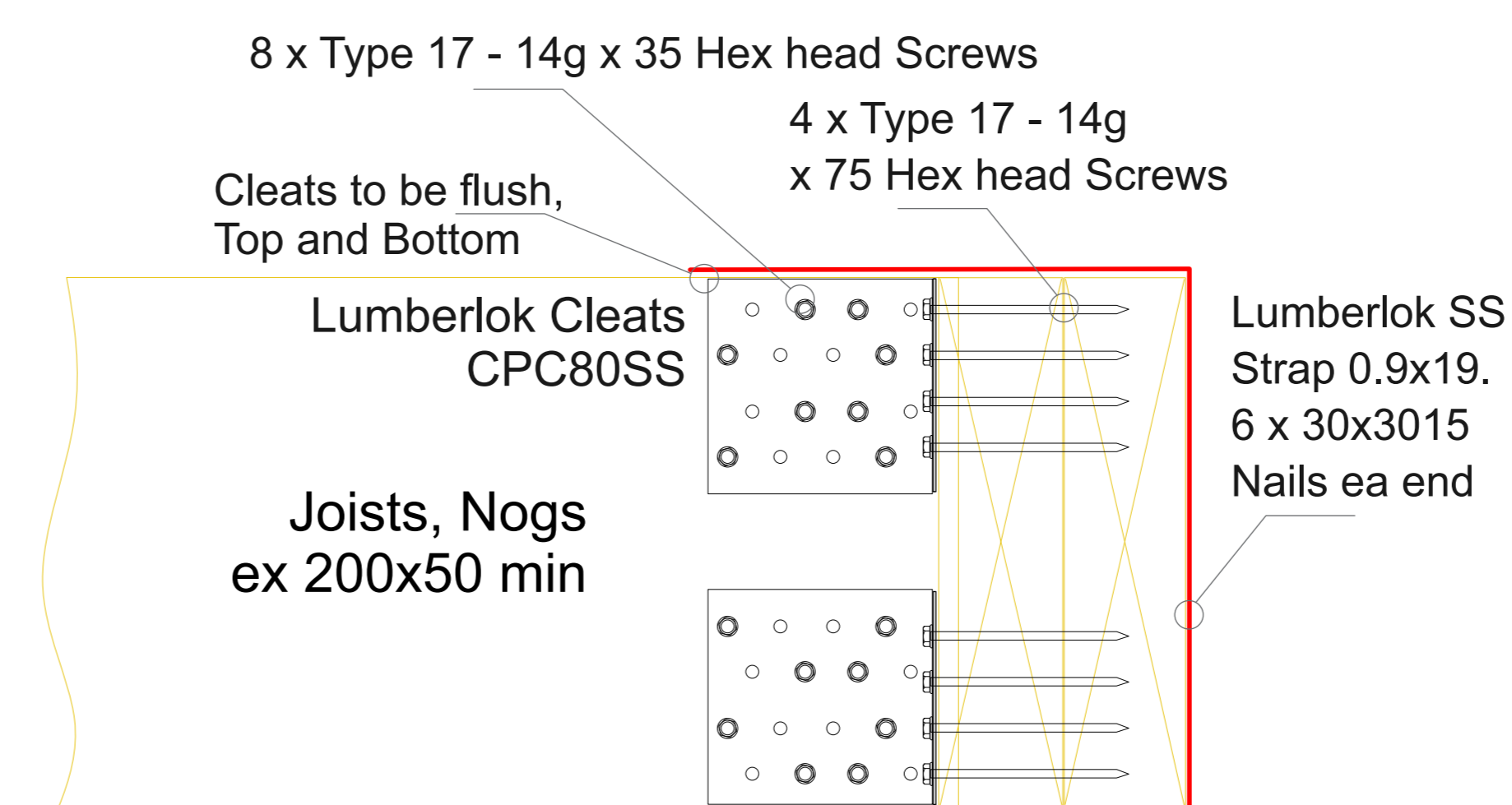
NOTE : ALL AS SPECIFIED BELOW FOR FACE FIXED BALUSTRADES ONLY.



Typical Face Fix Viking Corners
 (semiframless Glass shown, applies to all infills)



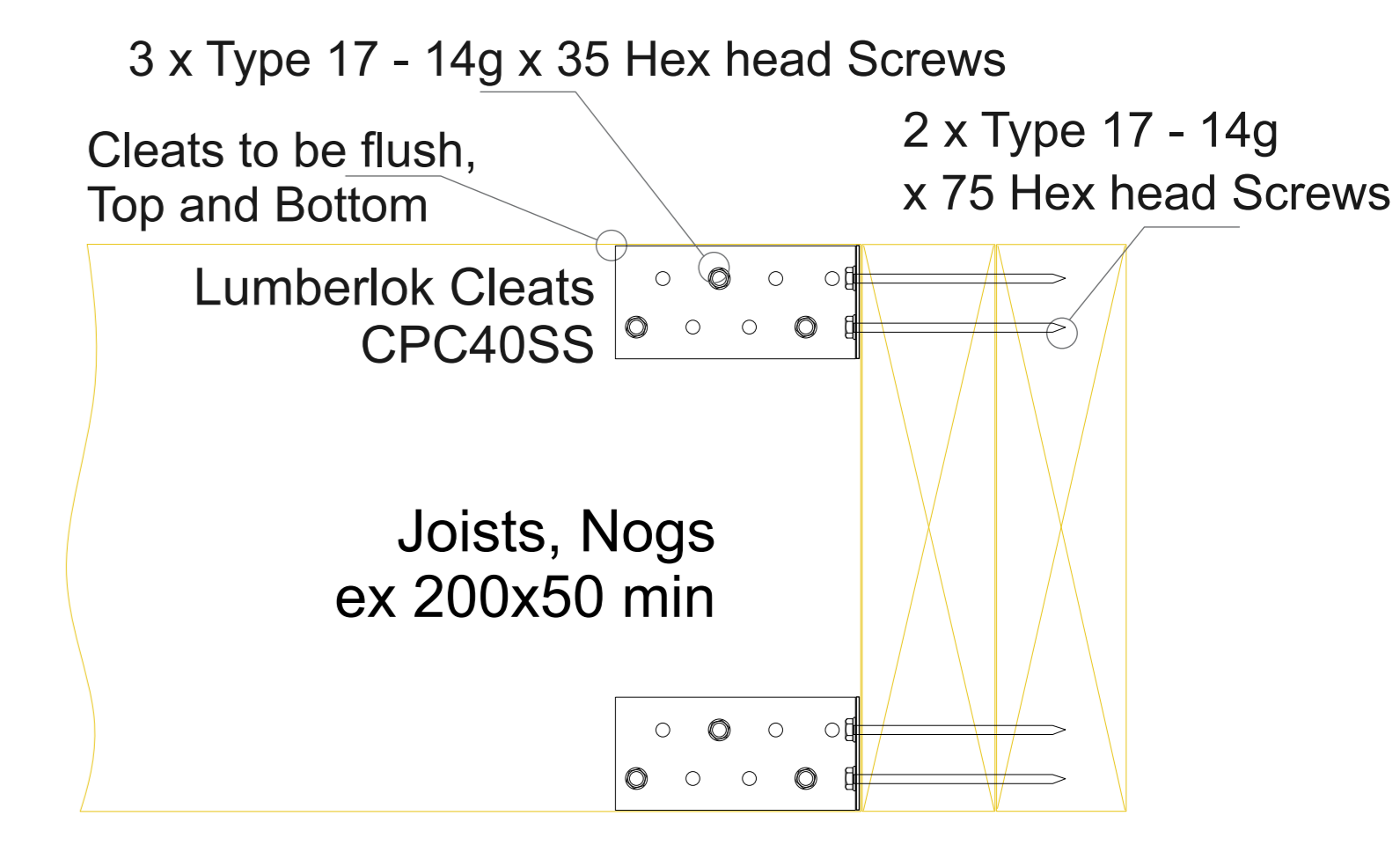
All Screwing to Corners



- ① Attaching Corner of Double Boundary Joist
2 x cleats to Corner and Lumberlok strap

All Fasteners must be Stainless Steel

All Screwing to Joists, Nogs



- ② Attaching Joists or Nogs to Double Boundary Joist.
4 x cleats to each joist or nog,
- ③ Attaching Nogs to Joist.
2 x cleats to each nog, 1 x Joist offcut x 150mm

All Fasteners must be Stainless Steel