



ECO

ETS Series

Swing door operators

The ETS Series is extremely quiet and has a well-engineered and harmonious movement. These properties make the ETS such an effective all-rounder for public buildings, hospitals, clinics, and aged-care facilities.

It is simple to assemble and easy to operated. Settings is password protected and controlled via the display panel and joystick function on the control board. Illuminated keys on the end caps allow access to the Auto/Night/Manual/Hold Open/Exit functions for approved personnel to manage the device as required.



Features

- Quiet and efficient
- Approved as a hold-open device for fire and smoke protected doors
- Has a simple, user-friendly settings menu
- Can be set for both low energy (only 4W on standby) and full power functions
- Wind load control for smooth operation of the outer doors in different air pressure conditions (up to Wind Force 9)
- Push + Go feature allows the door to automatically open when it detects users pushing the door manually

Warranties	
Mechanical	10 years
Finish	allegion.co.nz/finisheswarranty
Electronic	2 years

Specification guide

		ECO-ETS73
Closing force	Size according to EN, continuously adjustable	3 - 7
Door width	Doors up to 1600mm	Yes
Dimensions		
Size according to EN		
Including mounting plate		
Ambient temperature	Length (mm)	689
Relative humidity	Depth (mm)	120 (130)*
Maximum power consumption	Height (mm)	95
Non-handed	Celcius	-15 ° to +50 °
Maximum opening speed adjustable		Maximum 85%
Maximum closing speed		560W (4W standby)
Hold-open time adjustable		Yes
Maximum door opening angle	Adjustable (fixed if there is no power)	40 ° per second
Suitable for fire and smoke control doors		40 ° per second
		0-60 seconds
		105 °
		Yes

*130mm with mounting plate

Finish swatches




SSS

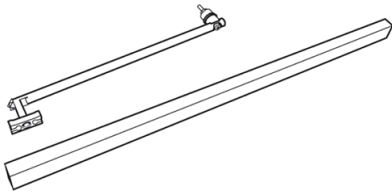
Satin Stainless
Steel

Testing and Compliance

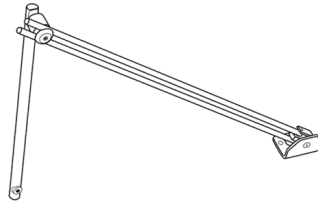
 **Fire rated:** Tested on fire door assemblies in accordance with Australian Standards, refer fire door manufacturer for specific approval details.

 **Electromagnetic compatibility:** Meets EN 6100-6-1 (emission) EN 61000-6-2 (immunity) standards.

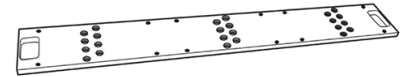
Accessories



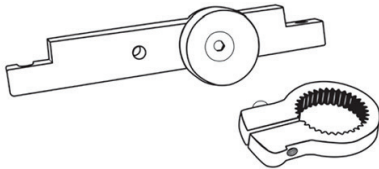
Slide Rail Arm (ECO-ETS-SLIDERAIL)
Provides an automated push action when positioned opposite the hinge side of the door, and an automated pull action when positioned on the hinge side of the door.



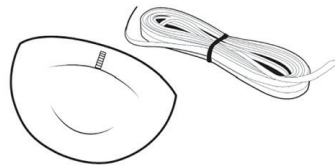
Standard Arm (ECO-ETS-ARM)
Provides an automated push action when positioned opposite the hinge side of the door.



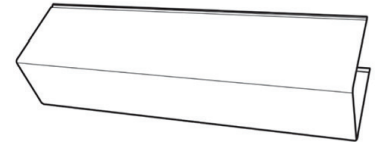
Mounting Plate for ETS (ECO-ETS-MP)
The mounting plate provides additional fire protection and/or fixing strength when used on walls or narrow frame facings.



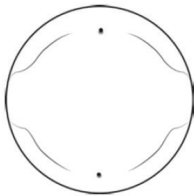
Open Stop for ETS (ECO-ETS-STOP)
Mounted on the power unit to provide additional mechanical open stop where required.



Activation Sensor (ECO-ETS-ACTIVATION)
A radar motion detector which provides an opening impulse for the ETS.



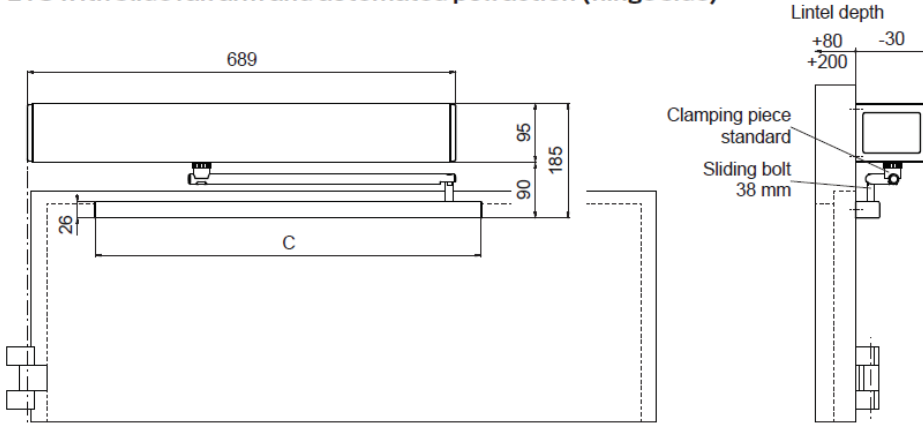
Continuous Cladding for Double Leaf Doors (ECO-ETS-DOUBLE)
Provides a seamless stainless steel look across the top of the header frame when two power operators are installed above double doors. Suitable for openings up to 2.6m wide.



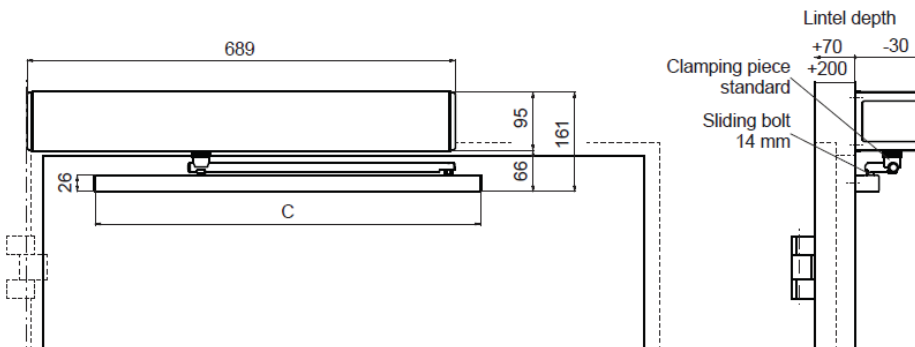
Push Plate Actuator (LCP25136)
Mounted on the power unit to provide additional mechanical open stop where required.

Mounting options

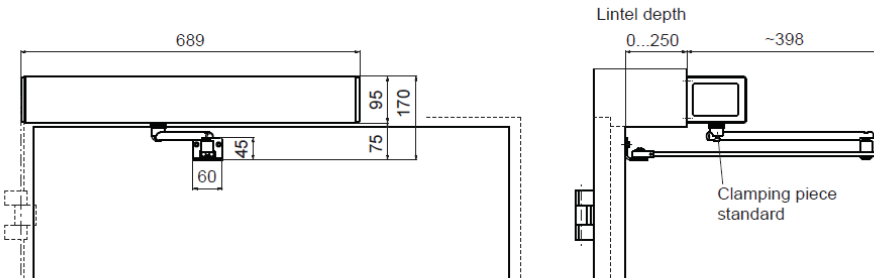
ETS with slide rail arm and automated pull action (hinge side)



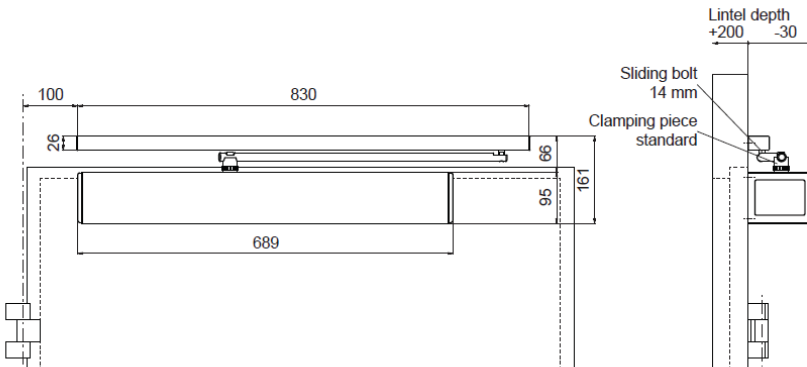
ETS with slide rail arm and automated push action (opposite hinge)



ETS with standard arm and automated push action (opposite hinge)



ETS door mounted with special long track arm and automated pull function (hinge side)*



*Long track arm can only be used in conjunction with a pull-side mounted ETS-73