



Privacy Plus



ALLEGION™

PIONEERING SAFETY™

Privacy Plus

Electronic access control solutions



One simple solution for rooms with multiple access requirements



Features and Benefits

- Universally understood LED colour codes
Green – go, Red – stop
- Automated privacy & security
- Simple push button/door handle operation
- Additional security is provided by preventing inter-room travel
- Works with Legge door furniture and FSH FEL990 mortice locks
- Designed specifically for Australasian requirements
- Legge Alpha door furniture and FSH electric mortice lock are compliant with accessibility requirements NZS4121:2001, AS1429.1.2009 & AS4145.2-2008

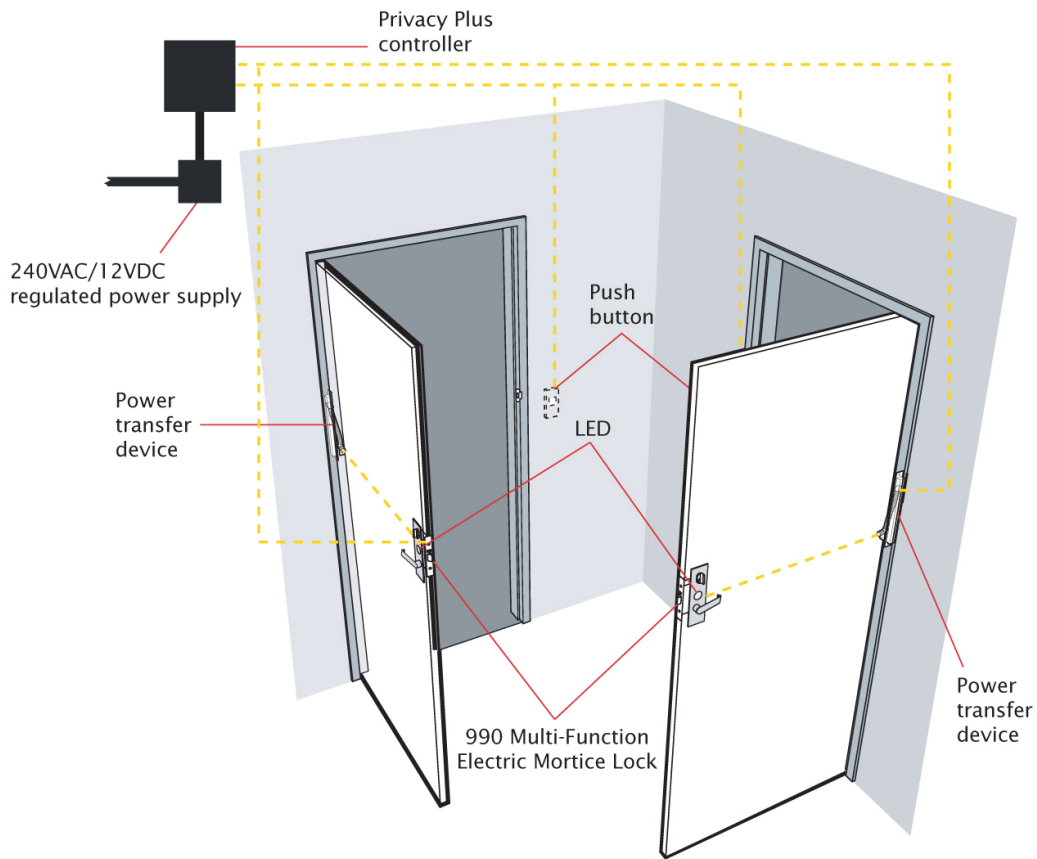
Managing access to one room via multiple doorways can be complicated and difficult. The Privacy Plus system offers a simple solution with four different levels of privacy and security, all from one controller.

Designed for shared spaces such as en-suites in healthcare and aged care facilities, laboratories, sound studios, darkrooms and other rooms with multiple access points. The synchronised locking control system ensures that occupants sharing an en-suite or room have access to privacy by the push of a button. The system is reset once the door handle has been used, ensuring access for others to the shared space.

Four levels of privacy

Central to the Privacy Plus system is an Electronic Door Control unit, from which one of four different privacy switch kits can be operated.

The system can be configured to Standard Privacy, Secure Privacy, Air Lock or Man Trap, depending on the degree of privacy and security required.



Configuration	Prior to entry	Locking scenario	Unlocking scenario	Applications
Standard Privacy (Switch kit 1)	Doors are unlocked when room is vacant. LEDs are green	All doors lock once inside button is pressed.	Opening of any door from the inside will unlock all doors. Exit can be made through either door.	Sound studios Conference rooms Darkrooms
Secure Privacy (Switch kit 2)	Doors are locked when room is vacant. LEDs are red.	One door unlocks when external button is pressed. Door entered through locks once internal button is pressed.	Internal unlock button will unlock the door entered through. Once closed, the door will automatically lock again.	Shared en-suites in hotels, hospitals and aged care facilities
Air Lock (Switch kit 3)	Doors are unlocked when both doors are in closed position. LEDs are green.	Opening either door via lever will allow access and simultaneously lock the other door, creating an air lock.	Closing the open door resets the system and both doors are unlocked.	Operating rooms Research and scientific labs
Man Trap (Switch kit 4)	Doors are locked on both sides. LEDs are red.	One door unlocks when external button is pressed. While the door is opened, the other door remains locked and cannot be unlocked by the outside button.	Closing the open door resets the system and both doors are locked.	High security facilities Cash handling Scientific laboratories

About Allegion

Allegion (NYSE: ALLE) creates peace of mind by pioneering safety and security. As a \$2 billion provider of security solutions for homes and businesses, Allegion employs more than 8,000 people and sells products in more than 120 countries across the world. Allegion comprises 27 global brands, including strategic brands Brio®, FSH®, LCN®, Legge® and Schlage®.

For more, visit www.allegion.co.nz / www.allegion.com.au

A passion for excellence

Brio ■ <FSH> ■ LCN ■ LEGGE ■ SCHLAGE

Allegion Australia

Freephone 1800 098 094
Freefax 1800 098 095
Email auinfo@allegion.com
www.allegion.com.au

Allegion New Zealand

Freephone 0800 477 869
Freefax 0800 477 868
Email nzinfo@allegion.com
www.allegion.co.nz



© 2016 Allegion

ALLEGION™