



4031T Series

Door controls



The 4031T is a single lever (track) arm, surface mounted closer designed for interior use on narrow head frames and top rails. The choice of three mountings and ease of installation offer a versatile solution to door control in moderate traffic applications. The 4030T compliments the heavy duty 4000 Series.



Features

- Universal, fully reversible, non-handed door closer
- Closer cylinder constructed of high strength cast iron for increased durability
- Heat Treated Steel Pinion
- All Weather Fluid
- Standard 4031T Series closer is shipped with a standard arm, metal cover, a standard track and wood/self-tapping machine screw pack
- Non-sized 4031T cylinder for interior doors to 38" (965 mm).
- Closer mounts pull side on door, pull side on frame and push side on door, on either right or left swinging doors
- Standard or optional custom powder coat finish
- Optional plated finish on metal cover, arm and fasteners
- Optional SRI primer for installations in corrosive conditions is available with powder coat only
- The 4030 Series is UL and cUL listed for Self-closing
- Fully adjustable 1-3 strength
- Factory set to strength 3
- Standard closer offers 3 installation options
 - Top jamb (push side)
- Closers installed according to LCN installation instructions require minimal periodic maintenance or adjustments

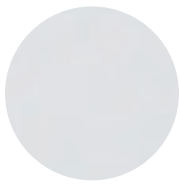
Warranties	
Mechanical	30 years
Finish	allegion.co.nz/finisheswarranty

Specification guide

Series	Function	Finish
LCN 4031T Series LCN4031T	Regular R Hold open HO	Aluminium ALUM

- Series
Select the desired series e.g. LCN 4031T Series LCN4031T
- Function
Select the required function LCN4031THO
- Finish
Select the desired finish e.g. Aluminium LCN4031THOALUM

Finish



ALUM

Aluminium

*Additional custom colours available using the RAL colouring system
**LCN also offers a special rust inhibiting process (SRI) as required

Specifications

Door type	Timber or metal
Door size	Internal door 660mm - 965mm
Applications	Pull side mount Push side mount Top jamb - pull side mount
Adjustment controls	Closing speed Latching speed Backcheck
Strength	1-3 adjustable
Options	Hold open arm Adaptor plate Square metal cover
Finishes	Aluminium
SRI	For installations where a higher level of protection against weather conditions, or the effects of a potentially corrosive atmosphere is required, LCN offers a special rust inhibiting (SRI) process. Ferrous metal components receive an SRI pretreatment and a standard powder coat finish of your choice, or a custom powder coat finish for a nominal additional cost. Closers treated with the SRI process exceed the 100 hour protection level available with standard LCN powder coated finishes.
Warranty	30-year mechanical

Testing and Compliance



Fire Rating:

Successfully tested on fire door assemblies in accordance with AS1905 Part1: Fire resistance doorsets. Check with fire door manufacturer prior to installation.



Accessibility:

Compliant to the AS 1428:1-2009 Design for Access and Mobility

Caution:

When door closers are installed and adjusted to meet reduced opening force requirements, there may be insufficient power to reliably close and latch the door, depending on prevailing operating conditions.

Note:

In areas of high wind pressure and/or air conditioning pressures, the LCN Automatic Door Operators are recommended.



ALLEGION™

Selection chart

Select strength based on width of door

Strength	Interior door
1 - 2	660mm - 864mm
3	864mm - 965mm

Regulating controls

The LCN 4031T has independent regulators to control:

Closing speed	Adjustment to increase or decrease the speed at which the door closes. This allows the appropriate momentum to close the door in a safe and secure manner. Closing speed adjustment operates from the maximum opening to 15°
Latching speed	The latching speed allows the door to close quietly and firmly. It can be adjusted to increase or decrease the speed at which the door finally closes. This assists the final stage of the closing cycle to help overcome stubborn latch bolts or air pressure conditions. Alternatively the latching speed can be decreased to cushion the door into the frame. The latching speed adjustment operates from 15° to closing. A further option to increase the latching power is to reverse the arm bracket shoe
Backcheck	Adjustable hydraulic backcheck provides a cushioning effect when the door is forcibly thrown open to prevent damage to the closer, door and frame. The backcheck adjustment allows the level of resistance in the latter stage of opening to be set at the level required. Backcheck is effective from 75°. Backcheck is a requirement for all fire rated closers
Power adjustment	Spring strength may be increased or decreased by turning the allen head screw located in the end of the door closer body

Functions

Regular	For applications where the door must fully close after each opening
Hold open	Suitable for doors where the door may need to be left in a hold open position. The hold open function can be set to stay open at a single point. Hold open closers can not be used on fire doors

Mounting details

Hinge (pull side) mounting

MAXIMUM OPENING

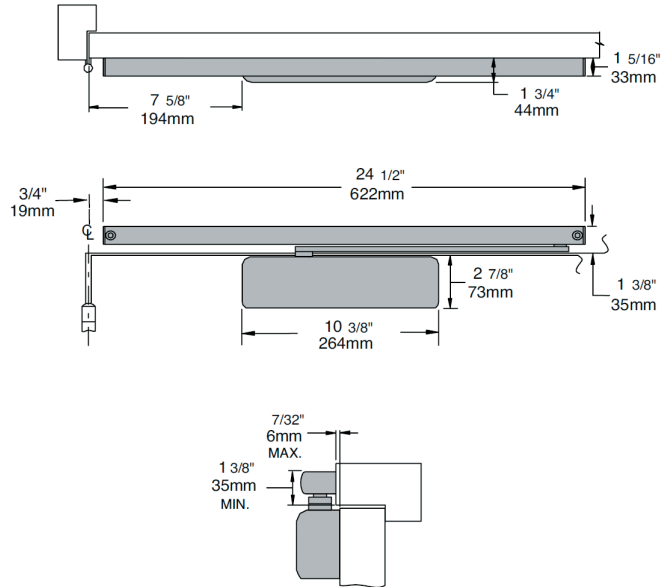
Can be templated for 180°.

Consult factory if door will be held open at 180°.

Hold-open points up to Maximum opening point with hold-open option.

Please note many track style door closers are capable of allowing 180° of door swing. Be aware the majority of track style closers are at their weakest closing force in the 180°-130° range- consult factory for applications where an exterior or large/heavy door must swing 180°

- Butt Hinges should not exceed 5" (127 mm) in width.
- Auxiliary Stop is recommended at hold-open point or where a door cannot swing 180°.
- Reveal should not exceed 7/32" (6 mm).
- Top Rail requires 2-7/8" (73 mm) minimum.
- Clearance of 1-3/4" (44 mm) behind door required for installation.



Top jamb (pull side) mounting

MAXIMUM OPENING

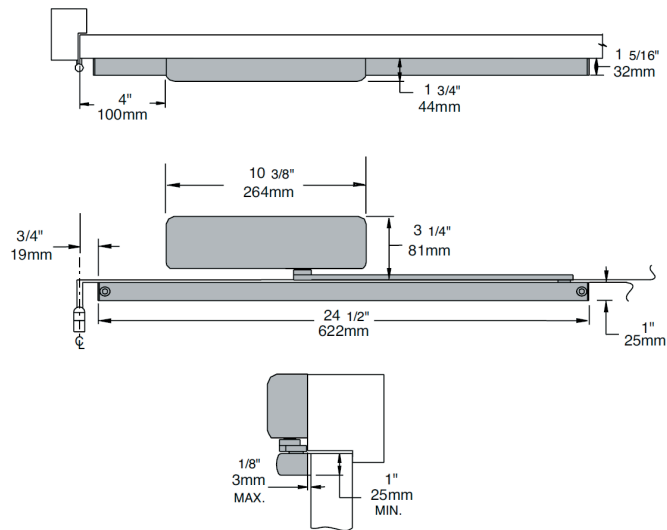
Can be templated for 180°.

Consult factory if door will be held open at 180°.

Hold-open points up to maximum opening with hold-open option.

Please note many track style door closers are capable of allowing 180° of door swing. Be aware the majority of track style closers are at their weakest closing force in the 180°-130° range- consult factory for applications where an exterior or large/heavy door must swing 180°.

- Butt Hinges should not exceed 5" (127 mm) in width.
- Auxiliary Stop is recommended at hold-open point or where the door cannot swing 180°.
- Reveal should not exceed 1/8" (3 mm).
- Top Rail requires 1" (25 mm) minimum.
- Head Frame requires 2-7/8" (73 mm) minimum.



Stop face (push side) mounting

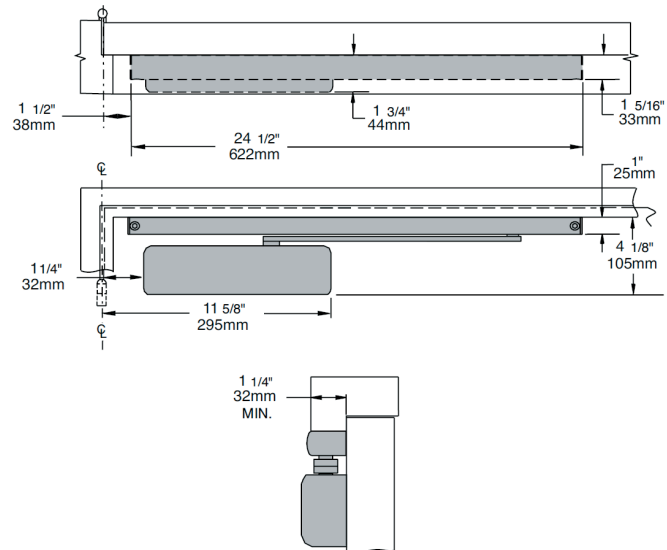
MAXIMUM OPENING

Can be templated for 110°.

Hold-open points up to maximum opening with hold-open option.

Please note that many track style door closers are capable of allowing 180° of door swing. Be aware that the majority of track style closers are at their weakest closing force in the 180° – 130° range. Consult factory for applications where an exterior or large/heavy door must swing 180°.

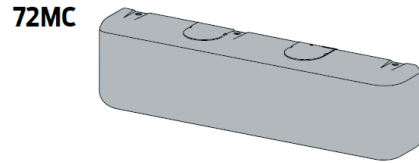
- Butt Hinges should not exceed 5" (127 mm) in width.
- Auxiliary Stop is recommended at hold-open point or where the door cannot swing 110°.
- Reveal should not exceed 1-3/4" (44 mm).
- Top Rail requires 4-1/8" (105 mm) minimum measured from the stop.
- Head Frame minimum 1-1/4" (32 mm).



4031T Series accessories

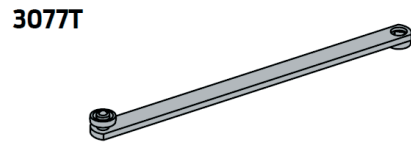
Covers

COVER, 4030T-72MC
Non-handed metal cover.

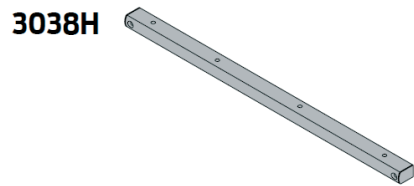


Arms

STANDARD ARM, 4030T-3077T
Non-handed single lever arm mounts hinge side, top jamb or stop face. Track roller included with arm.



STANDARD TRACK, 4030T-3038
Standard, non hold-open, non-handed track mounts on either side of the door. Will accept hold-open clip.



HOLD-OPEN CLIP, 4030T-3054
Mounts in track to provide hold-open function. Hold-open point controlled by clip location.

