



990 N

Nightlatch



Legge's 990 N Nightlatch Mortice Lock has been designed specifically to meet the requirements of the Australasian market. The 990 N is ideally suited for commercial, industrial, institutional and government buildings, where durability and security are of major importance.

The 990 N has a high purity die cast zinc alloy case to provide rigidity and precision. Major internal components are made of either stainless steel or sintered steel/copper alloy to provide durability and strength.



Features

- Simple design allows for key or turn to throw or retract deadbolt in several combinations for all your locking needs
- Standard lock suitable for doors 32mm to 50mm thick. Extended cylinders available to accommodate thicker doors
- A threaded pin is used for secure cylinder retention

Warranties	
Mechanical	30 years
Finish	allegion.co.nz/finisheswarranty

Specification guide

Function	Sub-function	Finish	Backset
Deadlock.....L9D	Nightlatch.....N1(RH)/N2(LH) Communicating door latch.....N3 Cylinder latch.....N5(RH)/N6(LH) Exit door latch.....N7(RH)/N8(LH) Fire door nightlatch.....N9(RH)/N10(LH)	Satin Chrome Plate.....S Special Finishes: Antique Bronze.....A Chrome Plate.....C Oil Rubbed Bronze.....ORB Polished Brass.....P Satin Black Chrome.....SBC Satin Brass.....SB Satin Black Unlacquered.....SBU	60mm.....standard

1. Function
Select the desired function e.g. Nightlatch L9N
2. Sub-function
Select the required sub-function e.g. N1 Right Handed Nightlatch L9N1
3. Finish
Select the desired finish e.g. Satin chrome plate L9N1S

Finishes



ABZ

Antique Bronze



CP

Chrome Plate



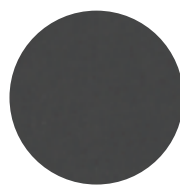
ORB

Oil Rubbed
Bronze



PB

Polished Brass



SBC

Satin Black
Chrome



SB/SBU

Satin Brass/
Unlacquered



SCP

Satin Chrome
Plate

Testing and Compliance



Security:

Rated S8 and SL8 for physical security, SC7-SC8 for cylinder security and K6 for keying security



Corrosion:

Rated C7 for corrosion



Durability:

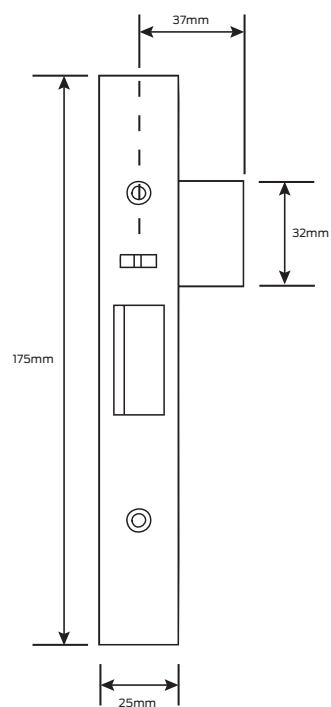
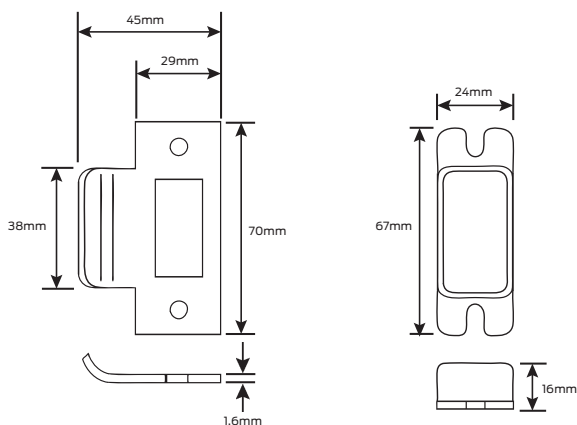
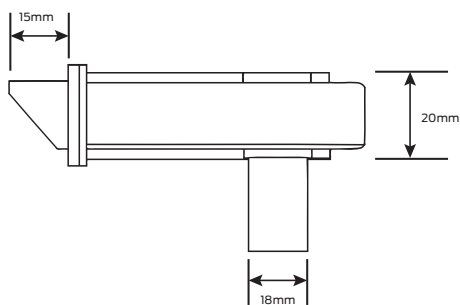
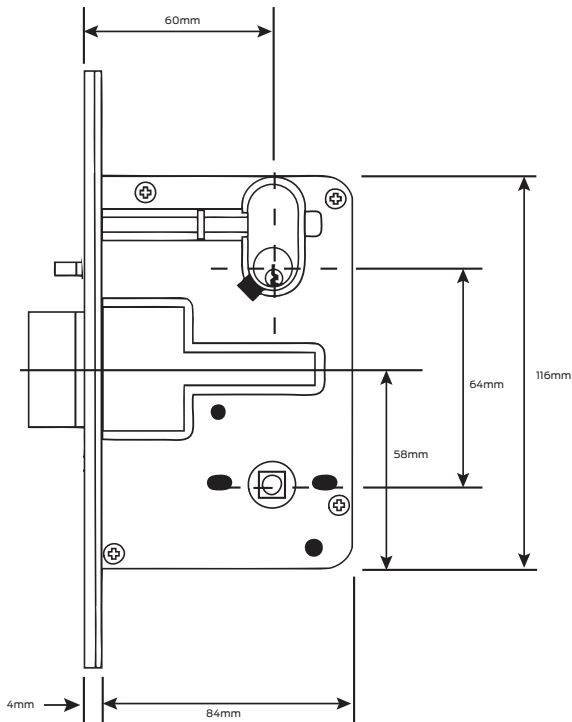
Rated D8 for durability

Legge 990 N Nightlatch

- Latch operated by key or turn
- Automatic deadlocking by closing door
- Hold back by turn

Specifications

Door type	Timber or metal
Door thickness	32mm to 50mm standard. Extended cylinders available to accommodate thicker doors
Lock case	High purity zinc alloy
Outer forend	Stainless steel or brass
Inner forend	Stainless steel
Bolt	One piece sintered stainless steel
Strike plate	Stainless steel or brass
Backset	60mm
Key cylinder	C4 6 pin keyway standard, Schlage C6 pin keyway optional, Schlage E6 pin keyway optional, Schlage Everest D keyway optional



Legge 990 N Nightlatch

Sub-Function

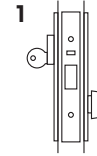
Cams and adaptors

N1 (RH) N2 (LH) - Nightlatch

Outside: Key operates bolt

Inside: Turn operates bolt and hold back function

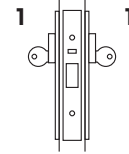
To engage hold back function, manually depress latch, rotate turn towards latch and then release latch



N3 - Communicating door latch

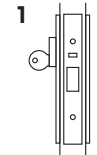
Outside: Key operates bolt

Inside: Key operates bolt



N5 (RH) N6 (LH) - Cylinder latch

Outside: Key operates bolt



N7 (RH) N8 (LH) - Exit door latch

Inside: Turn operates bolt and hold back function

To engage hold back function, manually depress latch, rotate turn towards latch and then release latch

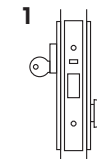


N9 (RH) N10 (LH) - Fire door nightlatch

Outside: Key operates bolt

Inside: Turn operates bolt

No hold back function



Legge 990 N Cams and Cam Adaptors

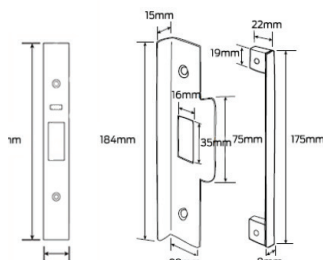


Legge 990 N accessories

R13 Rebate kit for V, C, CD, N Series

This kit adapts latches and strikes for 13mm rebated door preparations

Finishes: Satin Stainless Steel or for special finishes available, refer to page 2



© Allegion 2021. All rights reserved. Material and design specifications subject to change without notice. Product colour reproduction is as near to actual product colour as production methods allow. Warning: Products in this brochure are the subject of registered designs and patents. This brochure relates to Australian and New Zealand products only and some product, design or specifications may differ in other countries.