



# 5300 Marine Series

Door furniture



The Legge 5300 Series narrow stile furniture has been designed for heavy duty commercial applications. This Series is constructed from 316 marine grade stainless steel, making it suitable for both external and internal applications.

It also suits high traffic applications, such as retail educational, government buildings, healthcare, and commercial premises. The narrow plate is ideal for use on narrow aluminium or timber stiles.

316 marine grade stainless steel properties include increased wear resistance, corrosion resistance, and suitability for coastal applications.

## Features

- Constructed of quality components, with **cast 316 grade stainless steel** levers and plates
- The heavy duty spring provides a smooth, fast return action of the lever and eliminates droop extending the life of the furniture
- The handing mechanism of this Series allows the furniture to be handed on site, prior to installation by rotating the lever to the preferred hand and fitting the stop block to secure it's position
- The Alpha lever is AS1428:1-2009 compliant



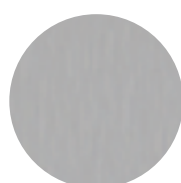
Warranties	
Mechanical	30 years
Finish	<a href="http://allegion.co.nz/finisheswarranty">allegion.co.nz/finisheswarranty</a>

# Specification guide

Brand	Function	Levers	Finish
Legge.....L	refer following pages	Alpha.....29	316 Satin Stainless Steel ..... SSS

- 1. Function**  
Select the desired function e.g. External plate with cylinder ..... L5300/
- 2. Lever**  
Select the required lever design - e.g. Alpha #29 .....L5300/29
- 3. Finish**  
Select the desired finish e.g. Satin stainless steel ..... L5300/29SSS

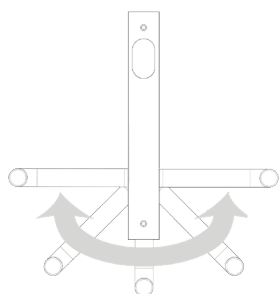
## Finish



**SSS**

Satin Stainless Steel

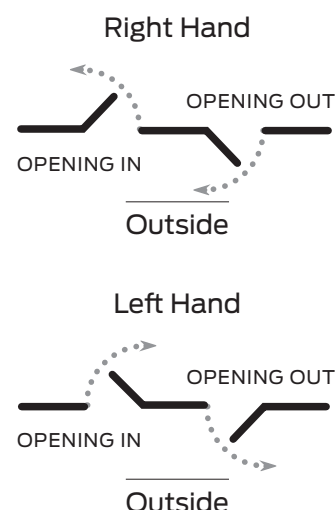
## Lever handing



Handing is as simple as a turn of the handle.

Handing of the lever is as simple as rotating the handle 180° as illustrated. The spring simply needs to be guided into the channel once the handing has been determined.

## Handing guide



## Specifications

Door type	Timber or metal
Door thickness	32mm to 50mm (51mm to 75mm with optional extended screws)
Fixing centres	159mm
Plate height	185mm
Plate width	25mm
Plate thickness	12mm
Lever to cylinder centres	90mm for 995MF mortice lock
Spindle size	7.6mm
Compatible locks/latches	Legge 995MF
Fixing	Back to back. External plates concealed fixing. Screws supplied with exterior plates only. 75mm M4 screw
Materials	Cast 316 grade stainless steel

## Testing and Compliance

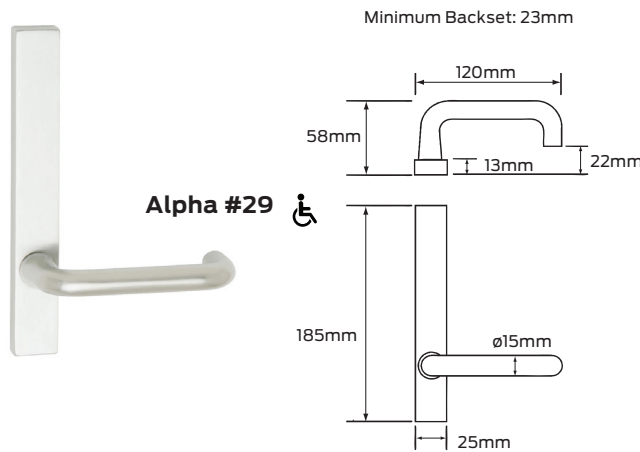


**Accessibility:**  
Compliant to the AS 1428:1-2009 Design for Access and Mobility

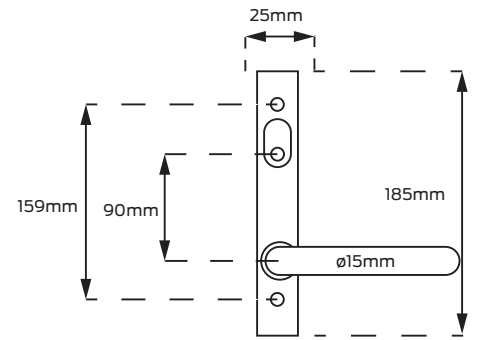
**Caution:**  
When door closers are installed and adjusted to meet reduced opening force requirements, there may be insufficient power to reliably close and latch the door, depending on prevailing operating conditions.

**Note:**  
In areas of high wind pressure and/or air conditioning pressures, the LCN Automatic Door Operators are recommended.

## Lever dimensions



## Plate dimensions for 995MF



## Plate function options - External plates



## Plate function options - Internal plates



## Legend

Turn snib		Accessible Turn	
Cylinder hole		AS1428:1 2009 Compliant	
Emergency button		Deontes handed lever	