



VE1260

Eco Drop Bolt



The patented EcoLock VE1260 is a high torque motor driven Drop Bolt with up to 35kg pre-load/side load tolerance. It can be installed vertically in the door frame (lock style) or horizontally in the frame header and has a symmetric dead-bolt mechanism to allow to be used on 180° degree swing through doors.

The VE1260 is considered a “Green Product” as it consumes an inrush current of 290mA@12VDC only during locking and unlocking action (Active Mode), then in the locked or unlocked state (Sleep Mode), the Drop Bolt consumes current less than 15mA@12VDC.

A series of additional Strike Plates allow for door misalignment of up to ± 12 mm and a retrofit version of the FSH Eco Lock is available to suit the PADDE/TRIMEC ES8000 drop bolt footprint.

We recommend to operate the product in 3-Wire-Mode (see installation manual). An optional LED red/green indicator unit is available.

Features

- Releases with up to 35kg of Pre-Load/Side Load (3-wire mode)
- Motorised locking device
- Durability tested to 400,000 cycles
- Multi voltage from 12 to 30VDC
- Sleep-Mode Current less than 15mA@12VDC
- Fully monitored including Reed Switch for door position
- Up to 1000kg Holding Strength
- Retrofit version for Trimec/PADDE ES8000 (VE1260S Square Edge Version)

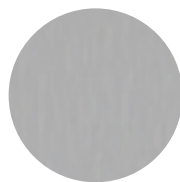


Warranties	
Mechanical	5 years
Finish	allegion.co.nz/finisheswarranty
Electronic	1 year

Technical specifications

Hardware Specification	
Part Number	VE1260
Certifications / Approvals	CE C-Tick
Function	Mortice Mount, power-to-lock/power-to-release field interchangeable, up to 35kg of Pre-Load capability
Holding Strength	Up to 1000kg
Voltage / Current	Multi Voltage 12-30VDC Active Mode: Locking/Unlocking cycle current is 0.29A to 0.85A depending on the side load. More side load = more current. Sleep-Mode: After locking/unlocking the current drops down to ~0.015A (15mA)
Monitoring	Lock Status Sensor of the internal locking mechanism Door Status Sensor Built-in Reed Switch, monitoring the door position
Environmental	Operational Temperature Range -20° to +60°C
Maximum Door Gap	8mm
Door Misalignment	Standard Strike Plate ±4mm Special Strike Plate up to ±12mm
VE1260R	EcoLock Pre-Load Drop Bolt 25mm Face Plate including 27mm Strike Plate ROUND END to cater for ±4mm door misalignment
VE1260S	EcoLock Pre-Load Drop Bolt 30mm Face Plate including 27mm Strike Plate SQUARE END to cater for ±4mm door misalignment (PADDE ES8000 Replacement)
Minimum Door Thickness	35mm

Finish



SSS

Satin Stainless
Steel

VE1260 Accessories

Part no.	Product Description
VE1260-FR	Glass Door Box for VE1260R Lock (includes adaptor, lock not included)
VE1260GL-DO12	Glass Door Box to cater for ±12mm door misalignment (includes ST12 faceplate)
VE1260S-ST6	Strike Plate 31mm for VE1260 Series to cater for ±6mm door misalignment minimum Door Thickness 35mm SQUARE EDGE
VE1260S-ST9	Strike Plate 35mm for VE1260 Series to cater for ±9mm door misalignment minimum Door Thickness 40mm SQUARE EDGE
VE1260S-ST12	Strike Plate 40mm for VE1260 Series to cater for ±12mm door misalignment minimum Door Thickness 50mm SQUARE EDGE

Testing and Compliance



Fire:

Tested to 4 hour on fire door assemblies as specified in AS/NZ 1905.1 – 1997 Part 1 Fire Resistant Doorsets

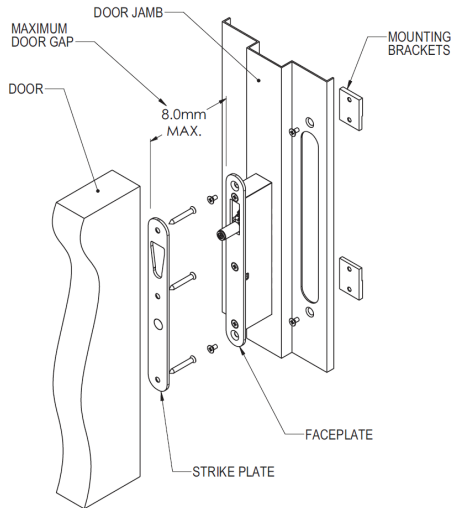


Durability:

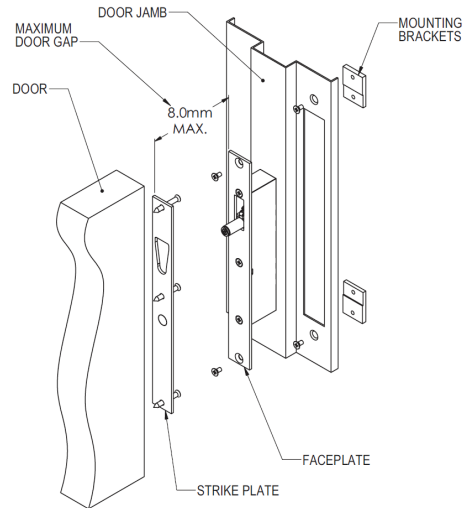
Conforms to S3* (Security) and D3 (Durability) Australian Lock Standard (AS4145.2 : 1993)

VE1260 Product Dimensions and Installation

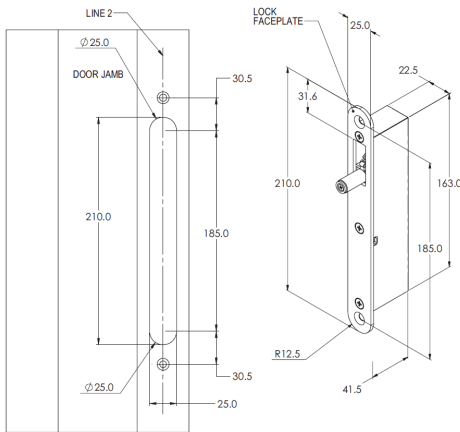
VE1260R Round Edge



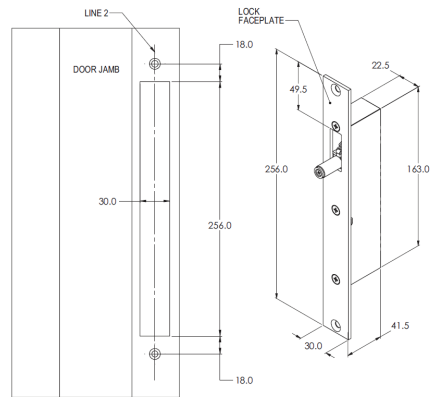
VE1260S Square Edge



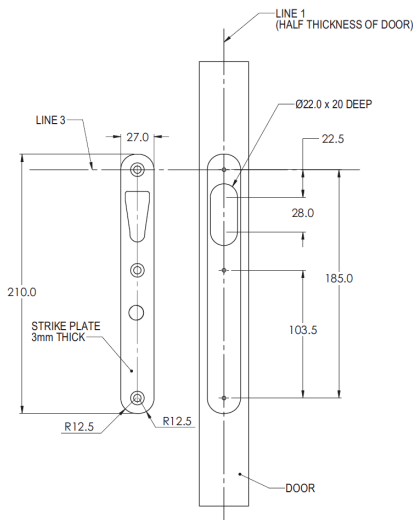
Locking Device VE1260R Round Edge



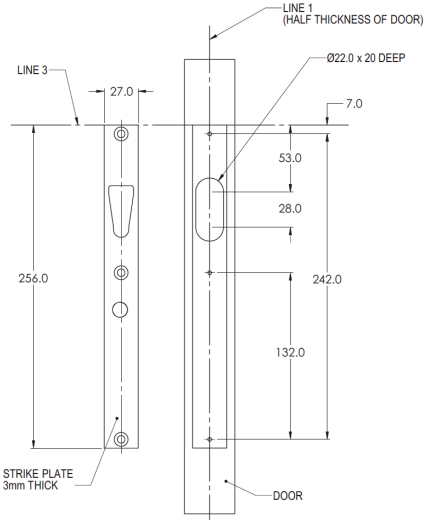
Locking Device VE1260S Square Edge



Strike Plate VE1260R Round Edge

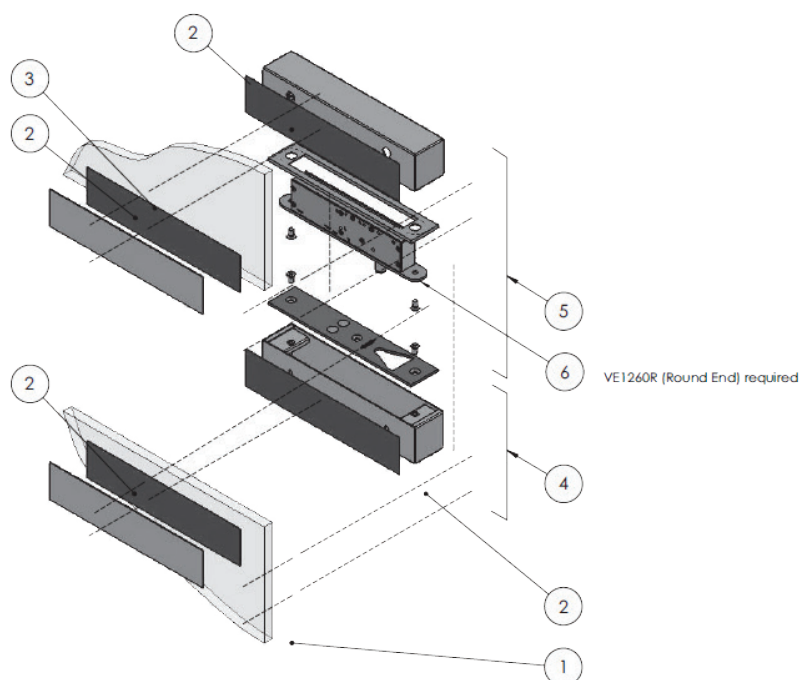
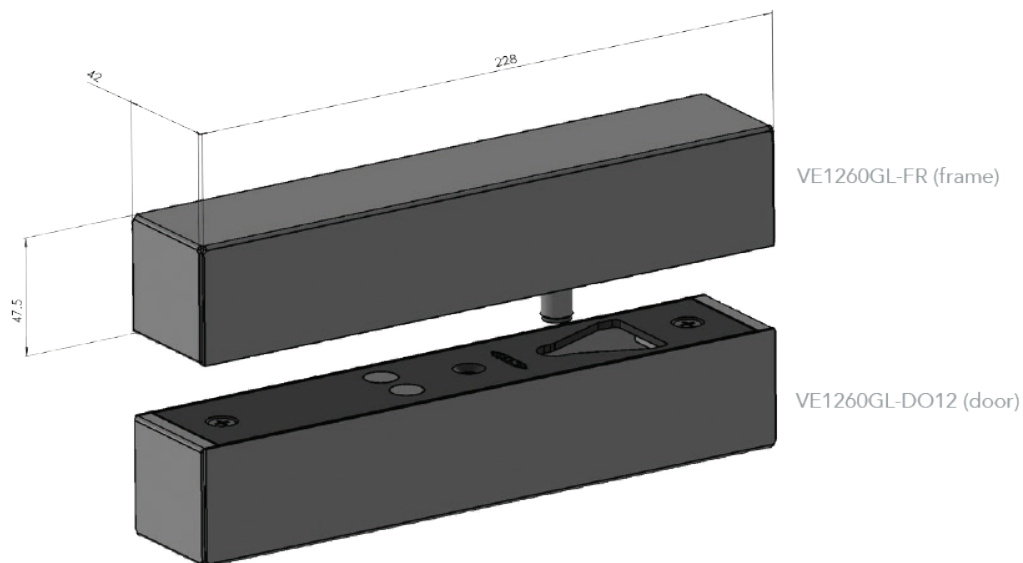


Strike Plate VE1260S Square Edge



VE1260 Glass Door Mounting Boxes

Glass Door Mounting Boxes



Item No.	Part No.	Description	Qty.
1		Glass door	1
2	Supplied by others	3M VHB adhesive tape no. 4910	4
3		Glass header	1
4	VE1260GL-DO12	VE1260R Glass door mount - door kit	1
5	VE1260GL-FR	VE1260R Glass door mount - frame kit	1
6	VE1260R	Pre-load drop bolt	1