



# 5400 Series

Door furniture



The 5400 Series narrow stile furniture is designed for use in commercial applications, including exterior and interior doors for retail/shop front, educational, governmental, medical and public buildings. The narrow plate is ideal for use on narrow timber or aluminium stiles.

With a range of modern and contemporary lever designs, the 5400 Series will complement any décor. The handing mechanism of this series allows the furniture to be handed on site, by simply rotating the handle in the preferred direction of use prior to installing on the door .

## Features

- Constructed of commercial grade quality components including forged brass handles and extruded brass plates
- Heavy duty compression spring provides a smooth, positive return action of the lever and eliminates droop, extending the life of the product
- Symmetrically designed levers are able to be handed on site within seconds, with a simple 180° rotation of the lever in the preferred direction of use prior to installation.
- Designed for use with Legge 995 narrow stile mortice locks, the 5400 Series can also be supplied to suit Legge 990MF mortice locks



Warranties	
Mechanical	30 years
Finish	<a href="http://allegion.co.nz/finisheswarranty">allegion.co.nz/finisheswarranty</a>

# Specification guide

Function	Lever	Finish
refer following pages	refer following pages	Antique bronze .....A Chrome plate ..... C Oil rubbed bronze ..... ORB Polished brass ..... P Polished brass unlacquered ..... PU Satin chrome plate ..... S Satin black chrome ..... SBC Satin brass ..... SB Satin brass unlacquered ..... SBU

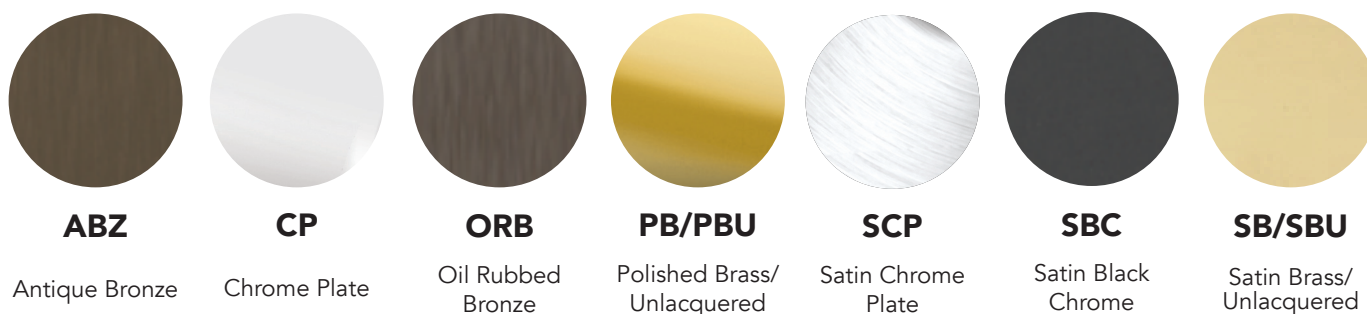
**1. Function**  
Select the desired function e.g. External plate with cylinder ..... 5400/

**2. Lever**  
Select the required lever design - e.g. Alpha #29 ..... 5400/29

**3. Finish**  
Select the desired finish e.g. Satin chrome plate ..... 5400/29S

**Note:** For furniture to suit 990MF locks add M to specification guide after function - Applies to functions; External 00, 04, 10, 14, Internal 01, 03, 11, 13

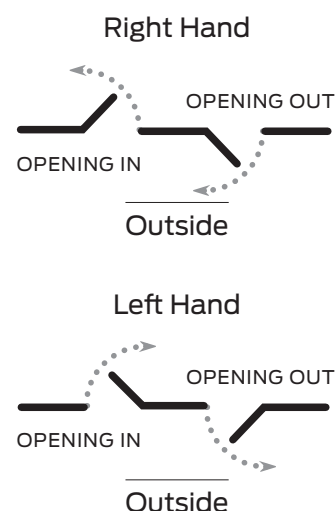
## Finishes



## Specifications

<b>Door type</b>	Timber or metal
<b>Door thickness</b>	32mm to 50mm (51mm to 75mm with optional extended screws)
<b>Fixing centres</b>	159mm
<b>Plate height</b>	185mm
<b>Plate width</b>	25mm
<b>Plate thickness</b>	12mm
<b>Lever to cylinder centres</b>	90mm for 995MF mortice lock and 69mm for 990MF mortice lock
<b>Spindle size</b>	7.6mm
<b>Compatible locks/latches</b>	Legge 995MF and Legge 990MF Series mortice locks
<b>Fixing</b>	Back to back. External plates concealed fixing. Screws supplied with exterior plates only. 75mm M4 screw
<b>Materials</b>	Levers — forged & extruded brass Plate — extruded brass

## Handing guide



## Testing and Compliance



**Fire Rating:**

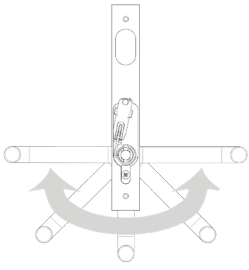
Successfully tested on fire door assemblies in accordance with AS1905 Part1: Fire resistance doorsets. Check with fire door manufacturer prior to installation.



**Accessibility:**

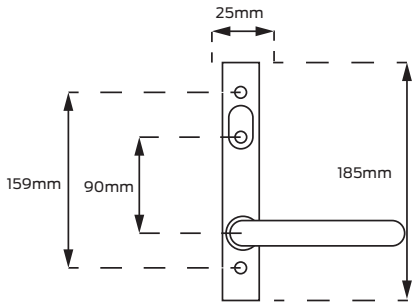
Compliant to the AS 1428:1-2009 Design for Access and Mobility

# Lever handing

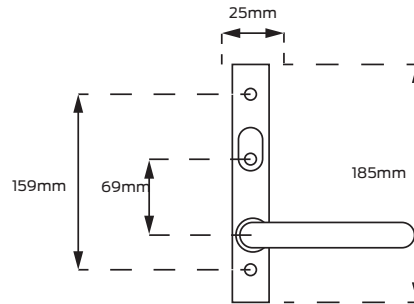


Handing of the lever is a simple operation: rotate the lever to the desired handing and then guide the spring mechanism into the channel.

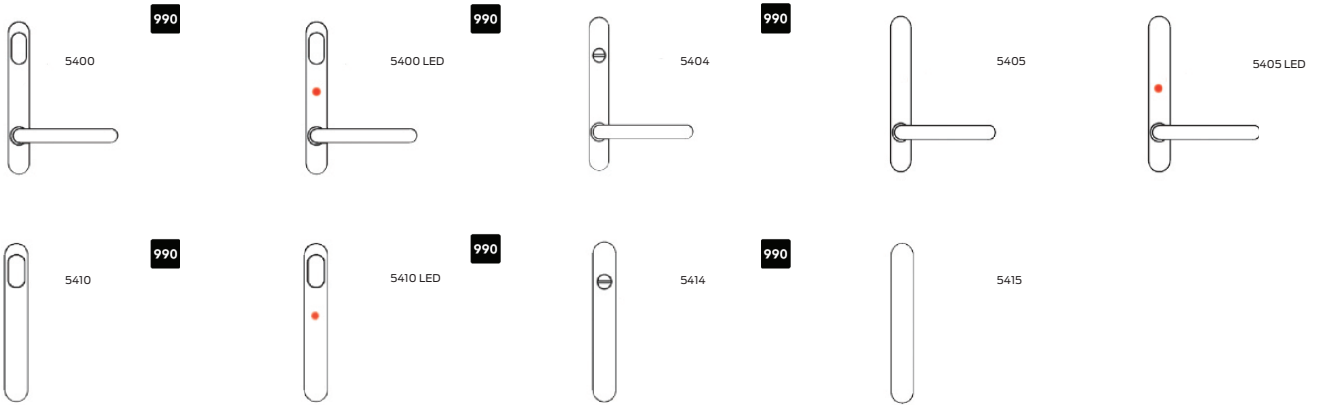
## Plate dimensions for 995MF



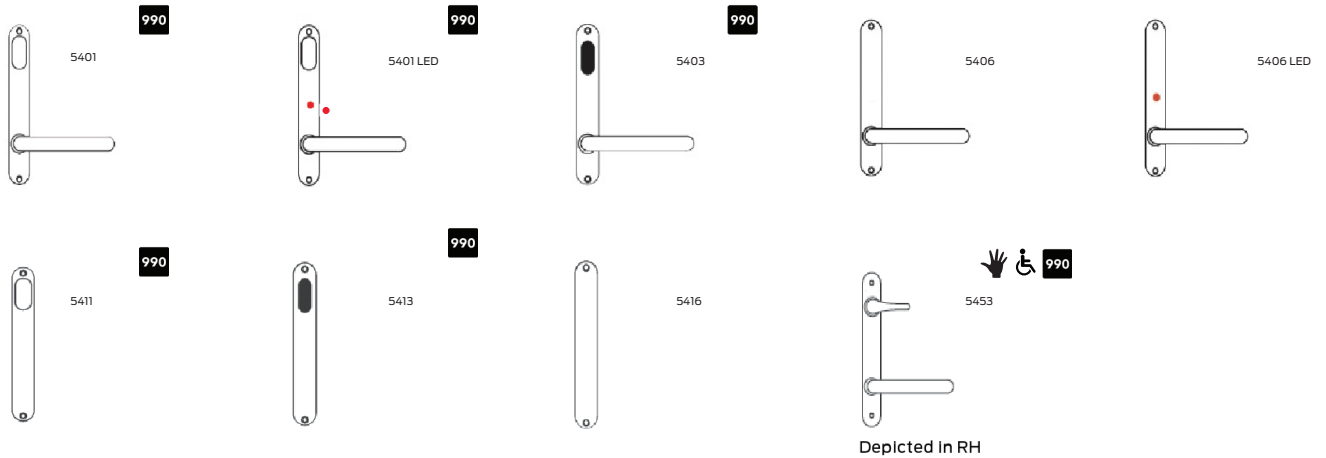
## Plate dimensions for 990MF











## Plate function options - External plates



## Plate function options - Internal plates



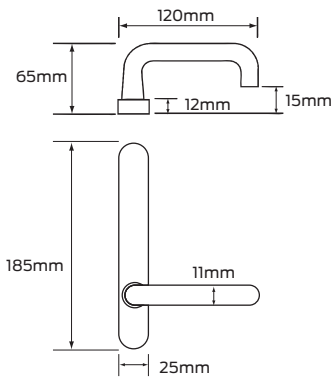
## Legend

- Turn snib  LED
- Cylinder hole  LED
- Emergency button  ASI428:1 2009 Compliant
-  Denotes handed lever
-  990 Variant available
- 
- 
- 

# Legge 5400 Series levers

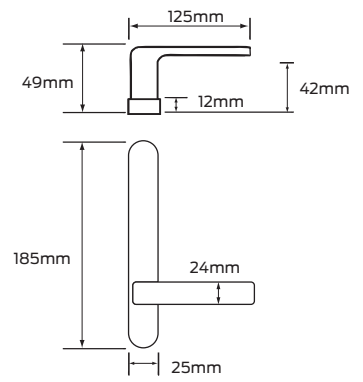
**Alpha #29**

Minimum Backset: 23mm



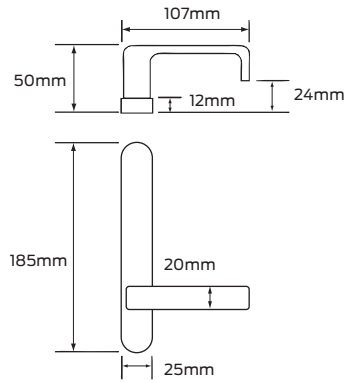
**Angelo #57**

Minimum Backset: 30mm



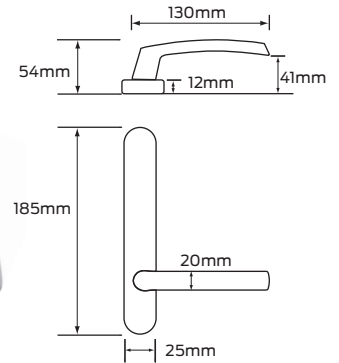
**Bergen**

Minimum Backset: 30mm



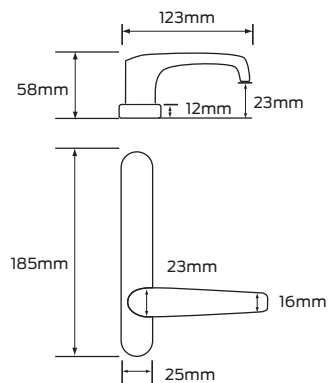
**Cisa #59**

Minimum Backset: 23mm



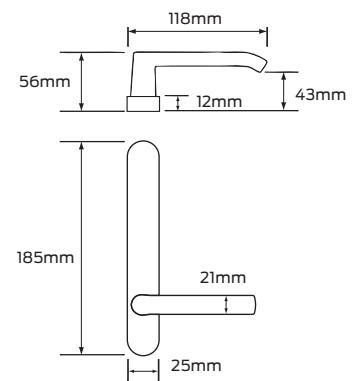
**Ergo #62**

Minimum Backset: 30mm



**Leonardo #12**

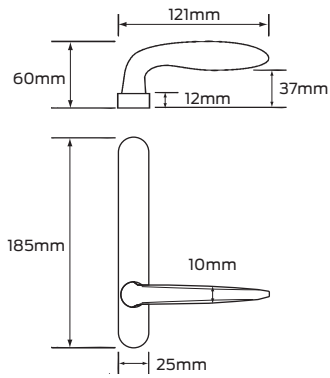
Minimum Backset: 30mm



# Legge 5400 Series levers

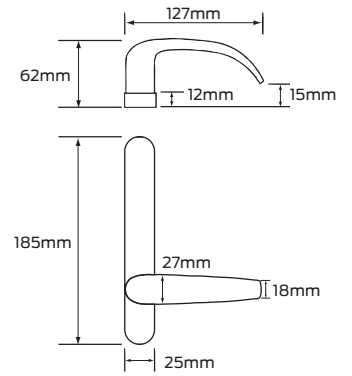
## Monet #50

Minimum Backset: 23mm



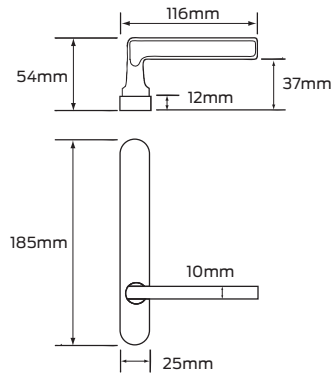
## Neptune

Minimum Backset: 30mm



## Renoir #52

Minimum Backset: 30mm



## Rubens #56

Minimum Backset: 38mm

