

### Applications

Brio's Open Round Rail Timber Top Fix is an ideal internal system for residential and commercial applications of timber panels with exposed hangers and rail.

The easy to install hangers are 304 stainless steel with precision bearings.

### Panel Specification

**Track System:**

For Individual Panels:

Max Panel Height  
Max Panel Width  
Max Panel Weight  
Panel Thickness

**Open Round Rail Timber Top Fix100**

3000mm  
2000mm  
100kg  
35-44mm

### Standard Packs

Packs include hangers, door stops, guide, handle, brackets and fixings

**Pack No.**

ORT100  
ORT100PR

**Finish**

Stainless Steel  
PVD Black

### Hardware Specification

**Track:**

Material  
Standard lengths  
Finishes

100OR  
Stainless Steel  
2000mm, 2500mm, 3000mm and 4000mm  
Stainless Steel and PVD Black (except 4000mm)

**Guides:**

Stainless precision bearing  
Nylon spring loaded guide

106E/94  
108N/814

**Channels:**

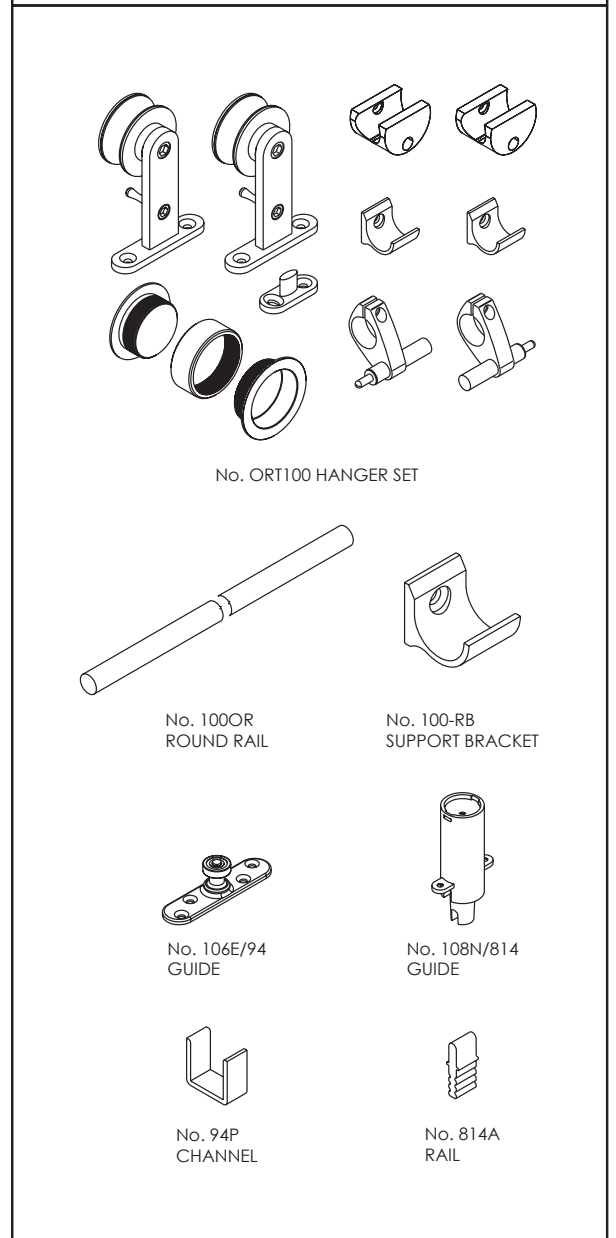
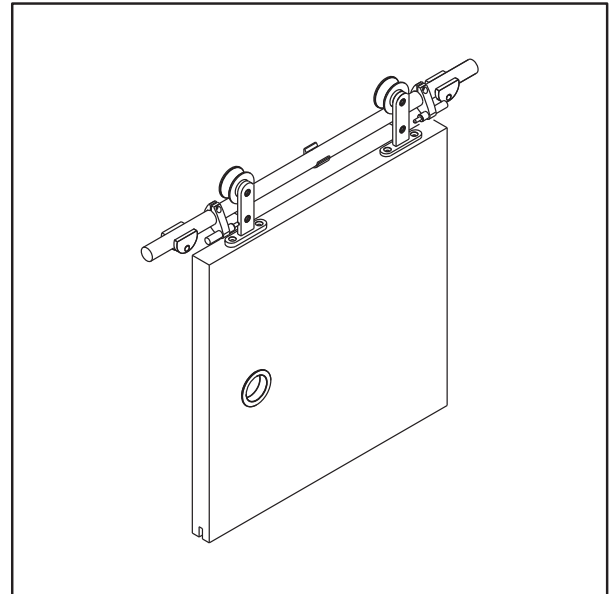
Polypropylene  
Aluminium & Polypropylene  
Aluminium  
Standard lengths

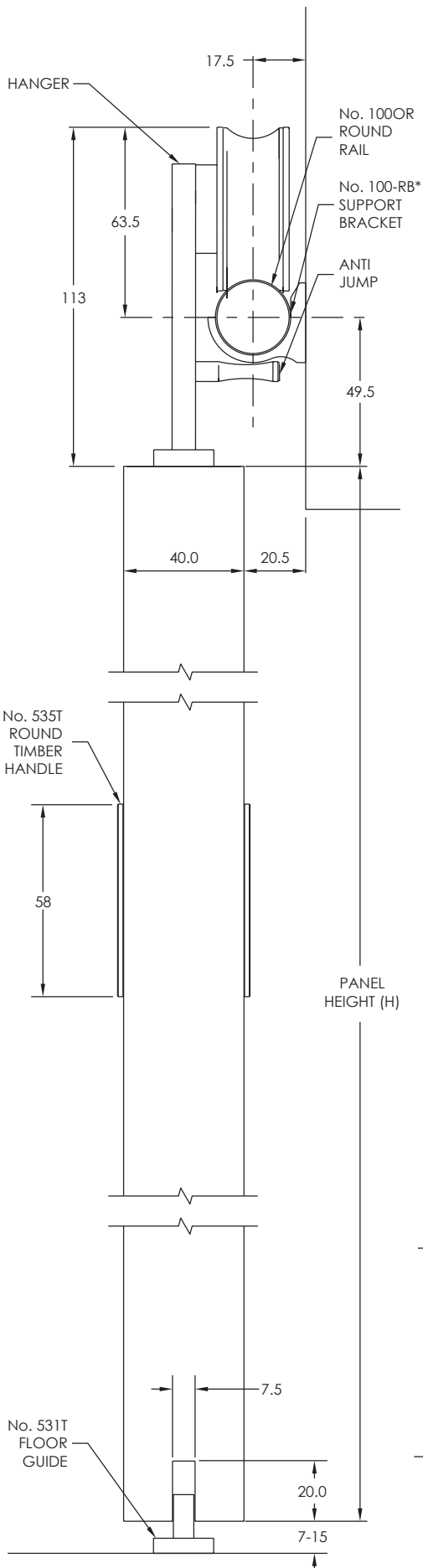
94P Black  
94PPA Mill or clear anodised  
814A Aluminium Rail Mill or clear anodised  
2000mm, 3000mm, 4000mm and 6000mm

**Support Bracket:**

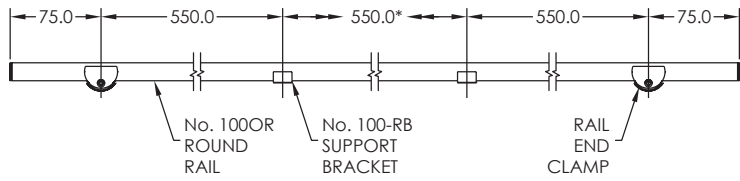
Support bracket

100-RB or 100-RBPR



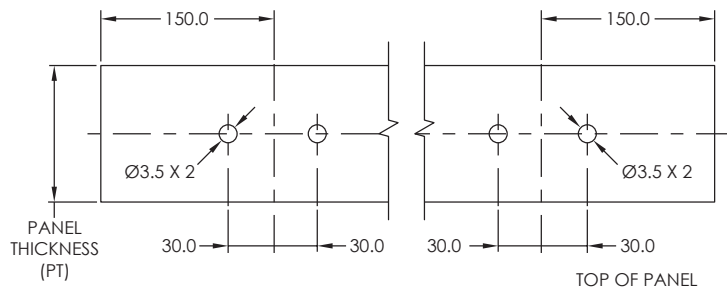


### BRACKET PLACEMENT

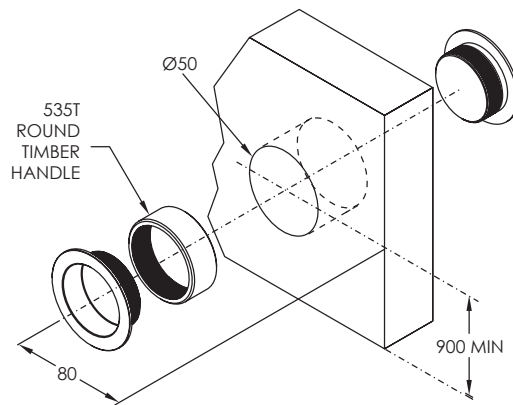


RAIL LENGTH	*ADDITIONAL No. 100-RB REQUIRED
2500mm	1
3000mm	2
4000mm	4

### PANEL PREPARATION HANGERS



### ROUND TIMBER HANDLE



### OPTIONAL GUIDES

