



Privacy Plus

Lock System



Great design should simplify the complex. Legge Privacy Plus offers a simple solution for the often complicated task of managing access to one room via multiple doorways. This electronic locking system is capable of enabling four different levels of privacy and security from one controller.

Whether the system is configured to Standard Privacy, Secure Privacy, Air Lock or Man Trap, will be dependent on the desired degree of privacy, security and the needs of varying facilities.

Combined with renowned Legge electric mortice locks and door furniture, the Legge Privacy Plus Electronic Locking System presents a high performing, aesthetically pleasing option for any commercial environment with multiple access challenges.

Features

- If a door is left open the LED will start to flash to notify occupants.
- Power supply (12 volt 1 amp) is supplied with the controller.
- Controller is Australian made.
- Controller Pack includes 2 x 7.5m cables to connect locks to controller.
- All switches, locks, power transfer and cabling are supplied for easier purchasing and project management.



Warranties	
Mechanical	10 years
Finish	allegion.co.nz/finisheswarranty
Electronic	1 years

Specification Guide

Privacy Plus Door Control Unit LPP	Complete Kits Standard Privacy..... STDP Secure Plus..... SECP Air Lock..... ALP Man Trap MTP	Door Furniture with LED refer Door Furniture
--	--	--

- Complete kits include privacy plus controller, two FEL990 electric mortice locks, two power transfer devices and the selected switch kit
- Select switch kit
Select the desired function e.g. Standard Privacy LPPSTDP
- Order your levers
Select two sets of the required lever design with LED - e.g. Legge 700 Series Alpha lever external cylinder LED concealed outside / visible inside AND Legge 700 Series Alpha lever internal plain 2 x LA702LEDS AND 2 x LA712LEDS

Specifications

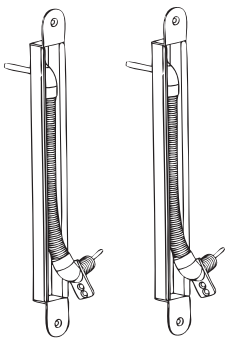
Specifications	
Door Type	Timber

Kit components

IRT881 Power Transfer

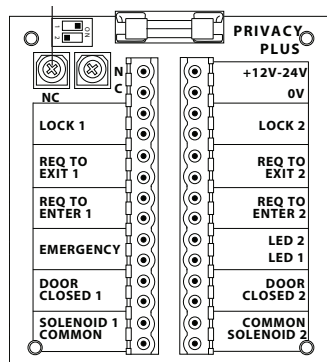
This kit provides a means of transferring electrical power from a door frame to the edge of a swinging door.

Finishes: Satin Stainless Steel.



Privacy Plus Controller

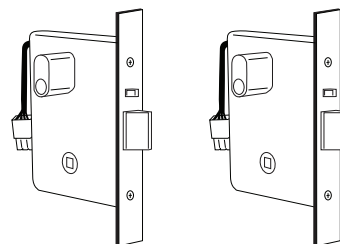
The Privacy Plus Controller enables the wiring and programming of all of the components in the system.



FEL990 Electric Mortice Lock

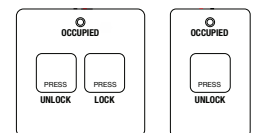
The FEL990 is easy to configure and provides comprehensive programming and monitoring options.

Finishes: Satin Chrome Plate (standard) or special finishes available (optional).



Switch Kits

Below is an example of two types of switches from the switch kits.



Testing and Compliance



Fire Rating:

Successfully tested on fire door assemblies in accordance with AS1905 Part1: Fire resistance doorsets. Check with fire door manufacturer prior to installation.



Accessibility:

Compliant to the AS 1428:1-2009 Design for Access and Mobility

Caution:

When door closers are installed and adjusted to meet reduced opening force requirements, there may be insufficient power to reliably close and latch the door, depending on prevailing operating conditions.

Note:

In areas of high wind pressure and/or air conditioning pressures, the LCN Automatic Door Operators are recommended.

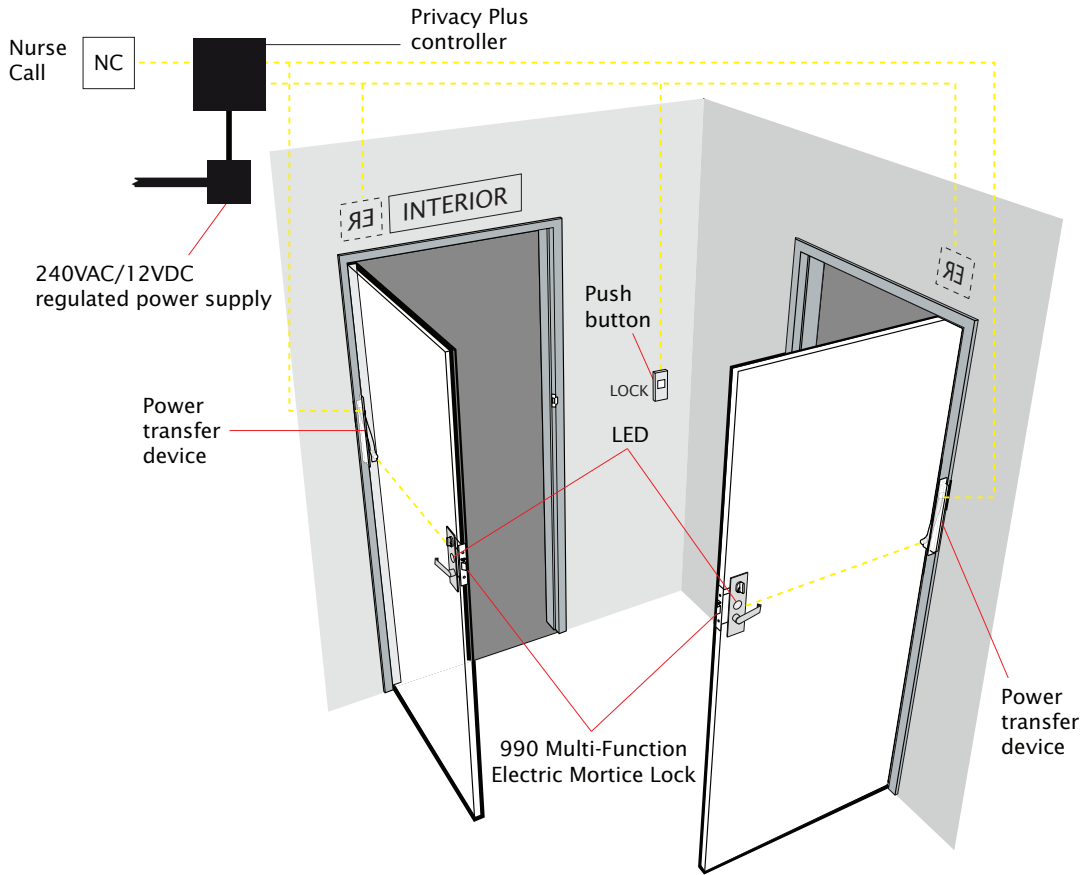
Comparison chart

Configuration	Suitable Applications	Prior to Entry	Locking Scenario	Unlocking Scenario	Activation	Advantages
Standard Privacy	<ul style="list-style-type: none"> Sound studios Conference rooms Bathrooms 	Doors are unlocked when room is vacant. LED's are green.	Upon push of switch from inside, all doors lock.	Upon operation of any inside door lever all doors unlock. Exit can be made through either door.	Push Button/ Lever handle	<ul style="list-style-type: none"> Automated privacy Simple operation Others sharing a room have access (when room is not occupied)
Secure Privacy	<ul style="list-style-type: none"> Shared ensuites in hotels, hospitals and aged care facilities 	Doors are locked when room is vacant. LED's are red.	Upon push of switch from outside, the one door unlocks. Upon push of switch from inside, the door entered through locks.	Upon push of unlock switch, the door entered from will open. Once closed the door will automatically lock again.	Push Button	<ul style="list-style-type: none"> Inter-room travel is prevented to provide an extra level of security Automated privacy Simple operation
Air Lock	<ul style="list-style-type: none"> Operating Rooms Research and scientific labs Darkroom studios 	Doors are unlocked when both doors are in closed position. LED's are green.	Opening either door via lever handle will allow access and simultaneously lock the other door creating an air lock.	Closing the open door resets the system and both doors are unlocked.	Lever Handle	<ul style="list-style-type: none"> Air lock is created as the second door is disabled during operation of first door. Nothing can pass through one door while the other is open. Automated privacy and security
Man Trap	<ul style="list-style-type: none"> High Security Facilities Cash handling Scientific Laboratories 	Doors are locked on both sides. LED's are red.	Upon push of switch from outside, the one door unlocks. Whilst the door is opened, the other door remains locked and cannot be unlocked by the outside switch.	Closing the open door resets the system and both doors are locked.	Push Button	<ul style="list-style-type: none"> Man trap is created as the second door is disabled during operation of first door. No one can enter or exit room while the other door is open. Automated security

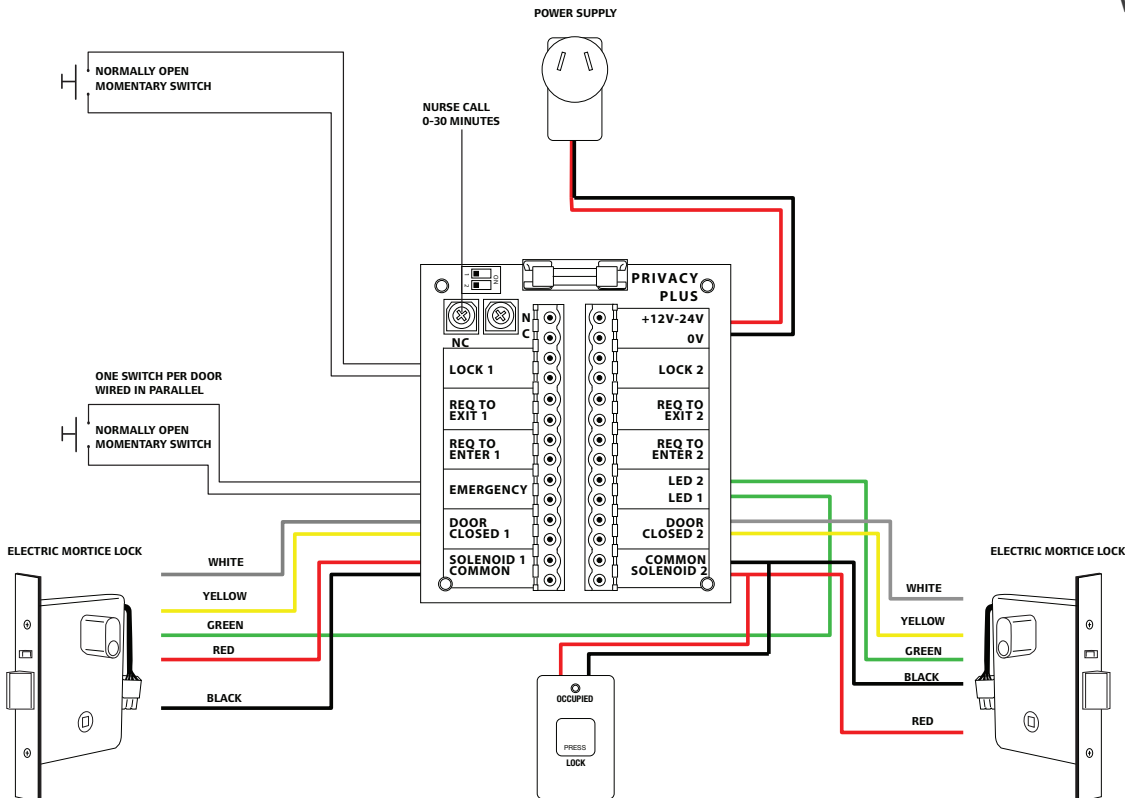
Standard Privacy

This locking control system ensures that when a room with multiple doorways is entered via one door and locked from the inside that both doors are locked externally. Also included is the capability to set up an alarm for monitoring purposes of a locked time lapse.

Configuration



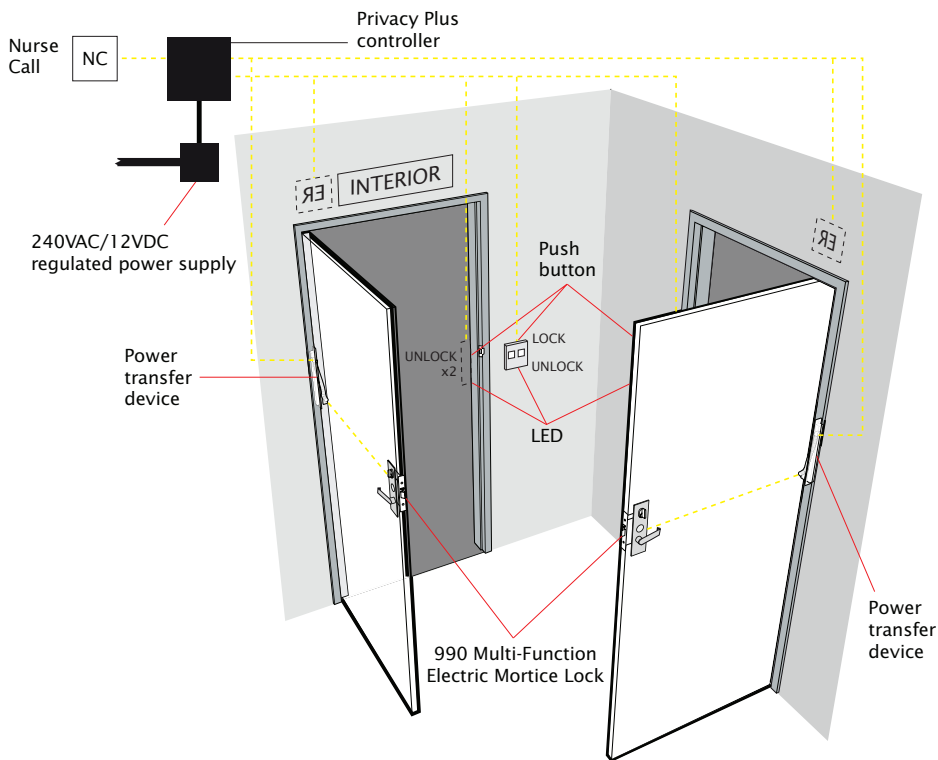
Wiring Diagram



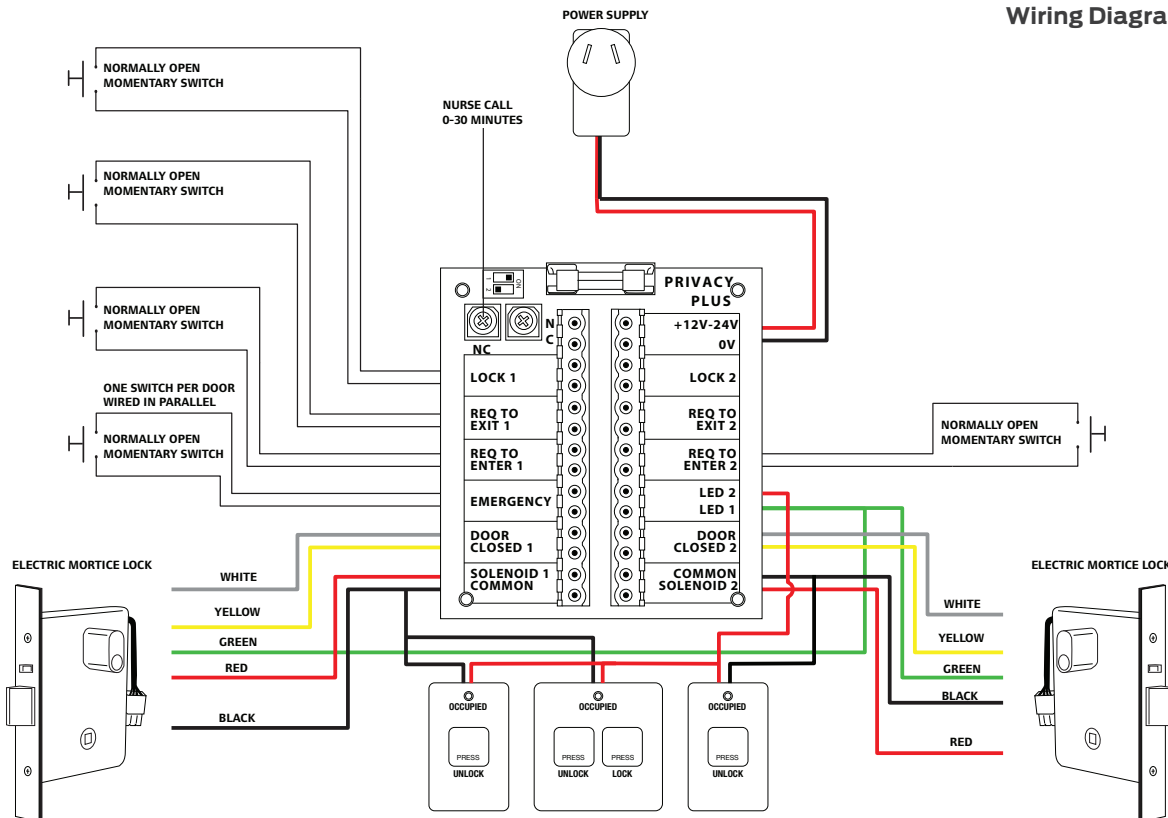
Secure Privacy

When the room is vacant, all doors are locked and all furniture LED's are red. Occupants can only exit via the door they originally entered, eliminating interroom travel. Also included with this unit is the capability to set up an alarm to alert security or care givers if an occupant has been in the room longer than a designated time.

Configuration



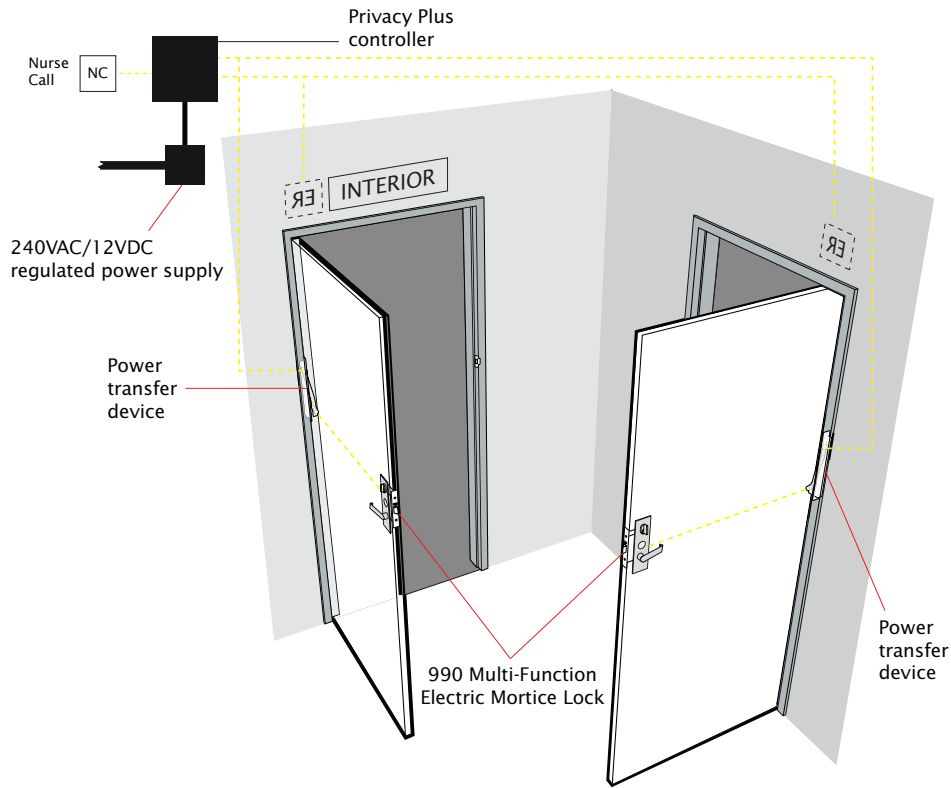
Wiring Diagram



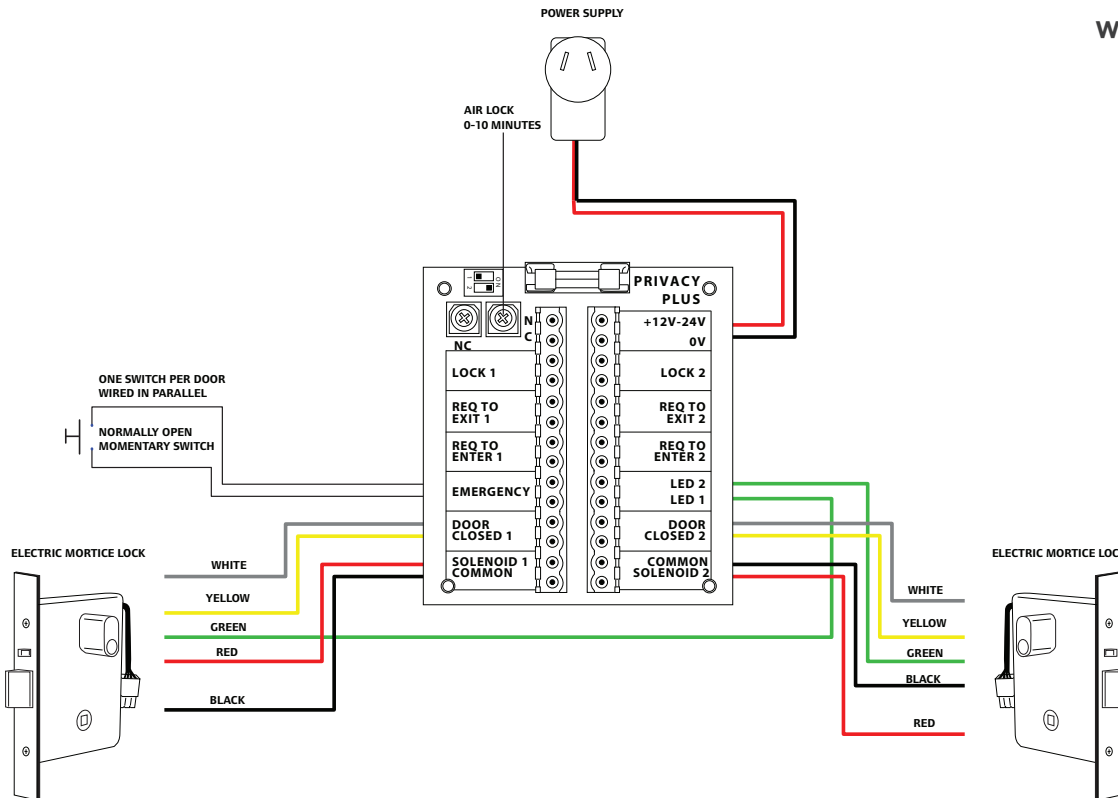
Air Lock

The Air Lock Privacy Plus system is ideal for operating rooms, research and scientific type laboratories. This locking control system ensures that either door is operable until one is opened ceasing access through the other until the first is closed.

Configuration



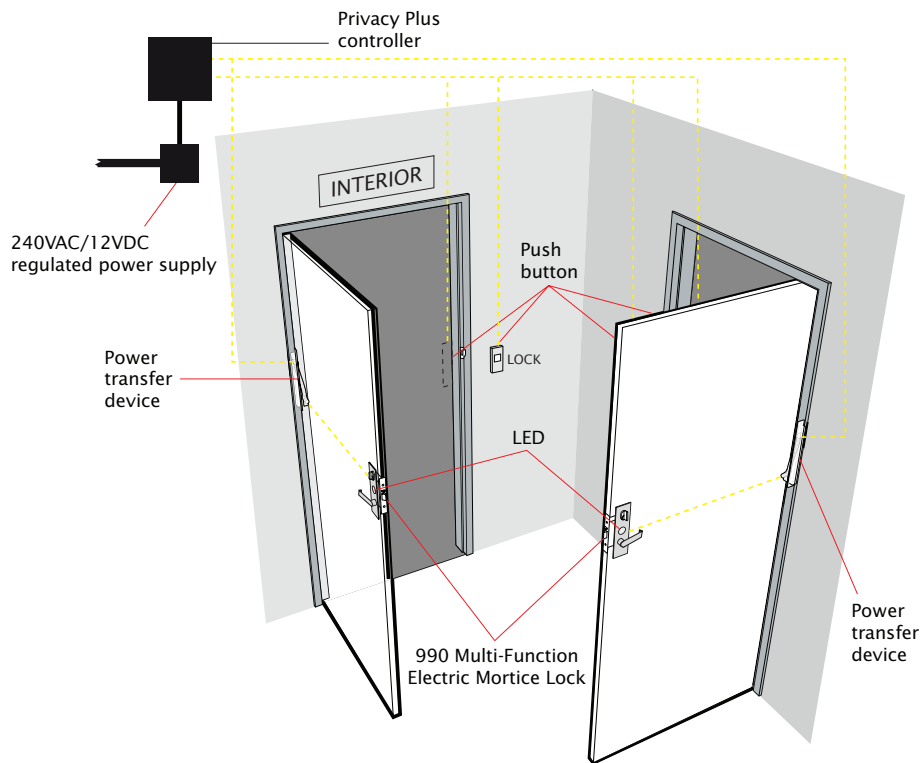
Wiring Diagram



Man Trap

Man Trap Privacy Plus locking system is ideally suited for high security facilities, research and scientific laboratories, and cash handling facilities. This locking control system ensures that when a door is entered, all other doors are locked. A time delay is then enforced before another door is opened.

Configuration



Wiring Diagram

