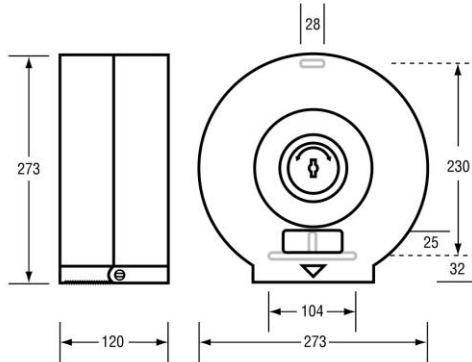




**HL862 – SURFACE MOUNT ABS JUMBO TOILET ROLL DISPENSER**

**MATERIAL SPECIFICATION & INSTALLATION GUIDE**



**MATERIAL SPECIFICATIONS / FEATURES:**

Composite Plastic (abs) Body / Lockable, Hinge Down Housing

**DIMENSIONS**

Overall - 273mm W x 273mm H x 120mm D

Capacity - 250M L x 108mm W, 2 or 3 Ply “Jumbo” Toilet Tissue Roll

**INSTALLATION GUIDE**

1. May be subject to NZ Building Code Regulations for height/location fixing and/or subject to placement as per architectural drawings, which in all cases is the responsibility of the installer re compliance.
2. Unlock with key provided, locate and mark height on wall and mark using 3 internal fixing holes, ensuring unit is level and even. Measure/Check Twice ... Drill Once
3. Drill holes and loosely secure unit to wall surface using appropriate screws/wall plugs
4. Check level and tighten fasteners, then lock with key.

*These units should be installed by a competent tradesperson and Hale Manufacturing Ltd takes no responsibility for any damage to walls or fixtures due to incorrect installation.*

The photographs and line drawings of the products presented above are representational only. Hale Manufacturing reserves the right to, and does from time to time, make changes and improvements in design and dimension.

**[www.haleman.co.nz](http://www.haleman.co.nz)**

**WELLINGTON** TELEPHONE +64 4 568 7035 FACSIMILE +64 4 568 4829 EMAIL [halewgtm@xtra.co.nz](mailto:halewgtm@xtra.co.nz)  
71-73 Port Road, Seaview, PO Box 38059, Wellington Mail Centre 5045

**AUCKLAND** TELEPHONE +64 9 573 5999 FACSIMILE +64 9 573 5979 EMAIL [haleak@haleman.co.nz](mailto:haleak@haleman.co.nz)  
1 Monahan Road, Mt Wellington, PO Box 58115, Greenmount, Auckland 2141

since **1953**