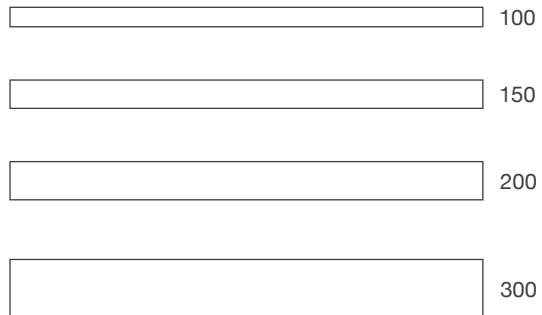
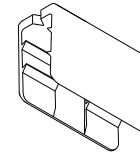


# dbFin™ Installation Guide

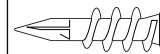
## FIN BAFFLES



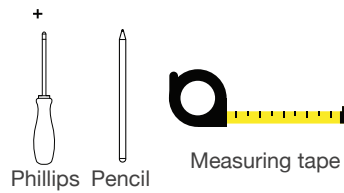
## FINLOCK MOUNT



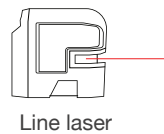
## SCREWS



## NOT INCLUDED

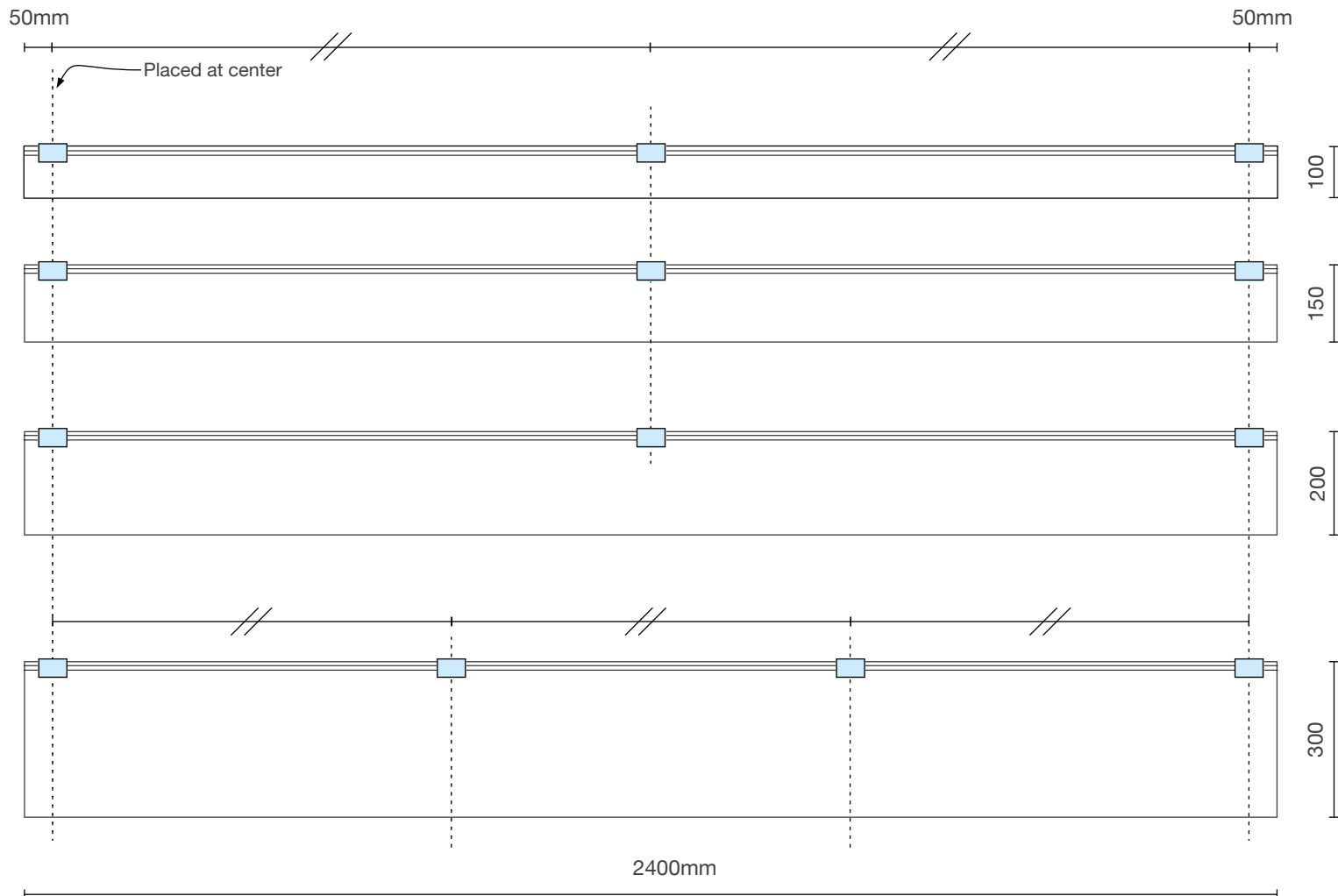


2 x person  
assembly  
recommended



2 x ladder  
recommended

# dbFin™ Installation Guide



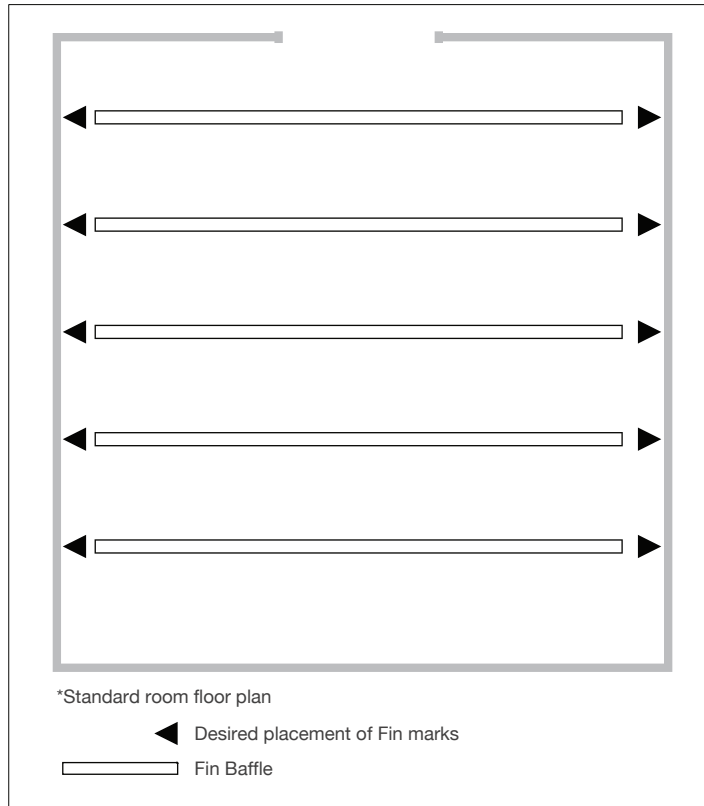
## Finlock placement

100mm-200mm	3 x FinLocks™
200mm	4 x FinLocks™

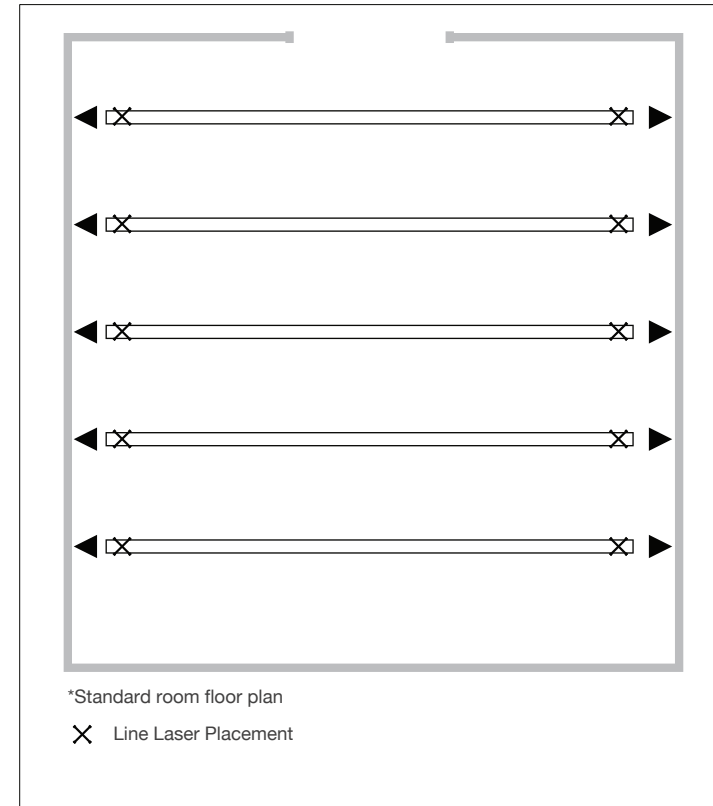
Inner placement of Finlock distributed evenly



# dbFin™ Installation Guide



- 1 Measuring centre to centre, mark the desired placement of Fin baffles on floor.



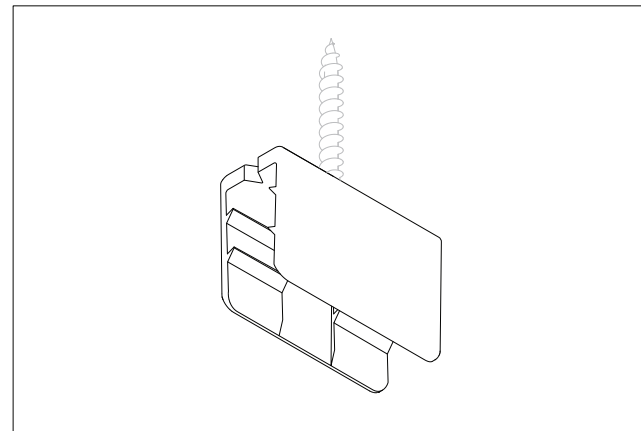
- 2 Place Line laser at one end of where Fin-Lock clip would be (See Page 2 for dimensions), projecting laser onto ceiling.



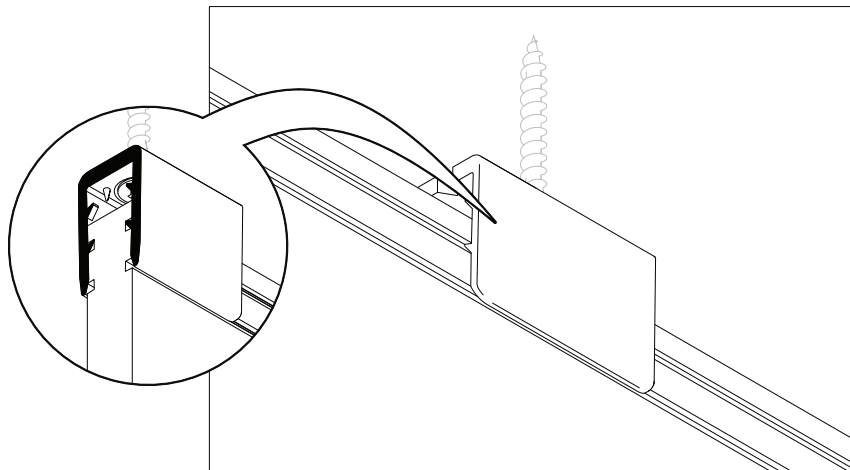
# dbFin™ Installation Guide



- 3** Mark mounting spots on ceiling, take care to ensure they are in a straight line.



- 4** Using appropriate anchor, screw all Finlock mounting brackets to ceiling at designated spots. Use the notches on the finLock to align with laser, take care not to over tighten.



- 5** Insert acoustic fin into FinLock mounting bracket engaging first rib, the acoustic fin will be held securely and will allow for lateral alignment.



- 6** Once in the correct position, press Fin up to engage the second rib and Fin will be securely locked in place via inner spikes.

