



FORENO.

NORTH Chrome Bath Spout NRT91CH



TECHNICAL DETAILS

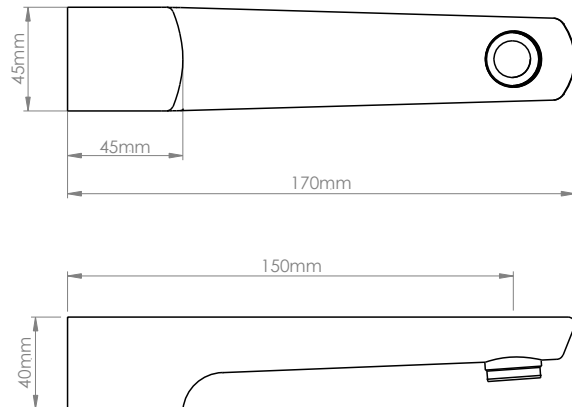
1/2" (15mm) Inlet

All Pressures

Max. Pressure 500kpa

Min. Pressure 35kpa

Max. Temp 65deg.C



FINISH

CODE

CHROME

NRT91CH