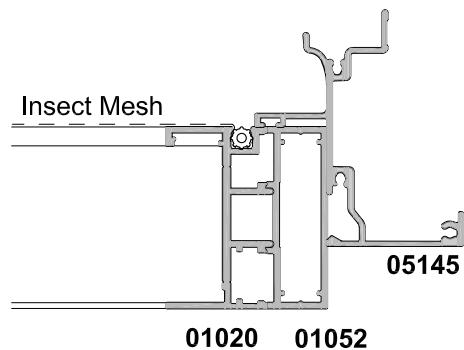


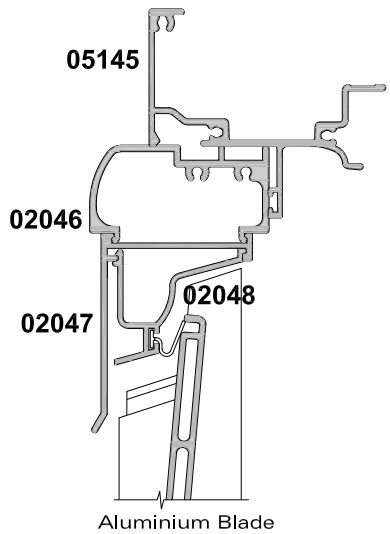
JAMB DETAIL



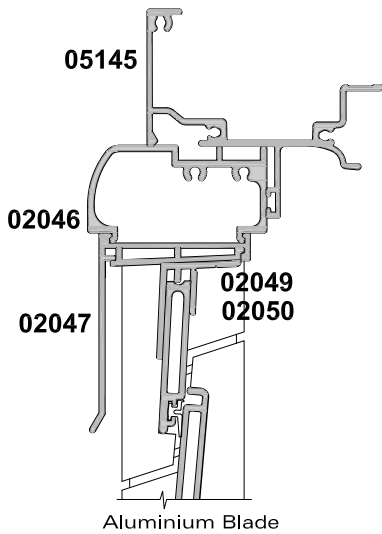
JAMB DETAIL

ALTAIR LOUVRES
HORIZONTAL & VERTICAL DETAILS WITH MULLIONS
CROSS SECTION

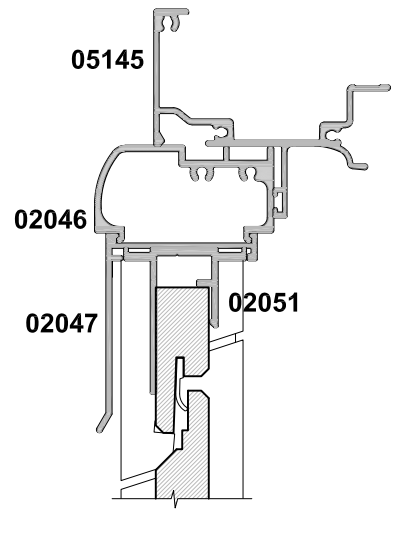
Date 18.03.21 Scale 1:2



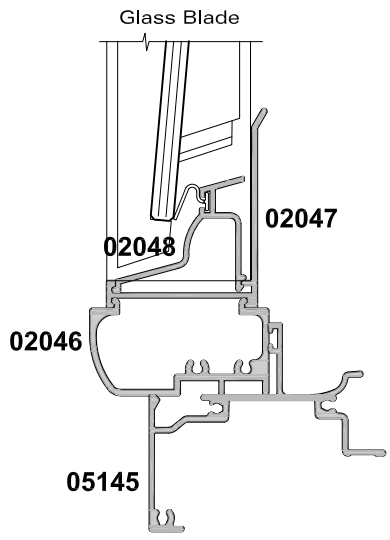
Aluminium Blade



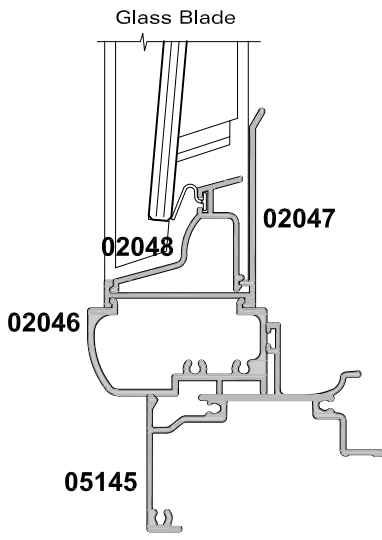
Aluminium Blade



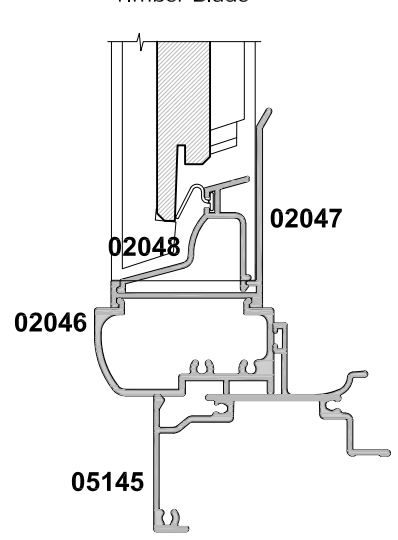
Timber Blade



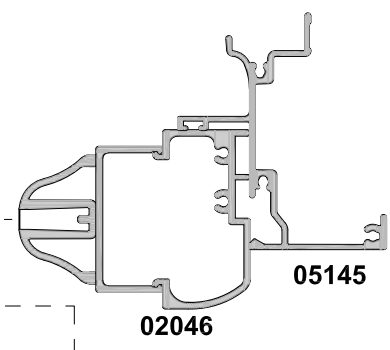
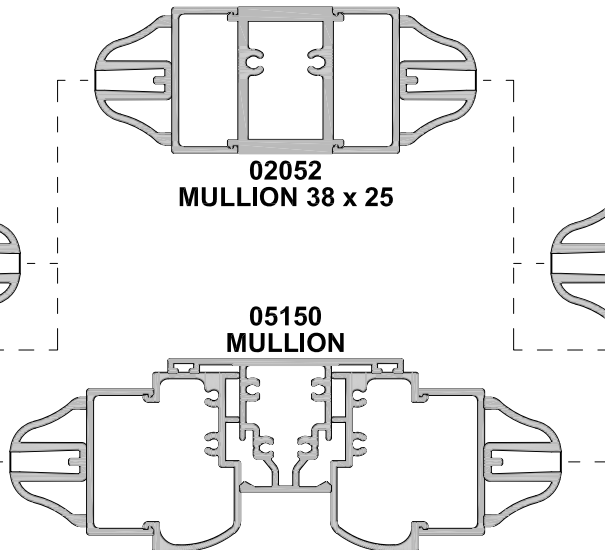
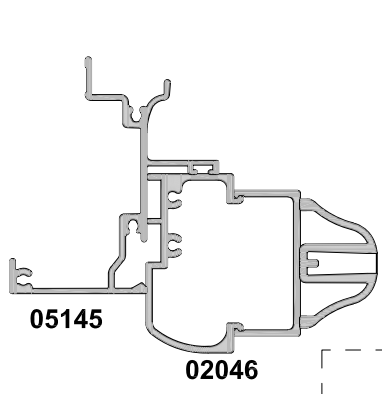
GLASS, ALUMINIUM & TIMBER BLADES
STANDARD JAMB HEIGHT



GLASS & ALUMINIUM BLADES
NON-STANDARD JAMB HEIGHT



TIMBER BLADES
NON-STANDARD JAMB HEIGHT



SPECIFICATION

| STANDARD LOUVRE JAMB HEIGHTS | | | | |
|------------------------------|-------------------------|-----------------|-------------------------|-----------------|
| Number Of Blades | Louvre Jamb Height (mm) | Box Height (mm) | Louvre Jamb Height (mm) | Box Height (mm) |
| | 102mm Blades | 102mm Blades | 152mm Blades | 152mm Blades |
| 2 | - | - | 320 | 412 |
| 3 | 310 | 402 | 460 | 552 |
| 4 | 400 | 492 | 600 | 692 |
| 5 | 490 | 582 | 740 | 832 |
| 6 | 580 | 672 | 880 | 972 |
| 7 | 670 | 762 | 1020 | 1112 |
| 8 | 760 | 852 | 1160 | 1252 |
| 9 | 850 | 942 | 1300 | 1392 |
| 10 | 940 | 1032 | 1440 | 1532 |
| 11 | 1030 | 1122 | 1580 | 1672 |
| 12 | 1120 | 1212 | 1720 | 1812 |
| 13 | 1210 | 1302 | 1860 | 1952 |
| 14 | 1300 | 1392 | 2000 | 2092 |
| 15 | 1390 | 1482 | 2140 | 2232 |
| 16 | 1480 | 1572 | 2280 | 2372 |
| 17 | 1570 | 1662 | 2420 | 2512 |
| 18 | 1660 | 1752 | 2560 | 2652 |
| 19 | 1750 | 1842 | 2700 | 2792 |
| 20 | 1840 | 1932 | 2840 | 2932 |
| 21 | 1930 | 2022 | 2980 | 3072 |
| 22 | 2020 | 2112 | - | - |
| 23 | 2110 | 2202 | - | - |
| 24 | 2200 | 2292 | - | - |
| 25 | 2290 | 2382 | - | - |
| 26 | 2380 | 2472 | - | - |
| 27 | 2470 | 2562 | - | - |
| 28 | 2560 | 2652 | - | - |
| 29 | 2650 | 2742 | - | - |
| 30 | 2740 | 2832 | - | - |
| 31 | 2830 | 2922 | - | - |
| 32 | 2920 | 3012 | - | - |
| 33 | 3010 | 3102 | - | - |

| NEW ZEALAND PRODUCT PERFORMANCE WARRANTY | | | | |
|--|-------------------------|-------------------|----------------------|-------------------|
| | Low & Medium Wind Zones | | High Wind Zones | |
| 152mm Altair Louvre | Max Span (mm) | Max Blades | Max Span (mm) | Max Blades |
| 152mm Glass Blade (toughened and annealed) | 900 | 21 | 700 | 17 |
| 152mm Aluminium Blade | 600 | 17 | 450 | 17 |
| 152mm Timber Blade | 600 | 17 | 450 | 17 |
| 102mm Altair Louvre | Max Span (mm) | Max Blades | Max Span (mm) | Max Blades |
| 102mm Glass Blade (toughened and annealed) | 750 | 33 | 700 | 27 |
| 102mm Aluminium Blade | 600 | 27 | 450 | 27 |
| 102mm Timber Blade | 600 | 27 | 450 | 27 |
| | Max Span (mm) | | Max Span (mm) | |
| 38 x 25mm Mullion 02052 | 1800 | | 1500 | |
| There is no warranty on standard Altair louvres in any wind zone greater than High | | | | |
| 38 x 25mm Mullion 02052 | 1800 | | 1500 | |

ALTAIR LOUVRES
01042 FRAME

CROSS SECTION

Date 18.03.21 Scale 1:2

