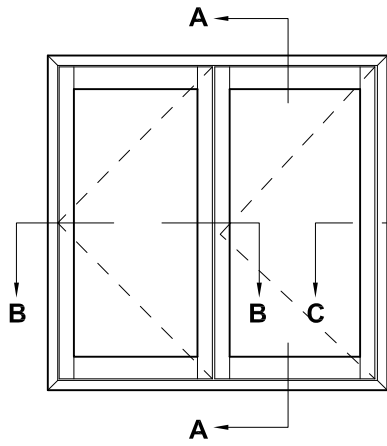
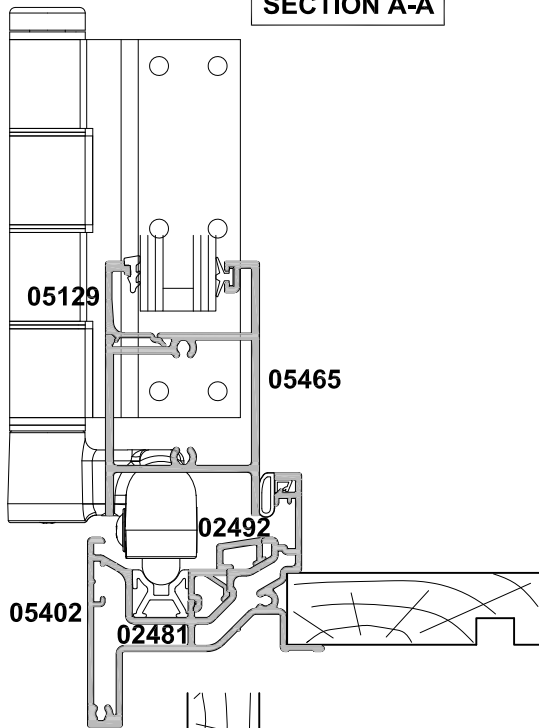
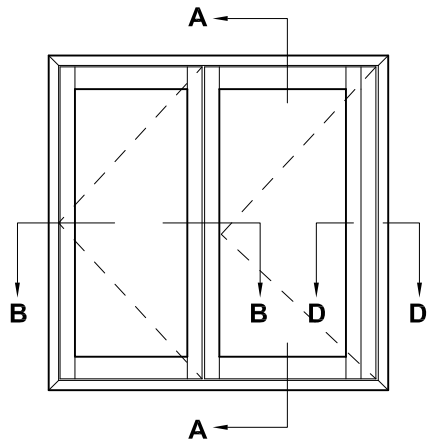


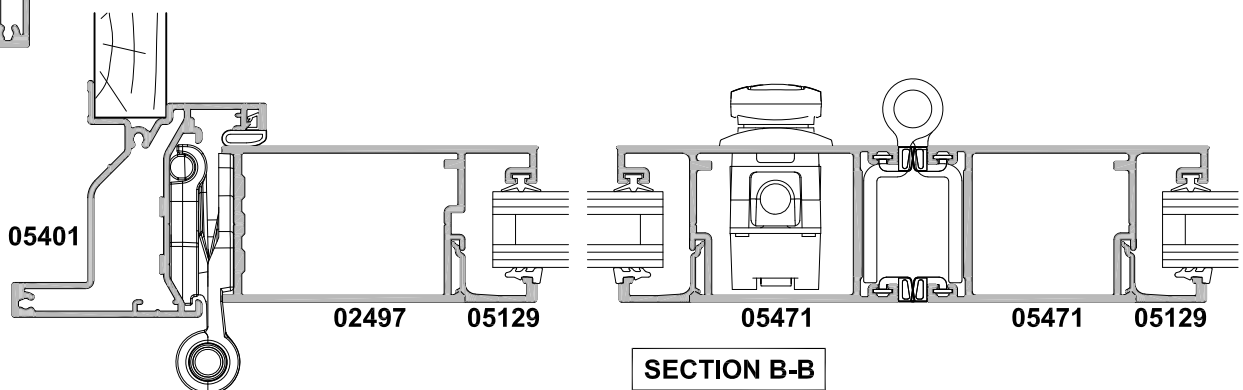
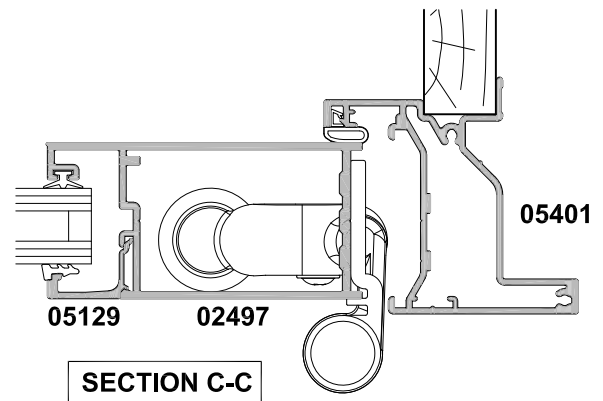
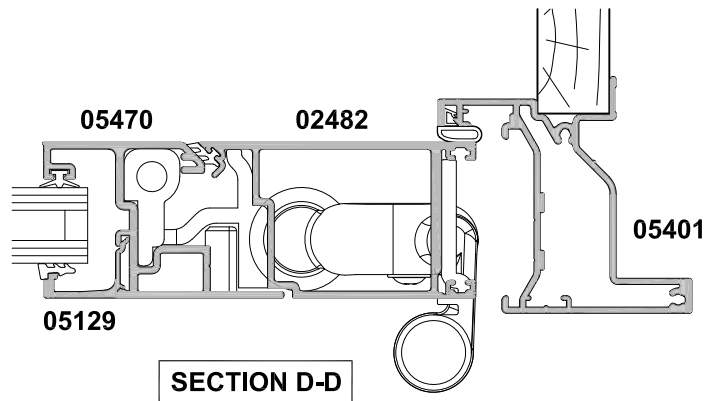
SECTION A-A

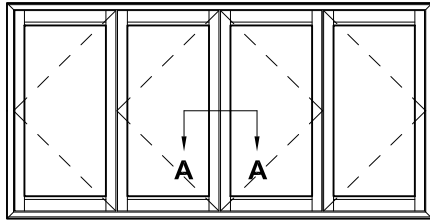


STANDARD BI-FOLD

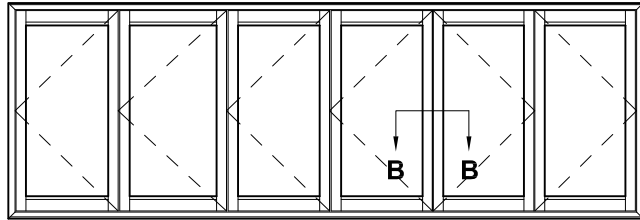


LAY-BACK OPTION

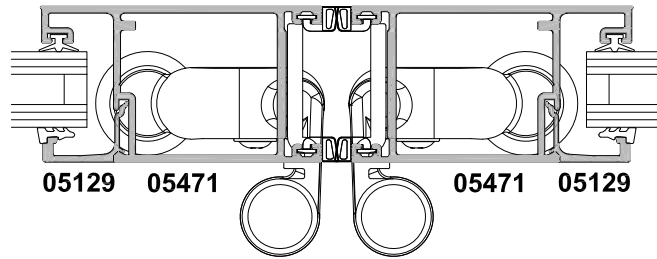




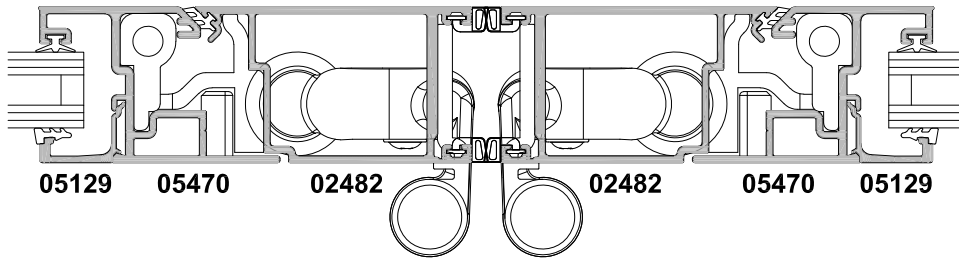
2 + 2 Panel



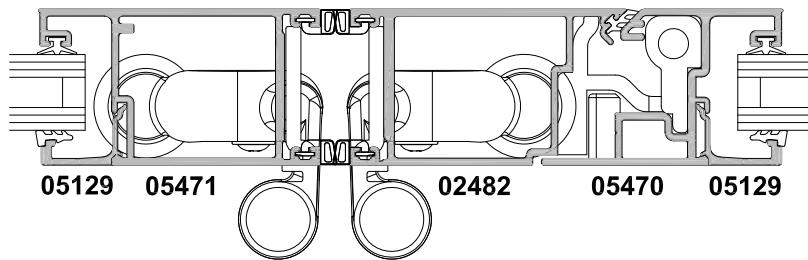
4 + 2 Panel



SECTION A-A & B-B
STANDARD PANELS



SECTION A-A
LAY-BACK OPTION



SECTION B-B
LAY-BACK OPTION ON TWO PANEL SIDE ONLY