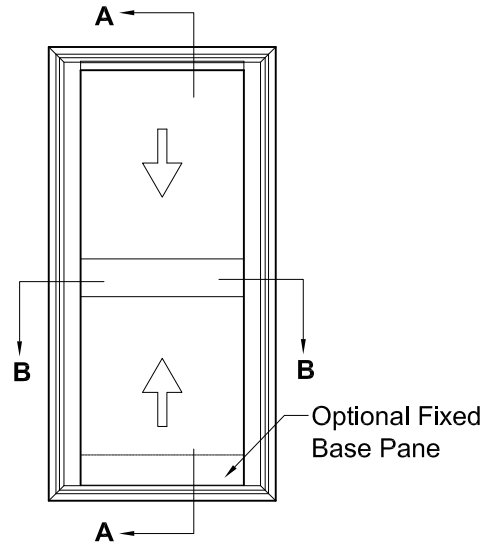
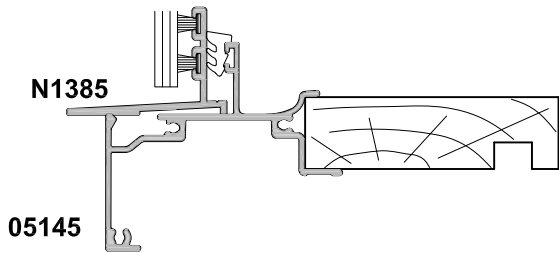
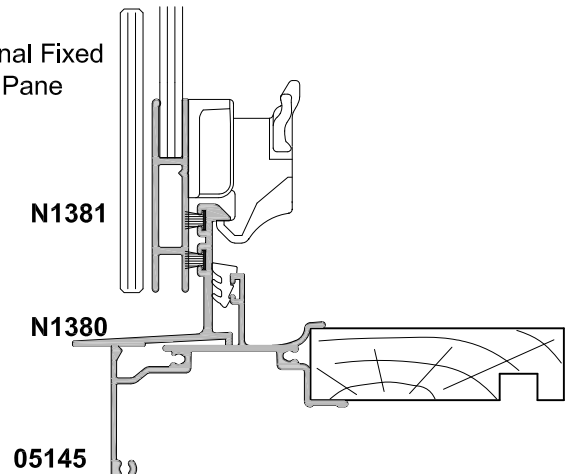


SECTION A-A



Optional Fixed Base Pane



LOCKABLE SILL OPTION

SECTION B-B

