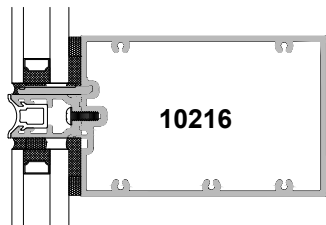
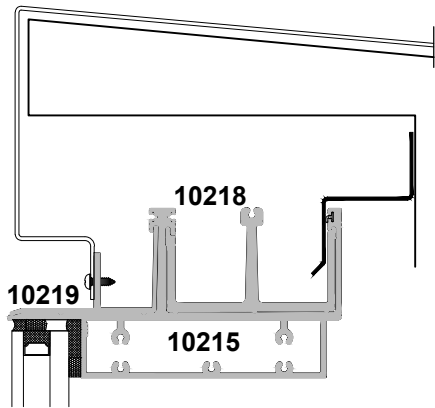


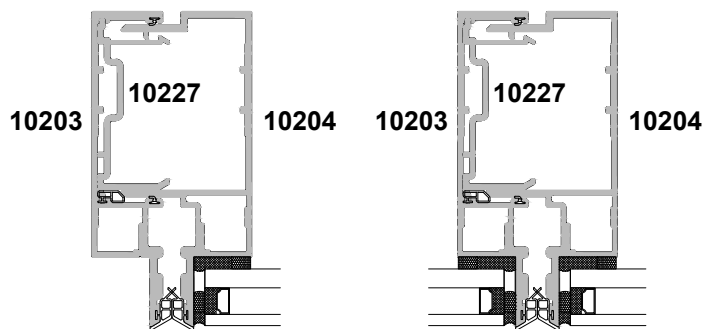
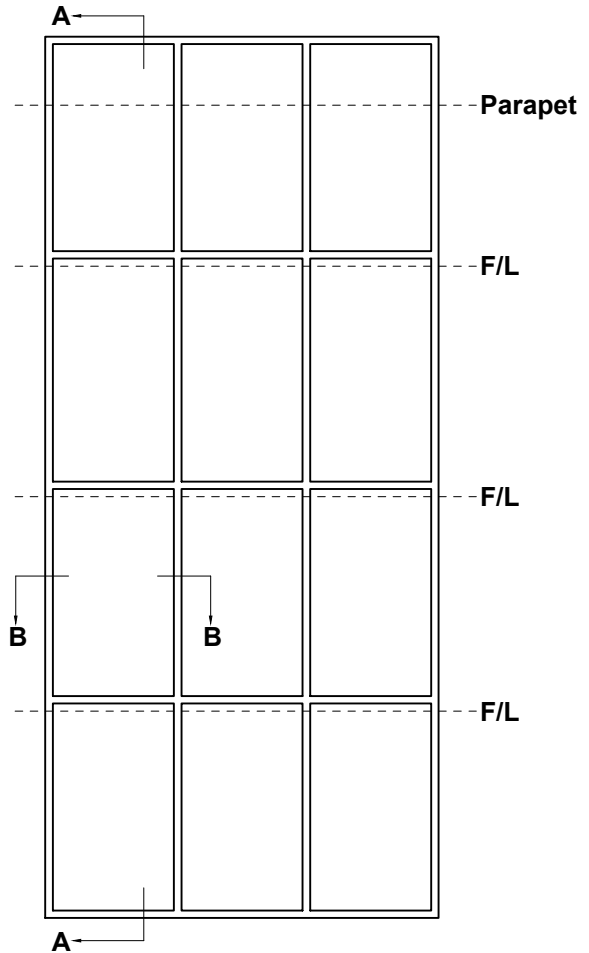
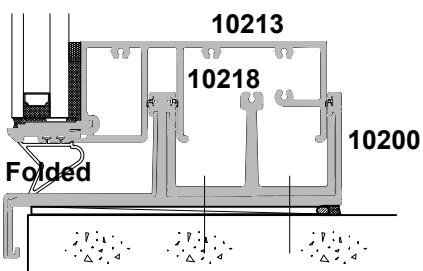
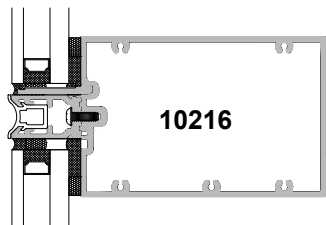
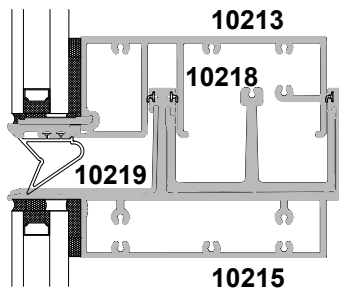
**168MM STRUCTURAL GLAZE THERMAL CURTAIN WALL
THERMALLY SHIELDED
CROSS SECTION**

Cad Ref. FCSTG01-0

Date 01.04.17 Scale 1:4



SECTION A-A



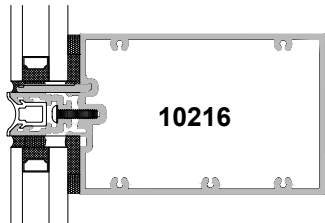
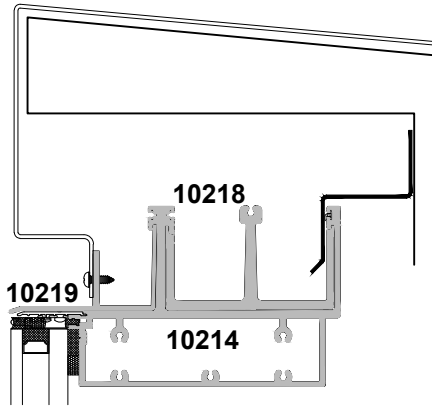
SECTION B-B

**168MM STRUCTURAL GLAZE THERMAL CURTAIN WALL
THERMALLY BROKEN**

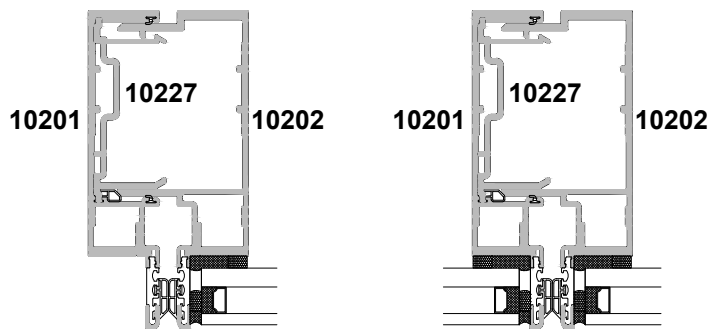
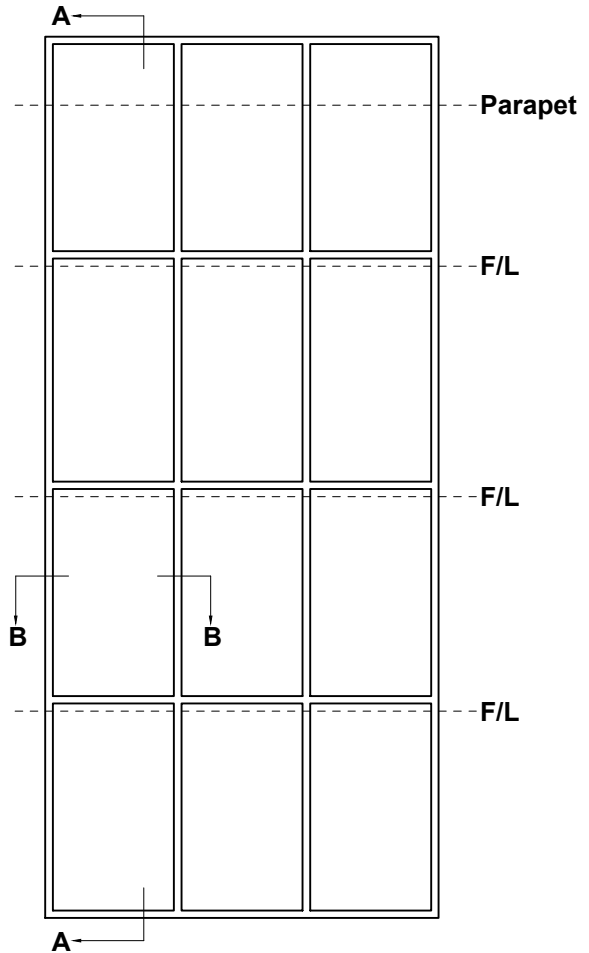
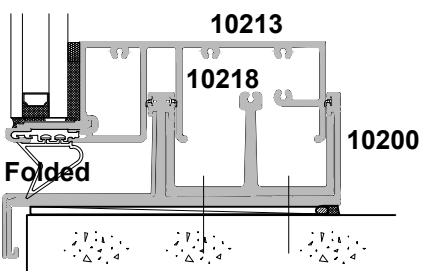
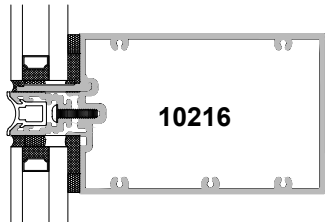
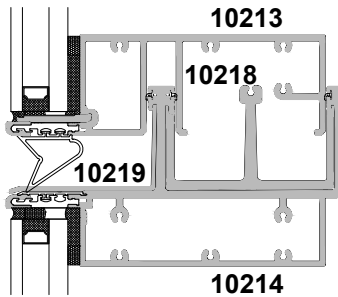
Cad Ref. FCSTG02-0

CROSS SECTION

Date 01.04.17 Scale 1:4



SECTION A-A



SECTION B-B