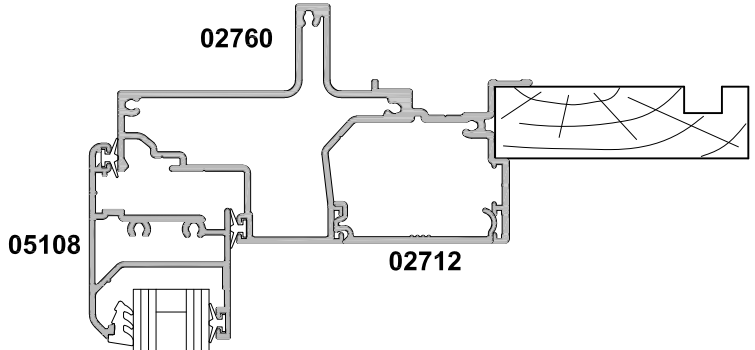


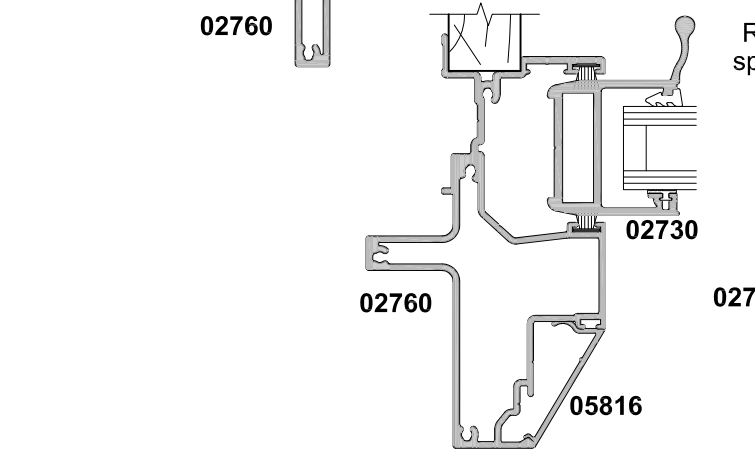
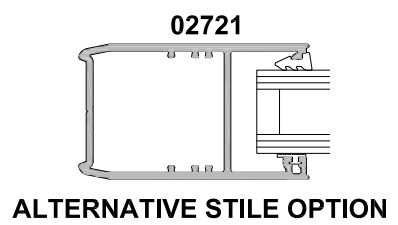
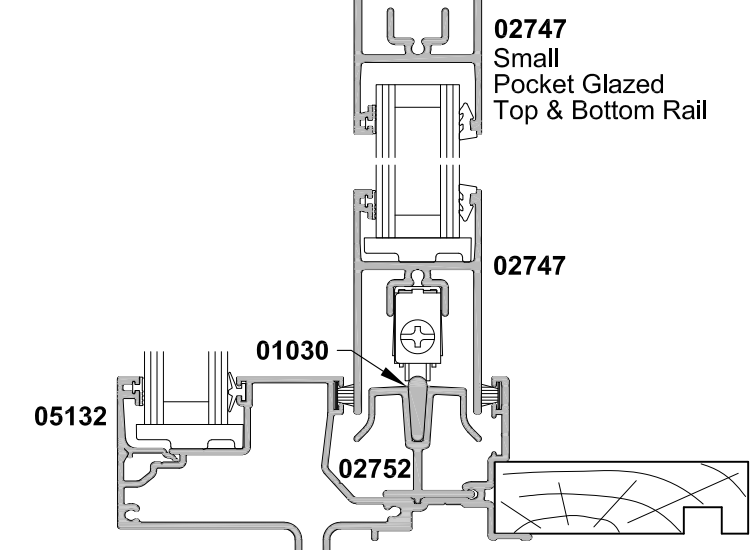
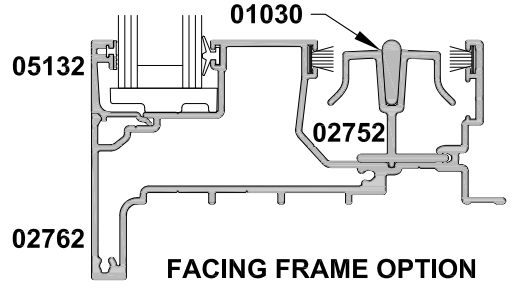
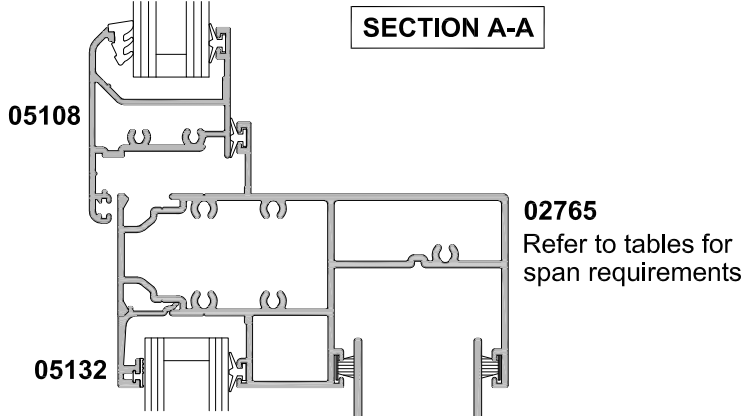
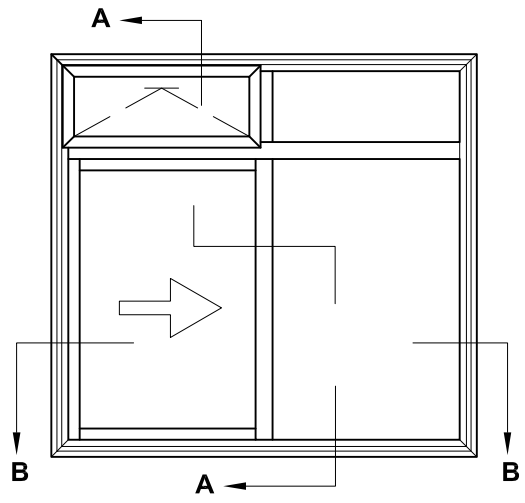
**SLIDEMASTER SLIDING WINDOW  
SF DOUBLE GLAZED WITH OVERLIGHT**

**CROSS SECTION**

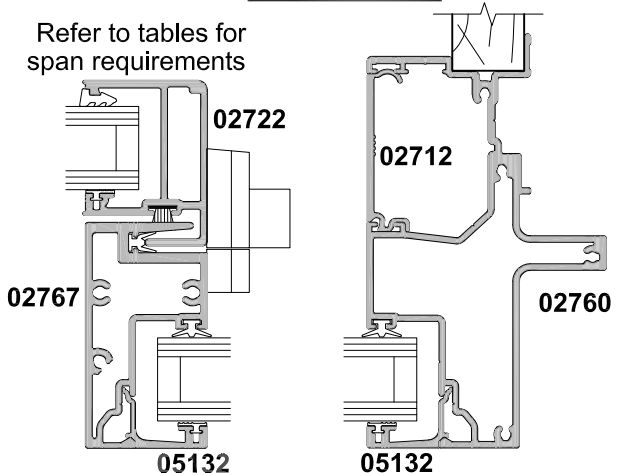
Date 01.04.19 Scale 1:2



**SECTION A-A**

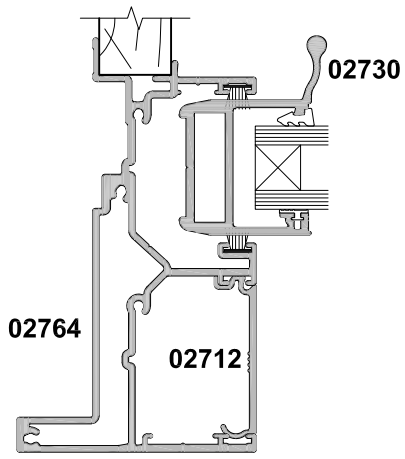
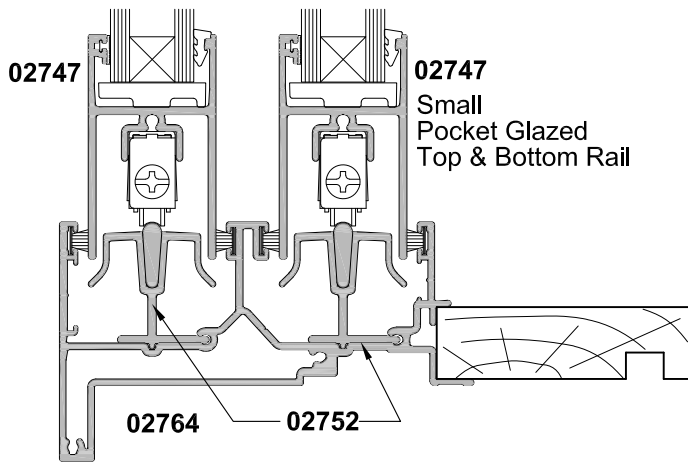
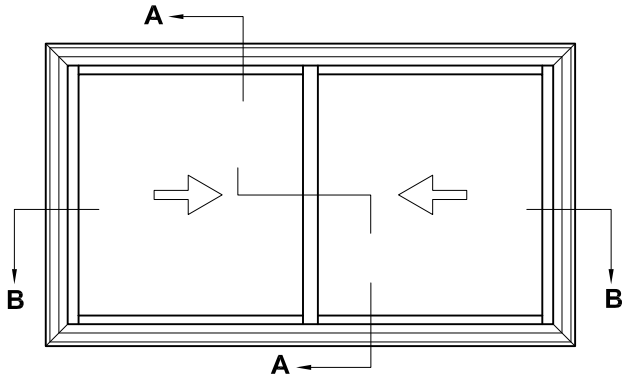
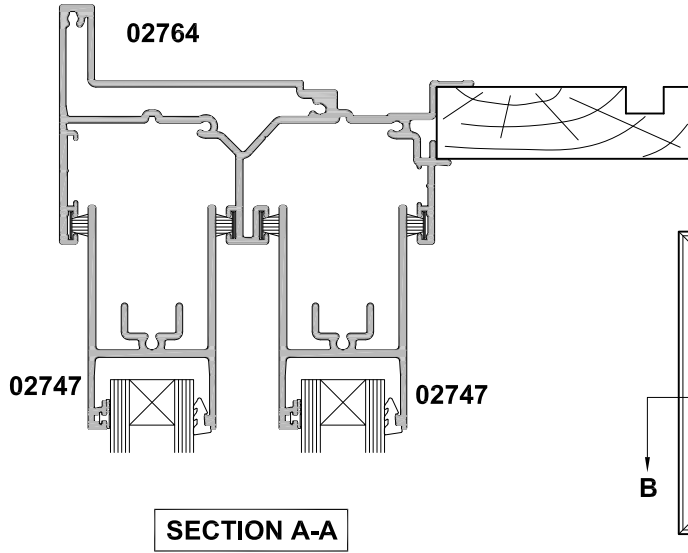


**SECTION B-B**

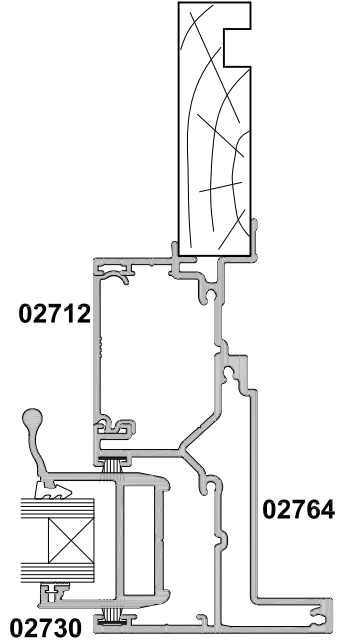
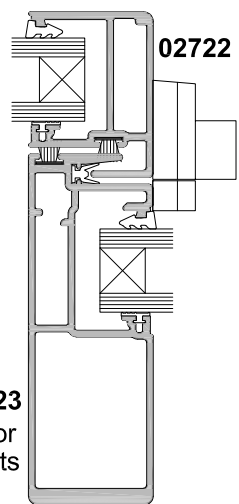


**SLIDEMASTER SLIDING WINDOW**  
**SS BYPASS SLIDER**  
**CROSS SECTION**

Date 01.04.19 Scale 1:2



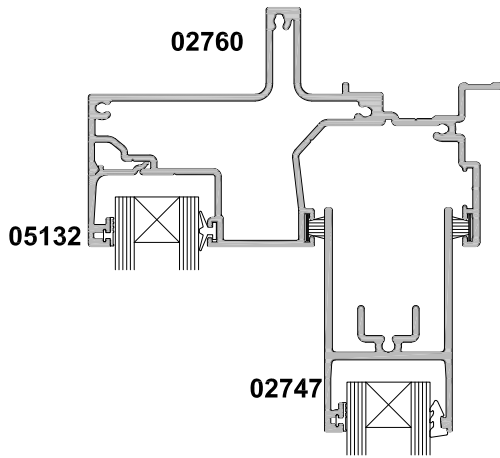
**SECTION B-B**



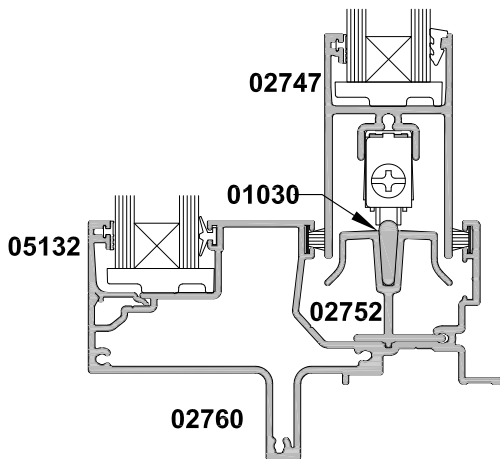
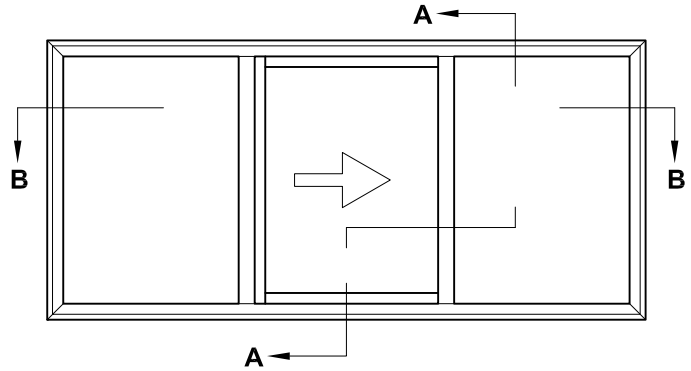
02723  
Refer to tables for  
span requirements

**SLIDEMASTER SLIDING WINDOW**  
**FSF DOUBLE GLAZED**  
**CROSS SECTION**

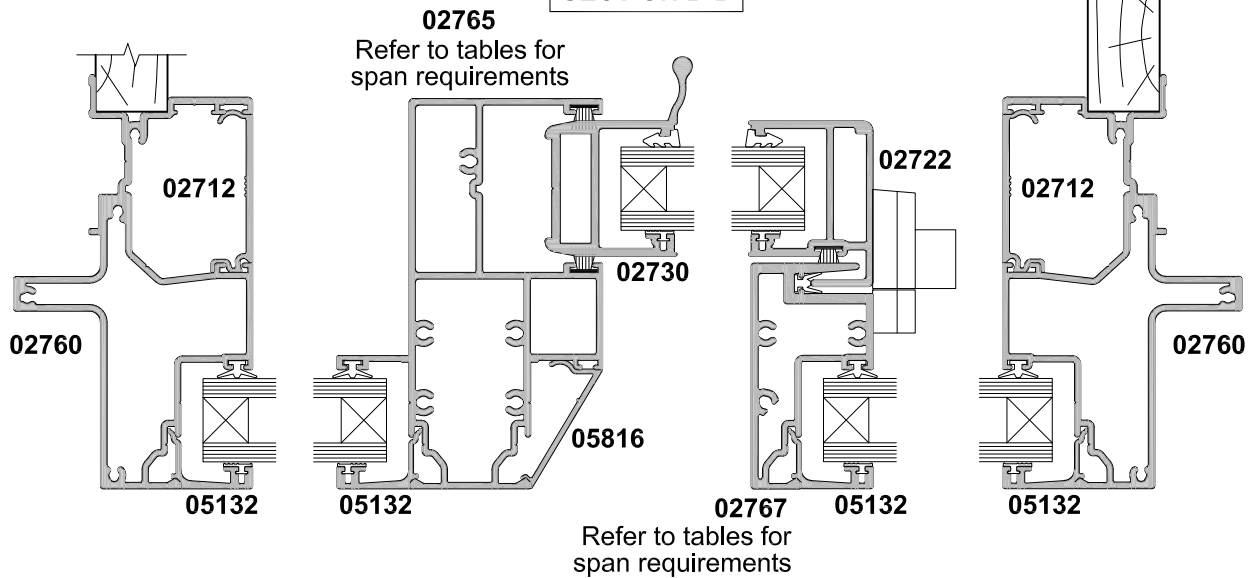
Date 01.04.19 Scale 1:2



**SECTION A-A**

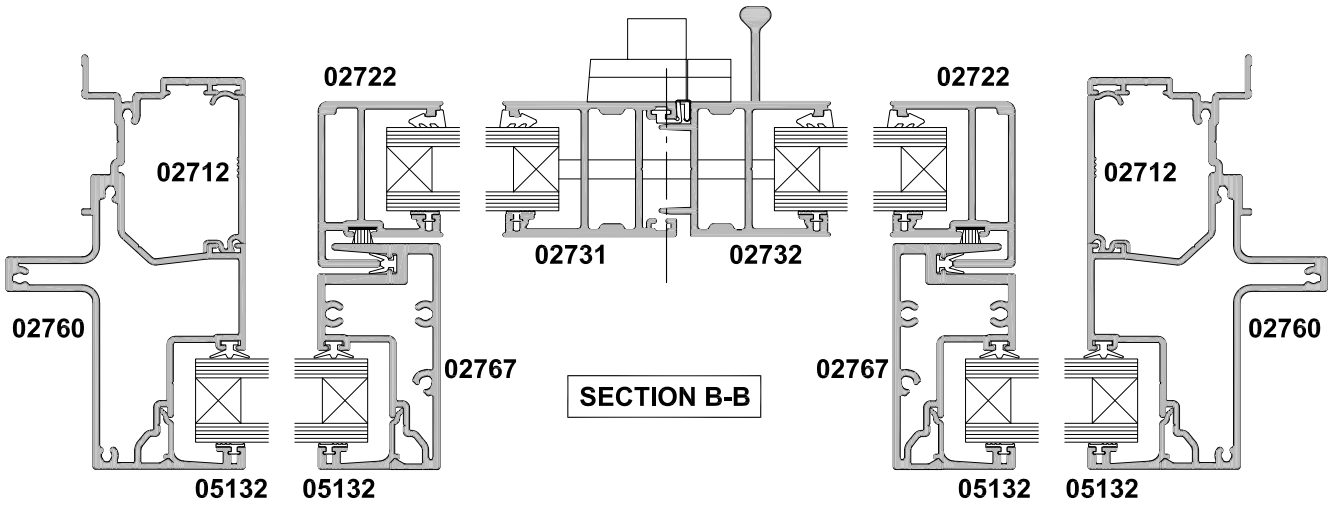
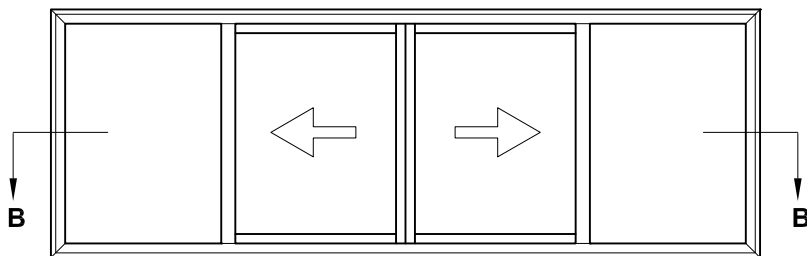
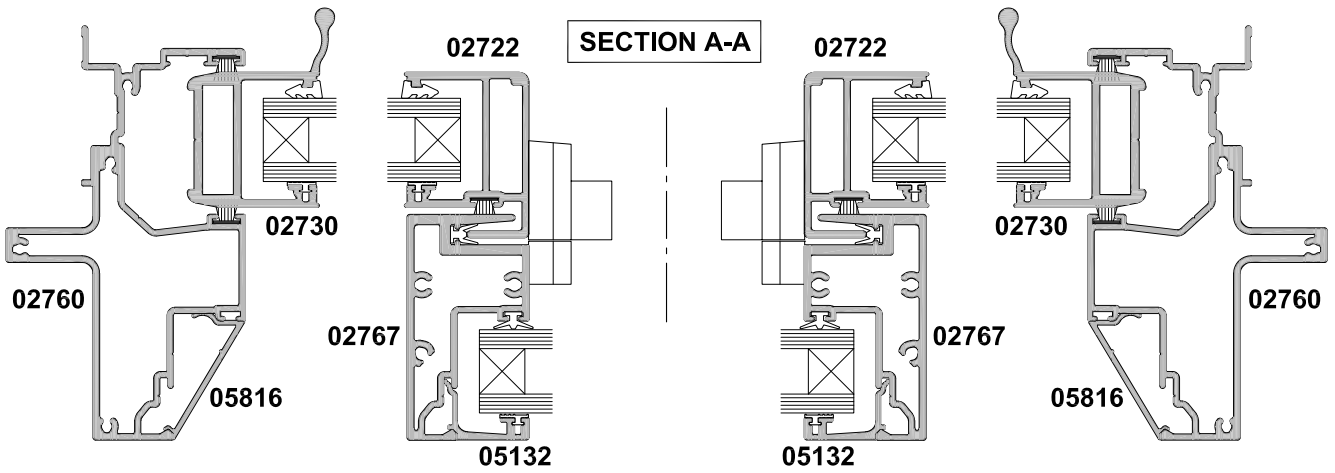
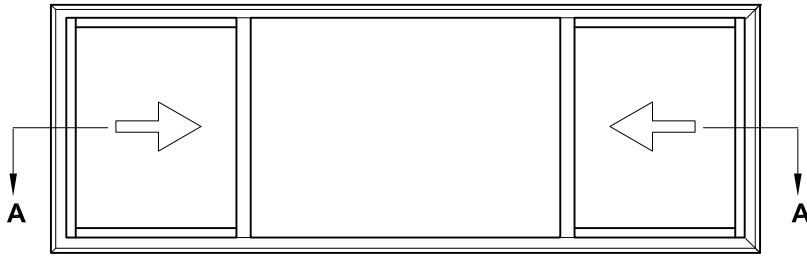


**SECTION B-B**



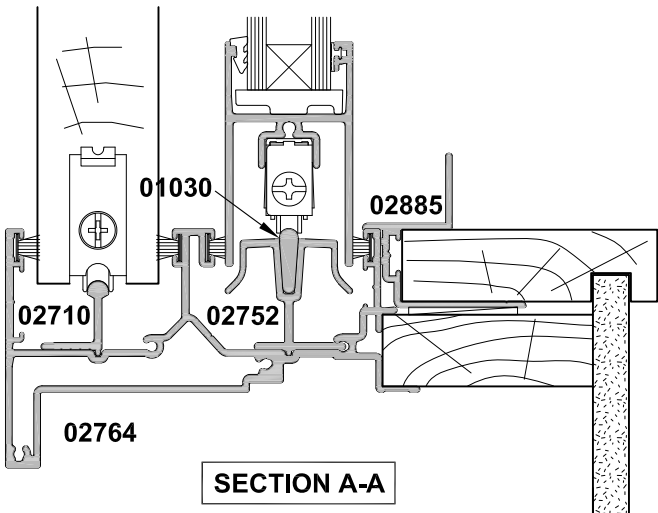
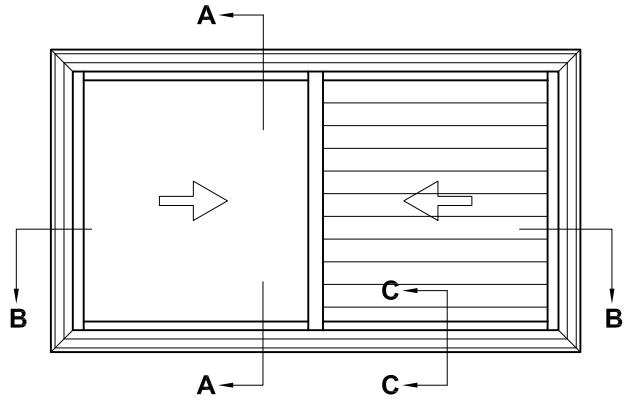
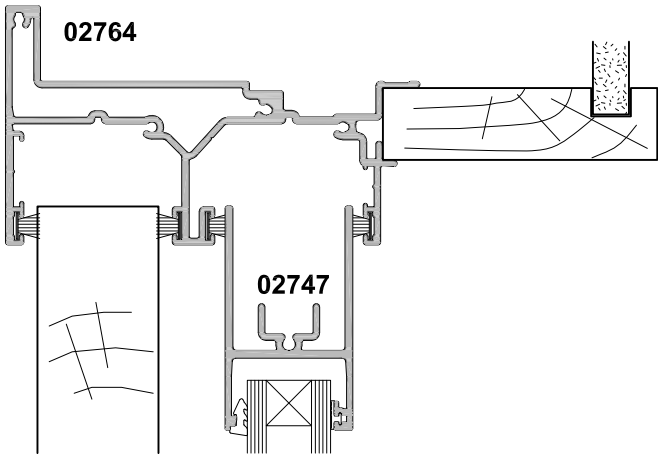
**SLIDEMASTER SLIDING WINDOW**  
**SFS / FSSF DOUBLE GLAZED**  
**CROSS SECTION**

Date 01.04.19 Scale 1:2

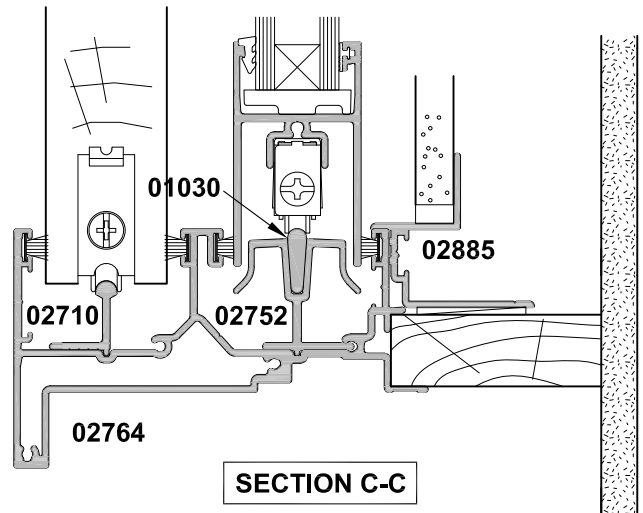


**SLIDEMASTER SLIDING WINDOW  
SS WITH TIMBER SHUTTER  
CROSS SECTION**

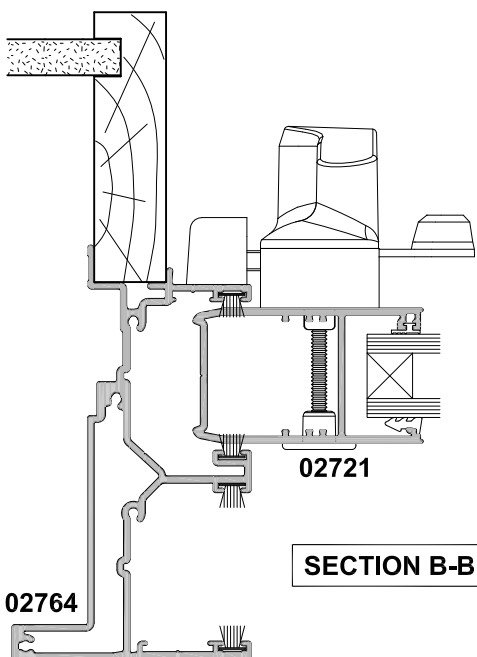
Date 01.04.19 Scale 1:2



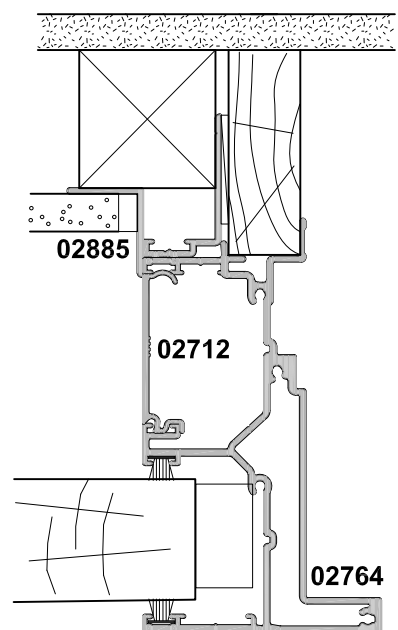
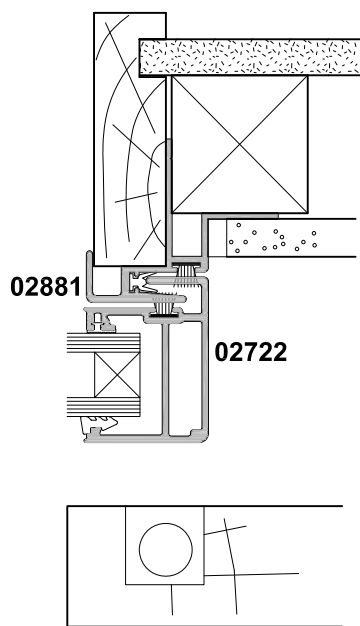
SECTION A-A



SECTION C-C

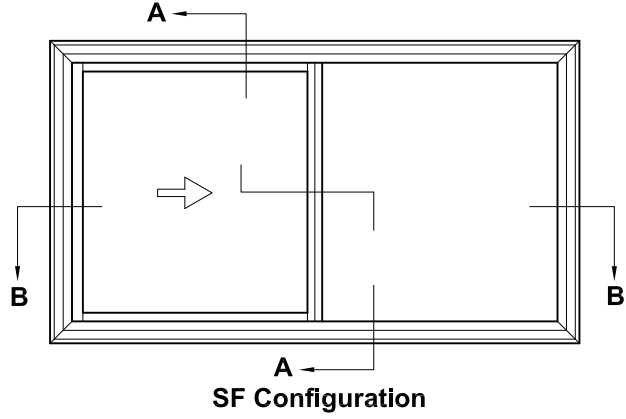
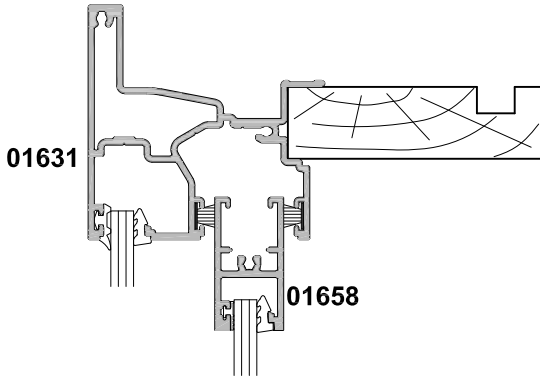


SECTION B-B

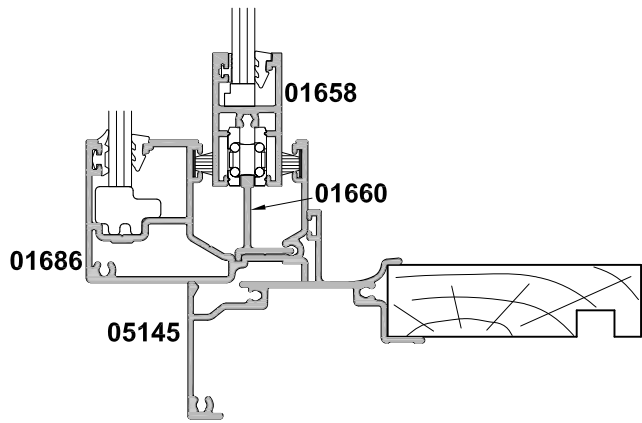
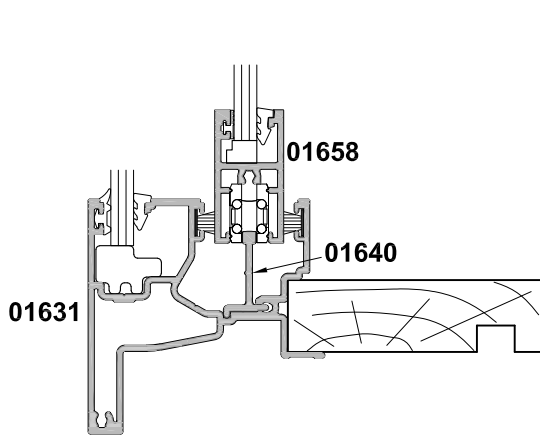


**SLIMLINE SLIDING WINDOW**  
**SF SINGLE SLIDING PANEL**  
**CROSS SECTION**

Date 01.04.19 Scale 1:2

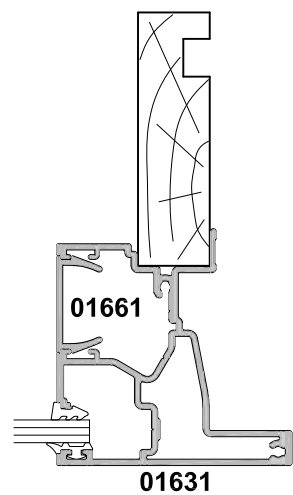
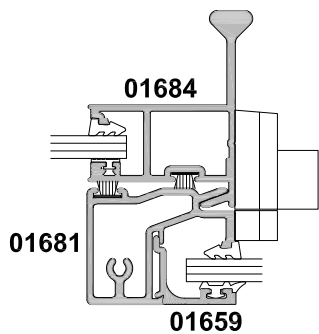
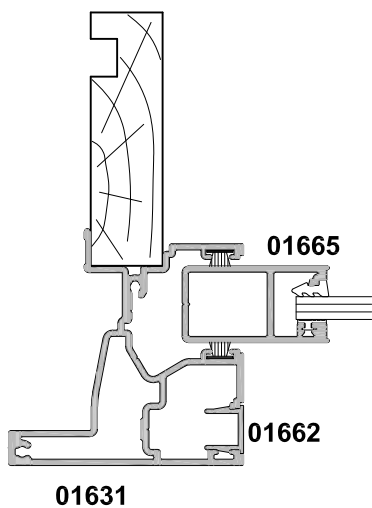


**SECTION A-A**



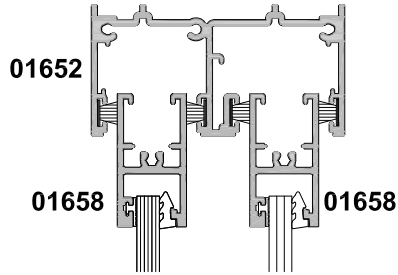
**INSERT FRAME OPTION**

**SECTION B-B**

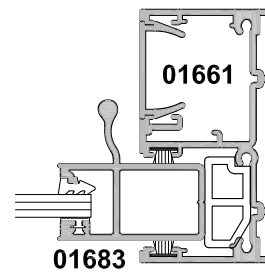
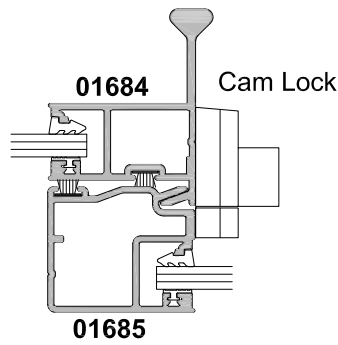
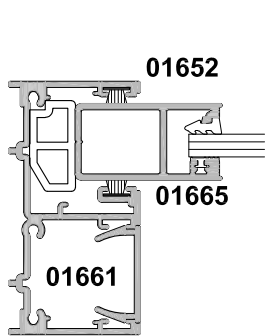
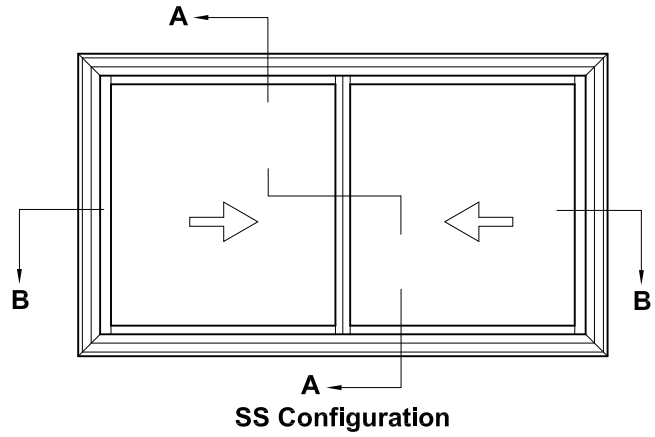
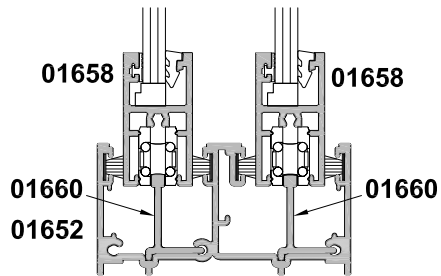


**SLIMLINE SLIDING WINDOW**  
**SS DOUBLE SLIDING PANEL & FSSF FOUR PANEL**  
**CROSS SECTION**

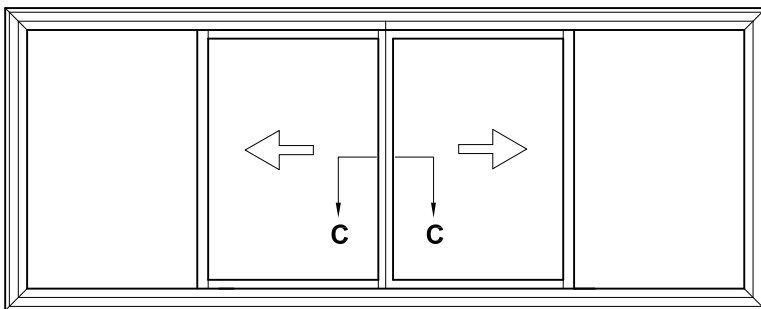
Date 01.04.19 Scale 1:2



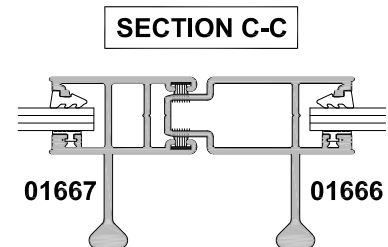
**SECTION A-A**



**SECTION B-B**



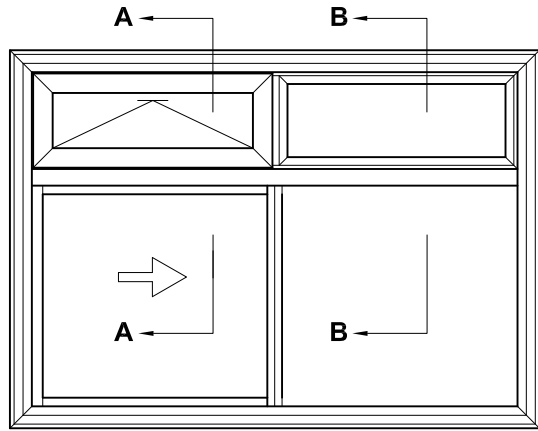
**FSSF Sliding Window**



**SECTION C-C**

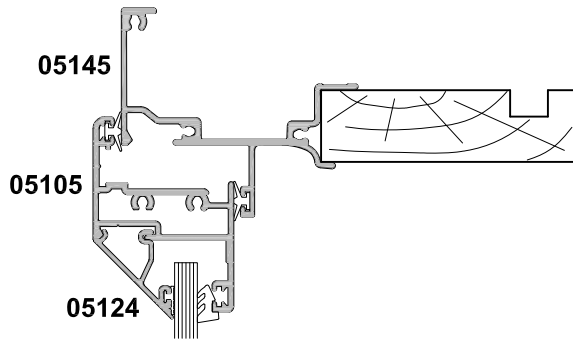
**SLIMLINE SLIDING WINDOW  
SF WITH OVERLIGHT SASH  
CROSS SECTION**

Date 01.04.19 Scale 1:2

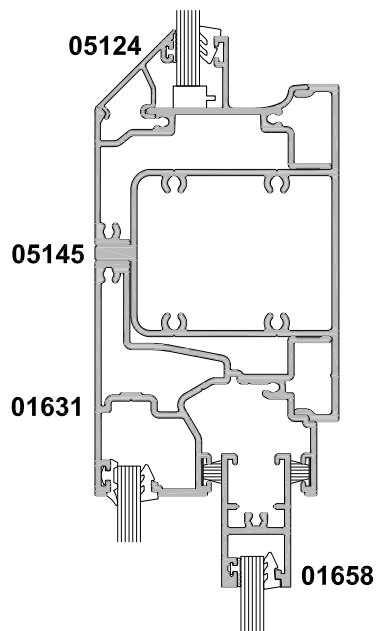
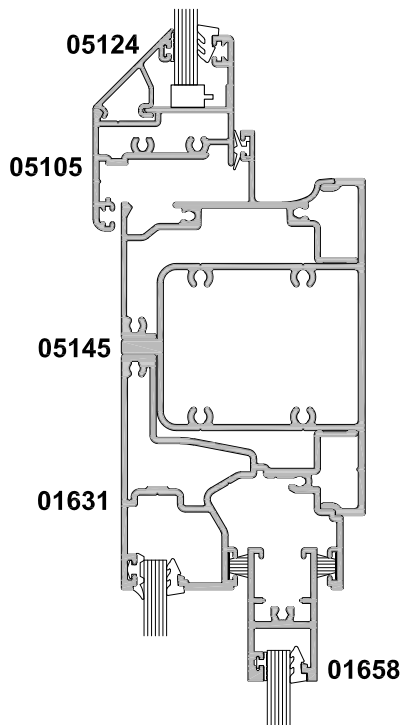
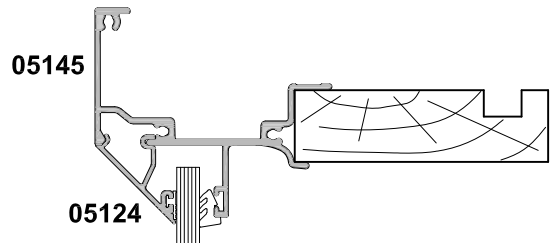


SF With Overlight / Ventlight

SECTION A-A



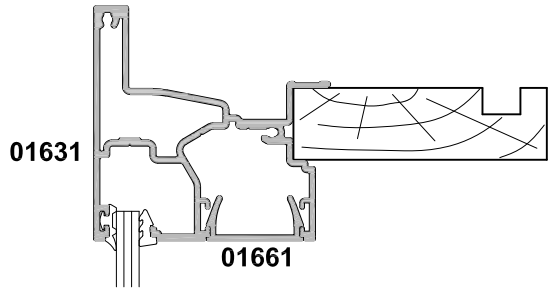
SECTION B-B



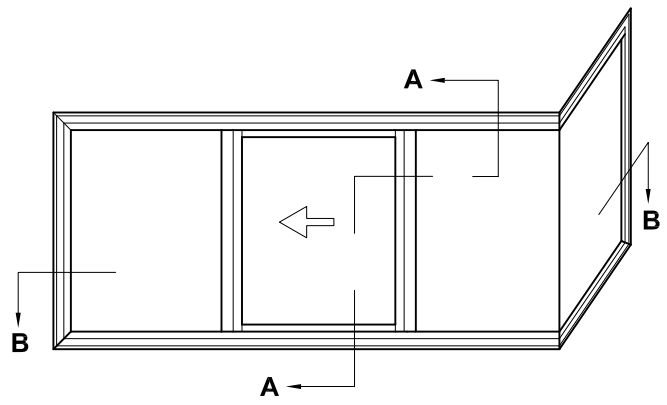


**SLIMLINE SLIDING WINDOW  
FSF BUTT JOINTED CORNER  
CROSS SECTION**

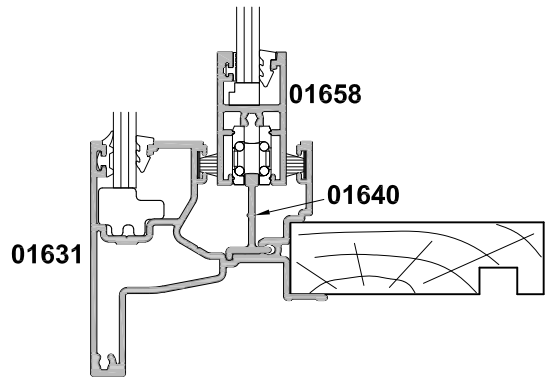
Date 01.04.19 Scale 1:2



**SECTION A-A**



**FSF With Butt Jointed Corner**



**SECTION B-B**

