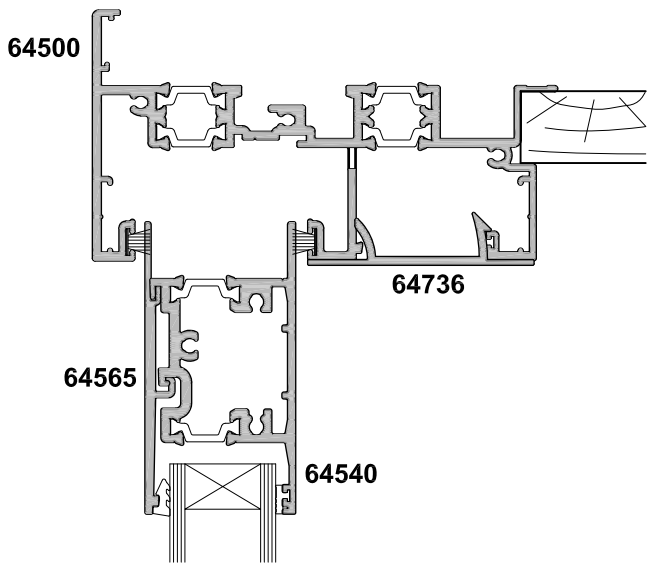
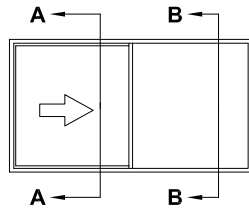
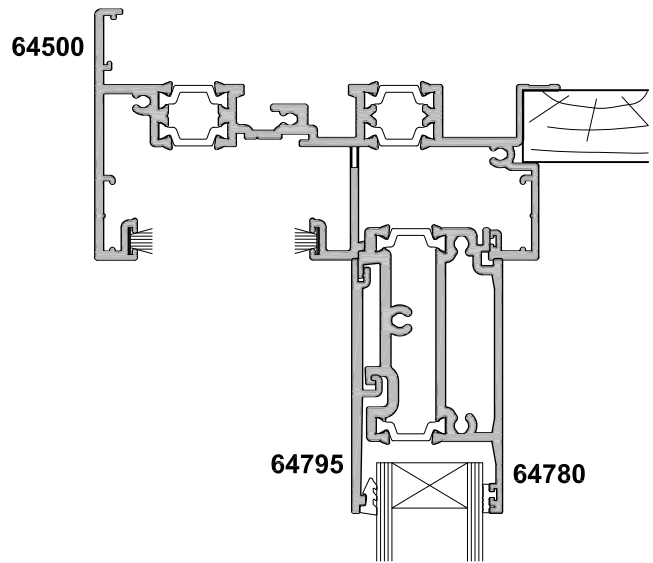


**METRO SERIES THERMAL HEART
SLIDING WINDOW
TWO PANEL SF
CROSS SECTION**

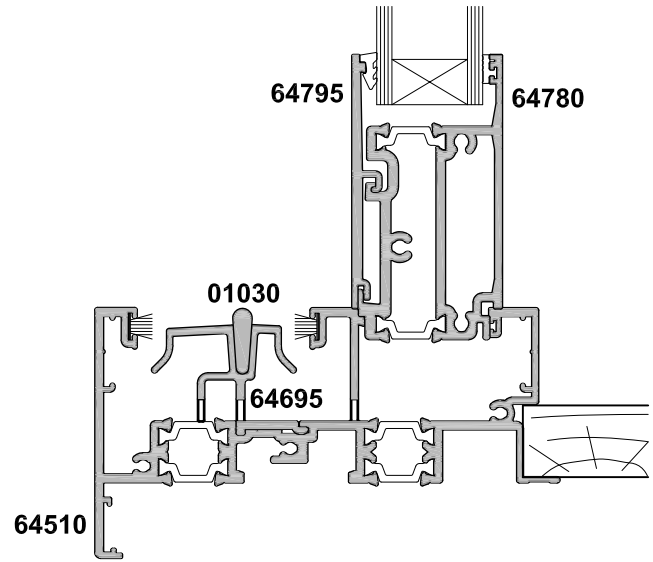
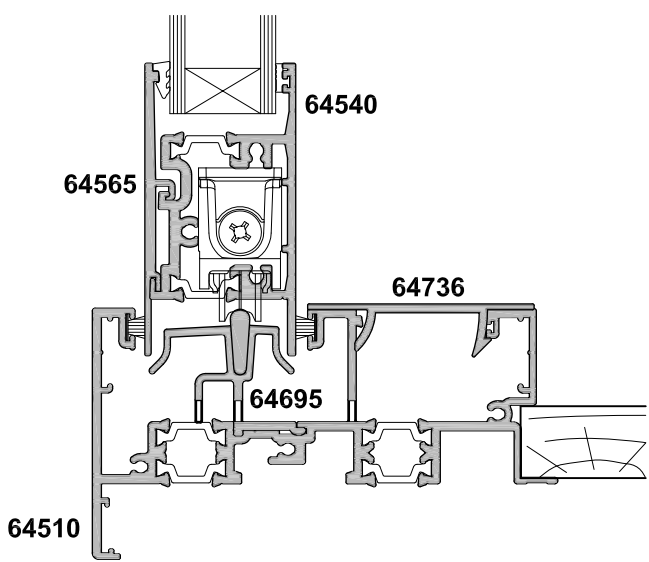
Date 01.04.15 Scale 1:2



SECTION A-A



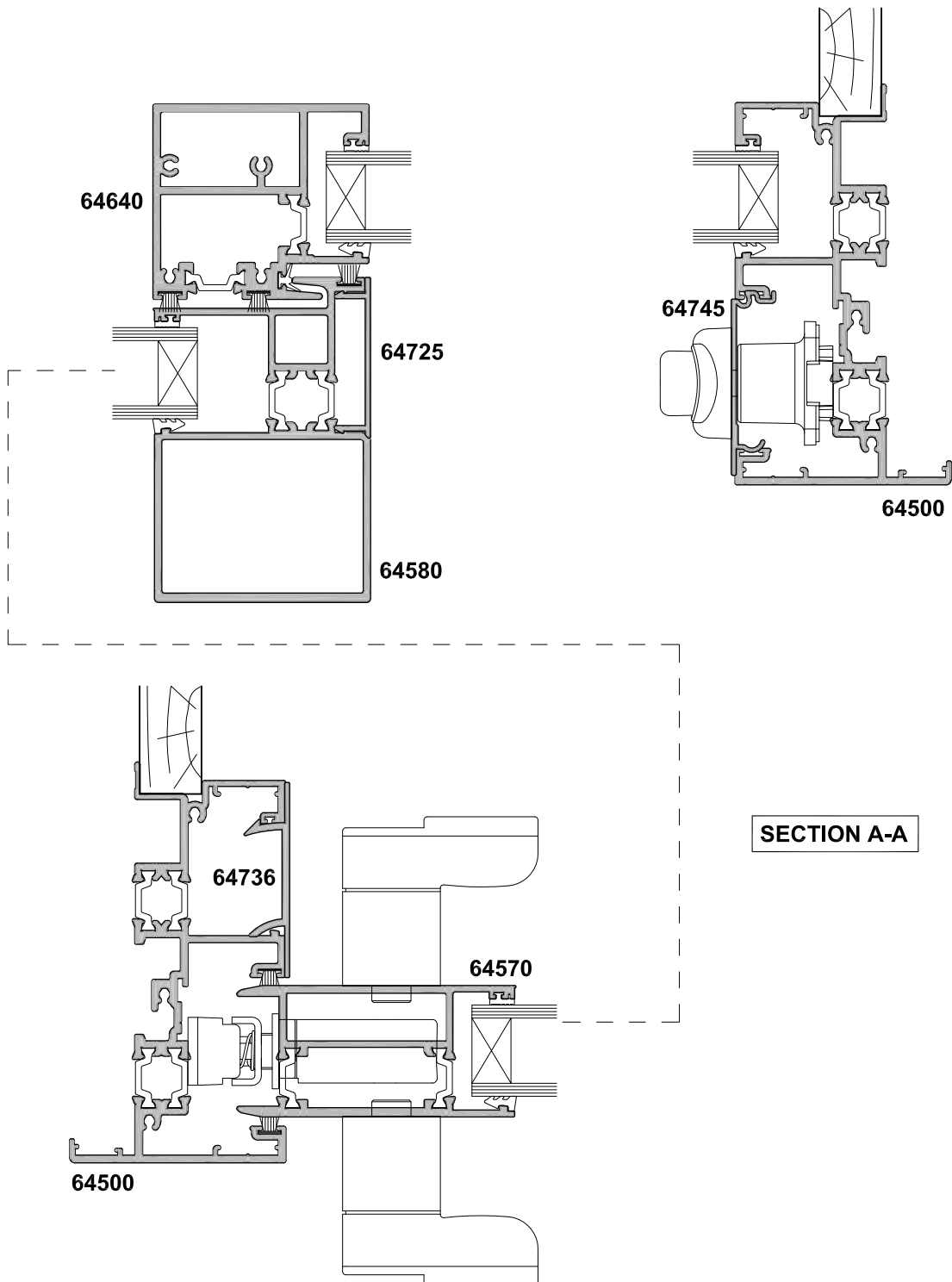
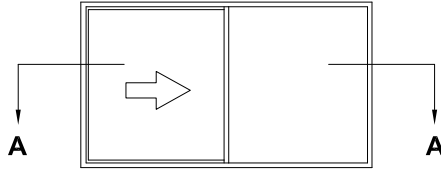
SECTION B-B



**METRO SERIES THERMAL HEART
SLIDING WINDOW
TWO PANEL SF
CROSS SECTION**

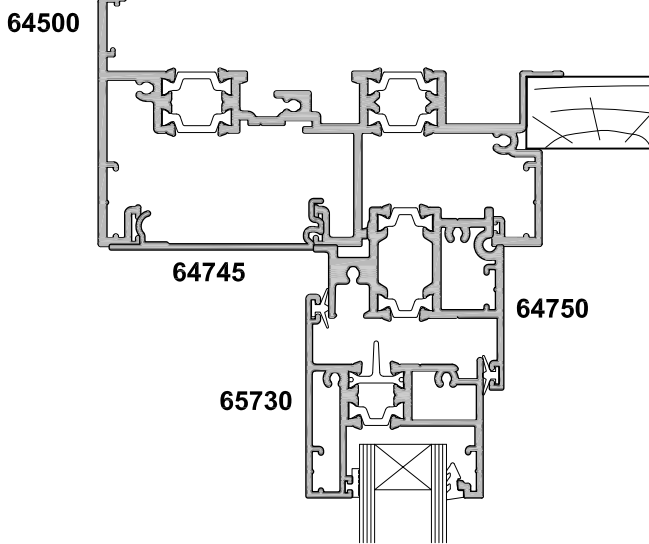
Cad Ref. FTSW03-0

Date 01.04.15 Scale 1:2

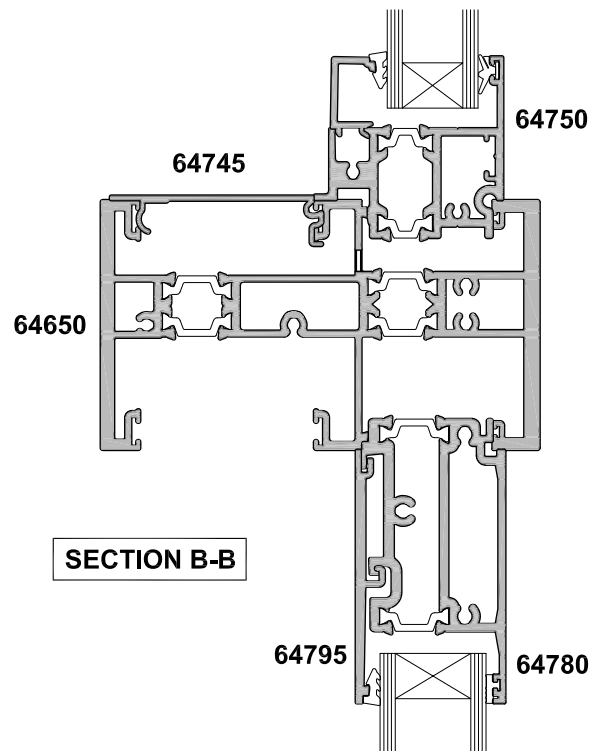
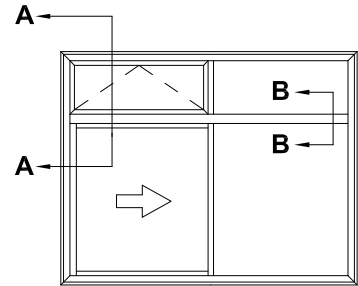
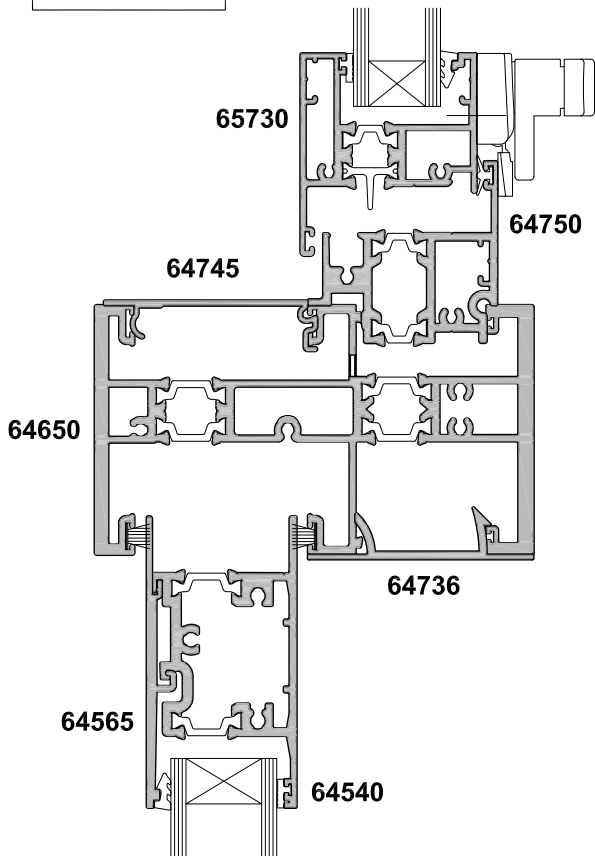


CROSS SECTION

Date 01.04.15 Scale 1:2



SECTION A-A

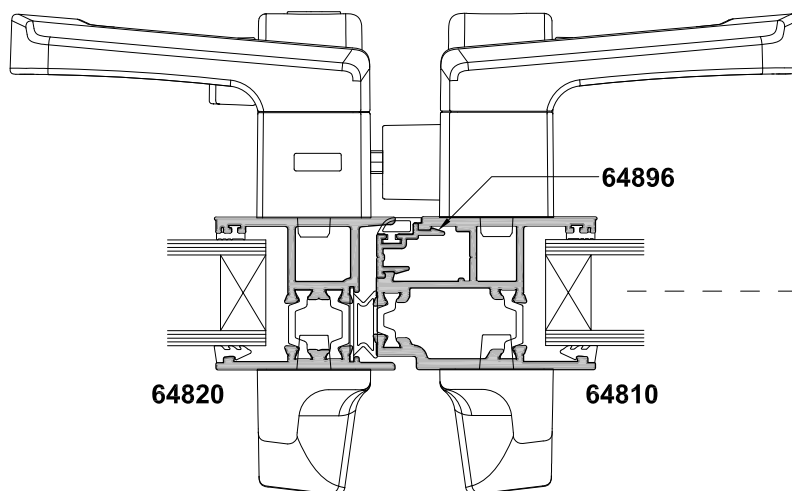
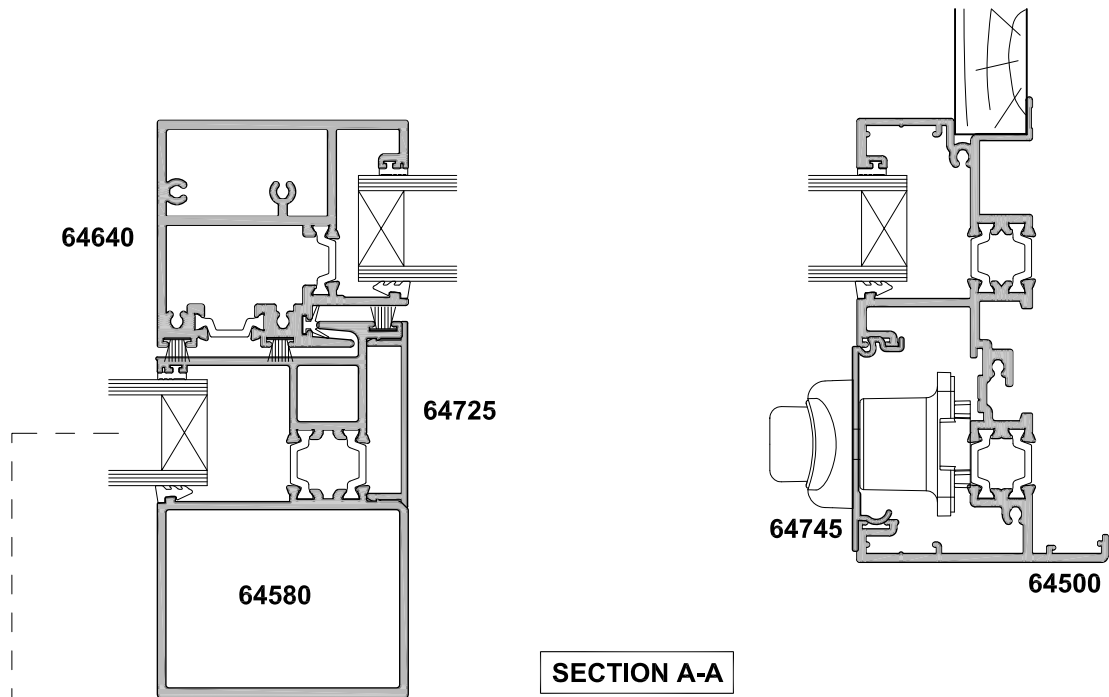
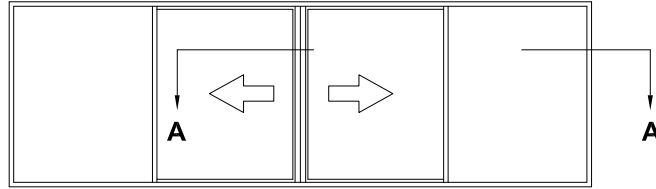


SECTION B-B

FIXED OVERLIGHT OPTION

**METRO SERIES THERMAL HEART
SLIDING WINDOW
FOUR PANEL FSSF
CROSS SECTION**

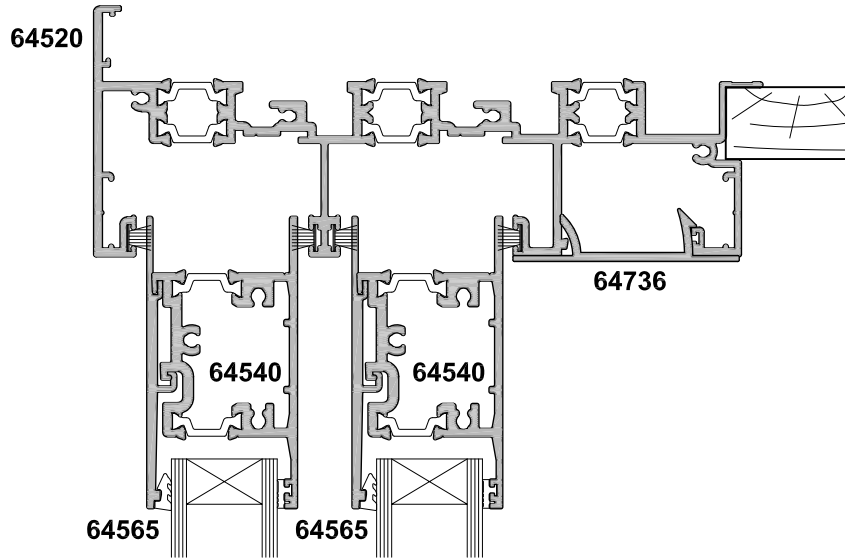
Date 01.04.15 Scale 1:2



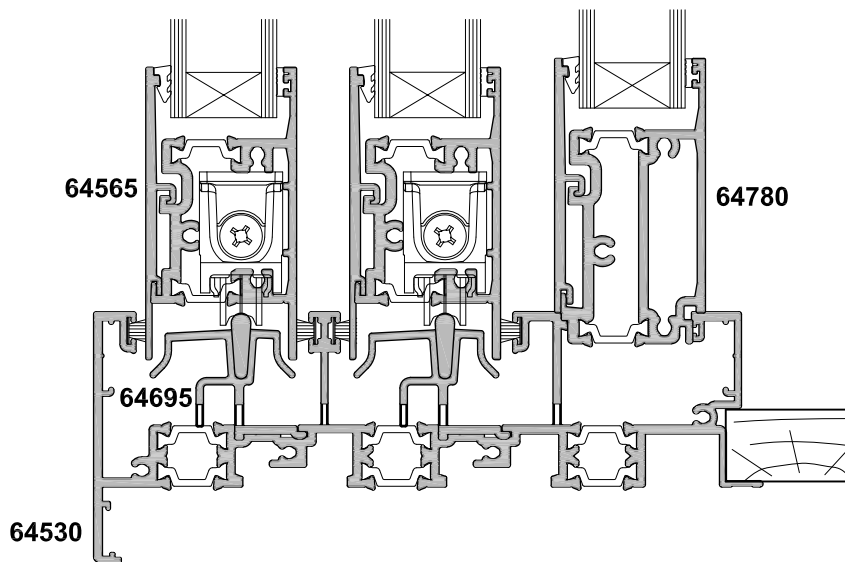
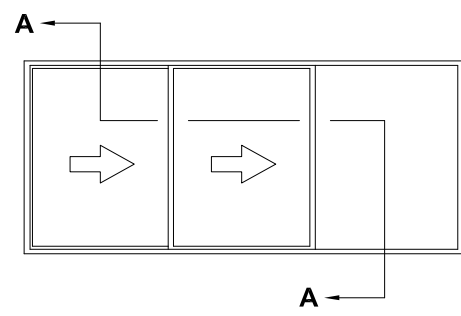
**METRO SERIES THERMAL HEART
SLIDING WINDOW
THREE PANEL SSF
CROSS SECTION**

Cad Ref. FTSW06-0

Date 01.04.15 Scale 1:2

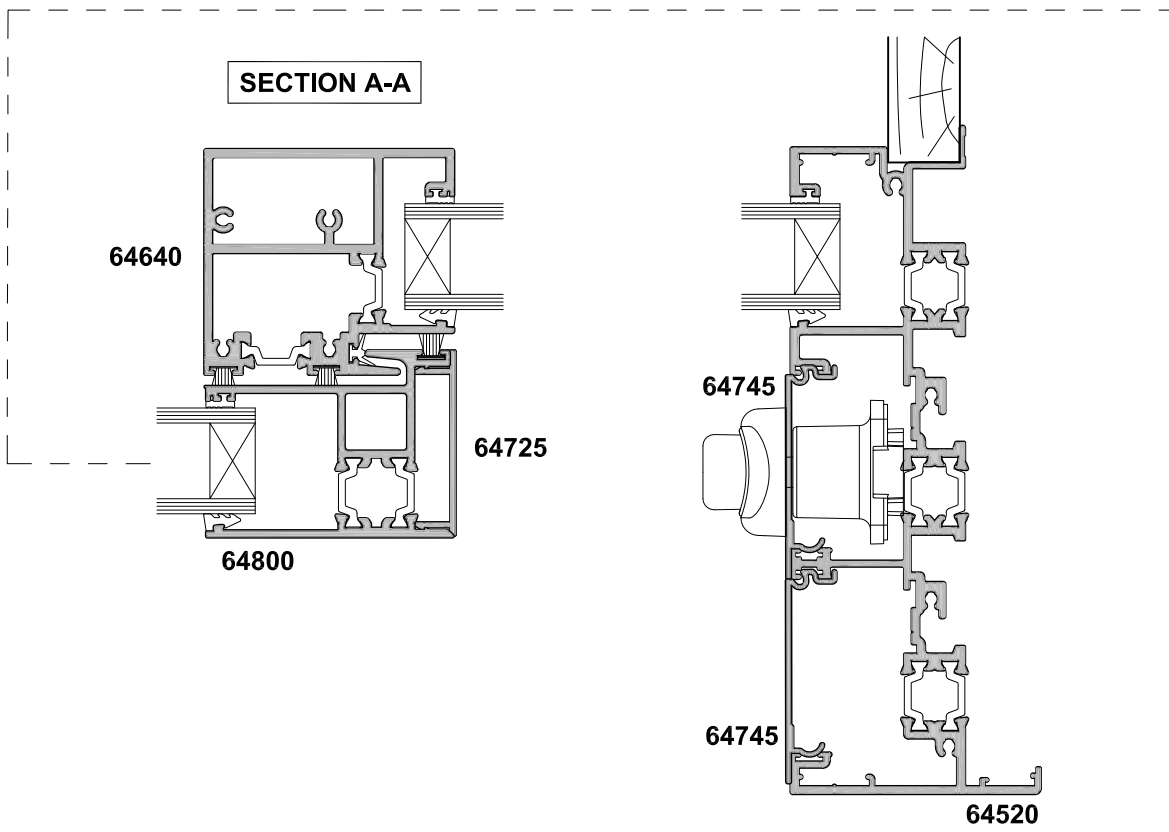
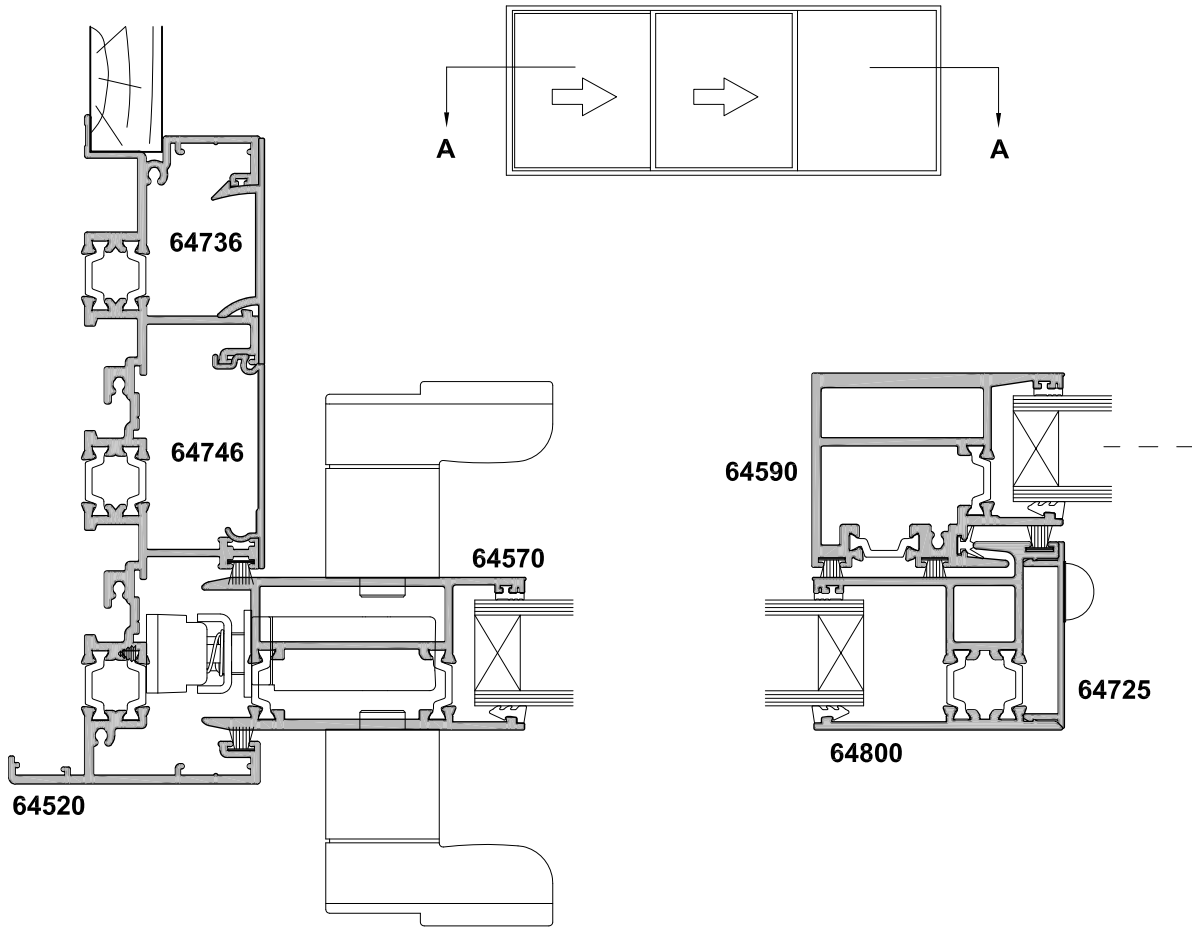


SECTION A-A



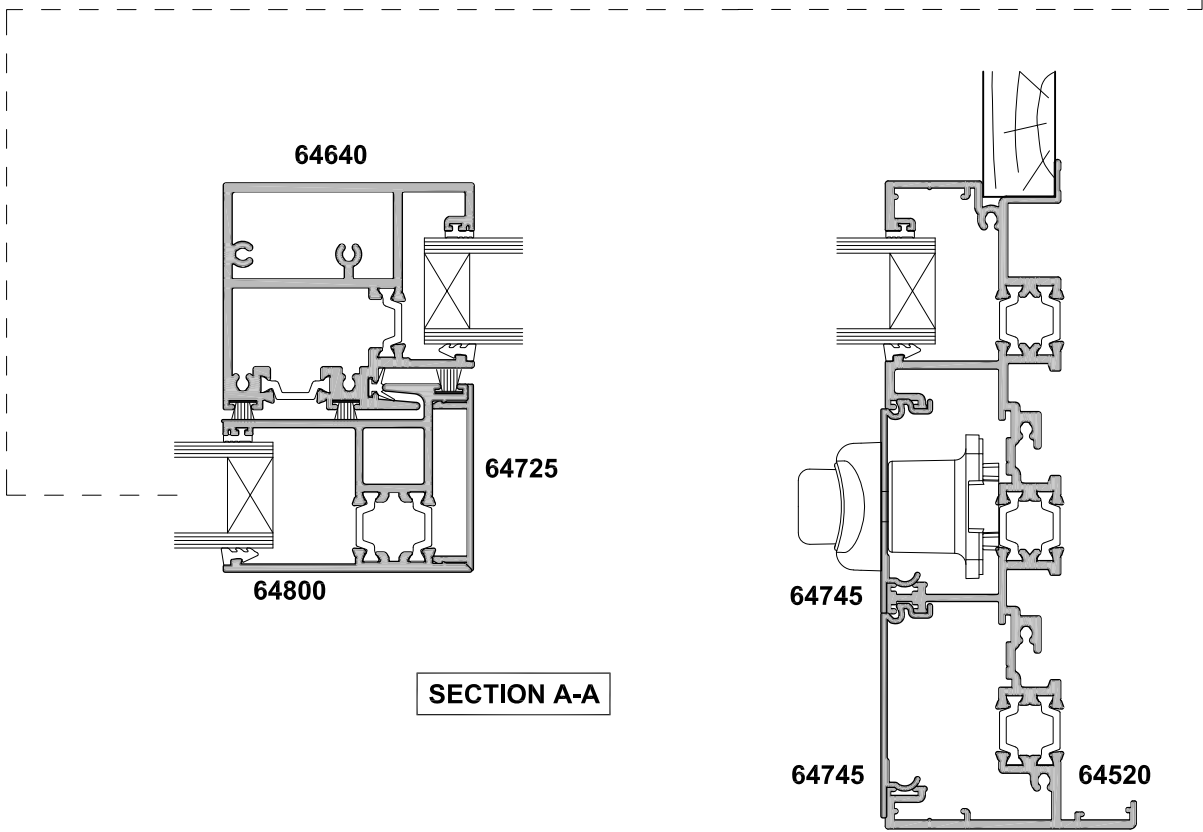
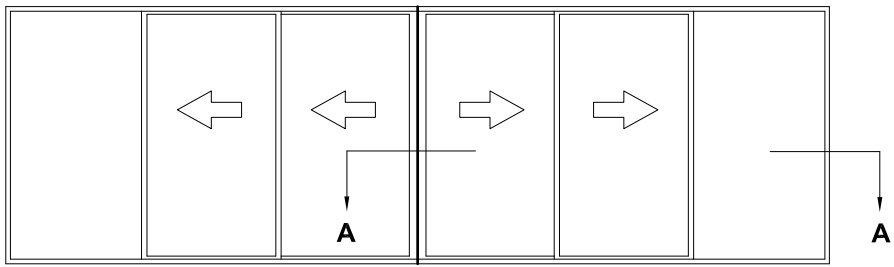
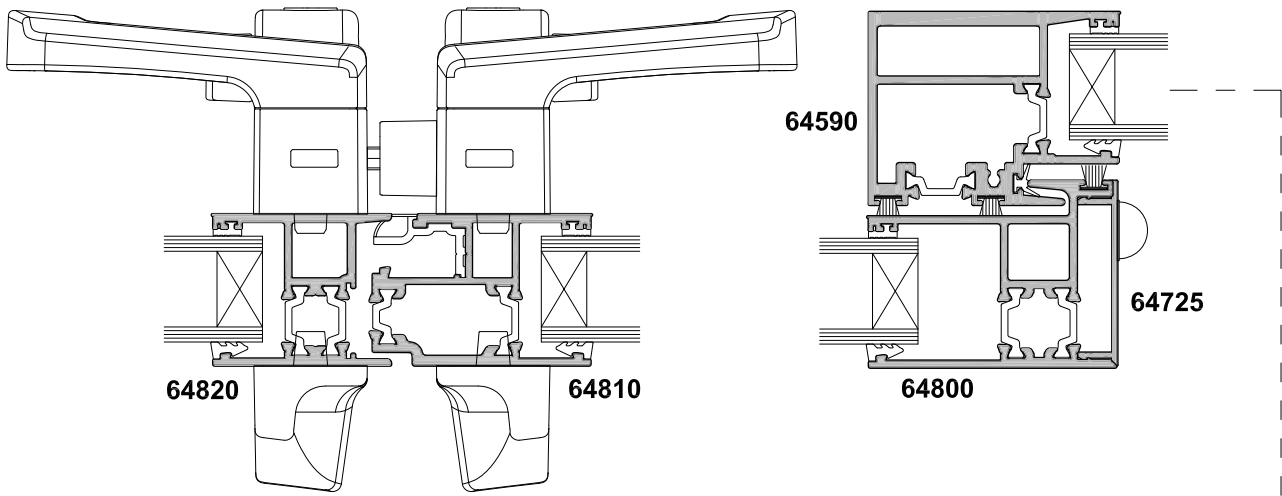
**METRO SERIES THERMAL HEART
SLIDING WINDOW
THREE PANEL SSF
CROSS SECTION**

Date 01.04.15 Scale 1:2



**METRO SERIES THERMAL HEART
SLIDING WINDOW
SIX PANEL FSSSSF
CROSS SECTION**

Date 01.04.15 Scale 1:2



SECTION A-A