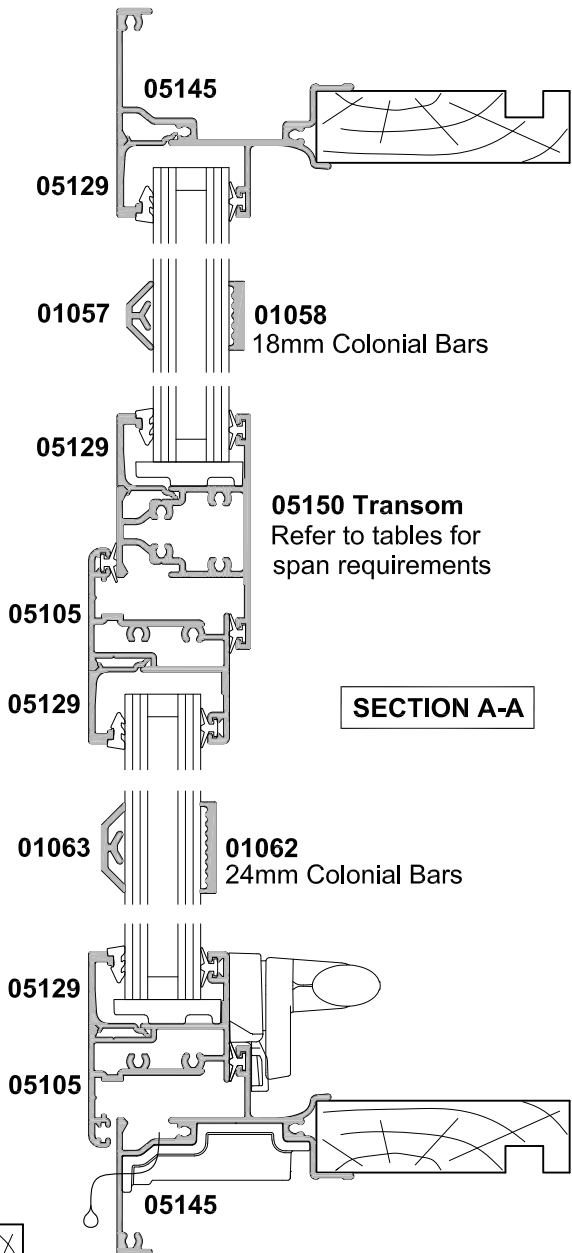


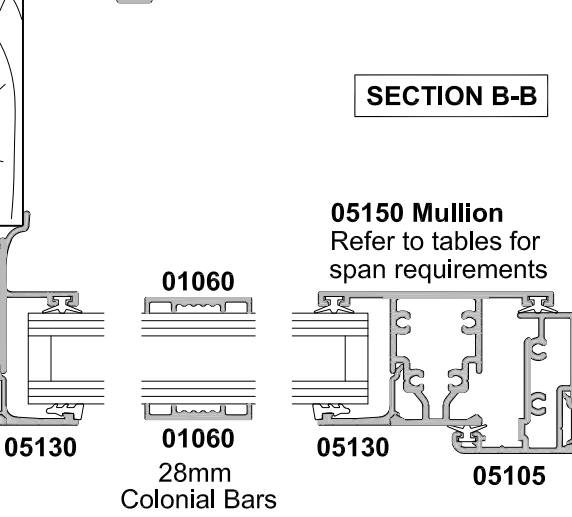
**AWNING WINDOW, BEADED SASH
AND ESPAGNOLETTE SASH OPTION**

CROSS SECTION

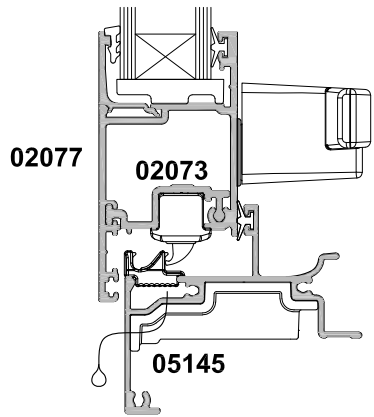
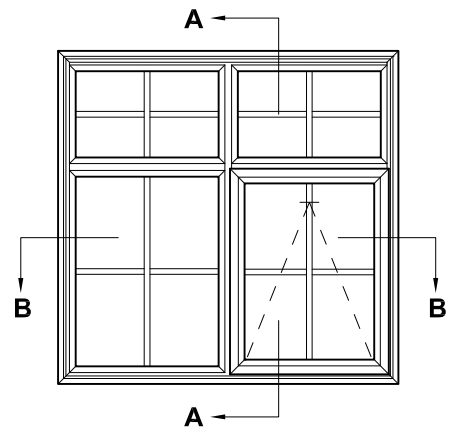
Date 01.04.19 Scale 1:2



SECTION A-A



SECTION B-B

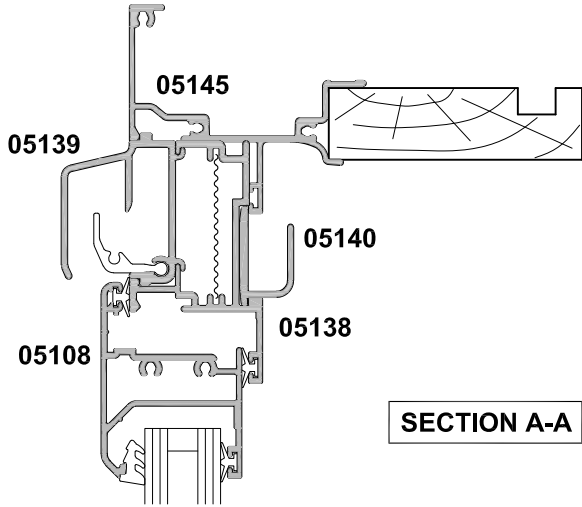


ESPAGNOLETTE SASH OPTION

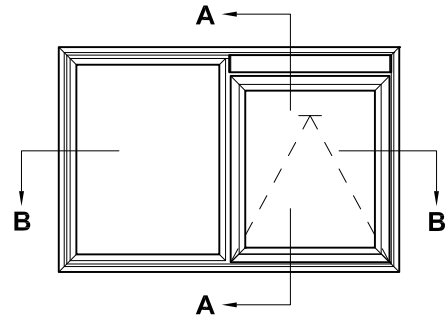
**AWNING WINDOW, DOUBLE GLAZED
VENTED SASH AND AEROVENT**

CROSS SECTION

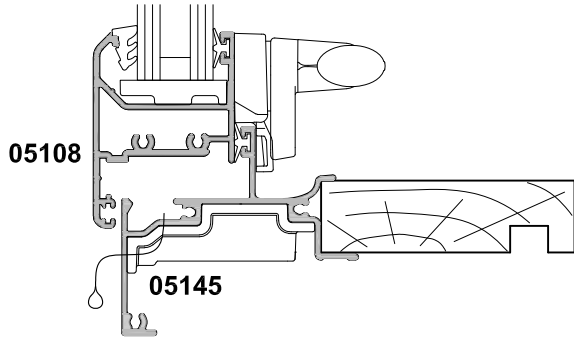
Date 01.04.19 Scale 1:2



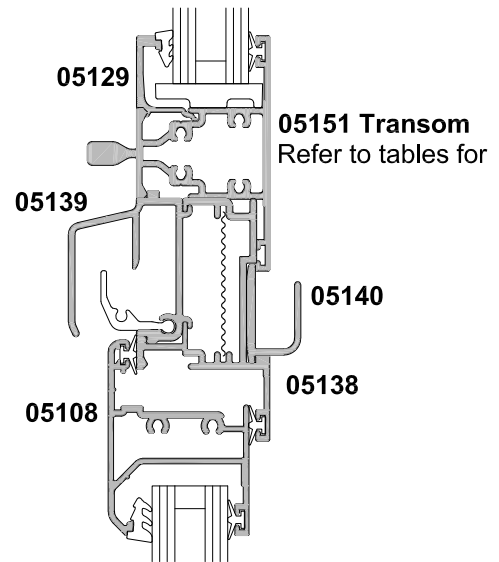
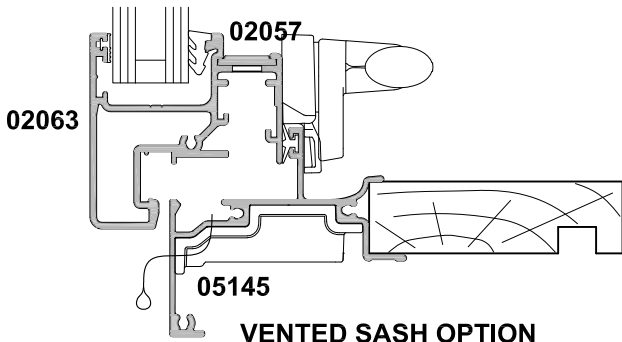
SECTION A-A



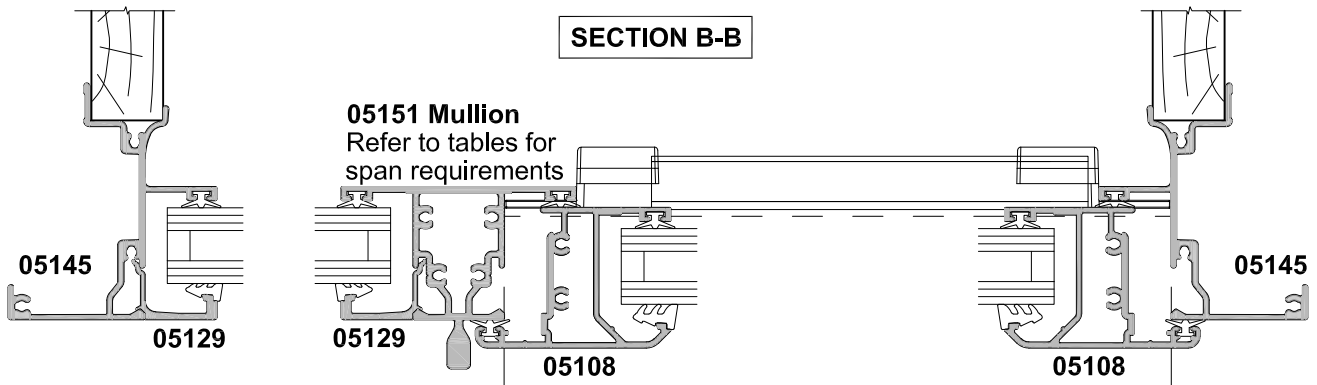
Due to clearance issues it is not recommended to have casement sashes below Aerovent.



VENTED SASH OPTION



AEROVENT AT TRANSOM OPTION



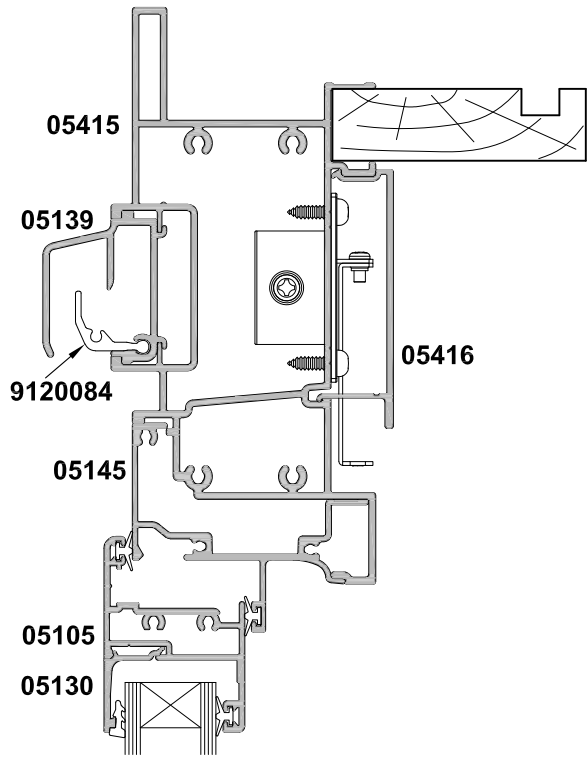
SECTION B-B

05151 Mullion
Refer to tables for span requirements

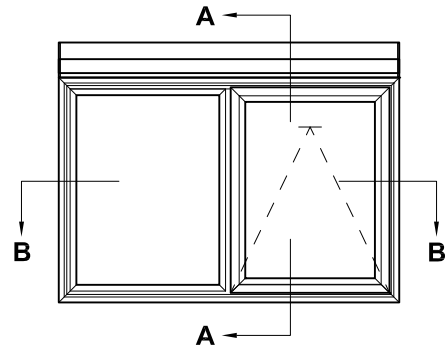
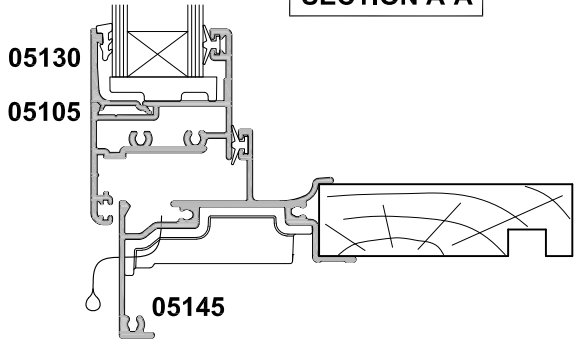
**AWNING WINDOW, DOUBLE GLAZED
VENTIENT**

CROSS SECTION

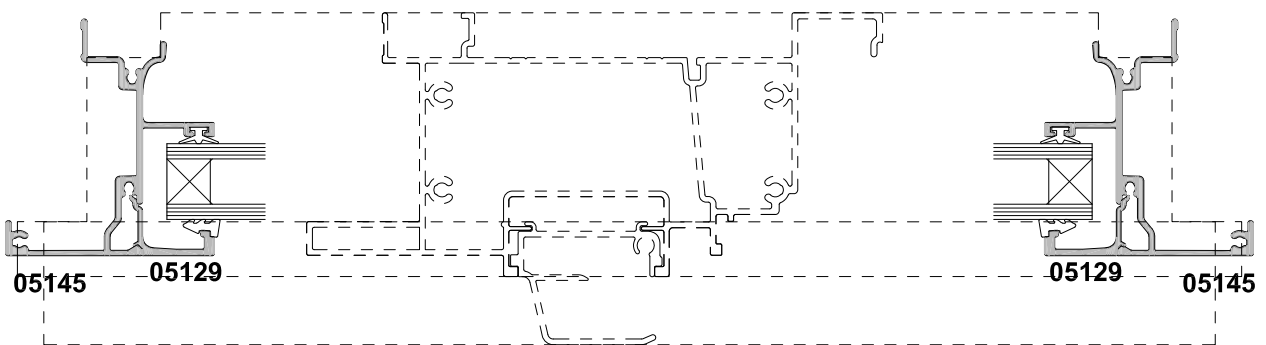
Date 01.04.19 Scale 1:2



SECTION A-A



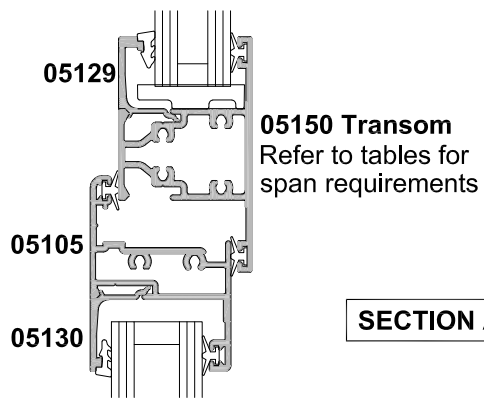
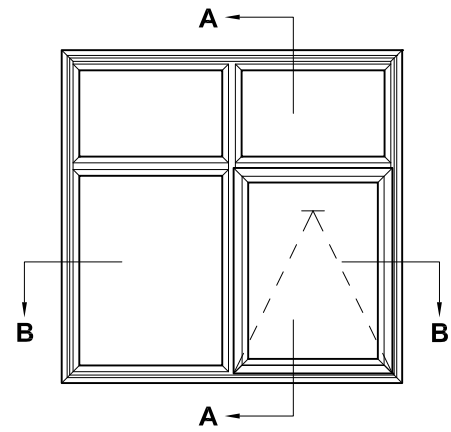
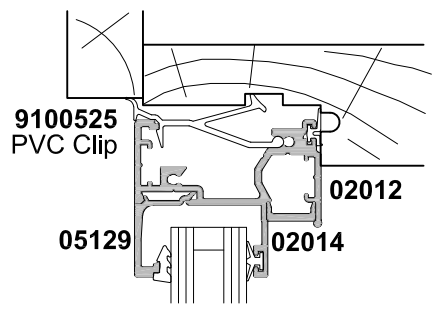
SECTION B-B



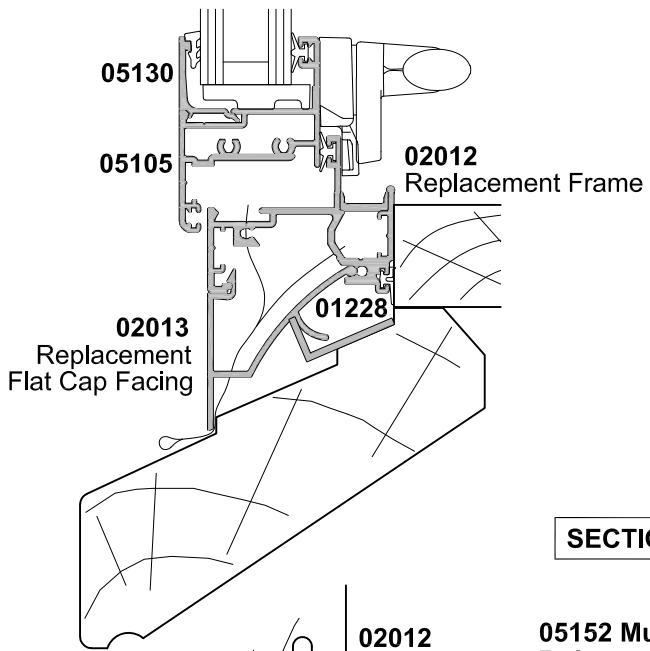
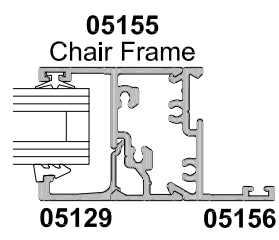
**AWNING WINDOW
REPLACEMENT FRAME AND CHAIR FRAME**

CROSS SECTION

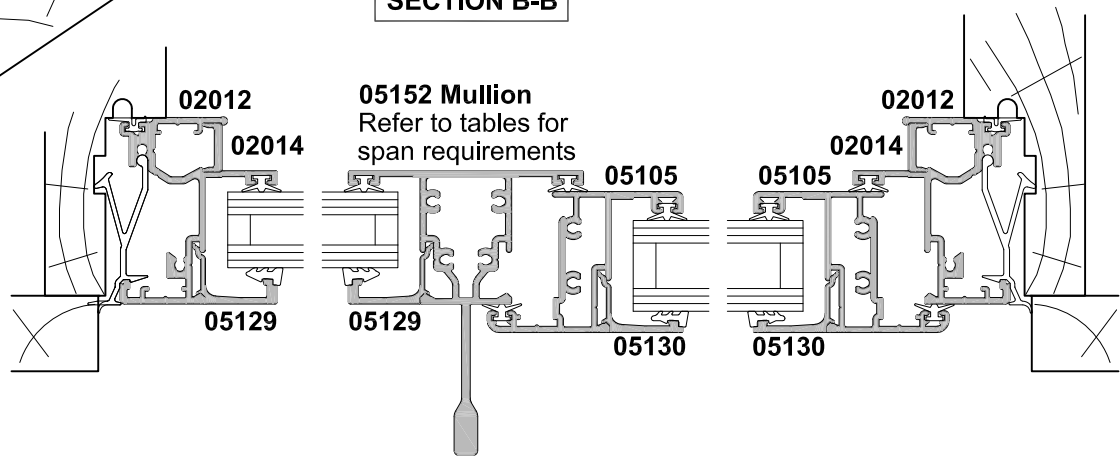
Date 01.04.19 Scale 1:2



SECTION A-A



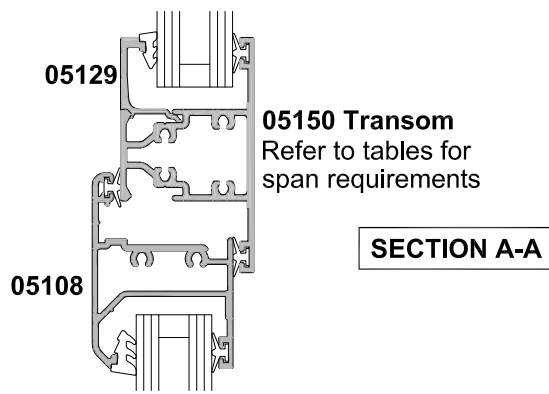
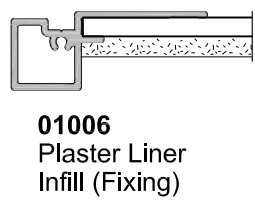
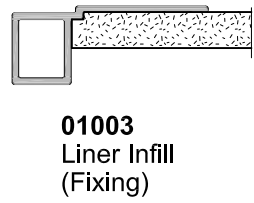
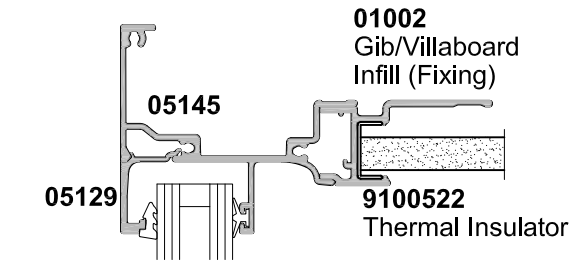
SECTION B-B



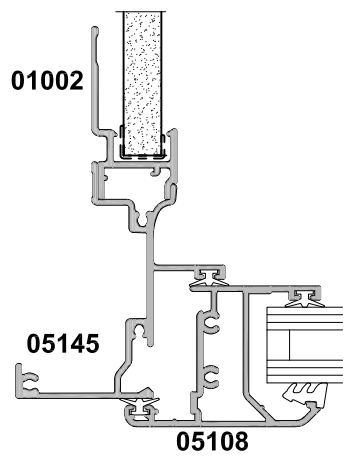
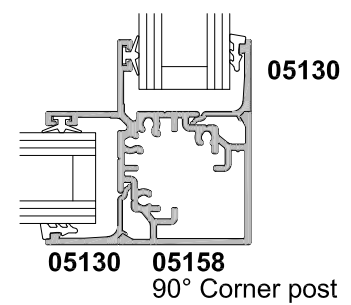
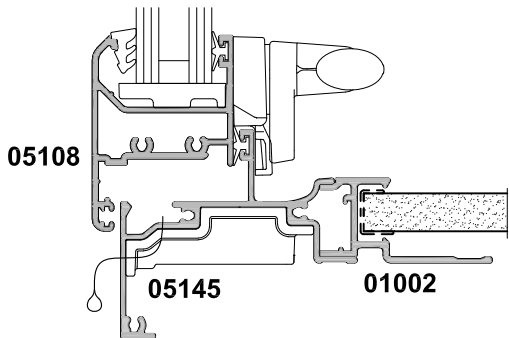
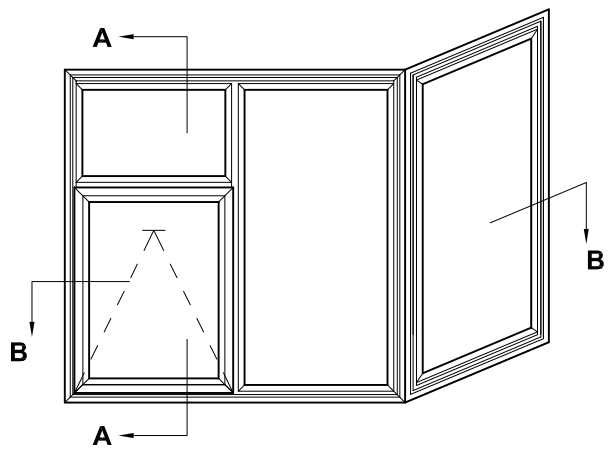
AWNING WINDOW
90° AND 135° CORNER POSTS AND LINER ADAPTORS

CROSS SECTION

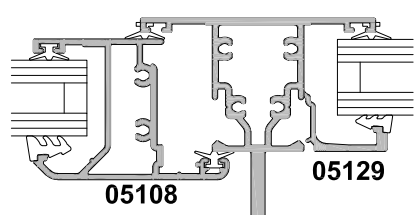
Date 01.04.19 Scale 1:2



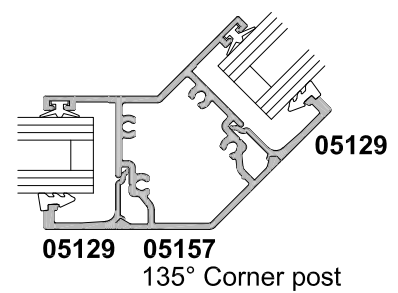
SECTION A-A



05153 Mullion
Refer to tables for span requirements



SECTION B-B



**CASEMENT WINDOW AND
FRENCH CASEMENT WINDOW, D/G SASH & FIXED LIGHT
CROSS SECTION**

Date 01.04.19 Scale 1:2

