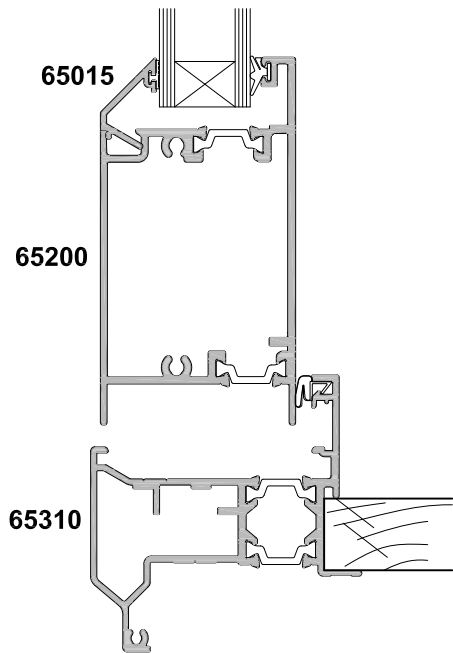
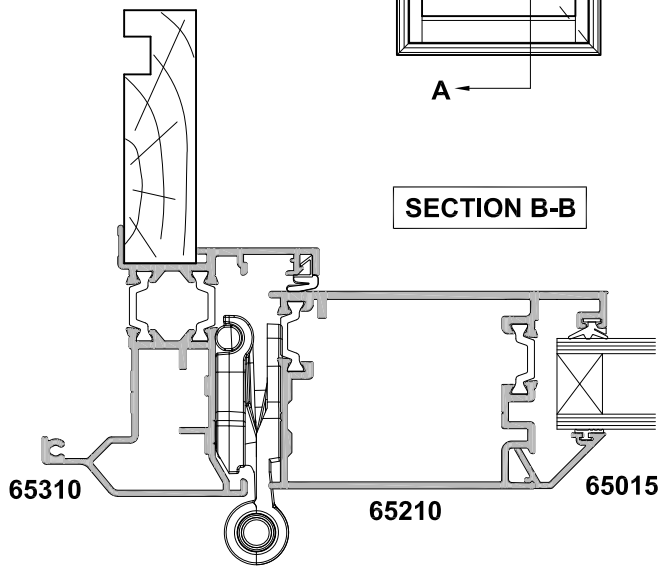
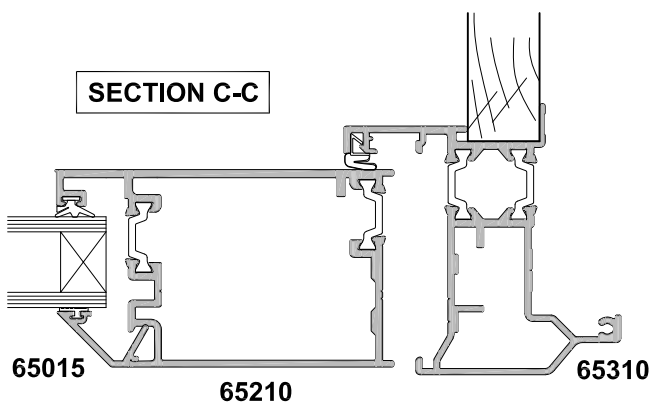


SECTION B-B

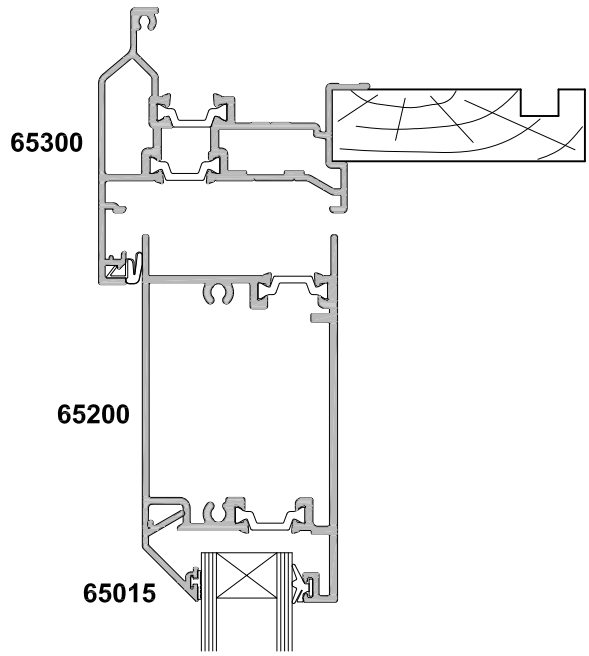


SECTION C-C

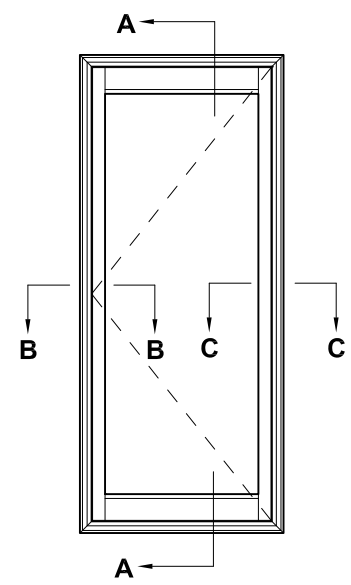


CROSS SECTION

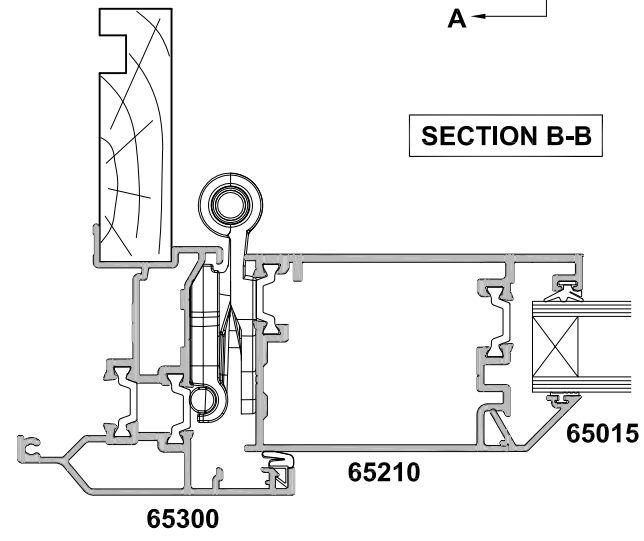
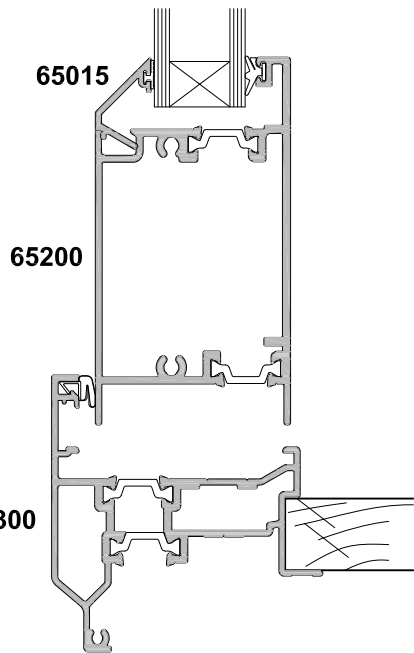
Date 31.01.18 Scale 1:2



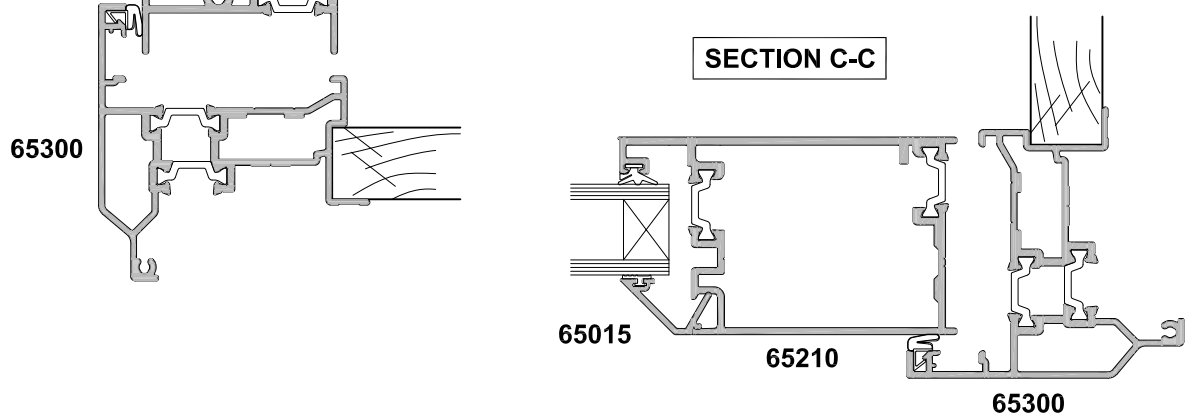
SECTION A-A



SECTION B-B

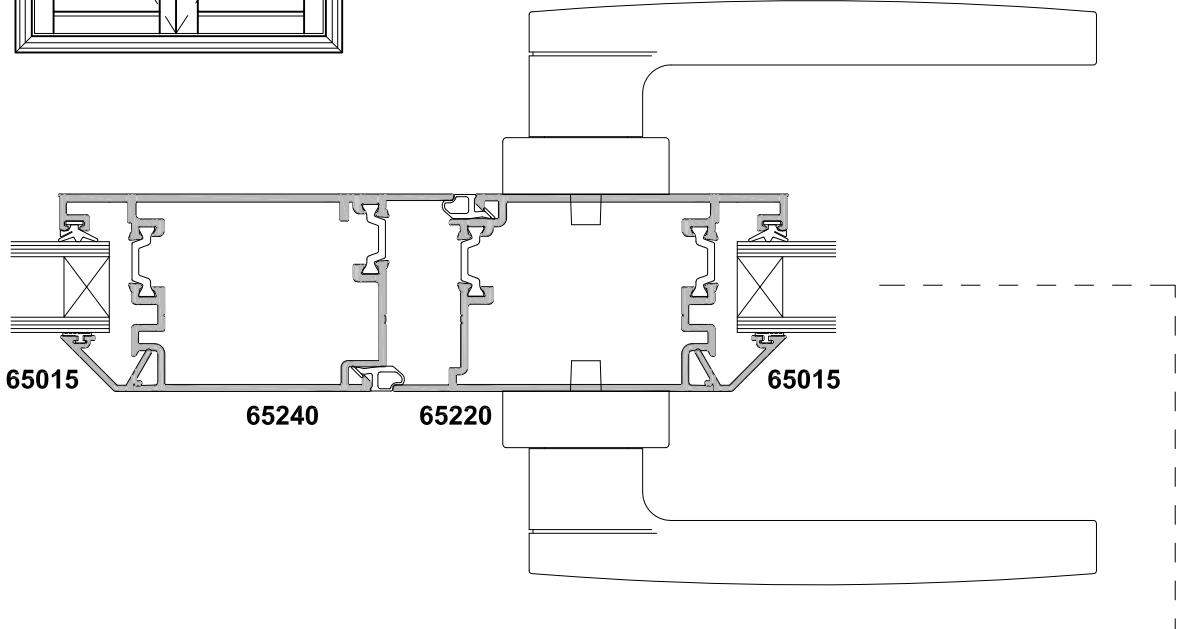
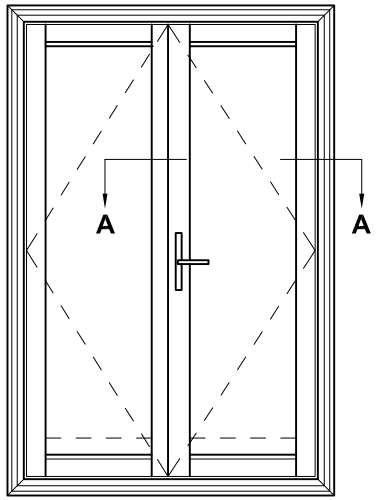


SECTION C-C

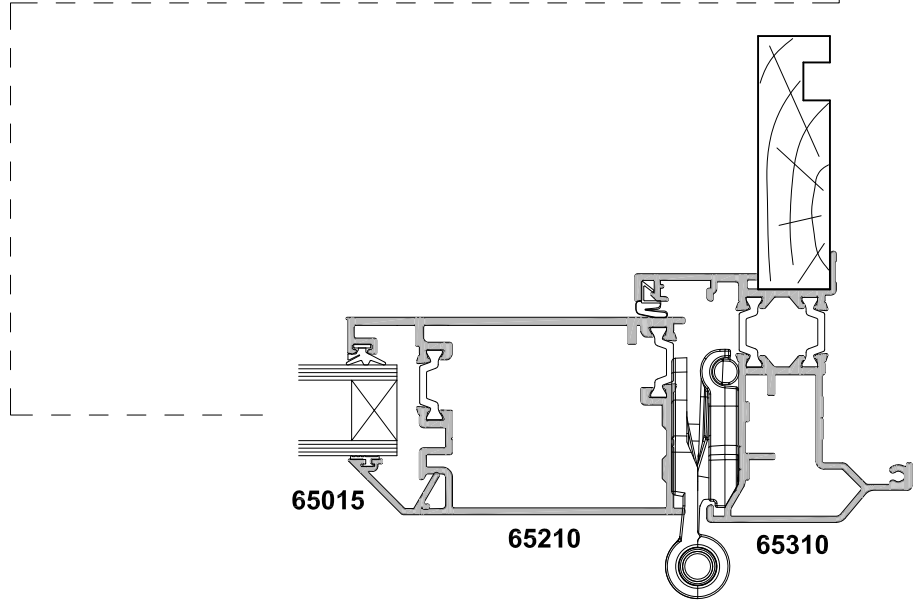


**FIRST THERMAL HEART
HINGED DOOR
OPEN OUT FRENCH DOOR
CROSS SECTION**

Date 31.01.18 Scale 1:2

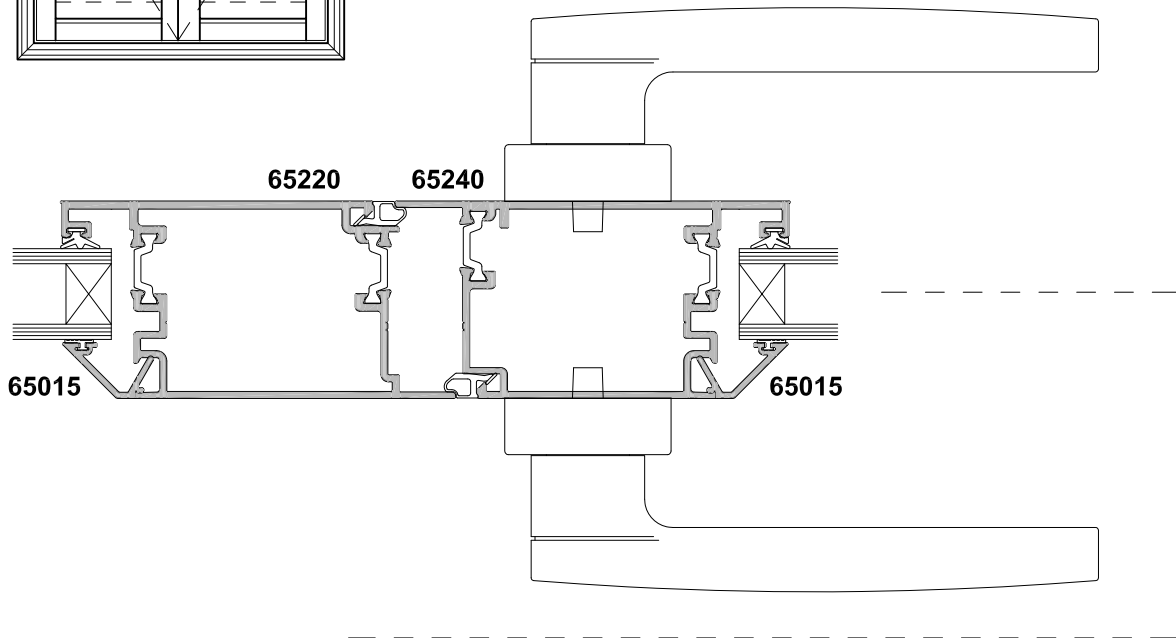
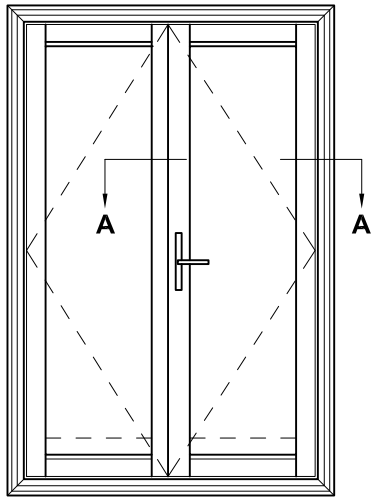


SECTION A-A

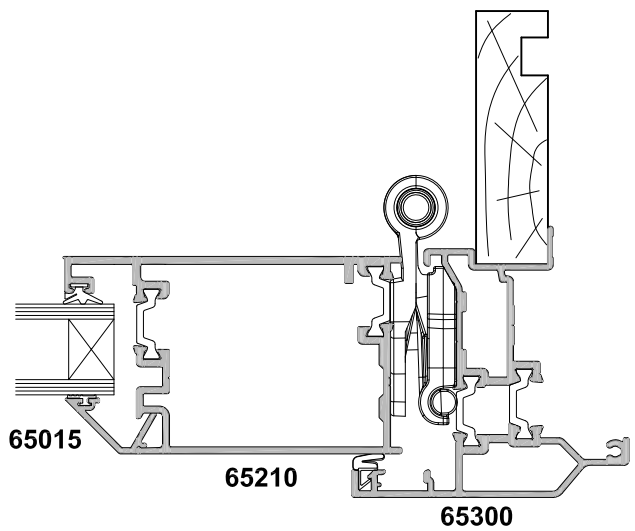


**FIRST THERMAL HEART
HINGED DOOR
OPEN IN FRENCH DOOR
CROSS SECTION**

Date 01.02.18 Scale 1:2

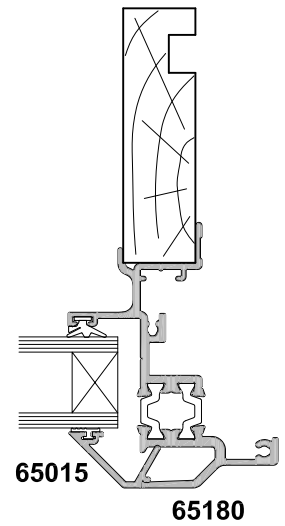
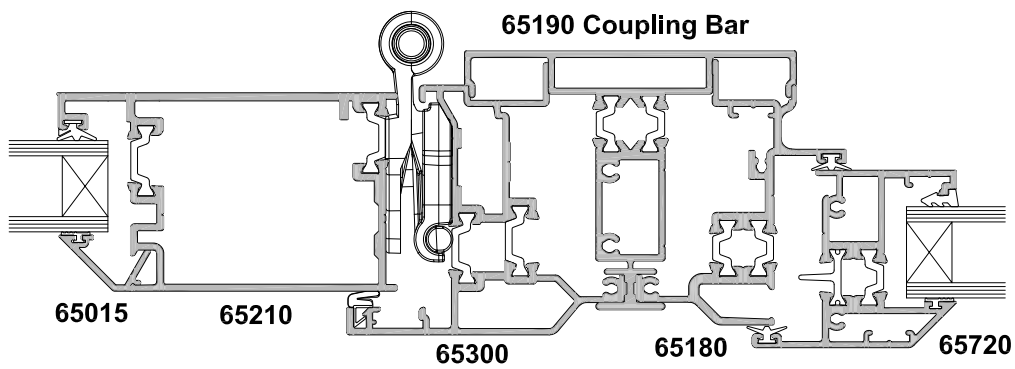
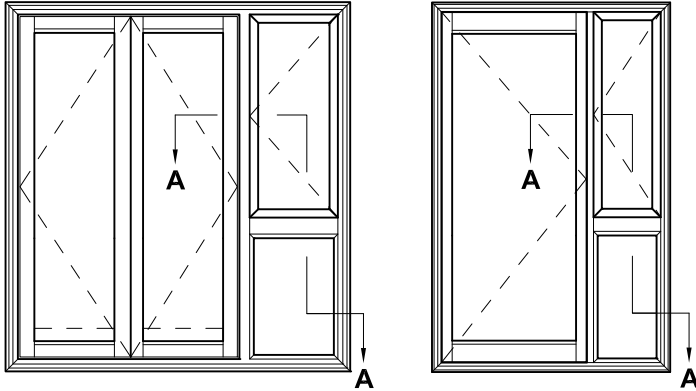


SECTION A-A

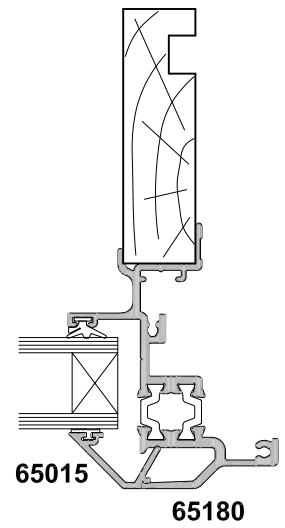
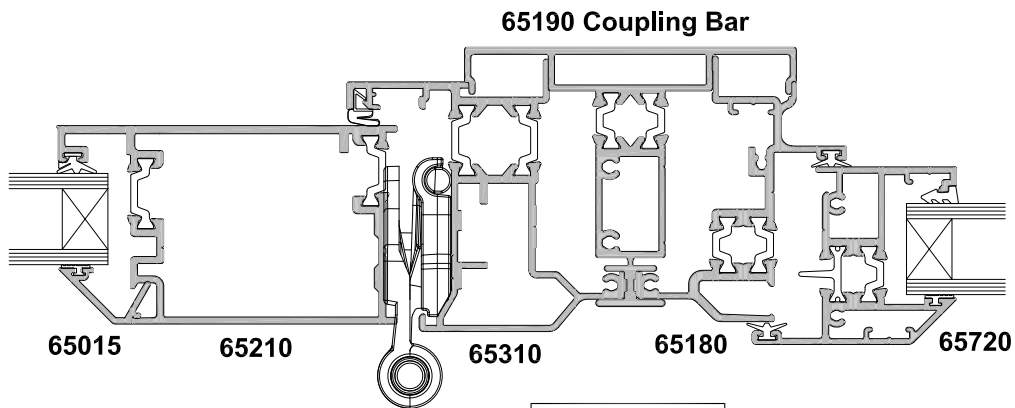


**FIRST THERMAL HEART
HINGED DOOR
COUPLED SIDELIGHT
CROSS SECTION**

Date 01.02.18 Scale 1:2



**SECTION A-A
OPEN IN DOOR**



**SECTION A-A
OPEN OUT DOOR**

**FIRST THERMAL HEART
HINGED DOOR
COUPLED OVERLIGHT
CROSS SECTION**

Date 01.02.18 Scale 1:2

