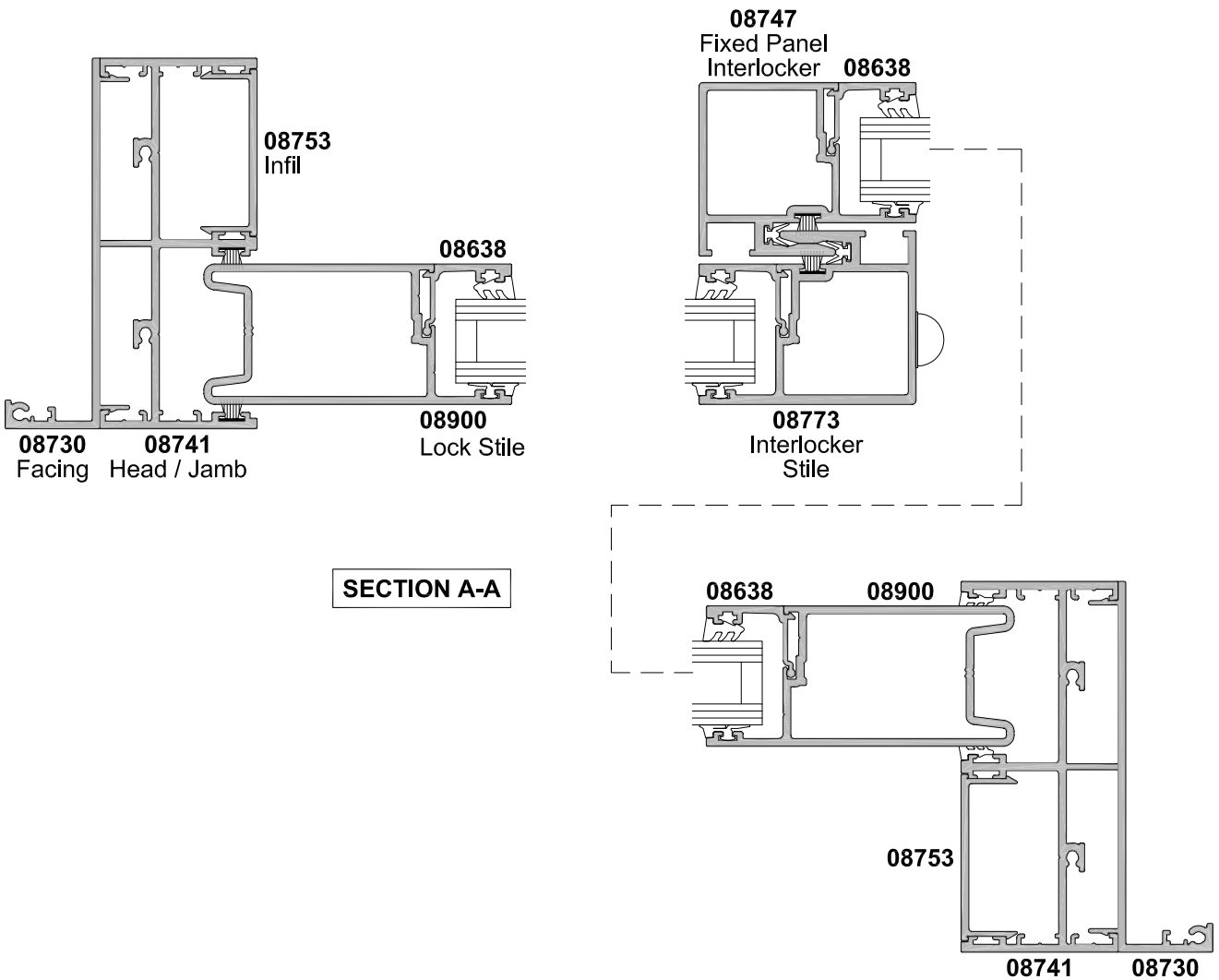
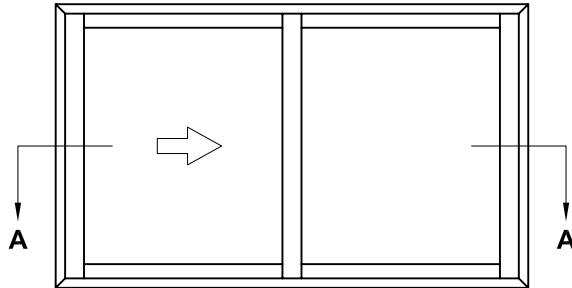


**APL ARCHITECTURAL SERIES**  
**F200AS SLIDING WINDOW -**  
**TWIN TRACK TWO PANEL SF (HORIZONTAL)**

**CROSS SECTION**

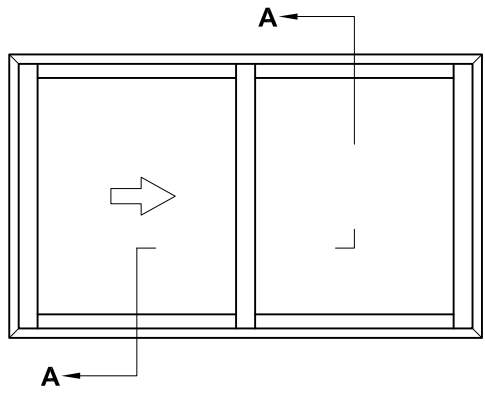
Date 01.11.09 Scale 1:2



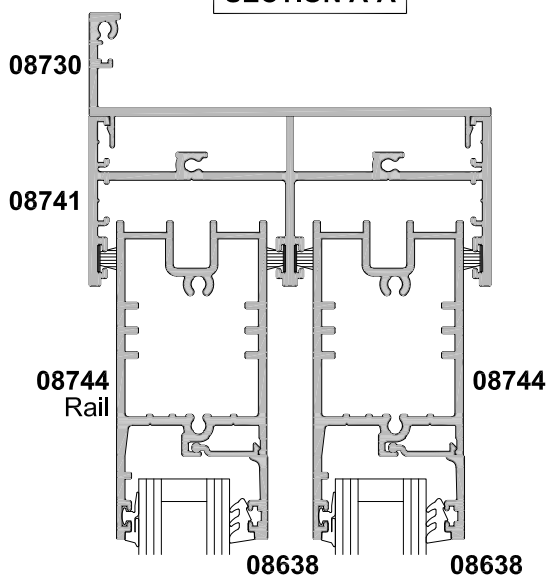
**APL ARCHITECTURAL SERIES**  
**SLIDING WINDOW -**  
**TWIN TRACK TWO PANEL SF (VERTICAL)**

**CROSS SECTION**

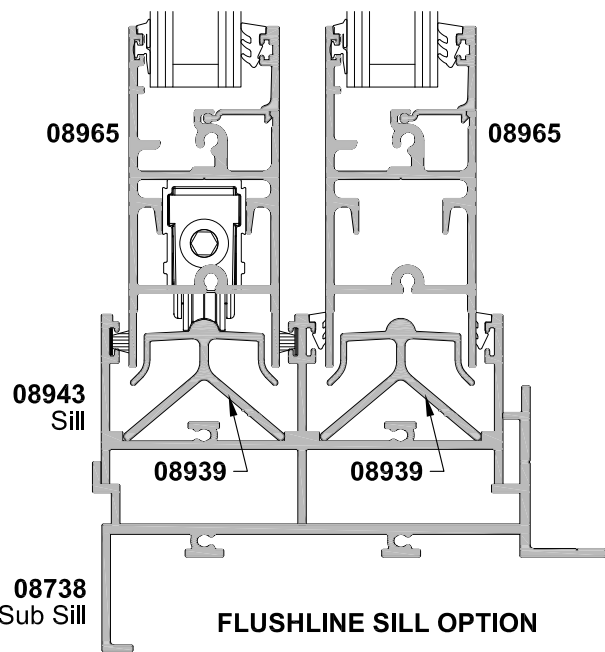
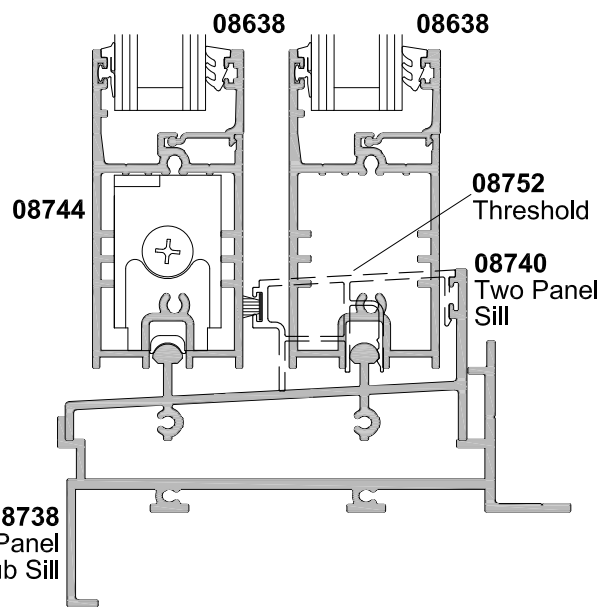
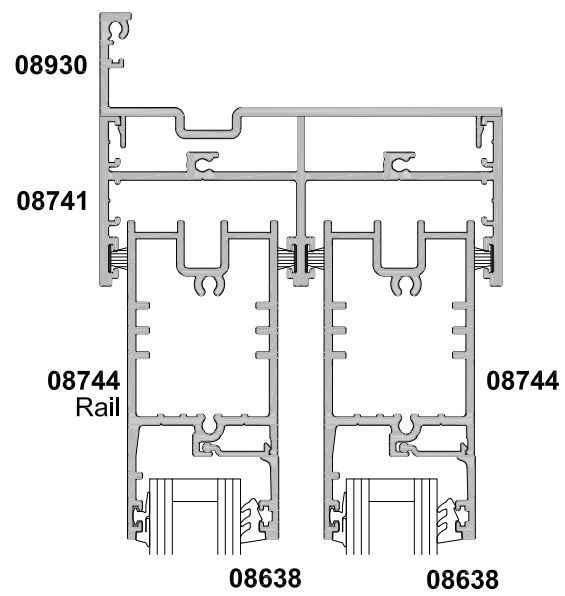
Date 27.09.19 Scale 1:2



**SECTION A-A**



**106mm DRAINED FACING OPTION**

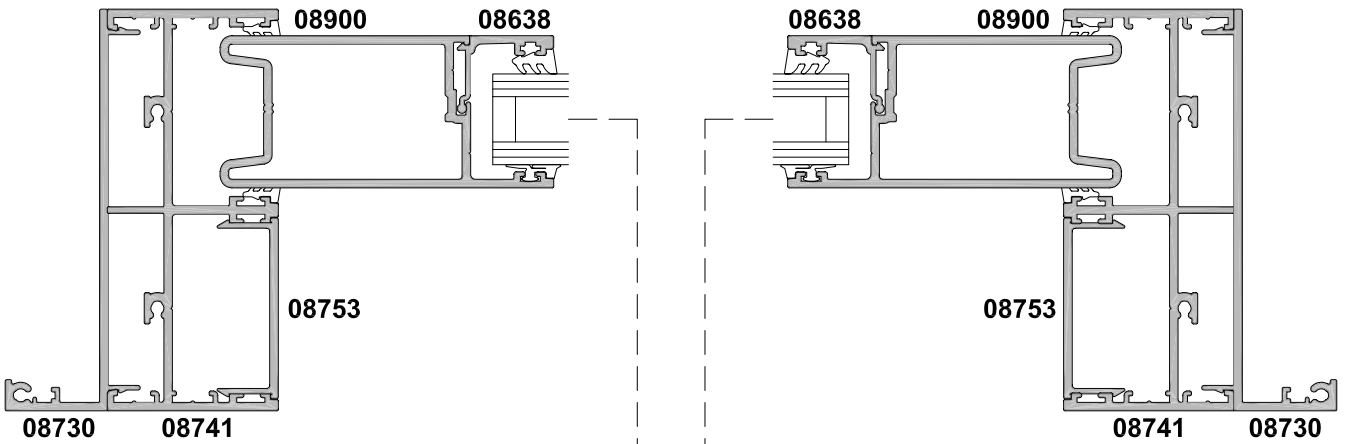
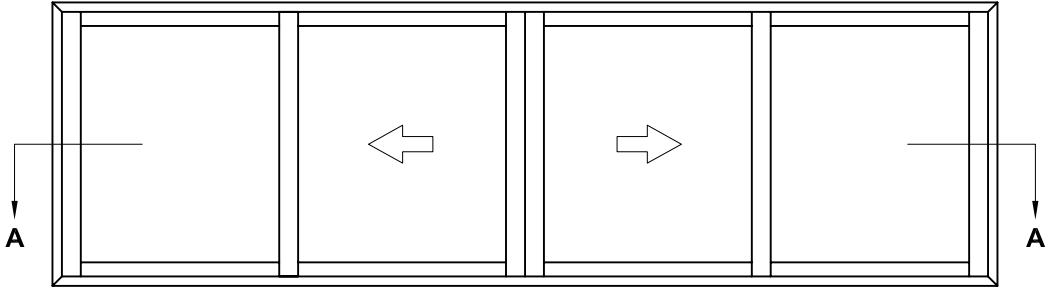


**FLUSHLINE SILL OPTION**

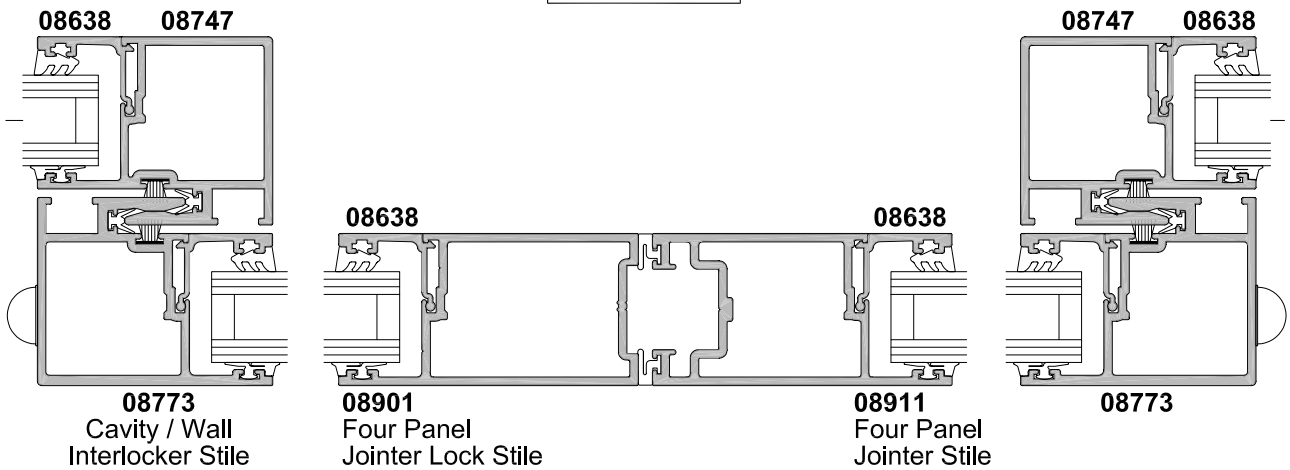
**APL ARCHITECTURAL SERIES  
F200AS SLIDING WINDOW -  
TWIN TRACK FOUR PANEL FSSF**

**CROSS SECTION**

Date 01.11.09 Scale 1:2



**SECTION A-A**





Cad Ref. FASW05-0

**APL ARCHITECTURAL SERIES  
F200AS SLIDING WINDOW -  
TWIN TRACK THREE PANEL SFS WITH CENTRAL STOP  
CROSS SECTION**

Date 01.11.09 Scale 1:2

