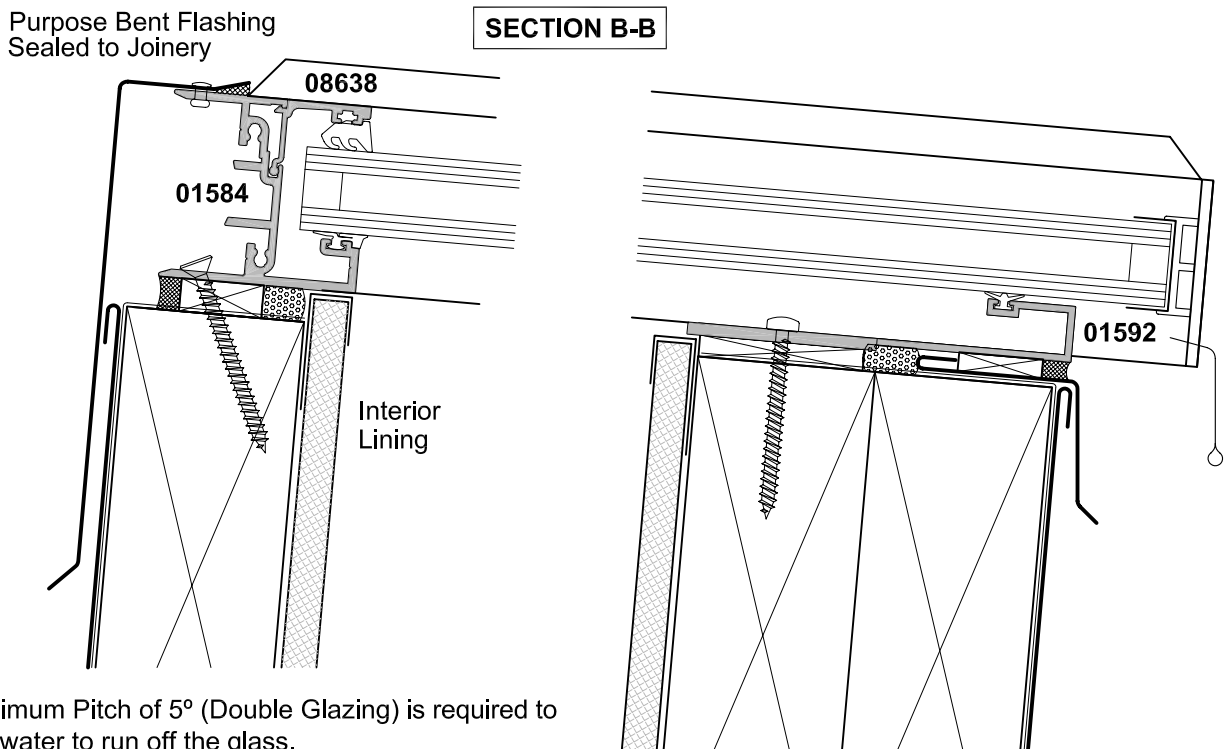
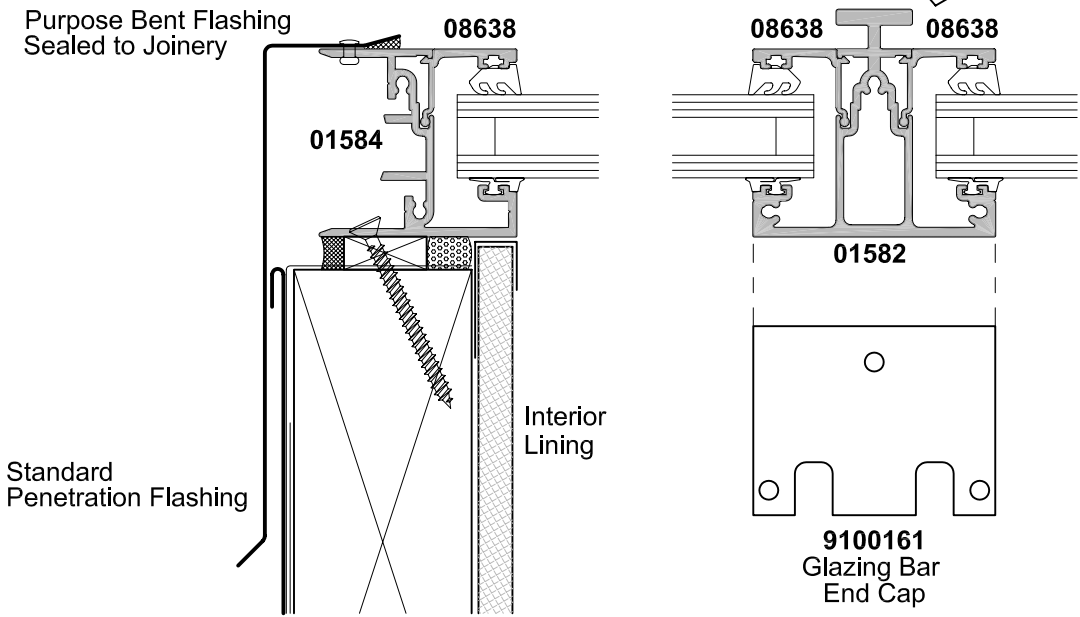
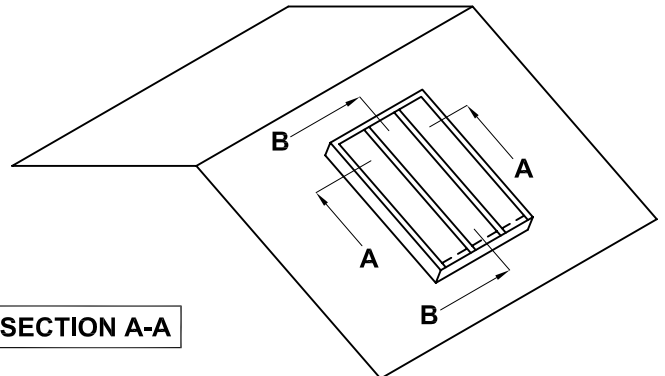


**F100GB GLAZING BARS
FIXED SKYLIGHT, SMALL FIN RAFTER**

CROSS SECTION

Date 01.11.09 Scale 1:2



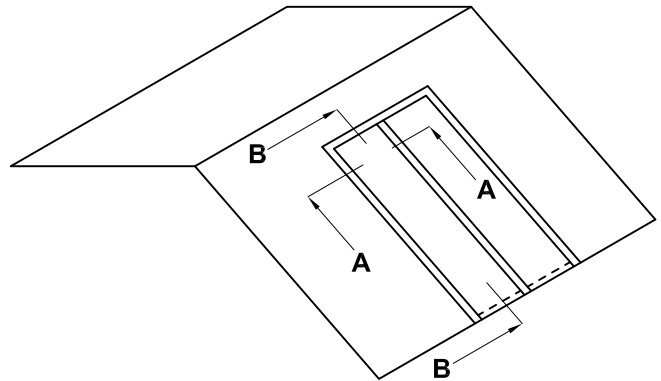
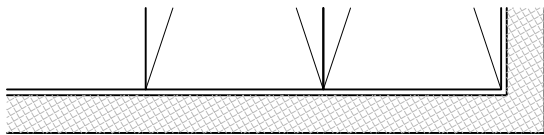
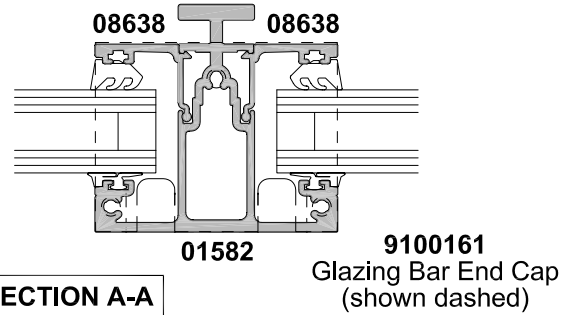
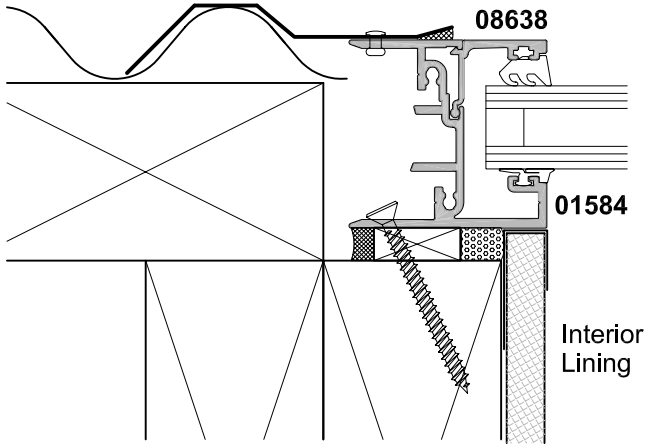
Note:
A Minimum Pitch of 5° (Double Glazing) is required to allow water to run off the glass.

**F100GB GLAZING BARS
FIXED SKYLIGHT, SMALL FIN RAFTER**

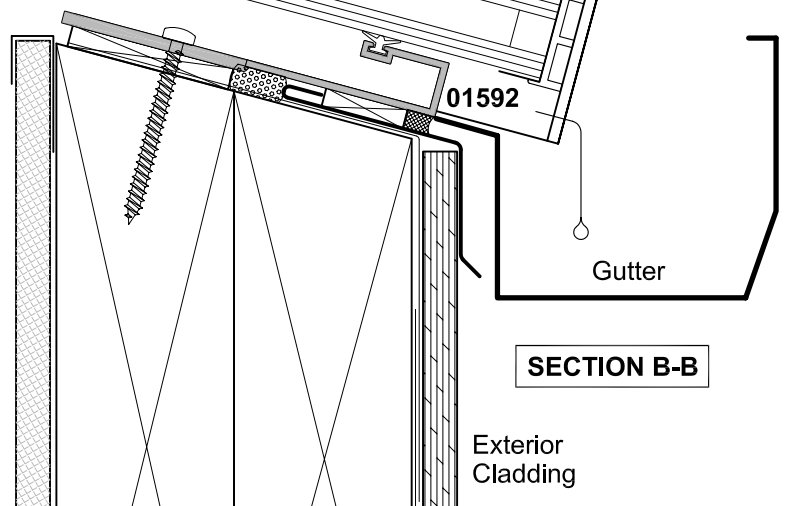
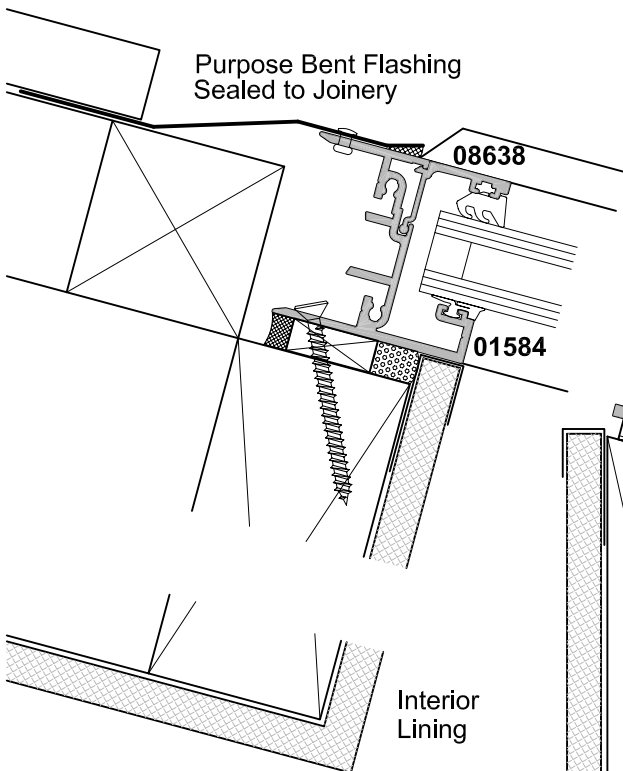
CROSS SECTION

Date 01.11.09 Scale 1:2

Purpose Bent Flashing
Sealed to Joinery



Purpose Bent Flashing
Sealed to Joinery



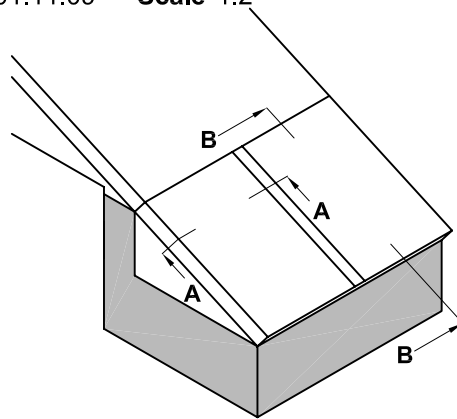
Note:
A Minimum Pitch of 5° (Double Glazing) is
required to allow water to run off the glass.

F100GB GLAZING BARS

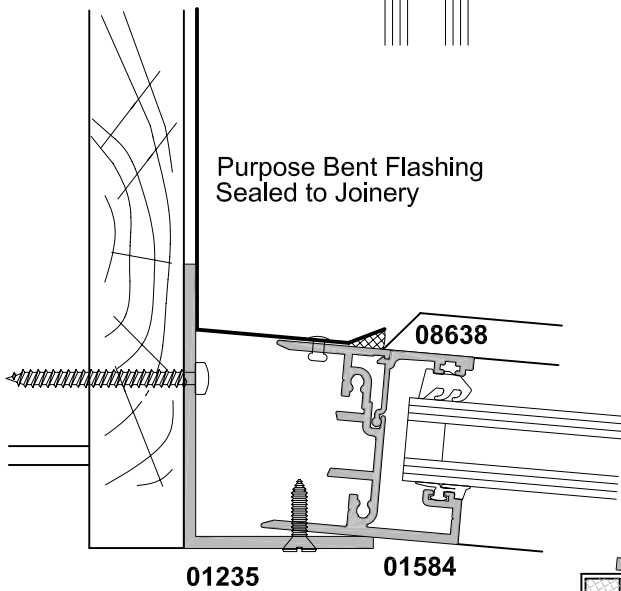
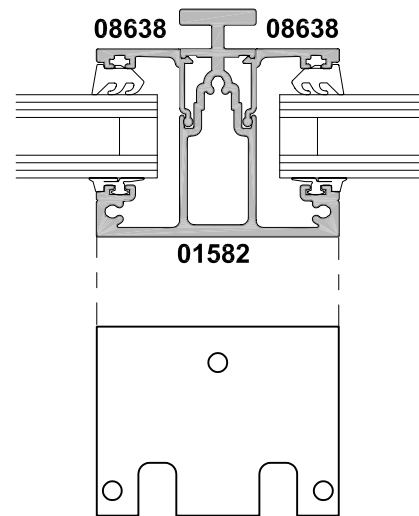
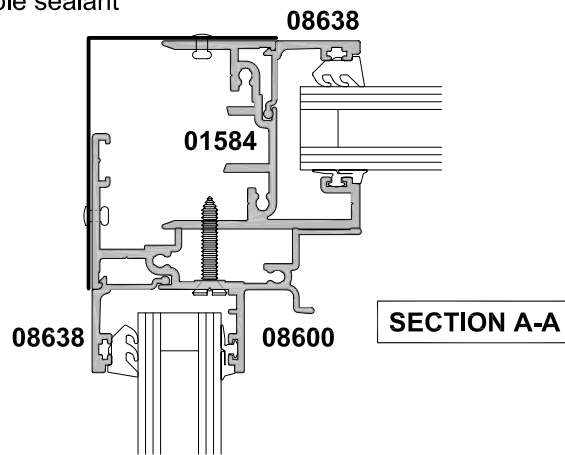
GABLE GLAZING LEAN-TO, SMALL FIN RAFTER

CROSS SECTION

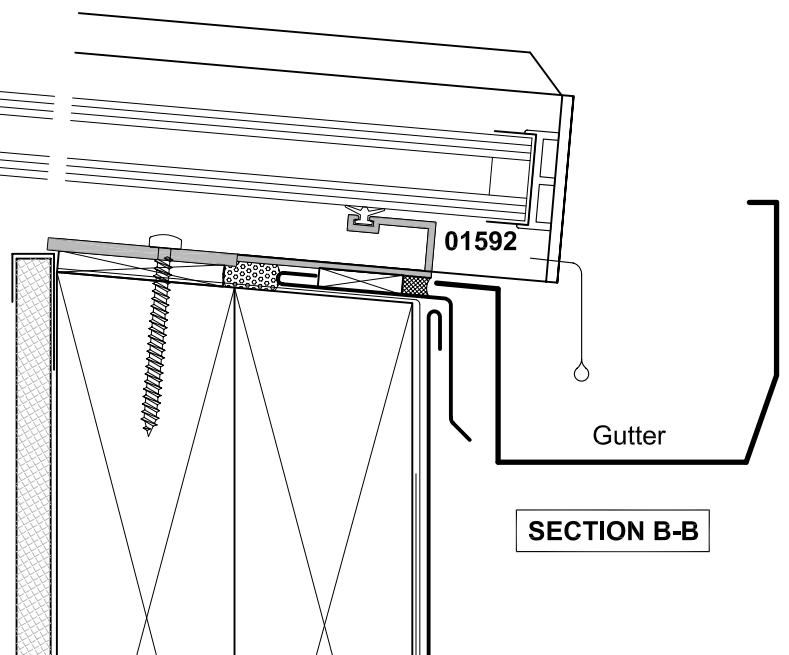
Date 01.11.09 Scale 1:2



Folded flashing on bed of suitable sealant



SECTION B-B



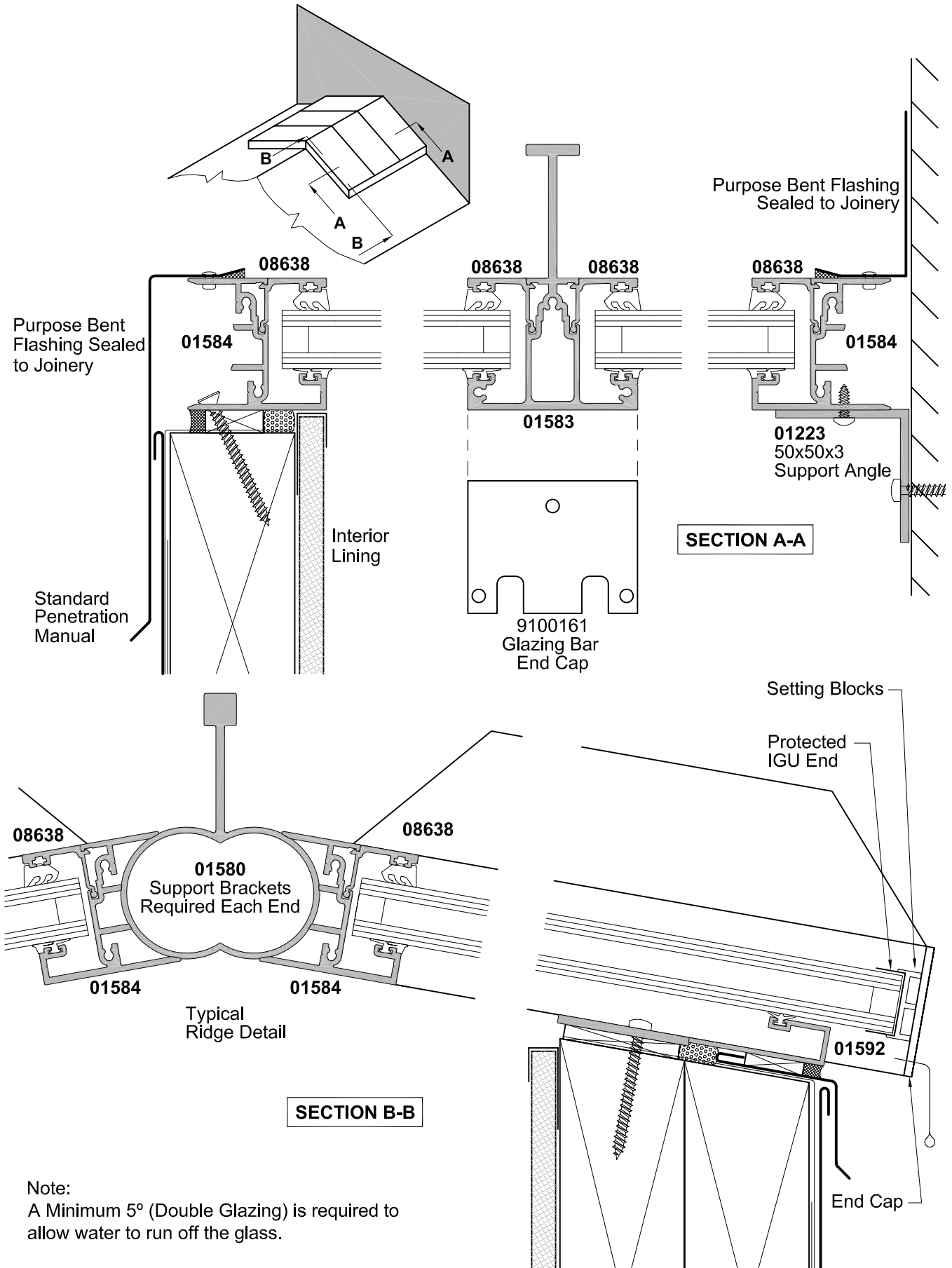
SECTION B-B

Note:
A Minimum Pitch of 5° (Double Glazing) is required to allow water to run off the glass.

**F100GB GLAZING BARS, DOUBLE PITCH
RIDGE SKYLIGHT, LARGE FIN RAFTER**

CROSS SECTION

Date 01.11.09 Scale 1:2

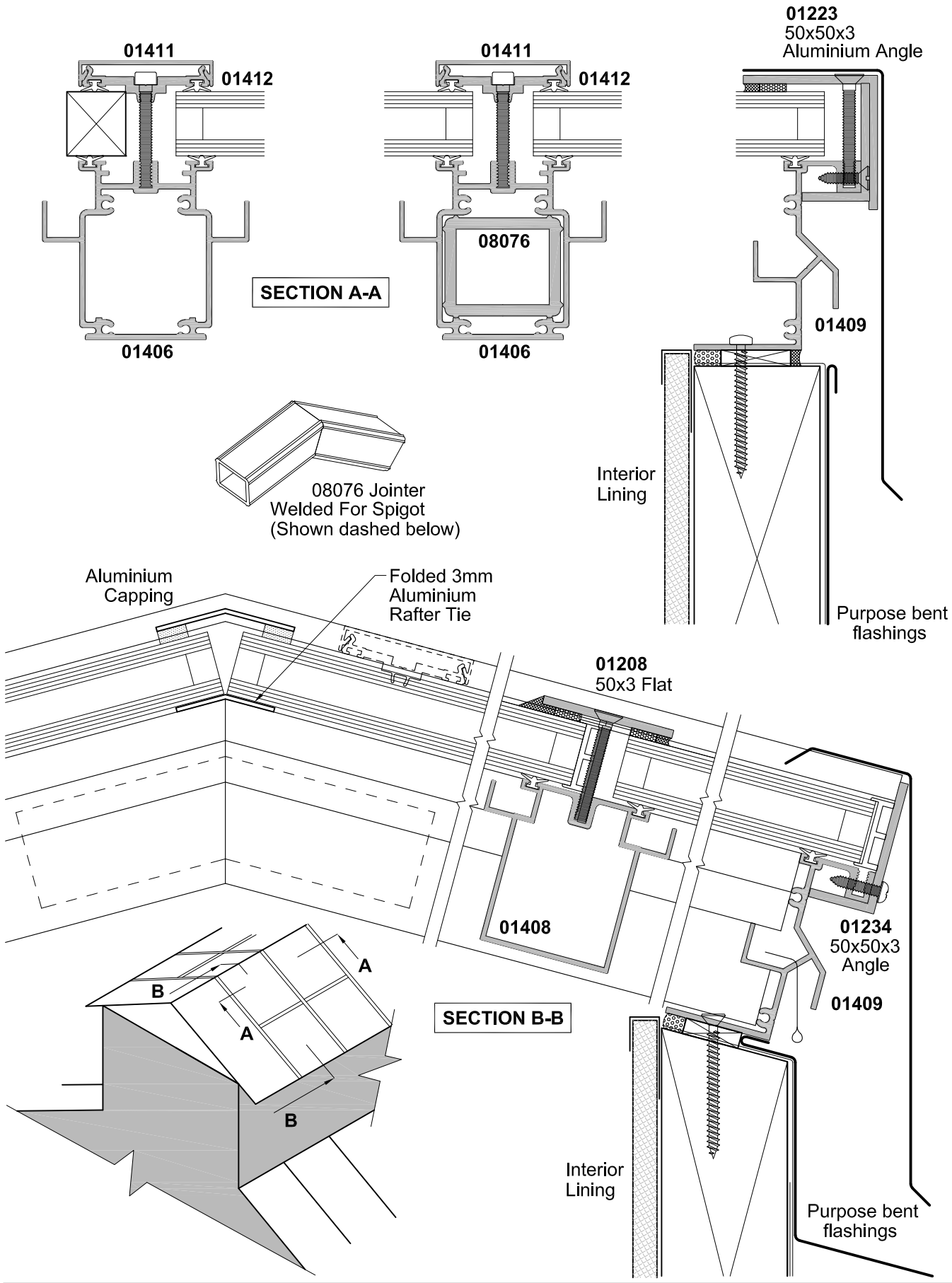


Note:
A Minimum 5° (Double Glazing) is required to allow water to run off the glass.

**GLAZING BARS DOUBLE PITCH
ROOF GLAZING, CONDENSATION COLLECTION**

CROSS SECTION

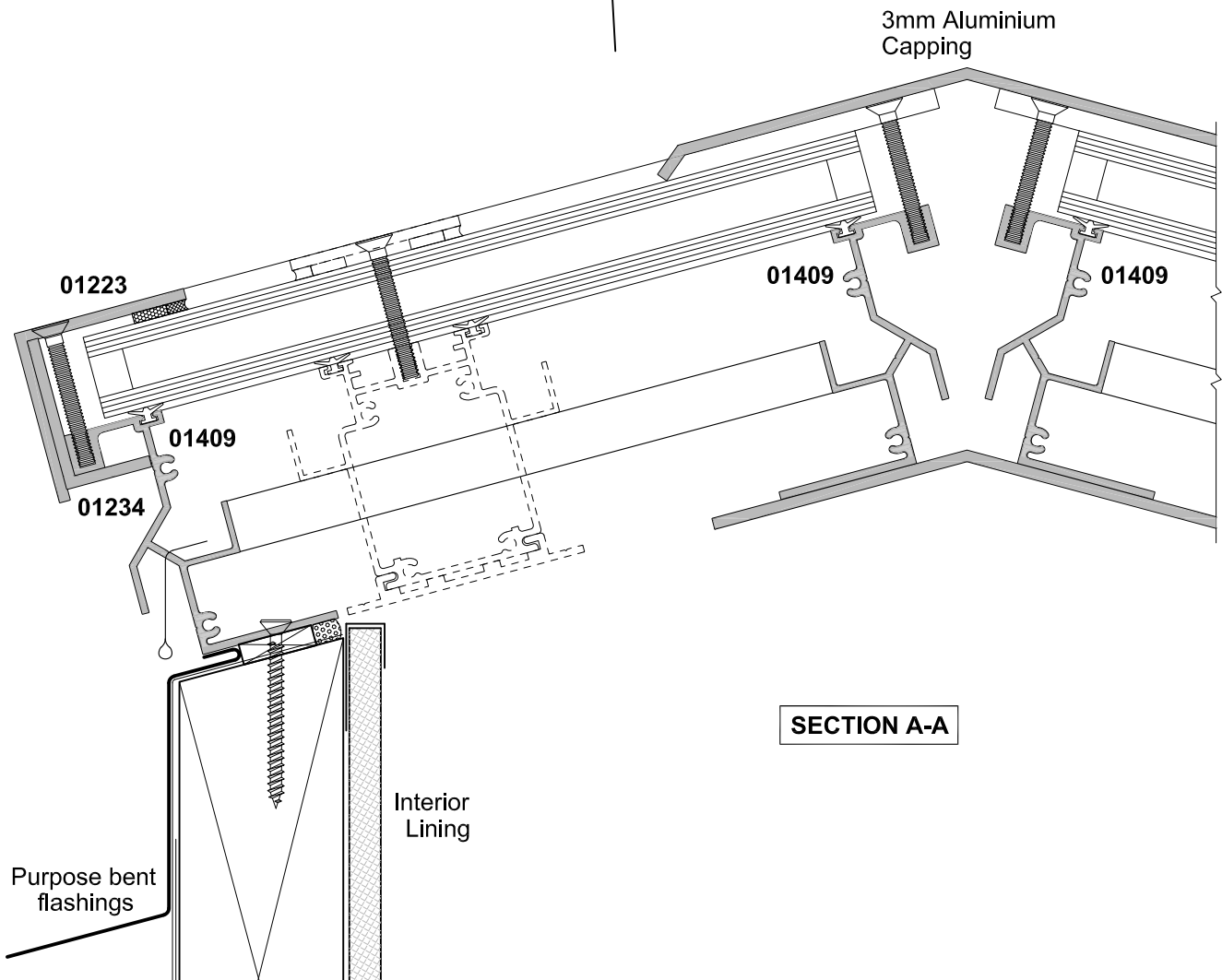
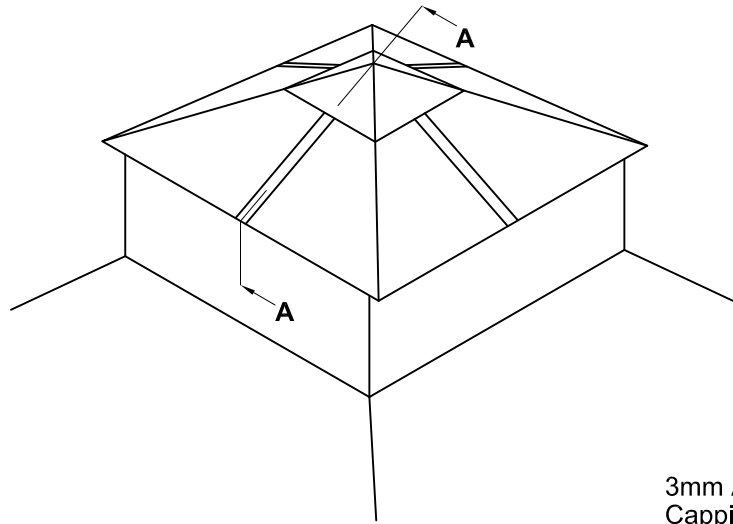
Date 08.06.20 Scale 1:2



**GLAZING BARS, PYRAMID ROOF,
CONDENSATION COLLECTION**

CROSS SECTION

Date 08.06.20 Scale 1:2

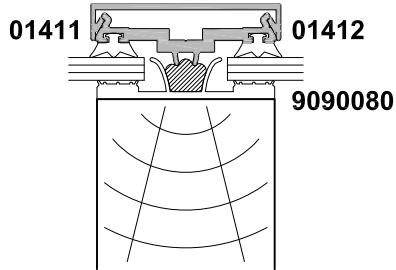


SECTION A-A

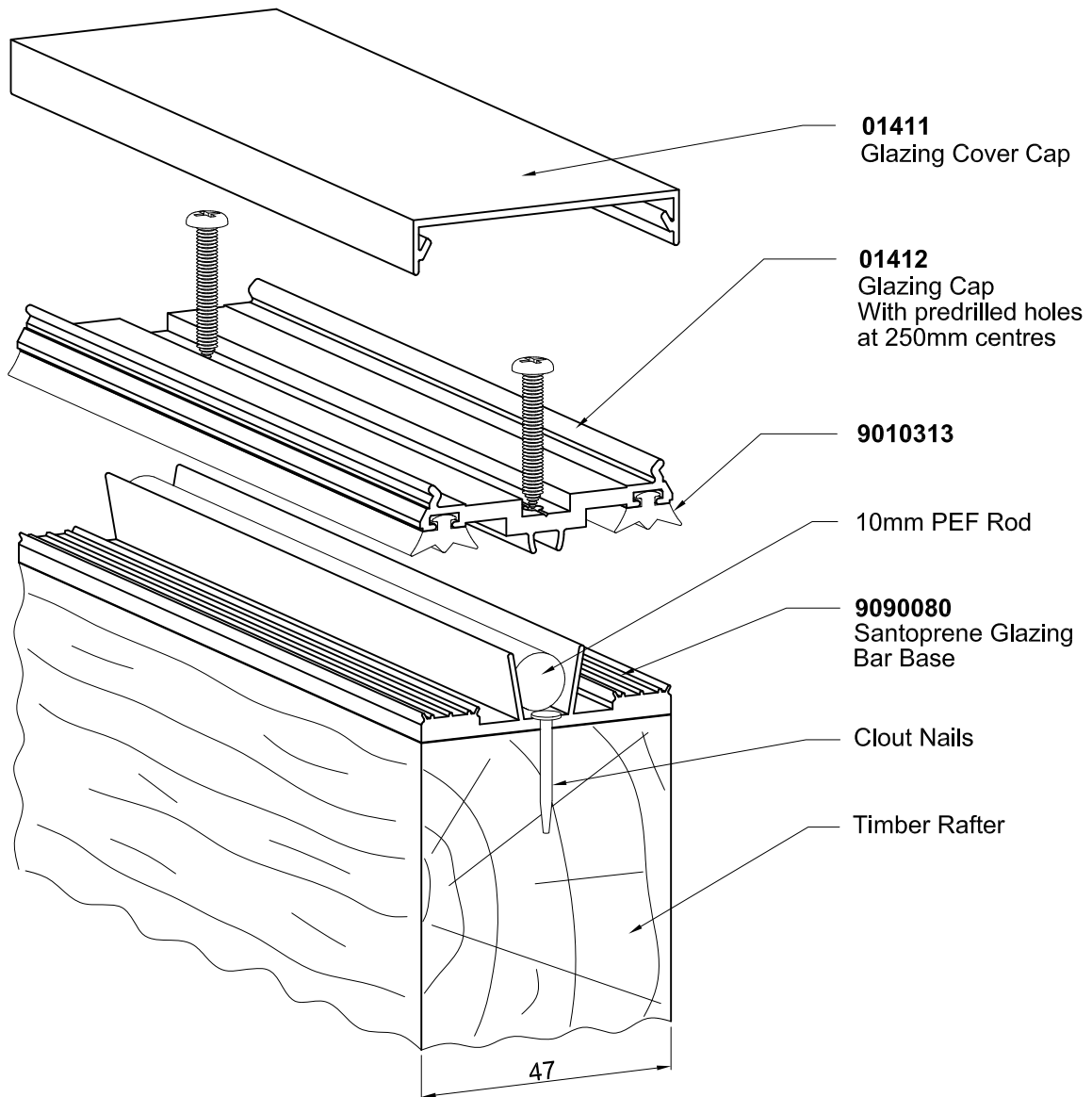
GLAZING BARS, TIMBER, SINGLE GLAZED

CROSS SECTION

Date 08.06.20 Scale 1:2



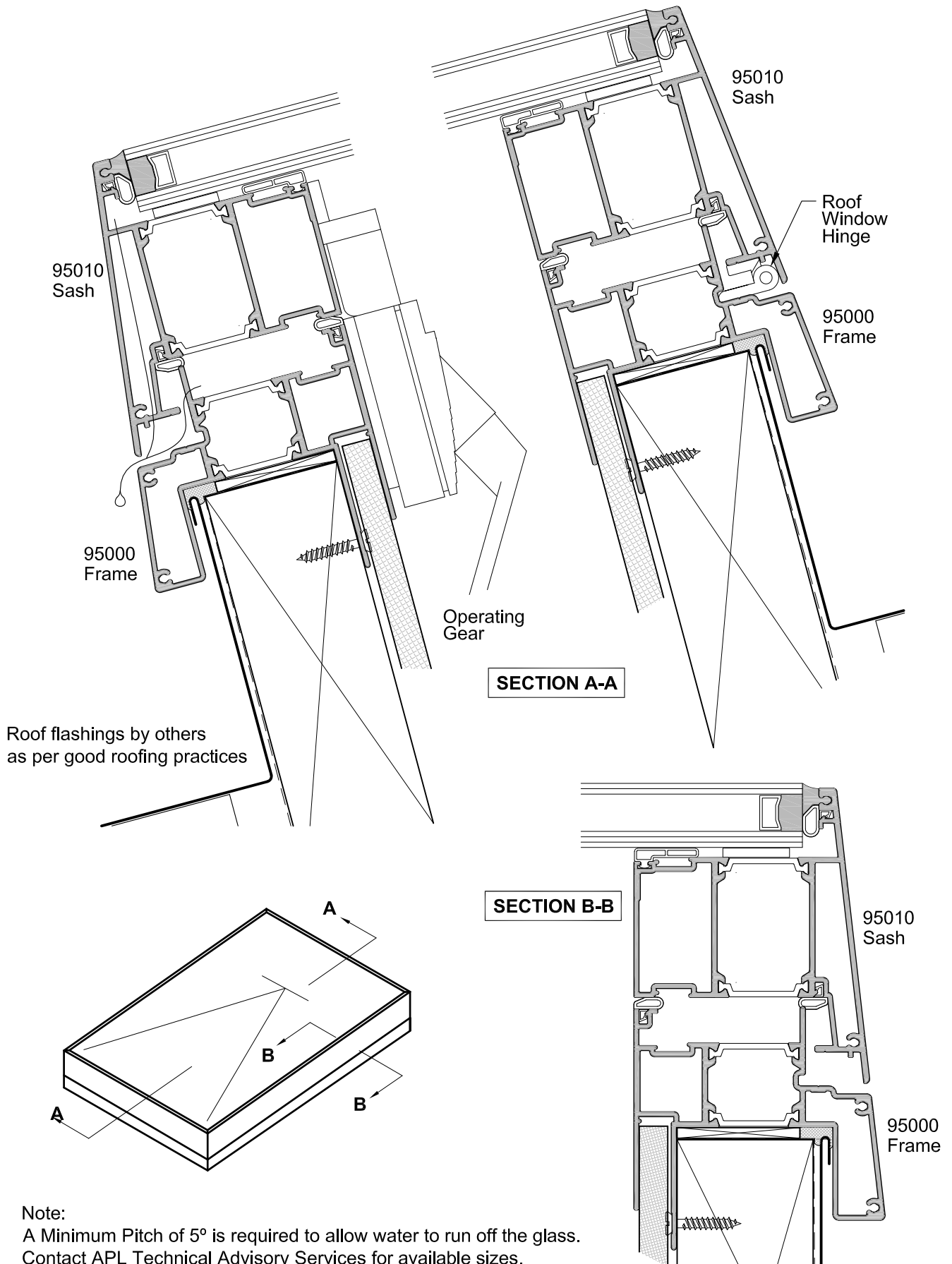
NOTE:
For External Use Only. Suitable Applications are Glazed Pergolas and Gazebos



ROOF WINDOW WITH THERMAL HEART

CROSS SECTION

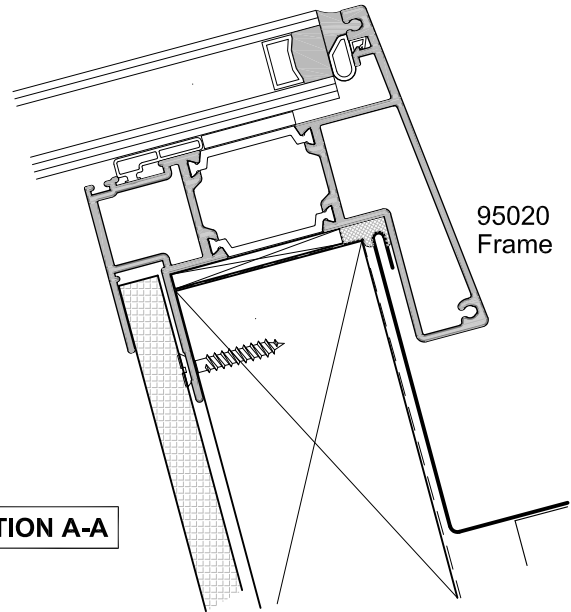
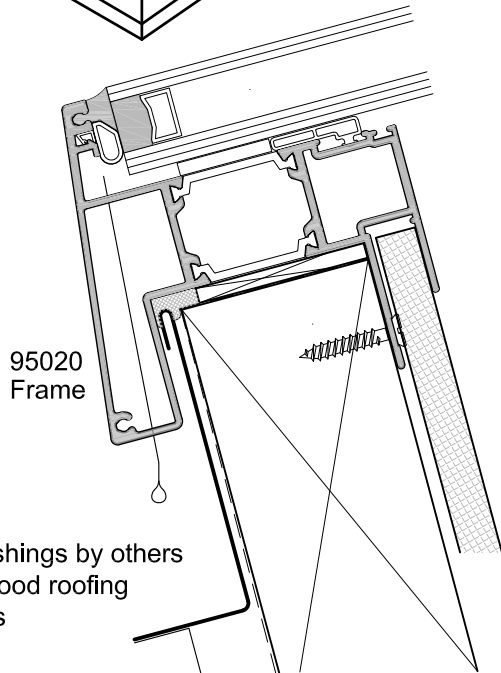
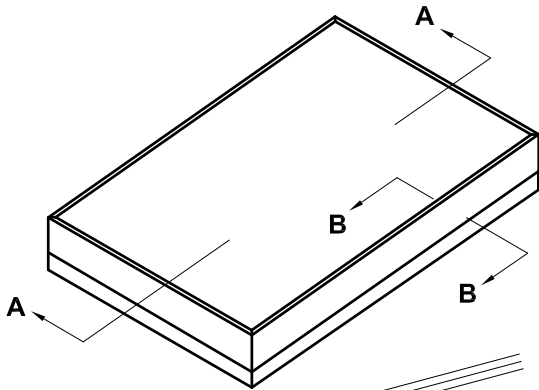
Date 08.06.20 Scale 1:2



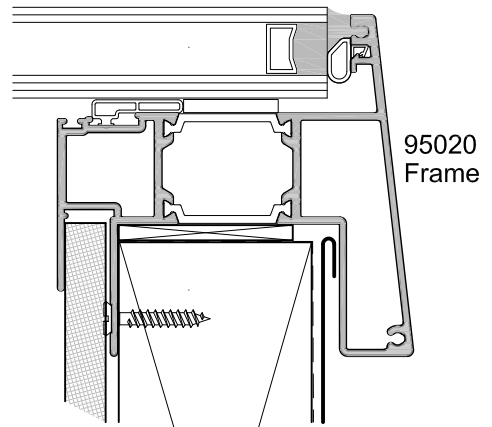
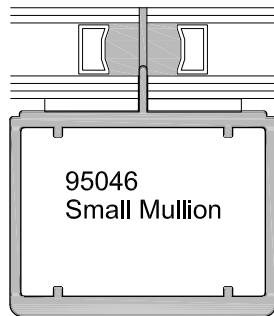
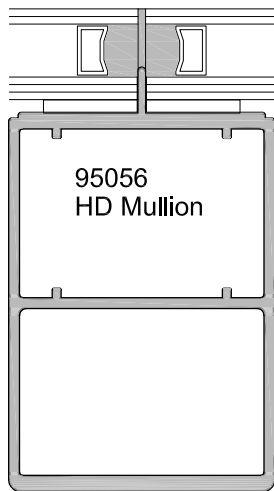
FIXED SKYLIGHT WITH THERMAL HEART

CROSS SECTION

Date 08.06.20 Scale 1:2



SECTION A-A



SECTION B-B

Note:

A Minimum Pitch of 5° is required to allow water to run off the glass.
Contact APL Technical Advisory Services for available sizes.