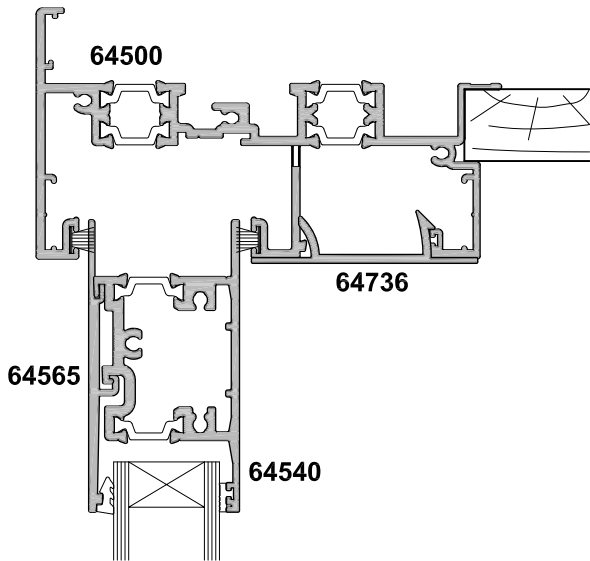
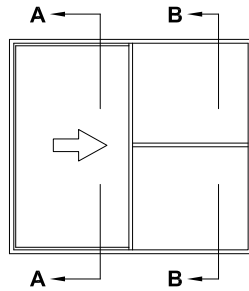
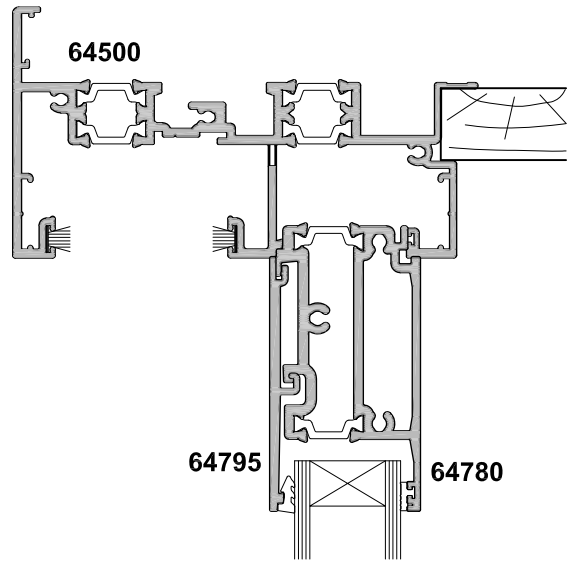


**METRO SERIES THERMAL HEART  
SLIDING DOOR  
TWO PANEL SF  
CROSS SECTION**

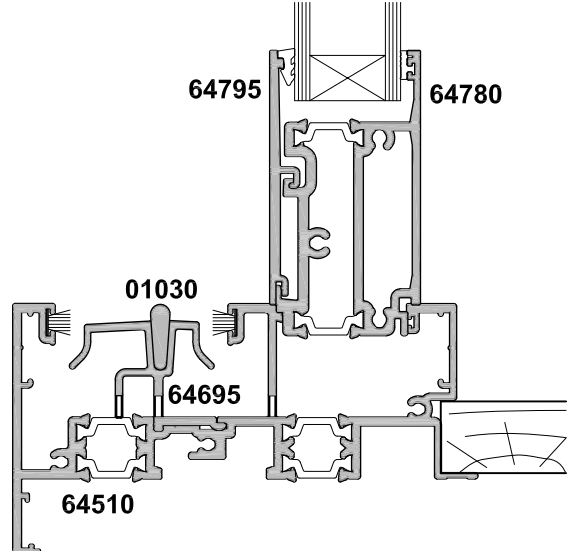
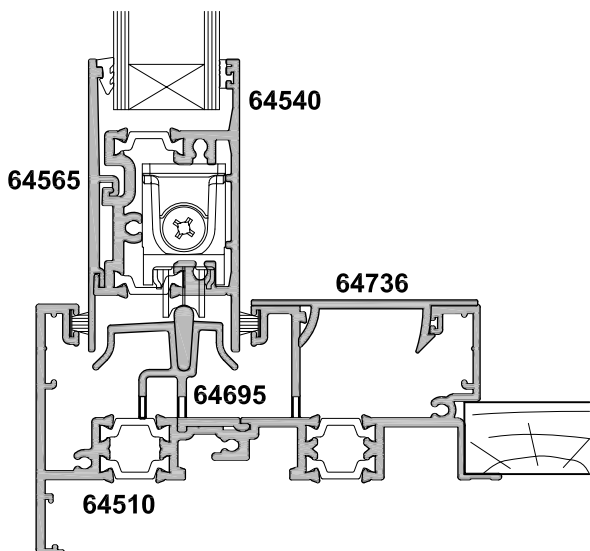
Date 01.04.15 Scale 1:2



**SECTION A-A**



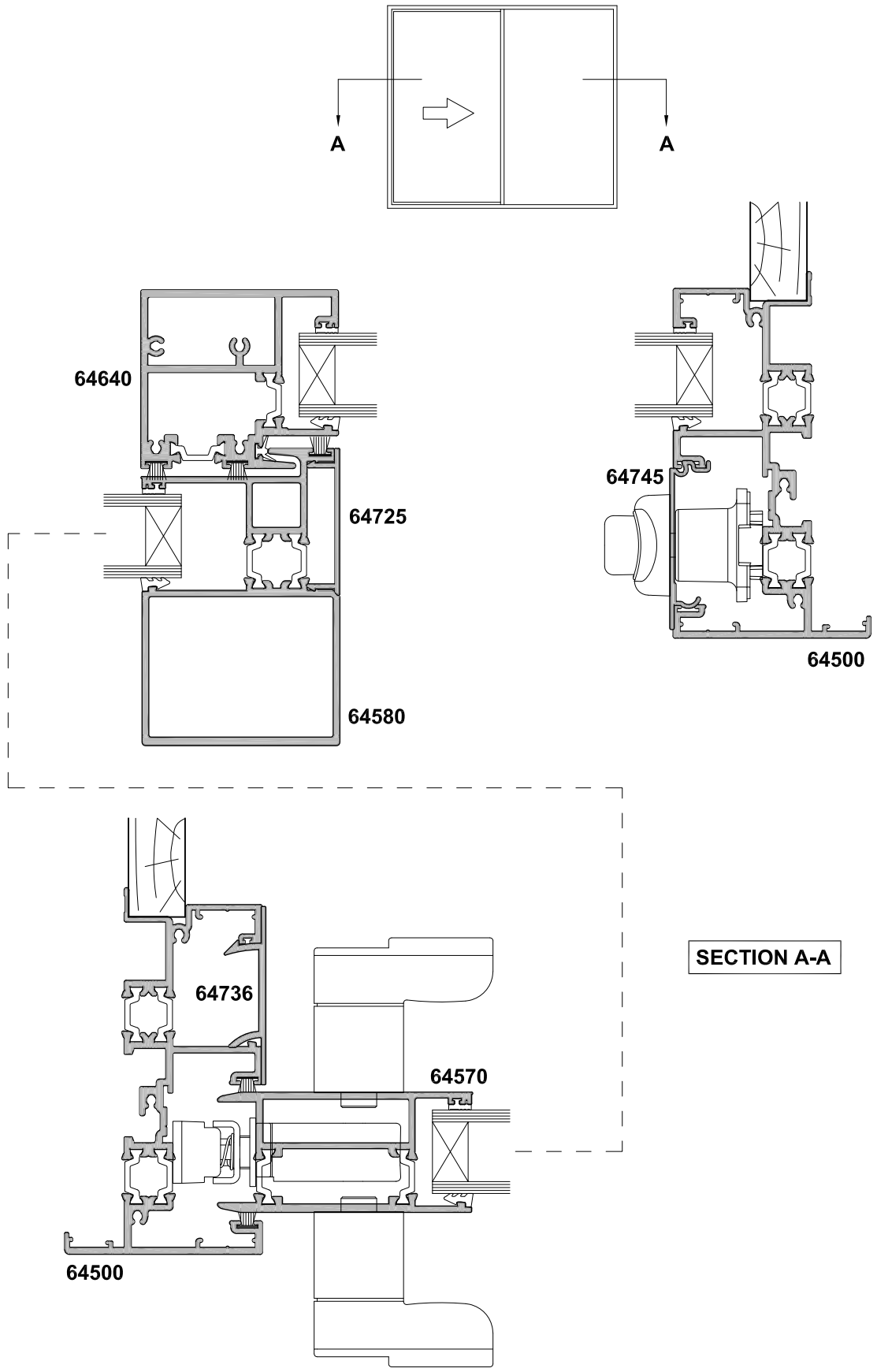
**SECTION B-B**

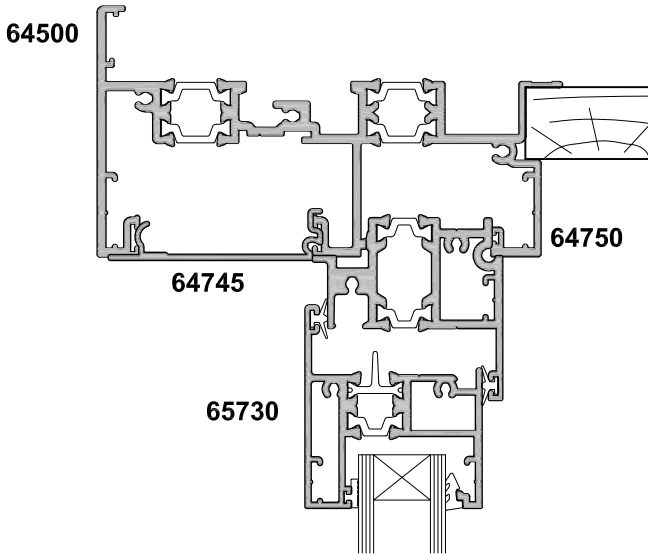


**METRO SERIES THERMAL HEART  
SLIDING DOOR  
TWO PANEL SF  
CROSS SECTION**

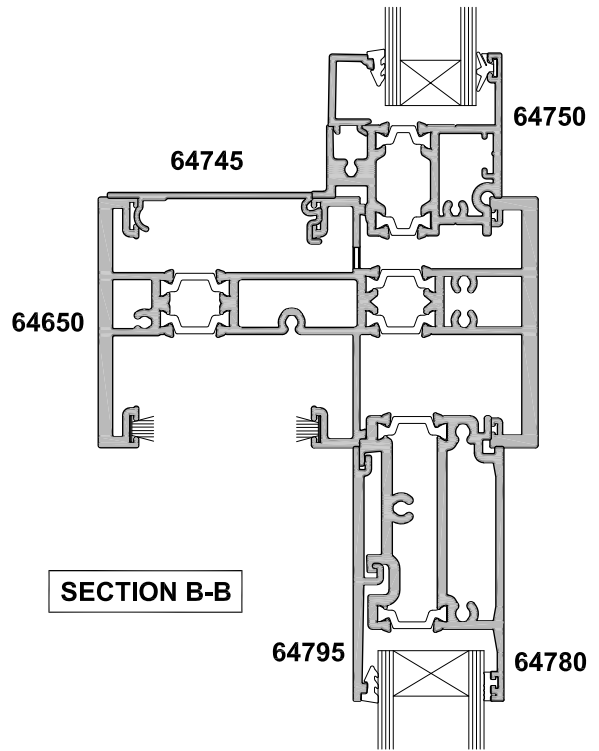
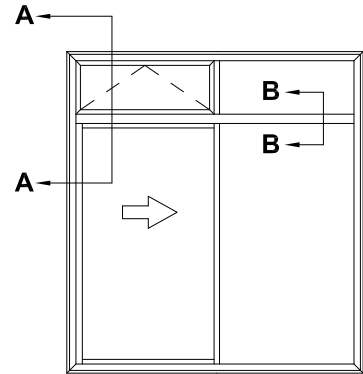
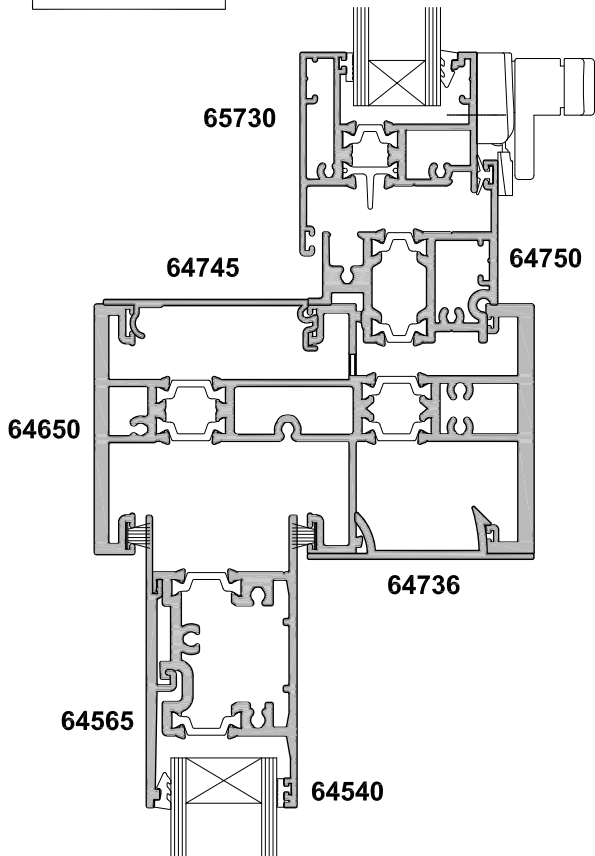
Cad Ref. FTSD03-0

Date 01.04.15 Scale 1:2





**SECTION A-A**

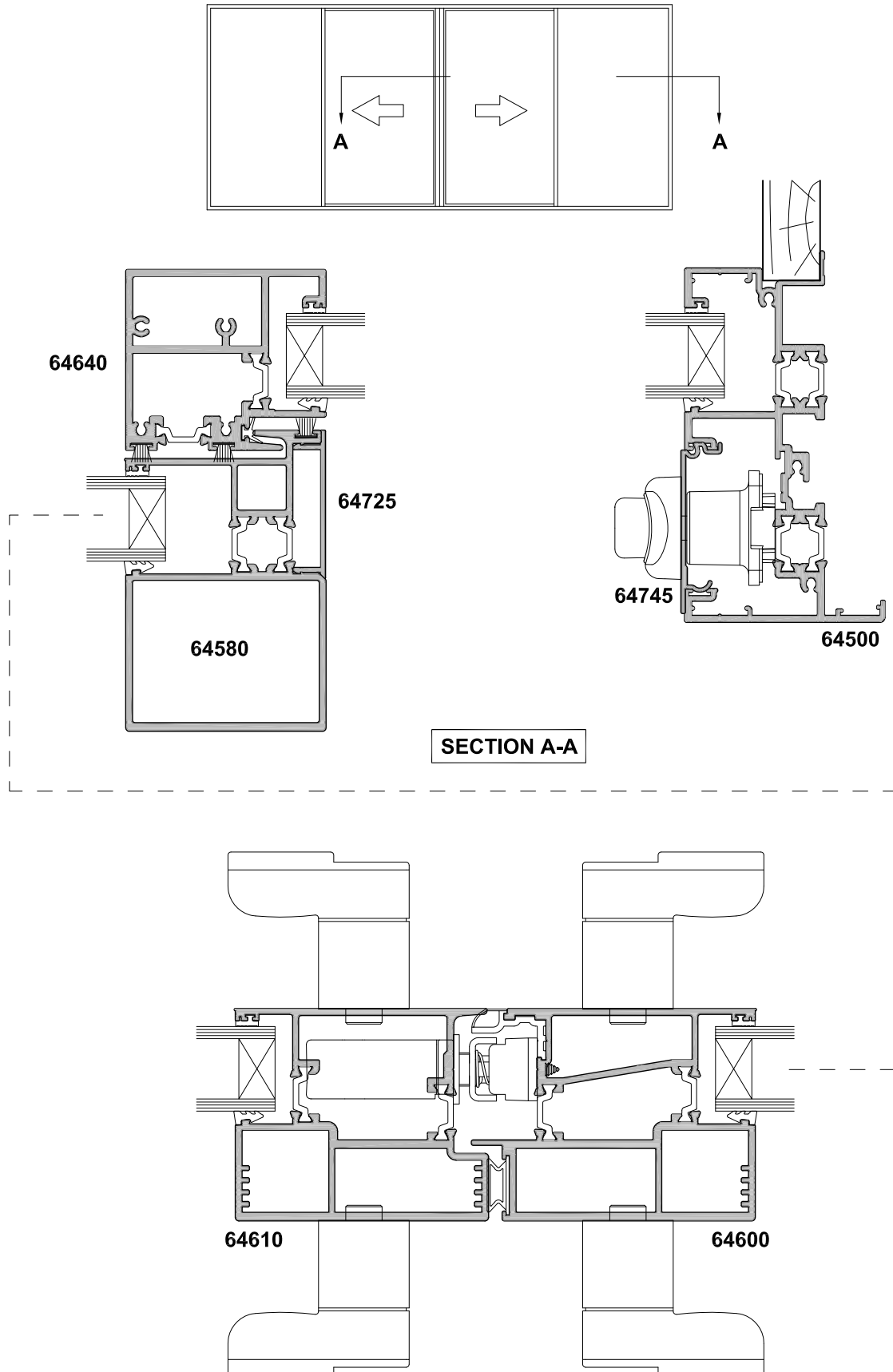


**SECTION B-B**

**FIXED OVERLITE OPTION**

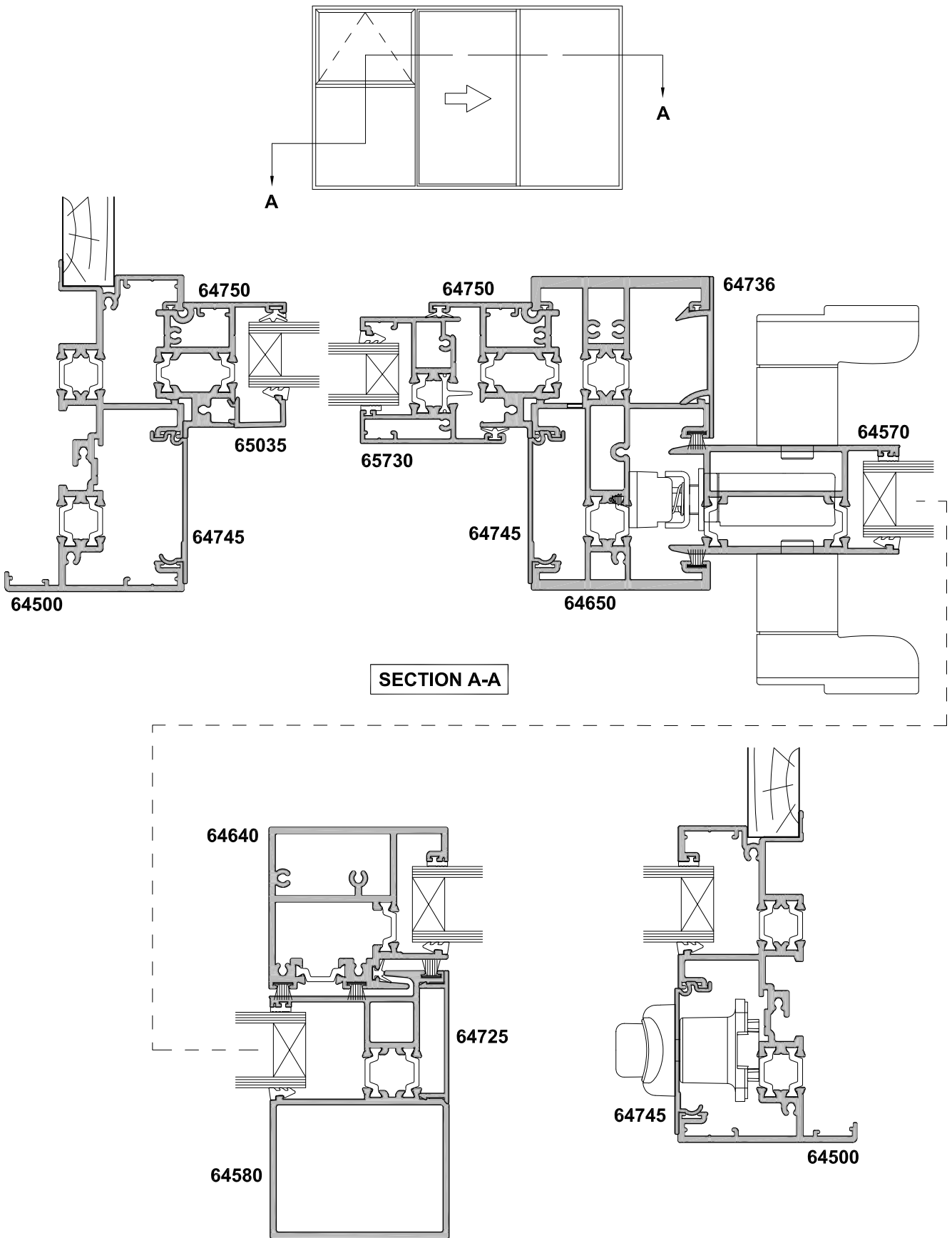
**METRO SERIES THERMAL HEART  
SLIDING DOOR  
FOUR PANEL FSSF  
CROSS SECTION**

Date 01.04.15 Scale 1:2



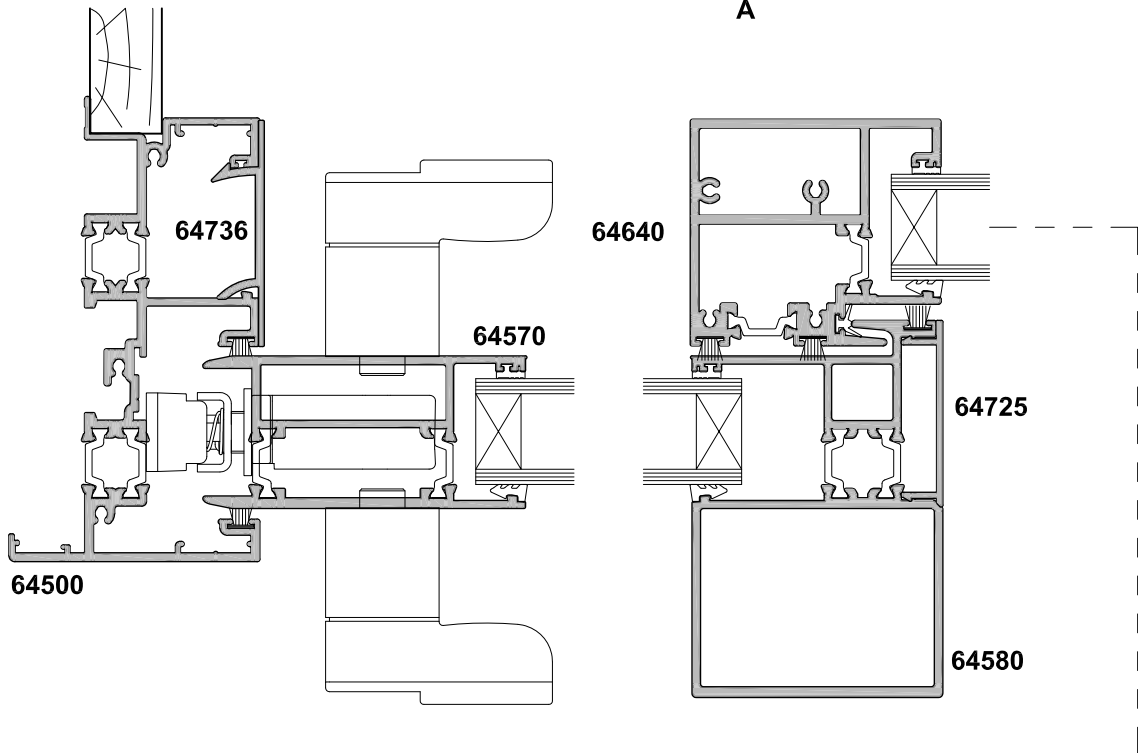
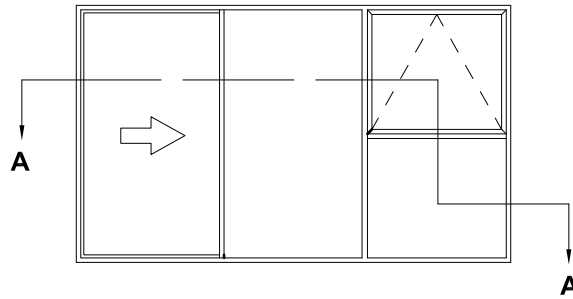
**METRO SERIES THERMAL HEART  
SLIDING DOOR  
THREE PANEL FSF  
CROSS SECTION**

Date 01.04.15 Scale 1:2

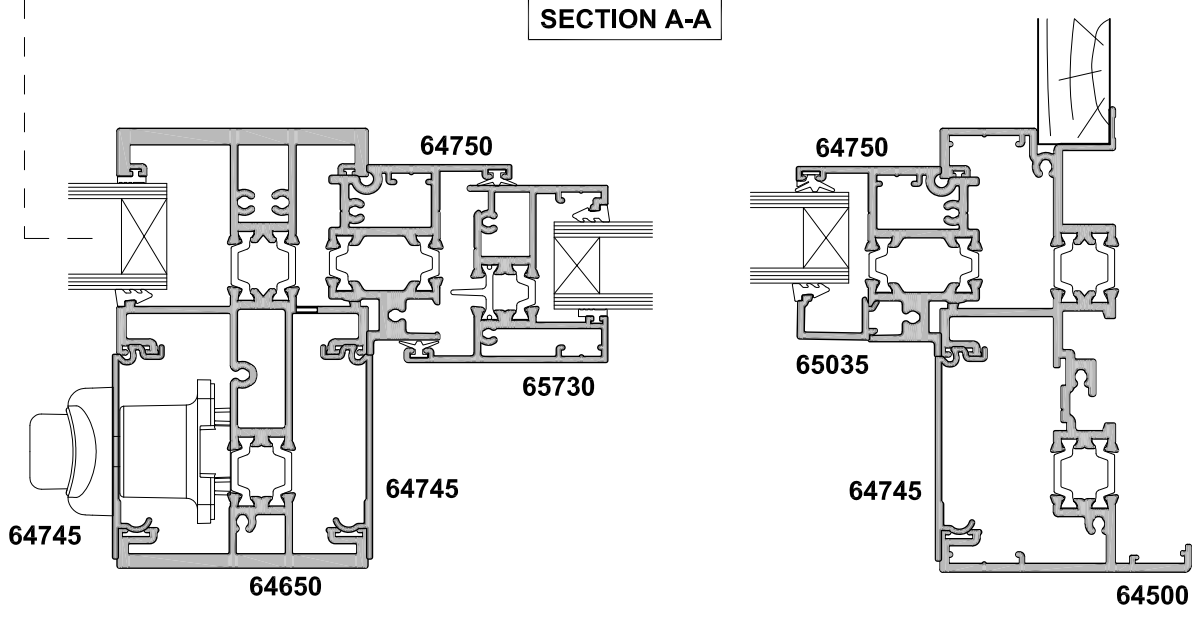


**METRO SERIES THERMAL HEART  
SLIDING DOOR  
THREE PANEL SFF  
CROSS SECTION**

Date 01.04.15 Scale 1:2



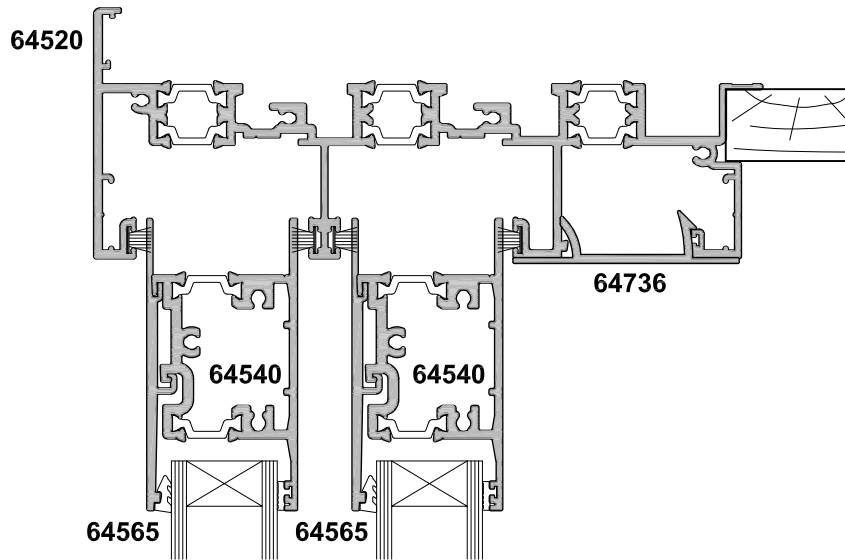
**SECTION A-A**



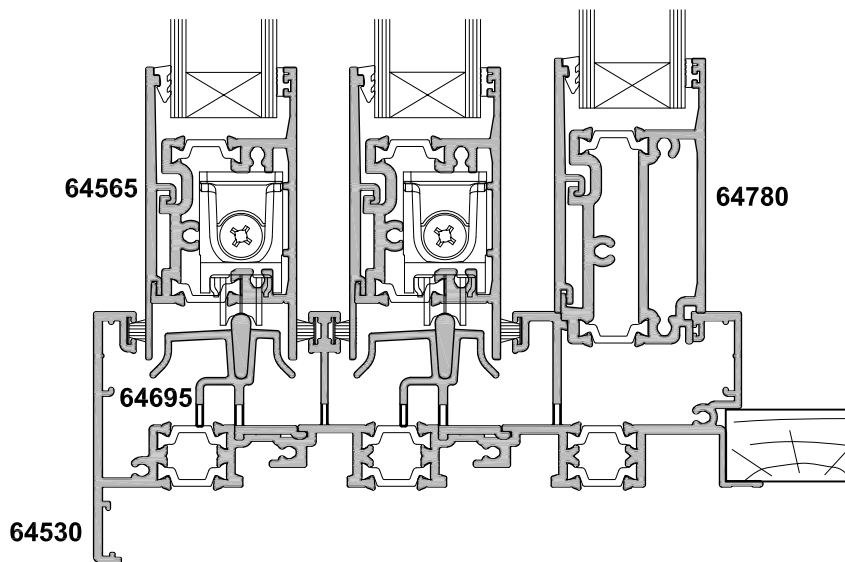
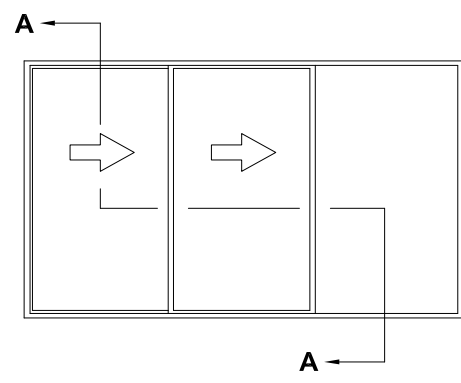
**METRO SERIES THERMAL HEART  
SLIDING DOOR  
THREE PANEL SSF  
CROSS SECTION**

Cad Ref. FTSD08-0

Date 01.04.15 Scale 1:2

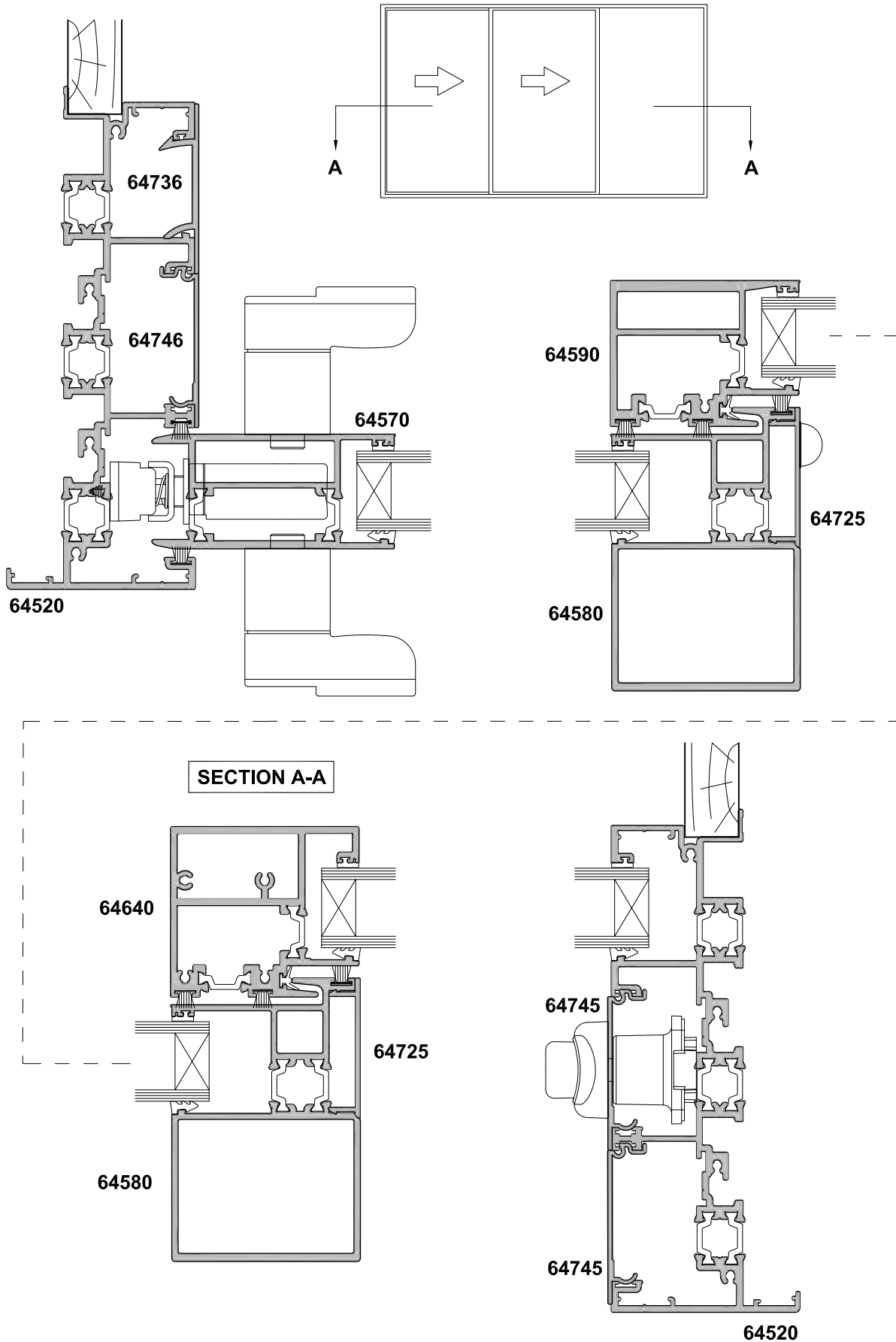


**SECTION A-A**



**METRO SERIES THERMAL HEART  
SLIDING DOOR  
THREE PANEL SSF  
CROSS SECTION**

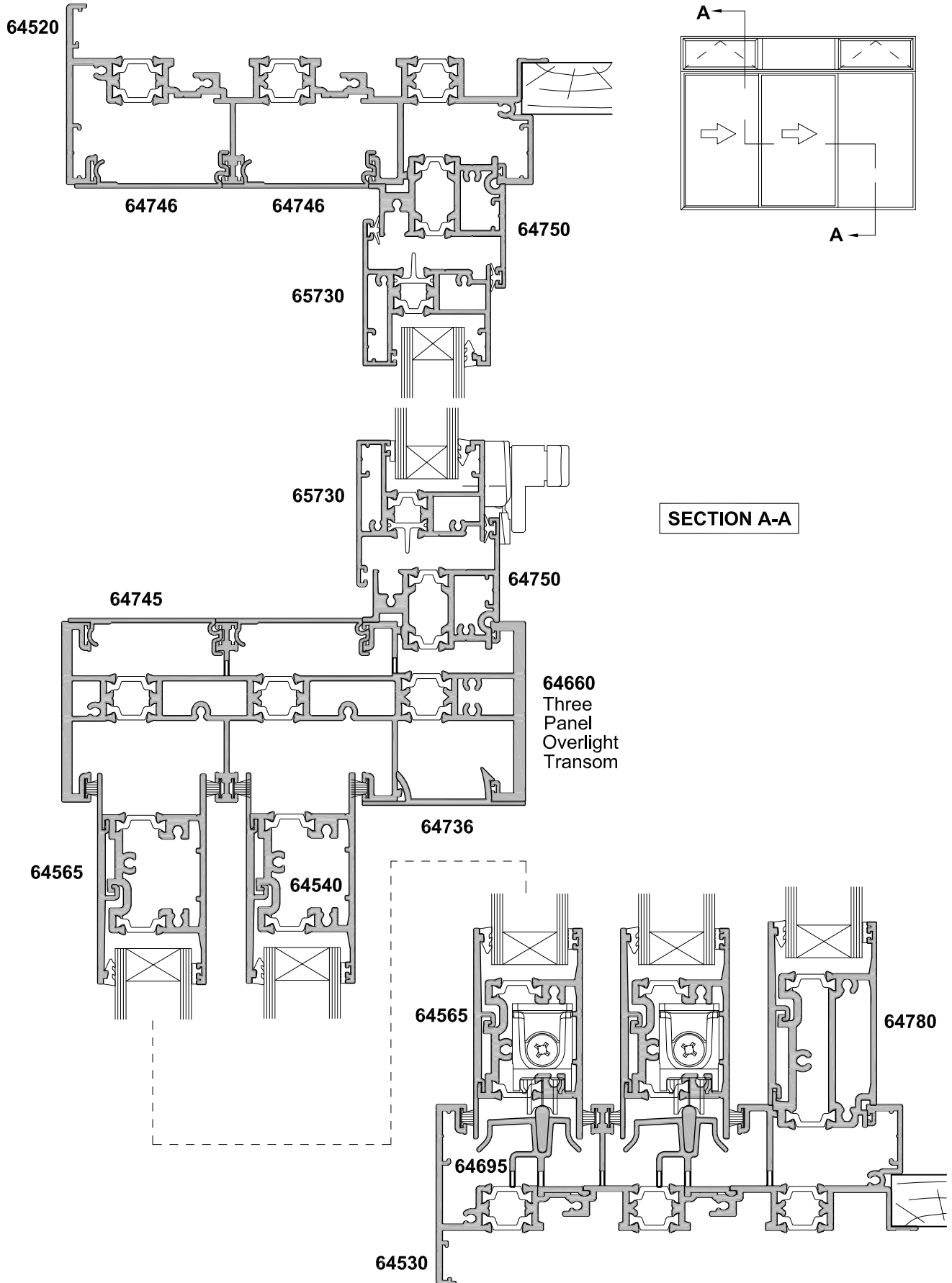
Date 01.04.15 Scale 1:2





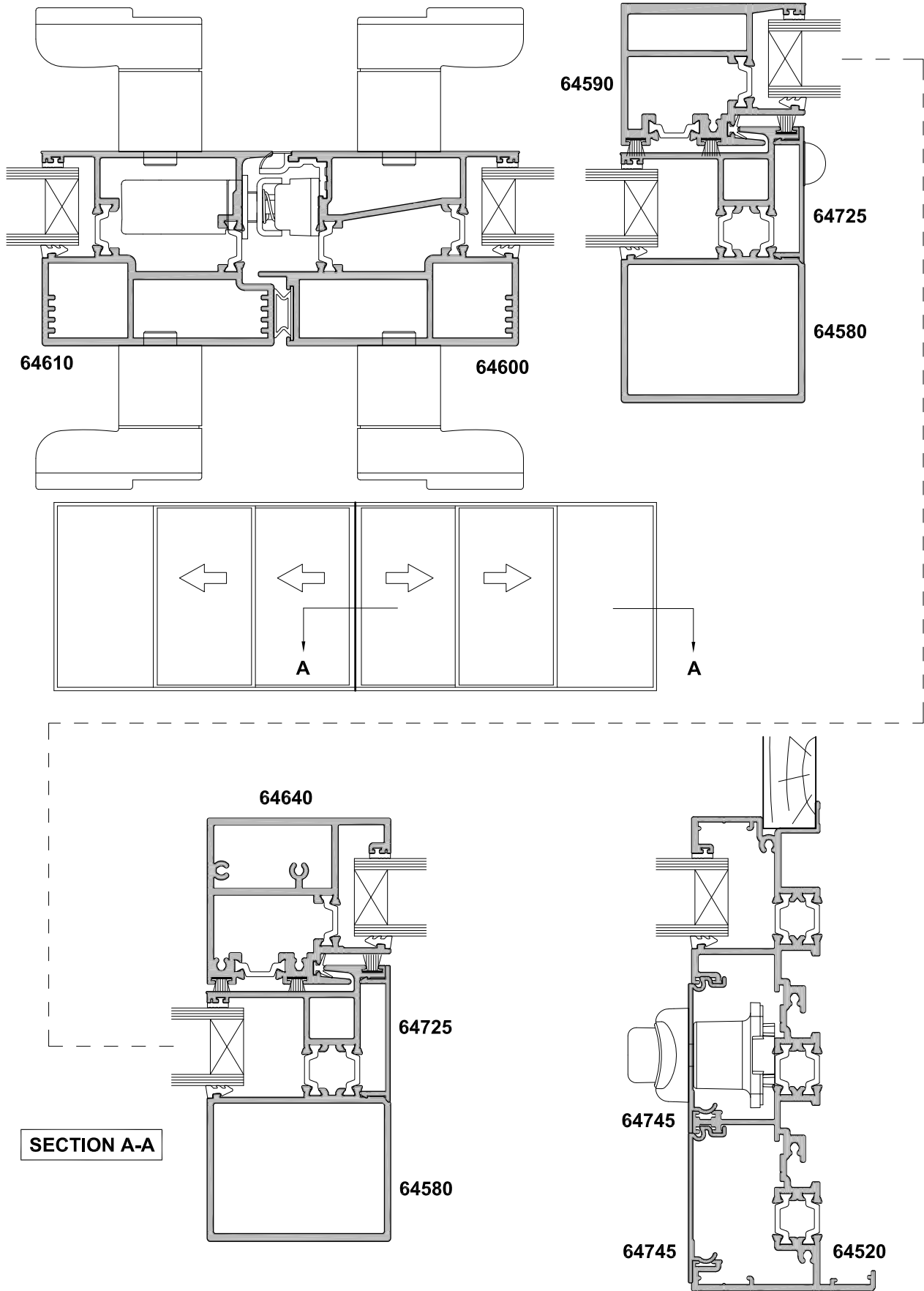
**METRO SERIES THERMAL HEART  
SLIDING DOOR  
THREE PANEL OVERLIGHT DETAILS  
CROSS SECTION**

Date 01.04.15 Scale 1:2



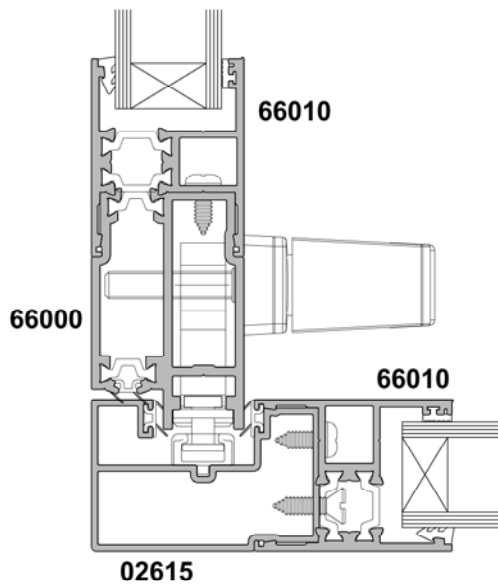
**METRO SERIES THERMAL HEART  
SLIDING DOOR  
SIX PANEL FSSSSF  
CROSS SECTION**

Date 01.04.15 Scale 1:2

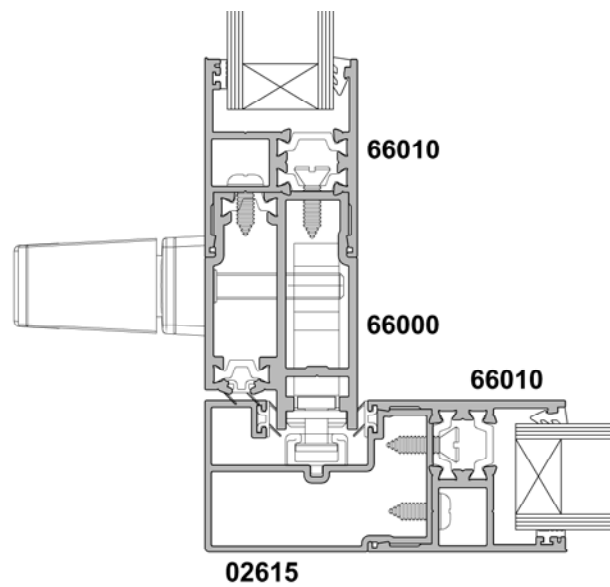


**METRO SERIES THERMAL HEART  
SLIDING DOOR  
90 DEGREE CORNERS  
CROSS SECTION**

Date 01.07.17 Scale 1:2



**EXTERNAL CORNER OPTION**

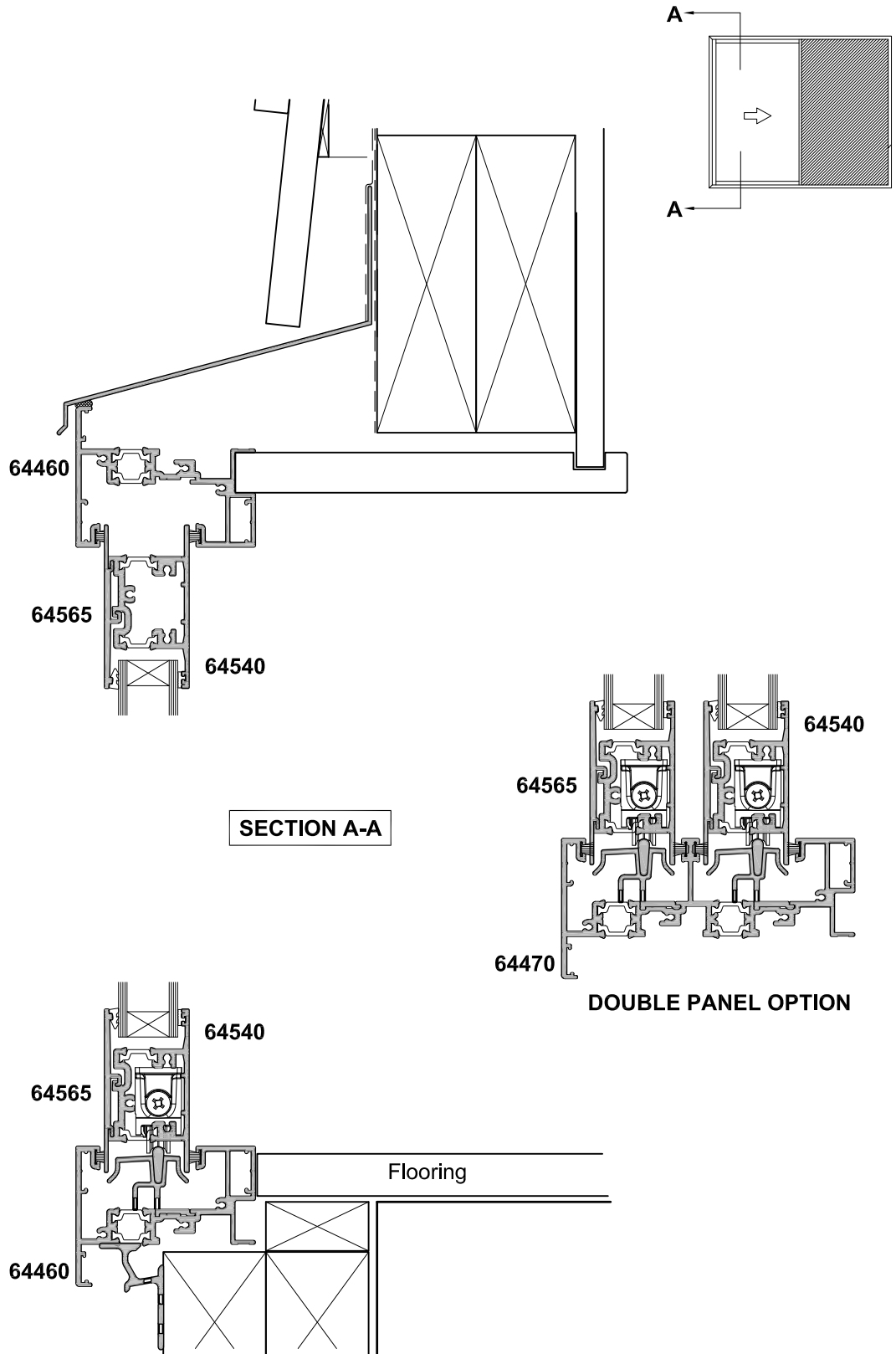


**INTERNAL CORNER OPTION**

**METRO SERIES THERMAL HEART  
SLIDING DOOR - SINGLE PANEL OVER WALL**

**CROSS SECTION**

Date 01.04.15 Scale 1:3

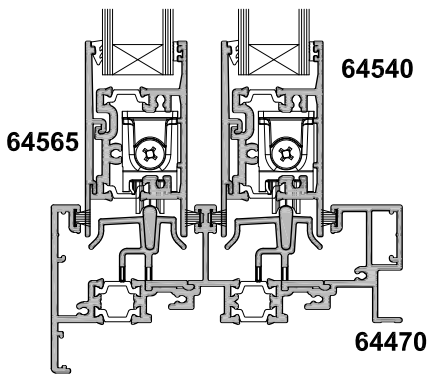
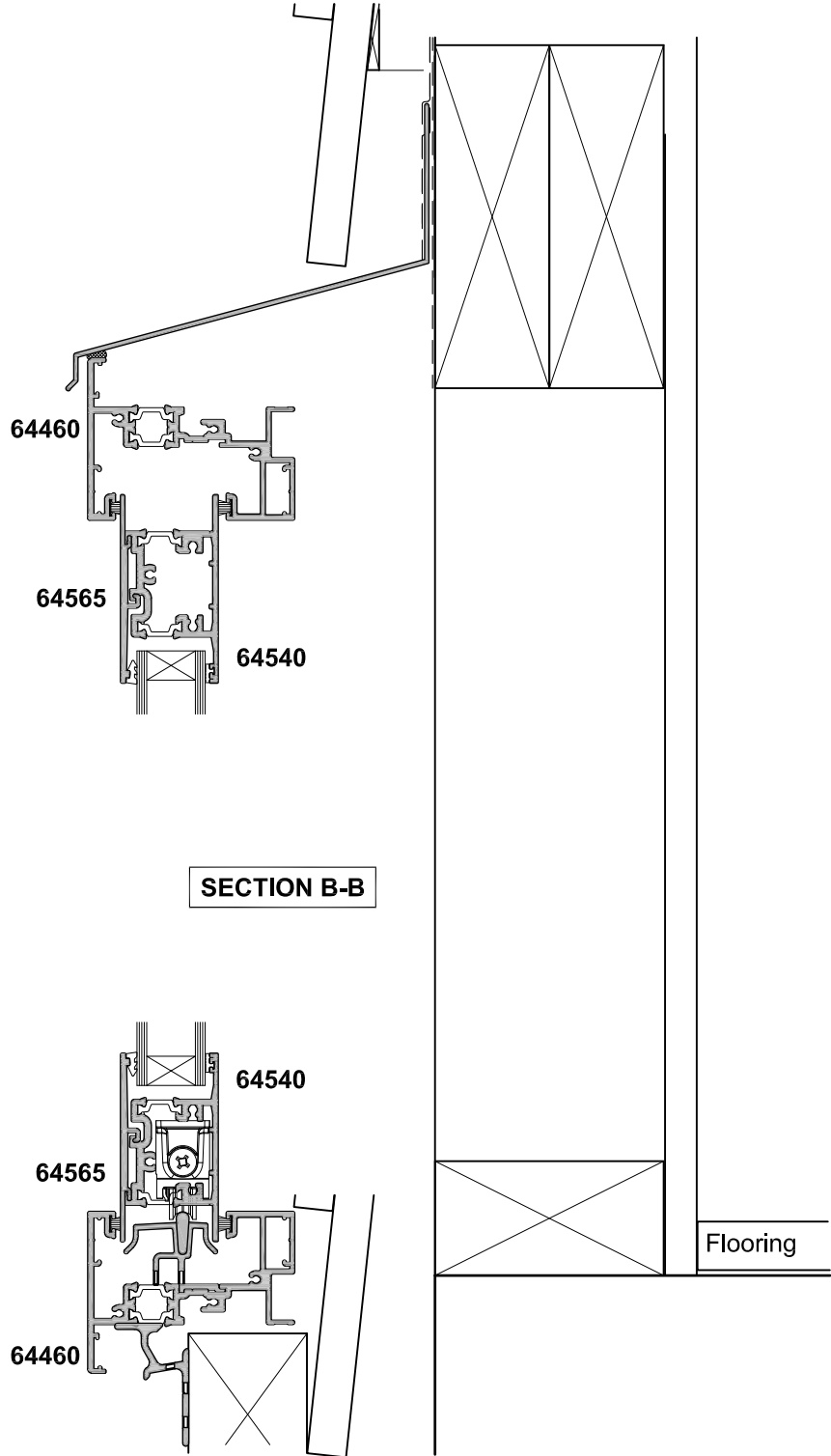
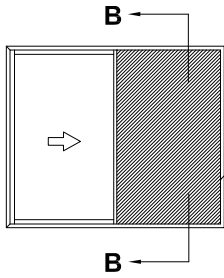


NOTE: This detail is typical only and may differ for various claddings and building in situations.  
Contact APL Technical Advisory Service for more information.

**METRO SERIES THERMAL HEART  
SLIDING DOOR - SINGLE PANEL OVER WALL**

**CROSS SECTION**

Date 01.04.15 Scale 1:3



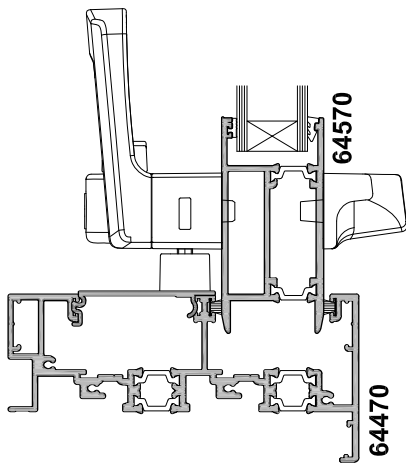
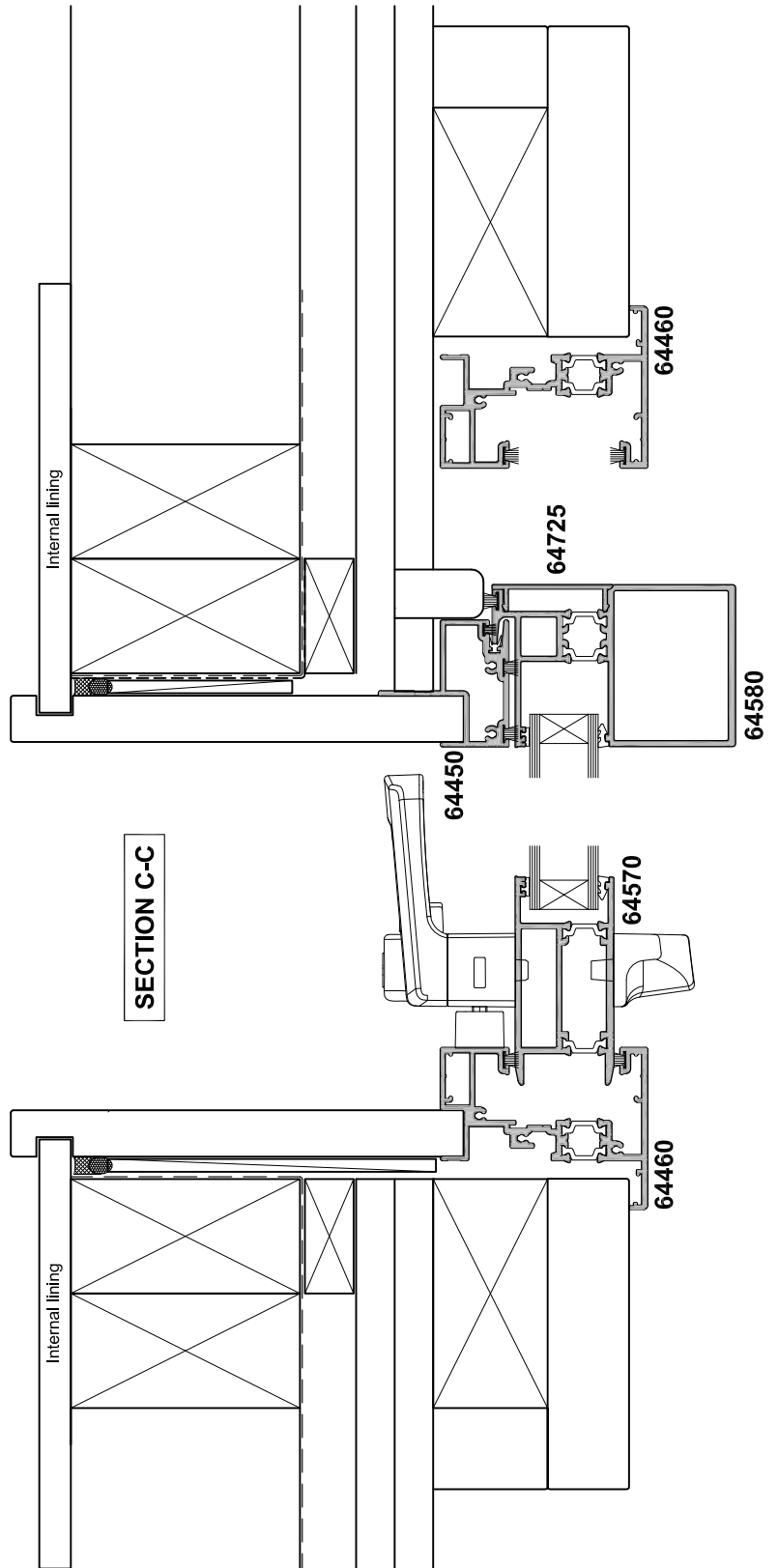
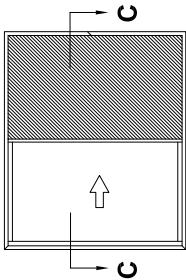
**DOUBLE PANEL OPTION**

NOTE: This detail is typical only and may differ for various claddings and building in situations.  
Contact APL Technical Advisory Service for more information.

**METRO SERIES THERMAL HEART  
SLIDING DOOR - SINGLE PANEL OVER WALL**

**CROSS SECTION**

Date 01.04.15 Scale 1:3



**DOUBLE PANEL OPTION**

NOTE: This detail is typical only and may differ for various claddings and building in situations.  
Contact APL Technical Advisory Service for more information.