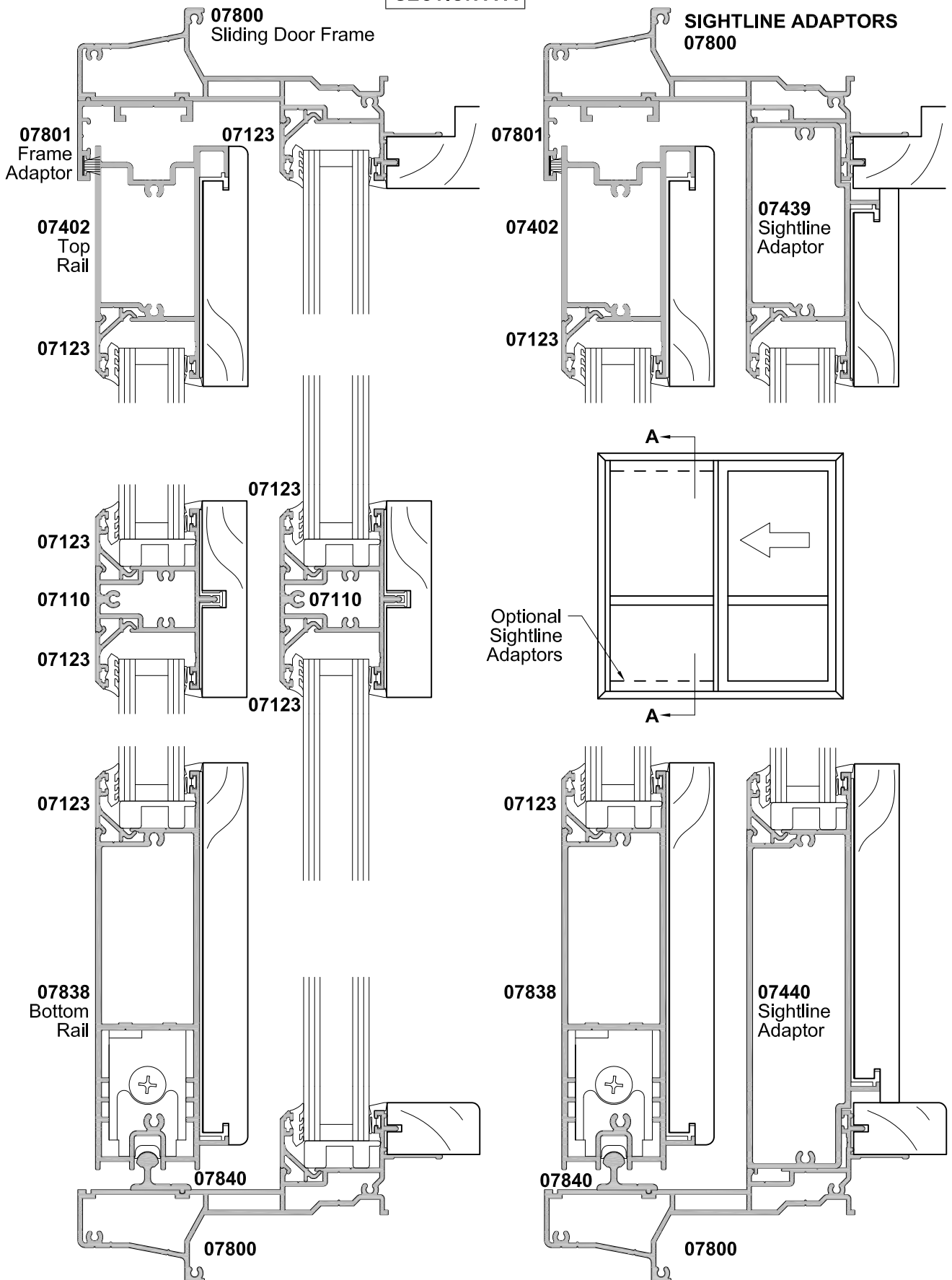




# SLIDING DOOR, 2 PANEL FS CROSS SECTION

Cad Ref. SSD02-0    Scale 1:2    Date 01.06.11

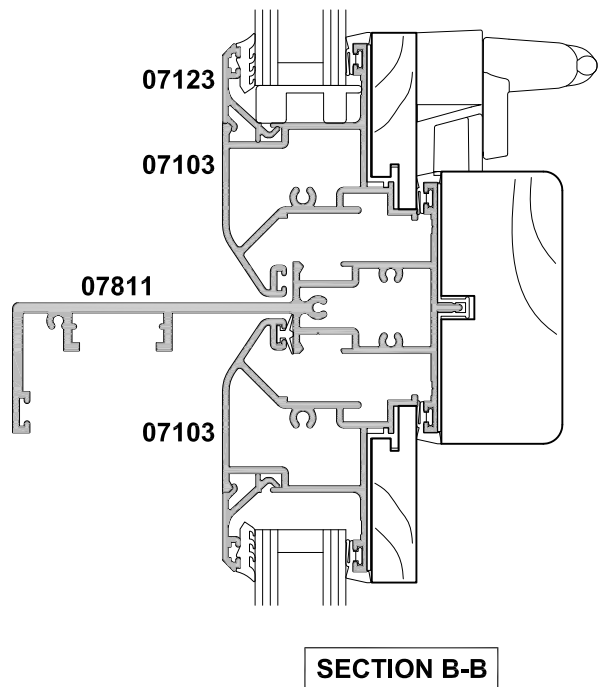
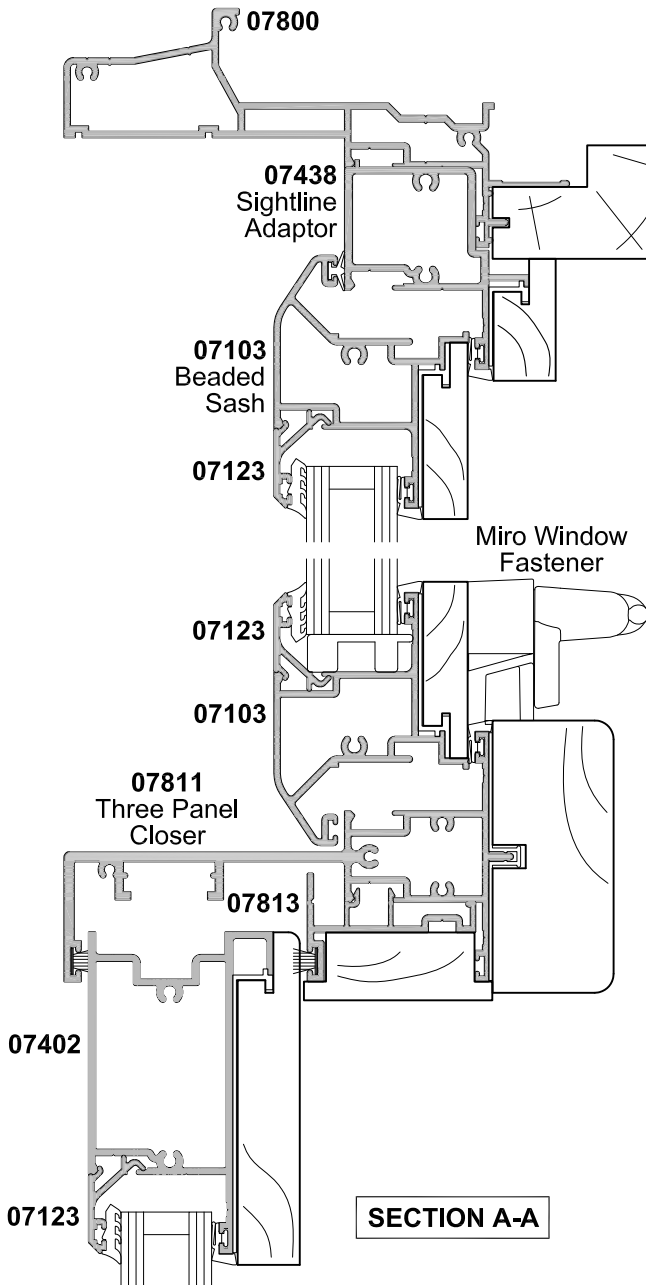
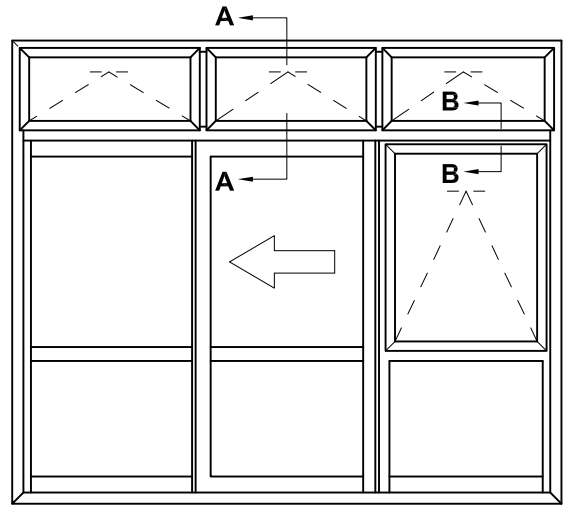
## SECTION A-A





# SLIDING DOOR, 3 PANEL FSF WITH OVERLIGHT AND AWNING SASH - CROSS SECTION

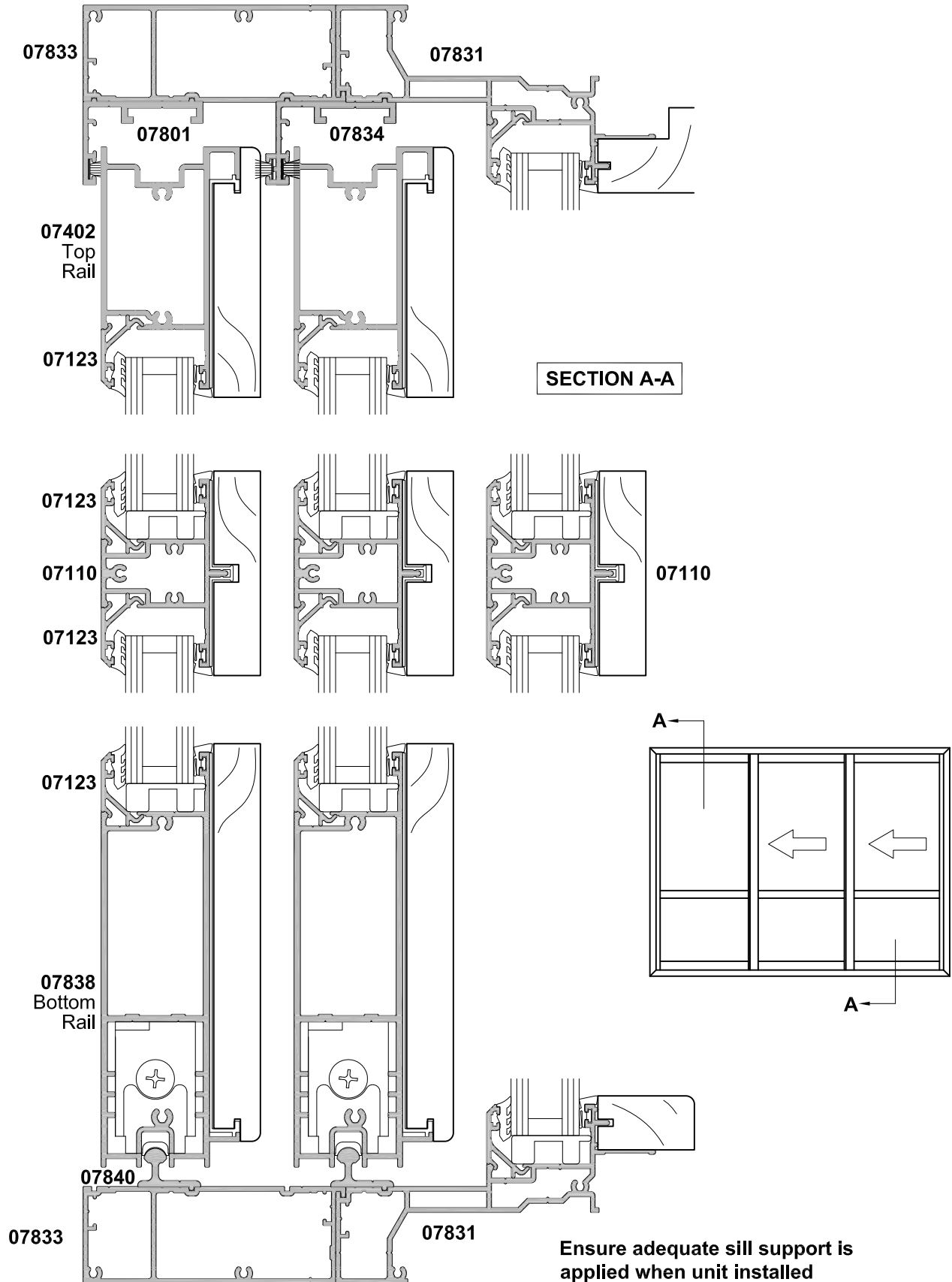
Cad Ref. SSD03-0    Scale 1:2    Date 01.06.11





# SLIDING DOOR, 3 PANEL FSS CROSS SECTION

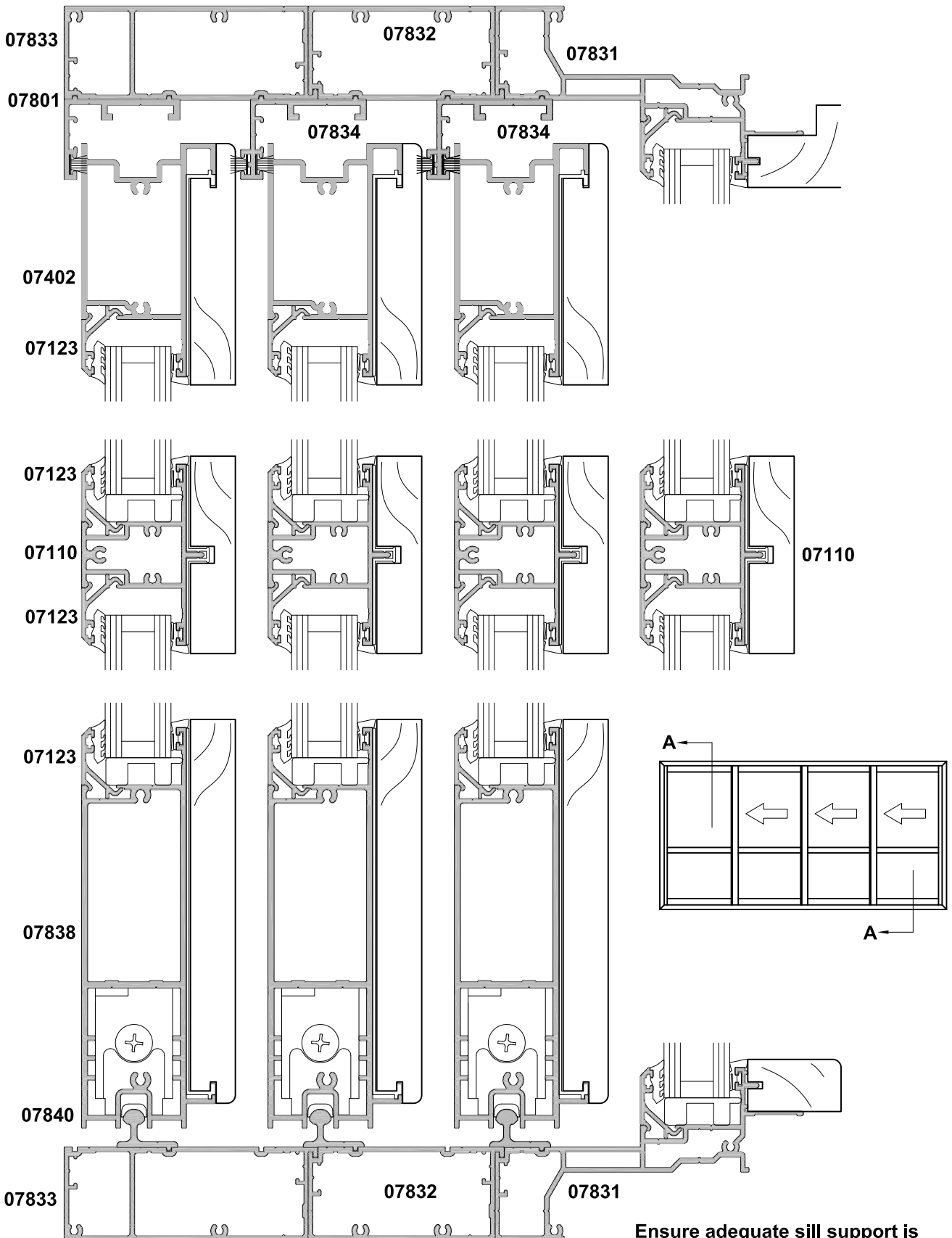
Cad Ref. SSD04-0    Scale 1:2    Date 01.06.11





# SLIDING DOOR, 4 PANEL FSSS CROSS SECTION

Cad Ref. SSD05-0    Scale 1:2    Date 01.06.11

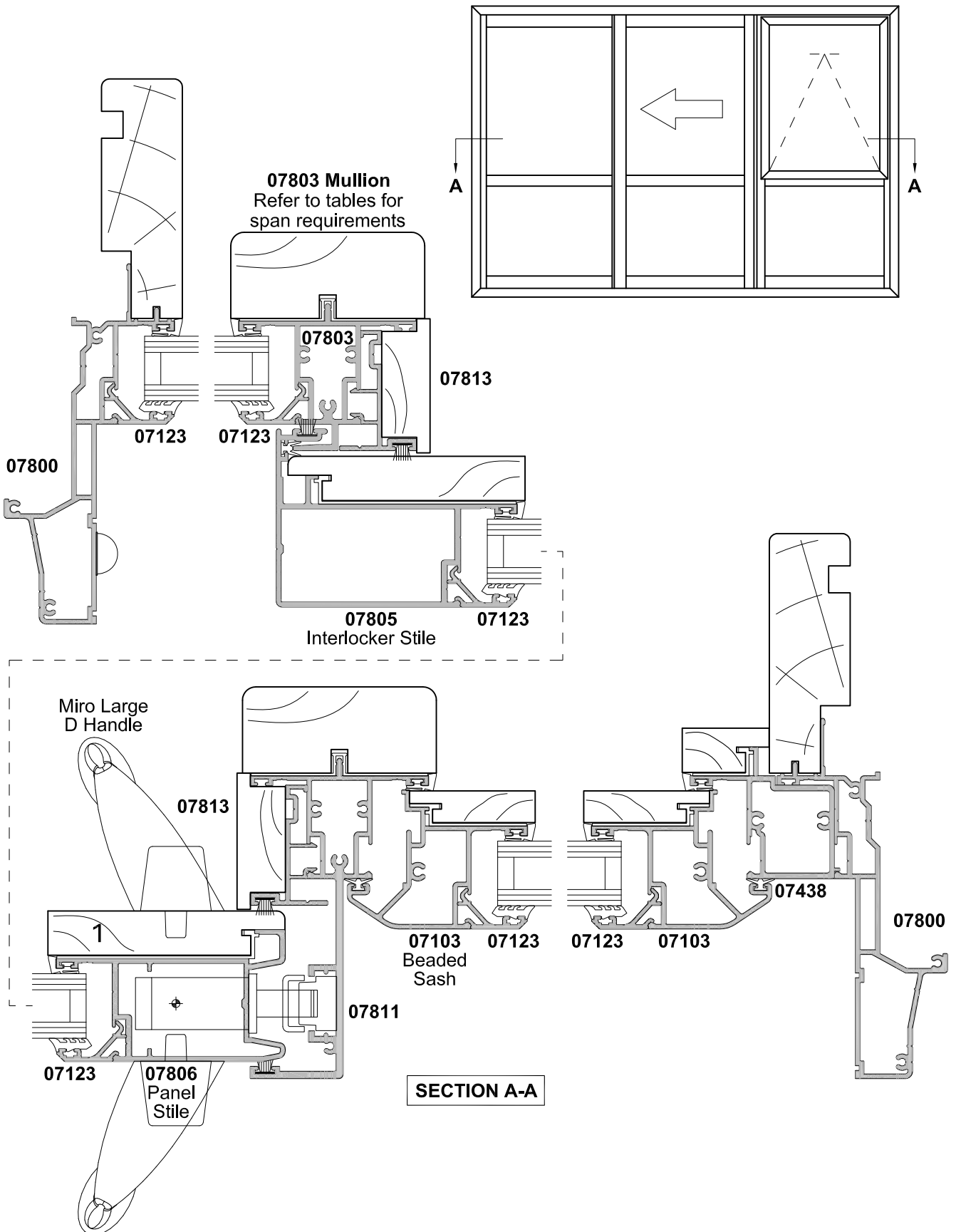


**Ensure adequate sill support is applied when unit installed**



# SLIDING DOOR, 3 PANEL FSF AND AWNING SASH CROSS SECTION

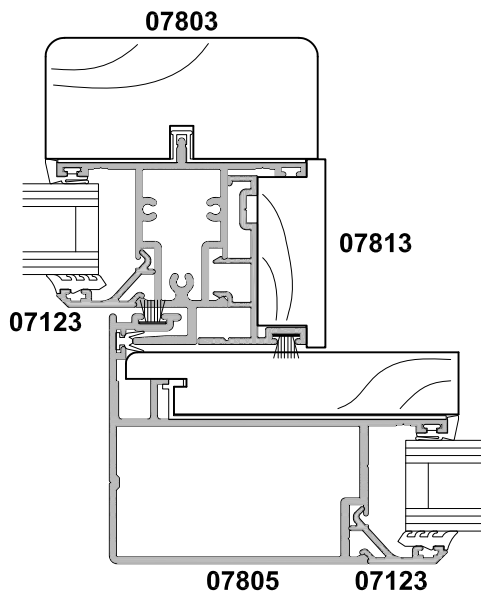
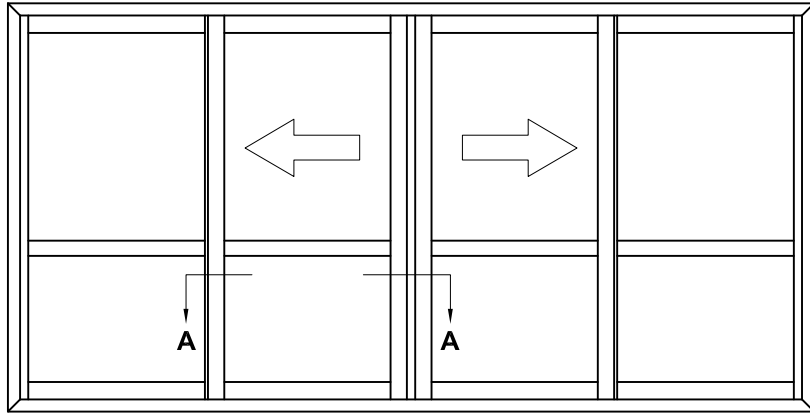
Cad Ref. SSD06-0    Scale 1:2    Date 01.06.11



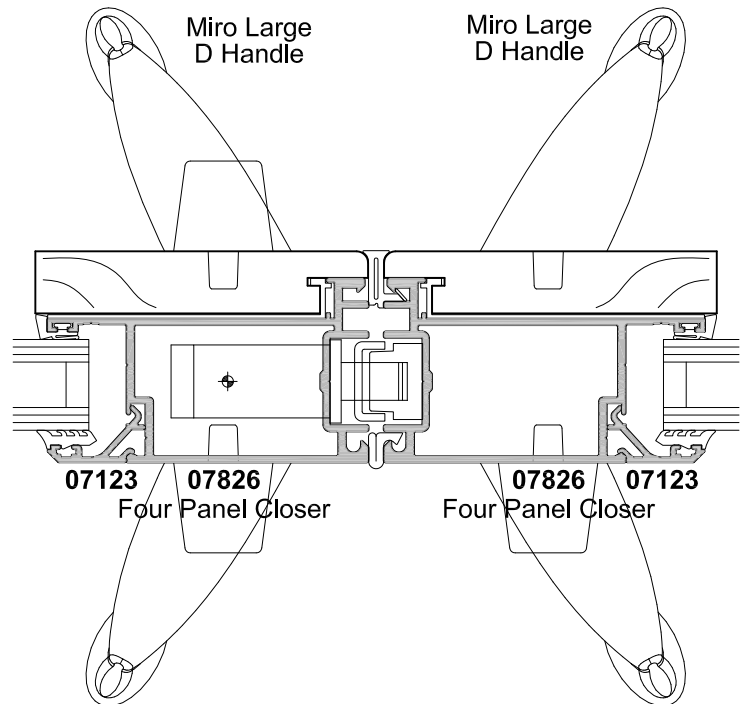


# SLIDING DOOR, 4 PANEL FSSF CROSS SECTION

Cad Ref. SSD07-0    Scale 1:2    Date 01.06.11



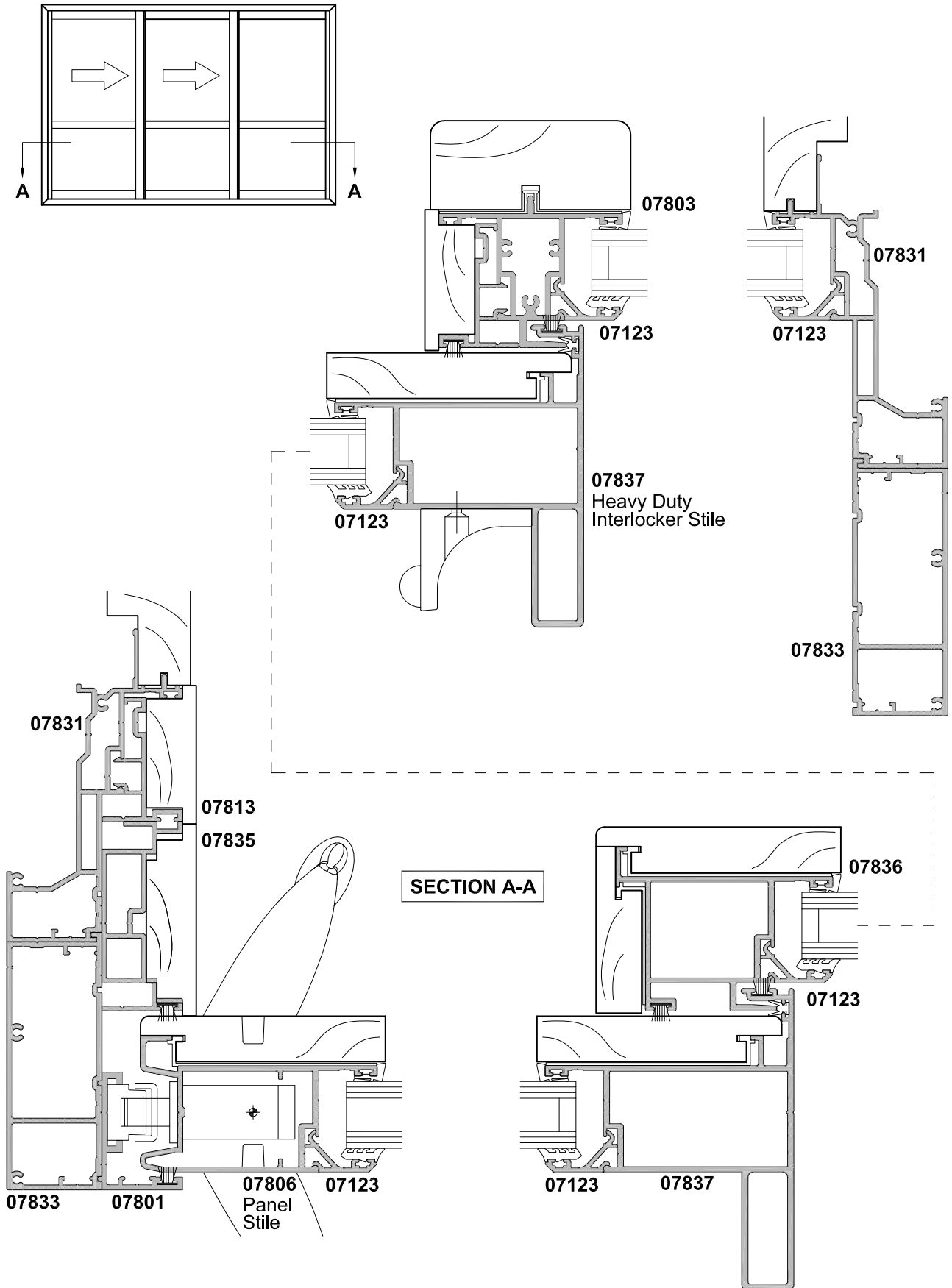
## SECTION A-A





# SLIDING DOOR, 3 PANEL SSF CROSS SECTION

Cad Ref. SSD08-0    Scale 1:2    Date 01.06.11





# SLIDING DOOR, 6 PANEL FSSSSF CROSS SECTION

Cad Ref. SSD09-0    Scale 1:2    Date 01.06.11

