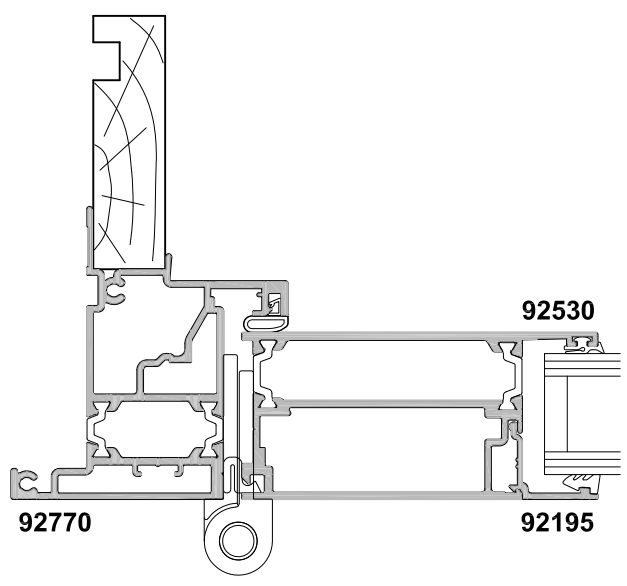
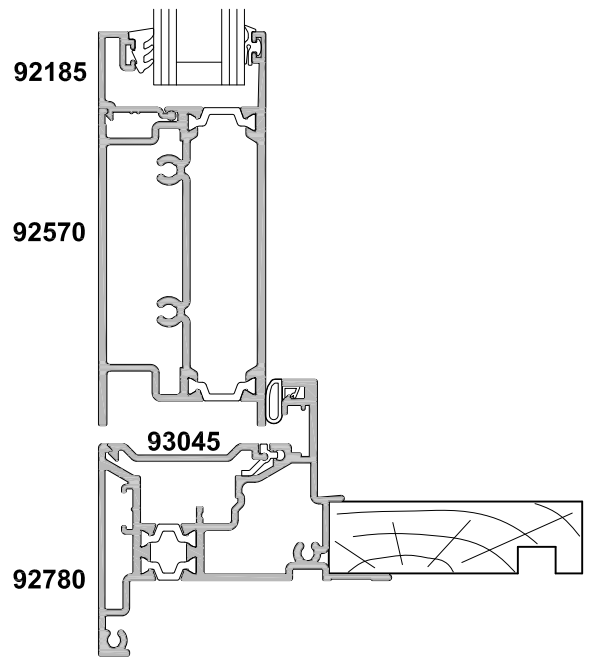


**SECTION A-A**

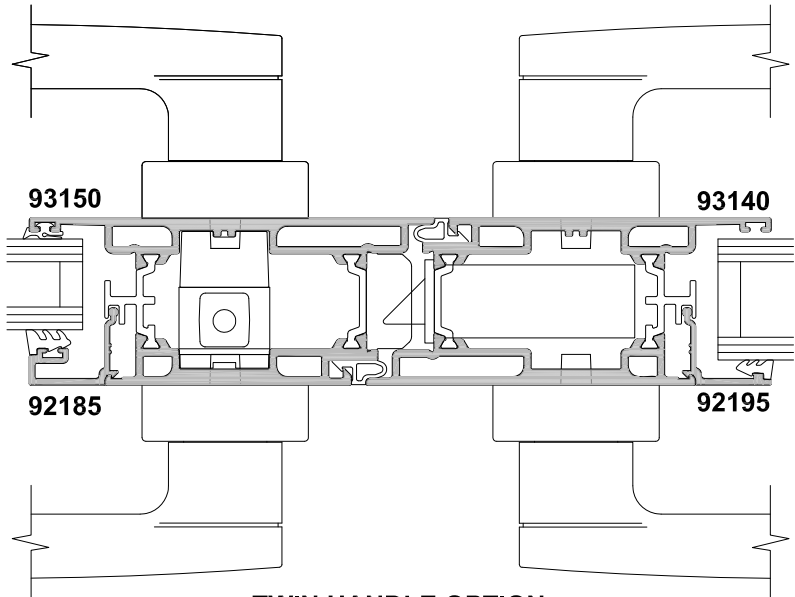
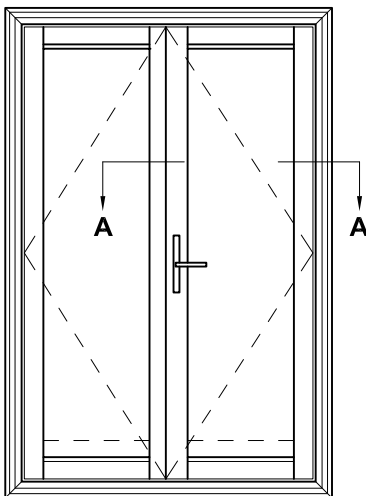


**SECTION B-B**

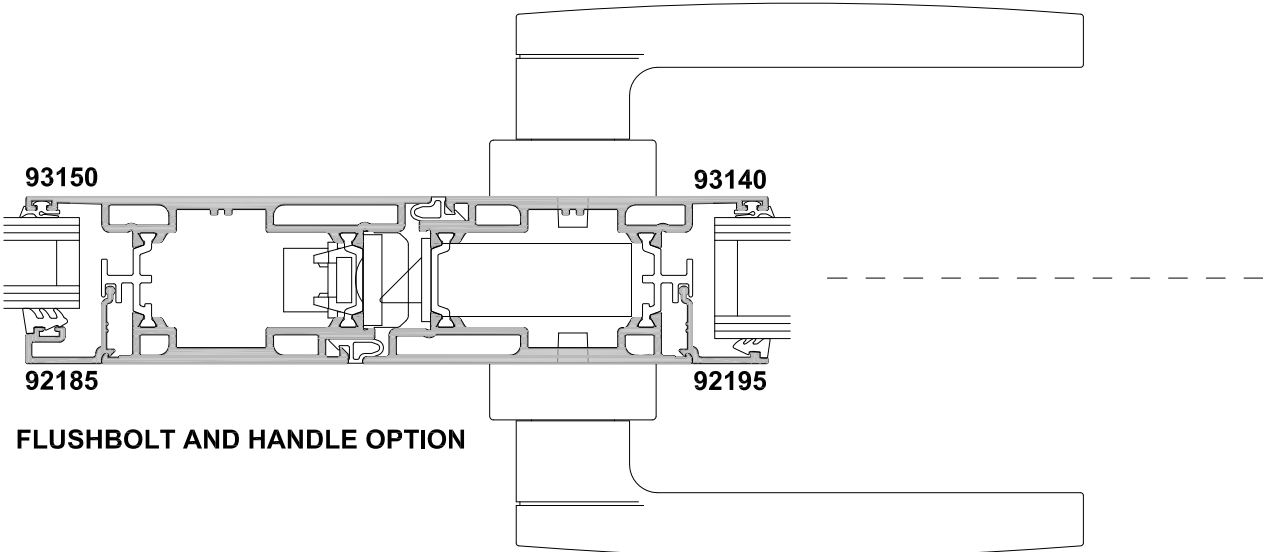
**METRO THERMAL HEART  
HINGED DOOR  
FRENCH DOOR**

**CROSS SECTION**

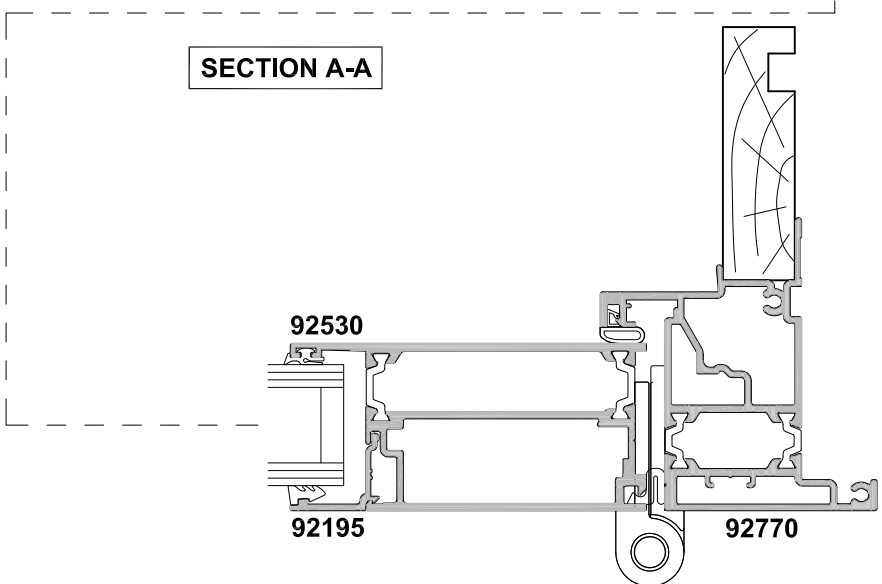
Date 01.08.17 Scale 1:2

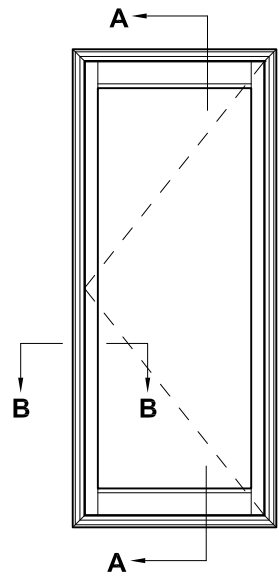
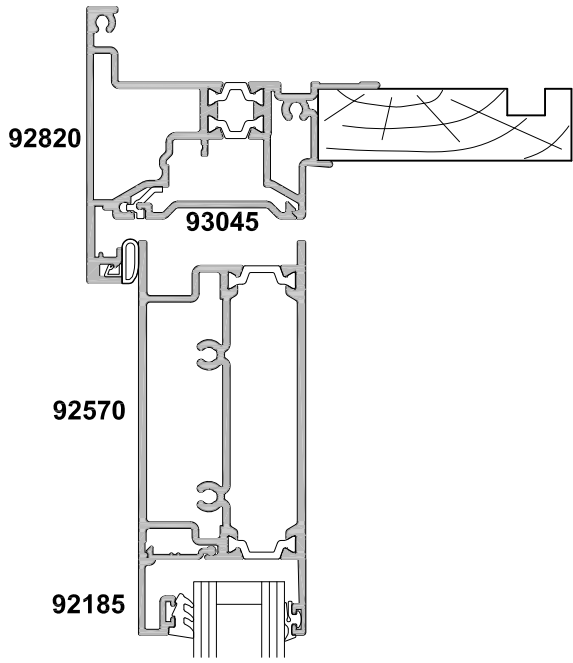


**TWIN HANDLE OPTION**

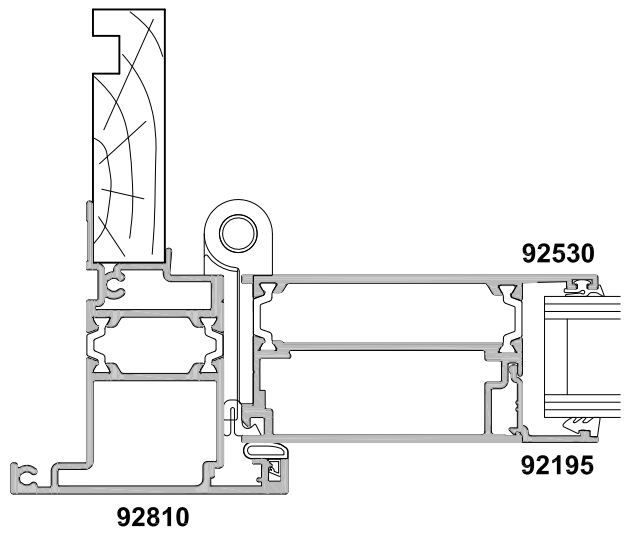
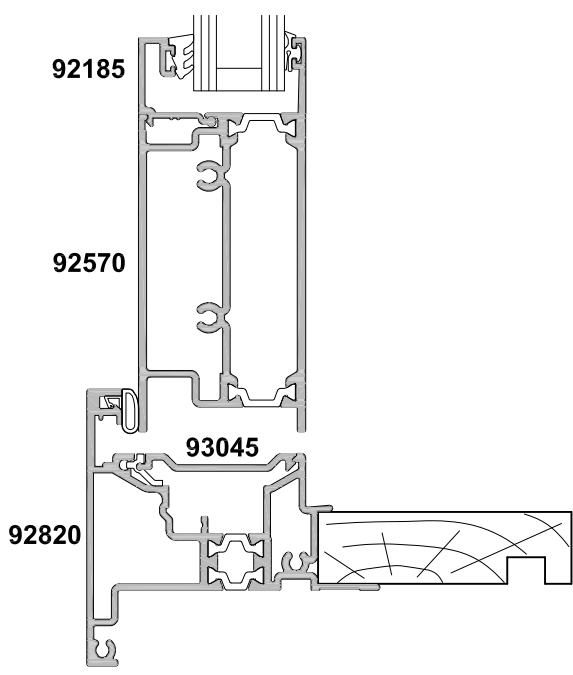


**FLUSHBOLT AND HANDLE OPTION**





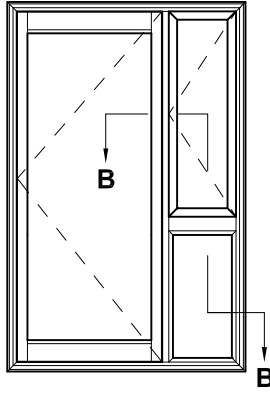
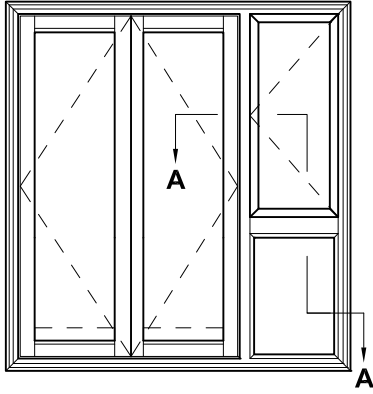
**SECTION A-A**



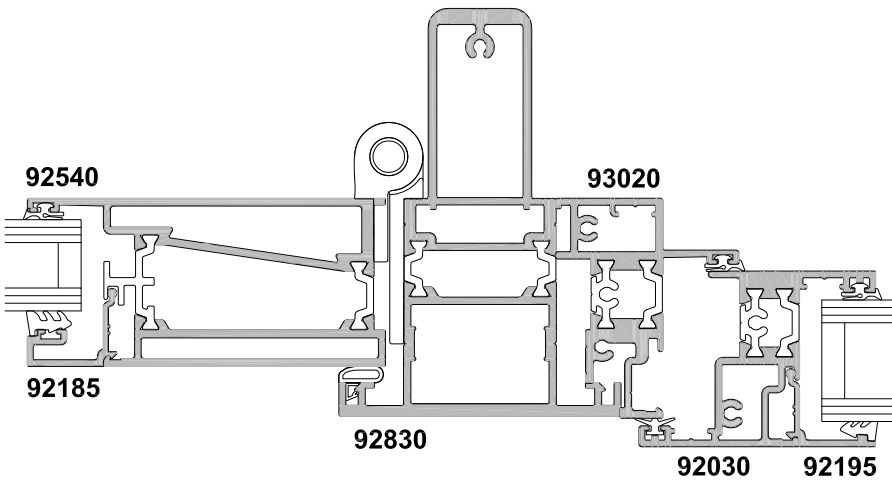
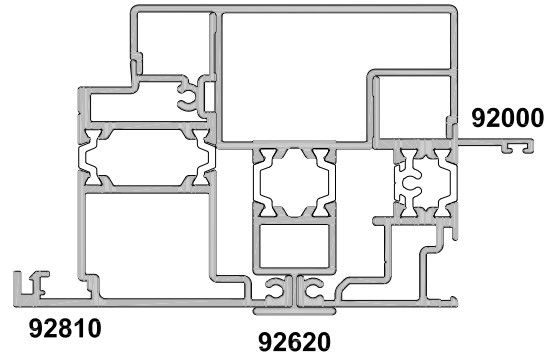
**SECTION B-B**

**METRO THERMAL HEART  
OPEN OUT & OPEN IN HINGED DOOR  
COUPLED SIDELIGHT  
CROSS SECTION**

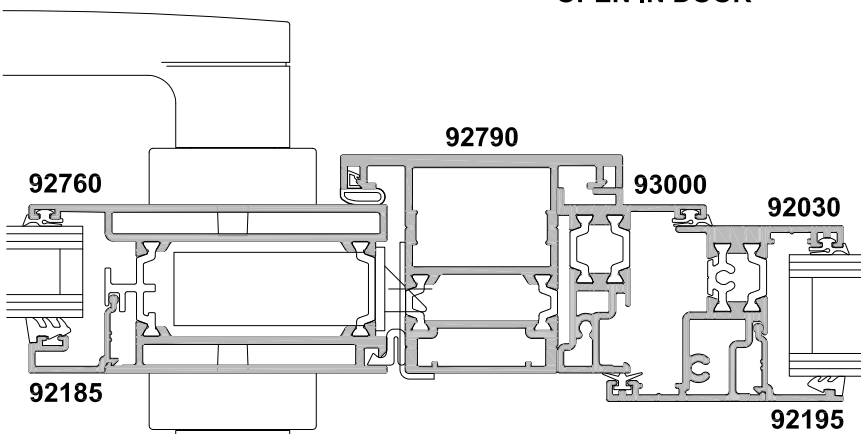
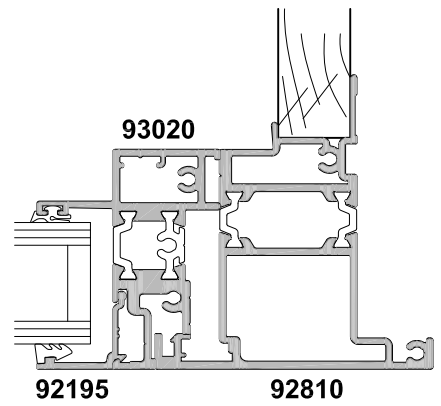
Date 01.08.17 Scale 1:2



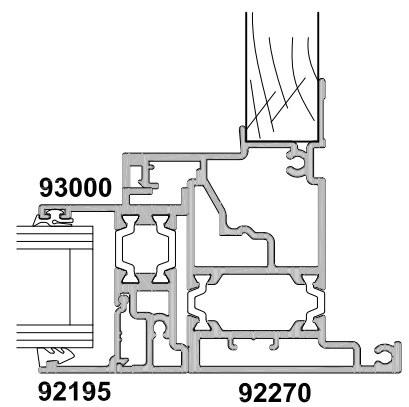
**COUPLING BAR OPTION**



**SECTION A-A  
OPEN IN DOOR**

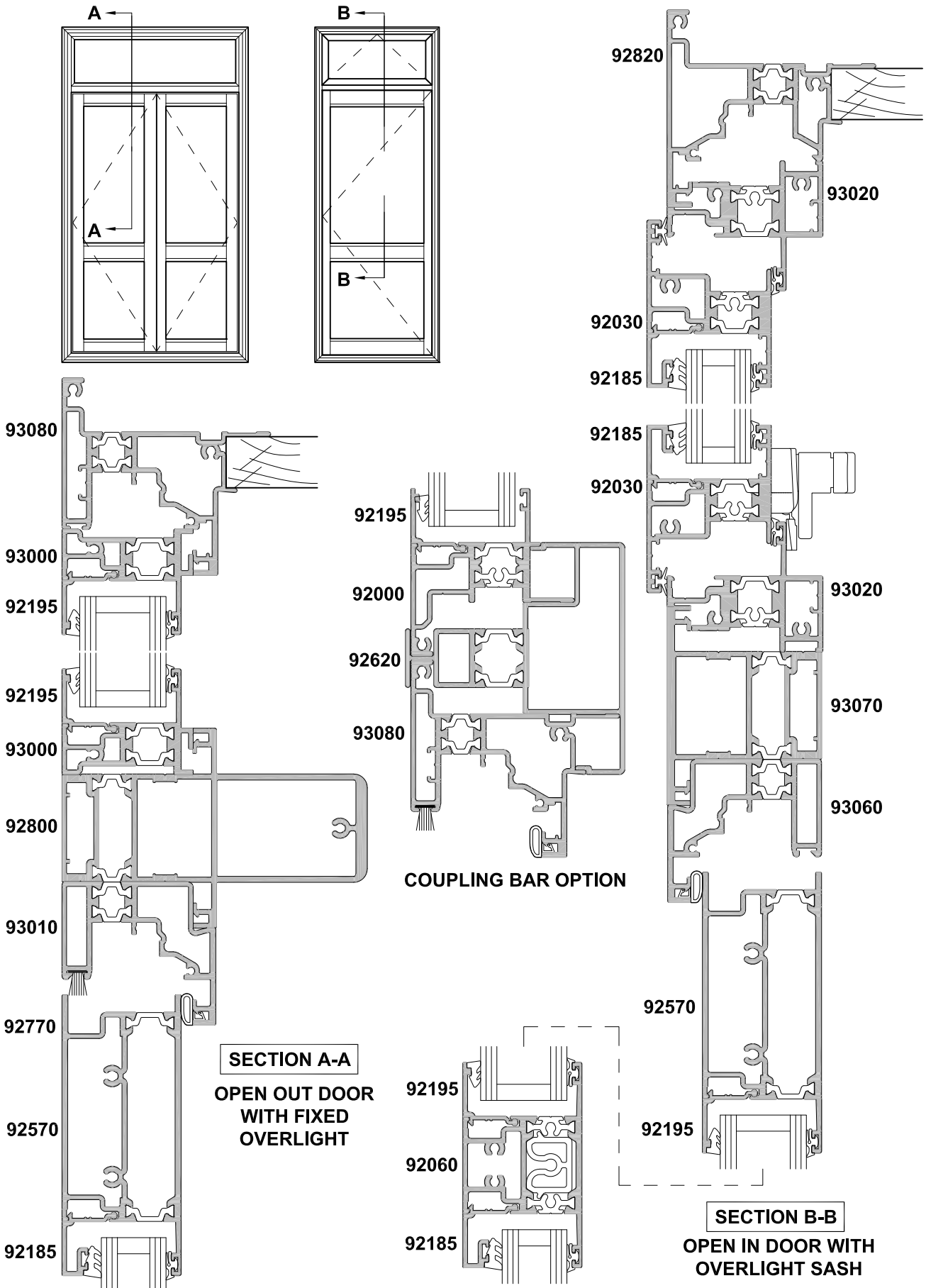


**SECTION B-B  
OPEN OUT DOOR**



**METRO THERMAL HEART  
OPEN OUT & OPEN IN HINGED DOOR  
COUPLED OVERLIGHT  
CROSS SECTION**

Date 01.08.17 Scale 1:2



**SECTION A-A  
OPEN OUT DOOR  
WITH FIXED  
OVERLIGHT**

**SECTION B-B  
OPEN IN DOOR WITH  
OVERLIGHT SASH**