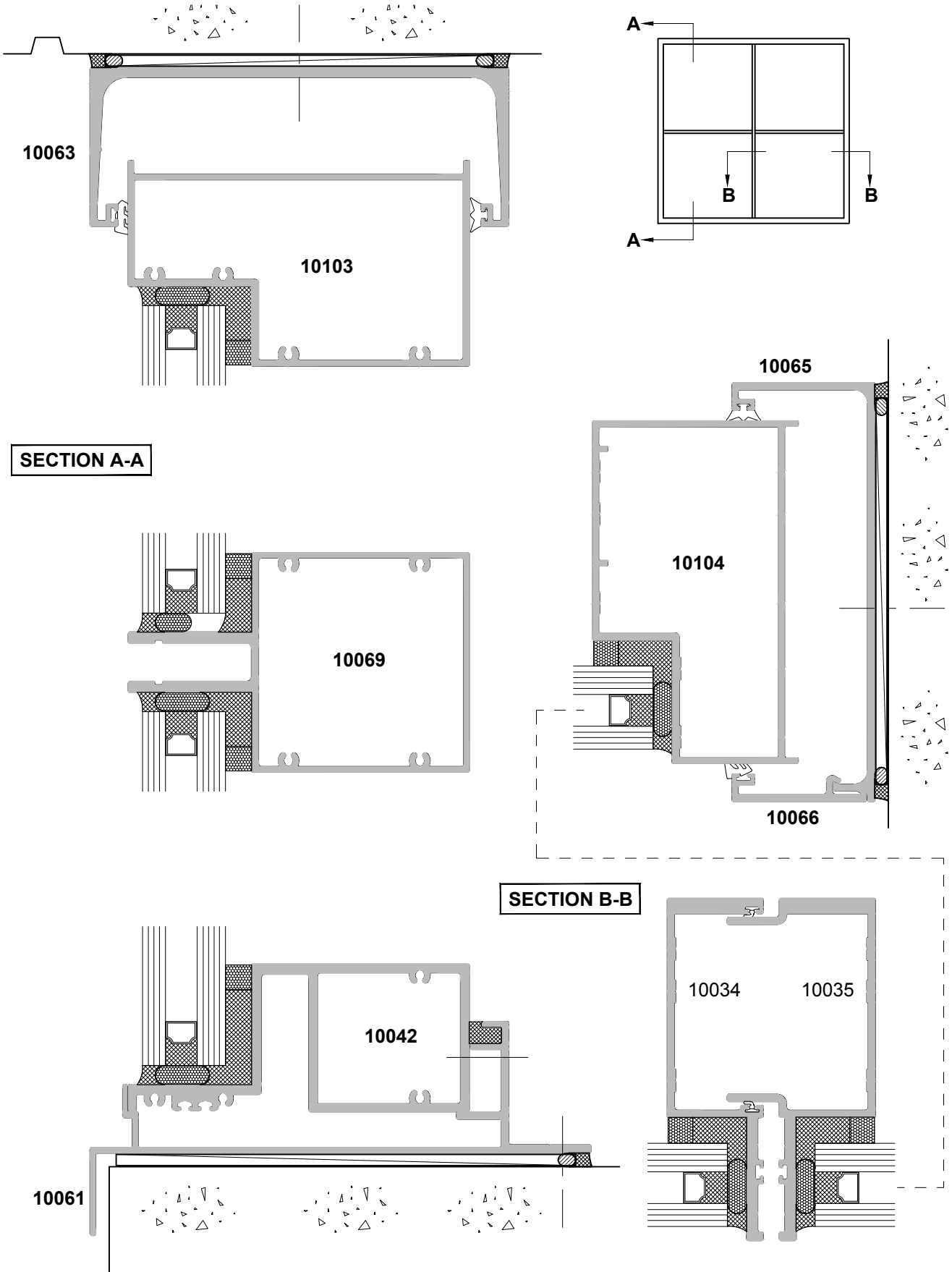


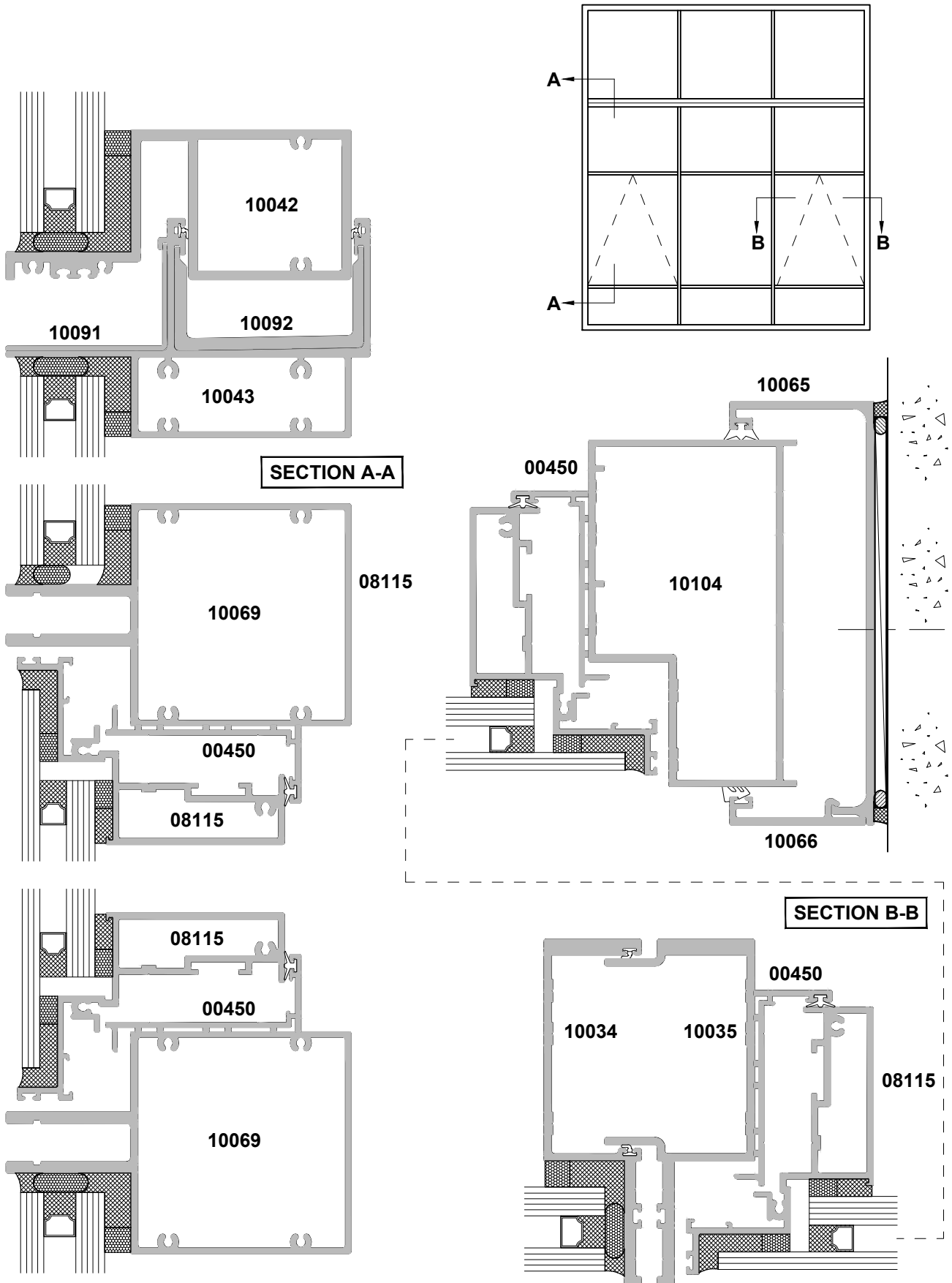
125MM STRUCTURAL GLAZED SYSTEM
DOUBLE GLAZED, SEISMIC SYSTEM

Date 01.04.17 Scale 1:2



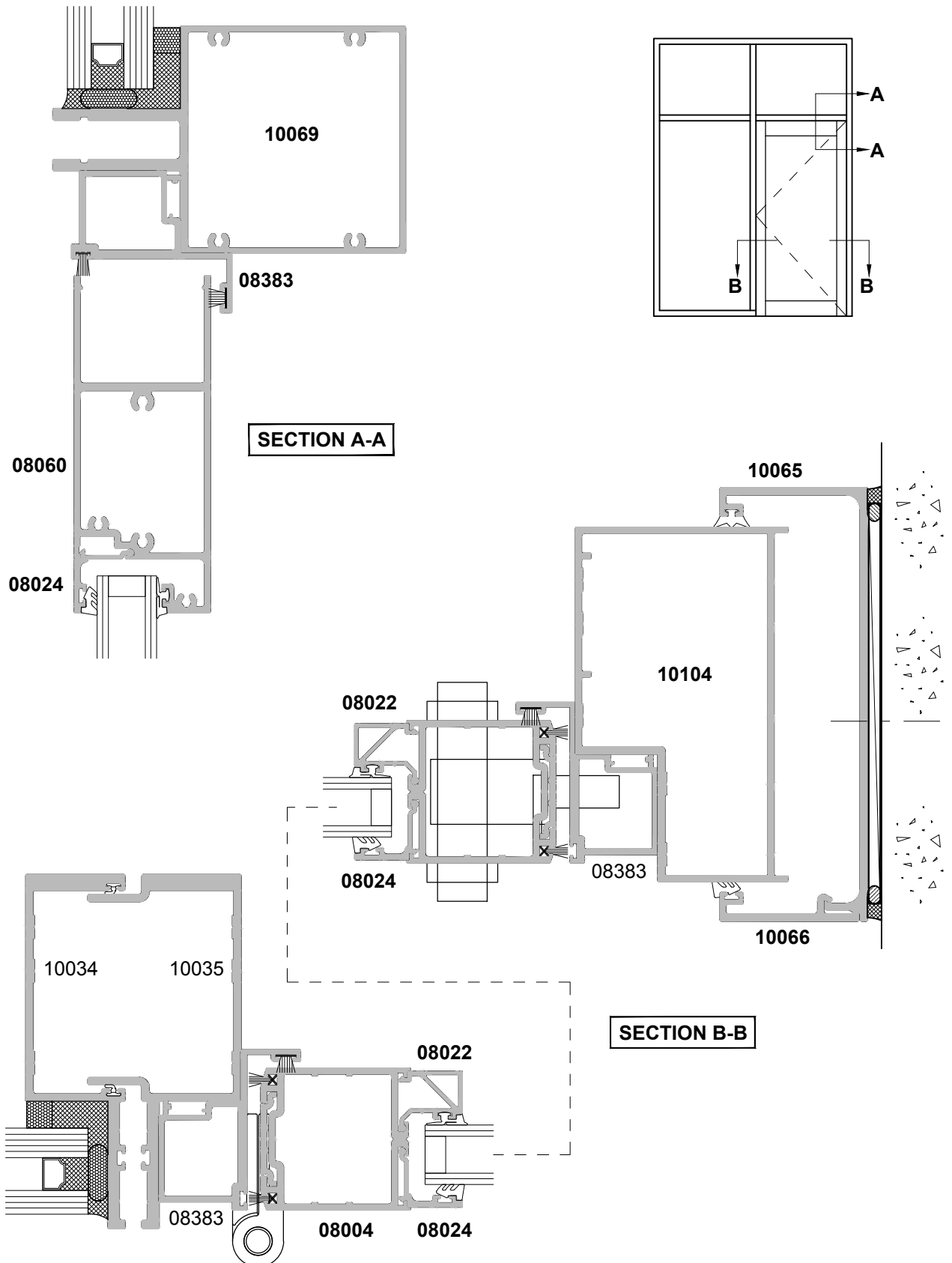
**125MM STRUCTURAL GLAZED SYSTEM
DOUBLE GLAZED, SEISMIC SYSTEM**

Date 01.04.17 Scale 1:2



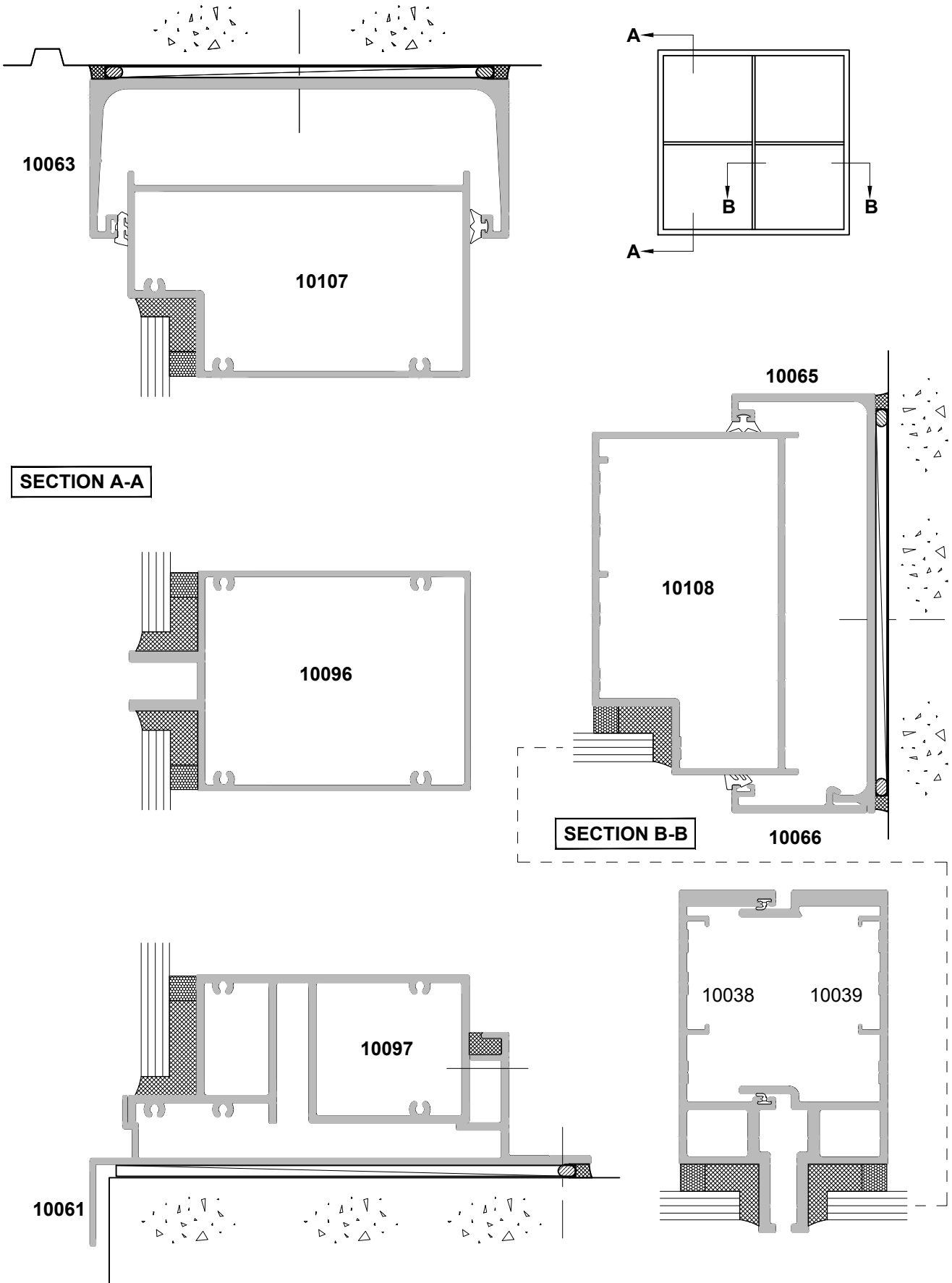
125MM STRUCTURAL GLAZED SYSTEM
DOUBLE GLAZED, SEISMIC SYSTEM

Date 01.04.17 Scale 1:2



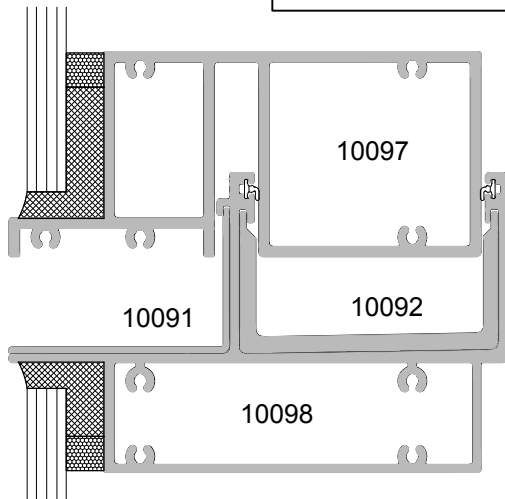
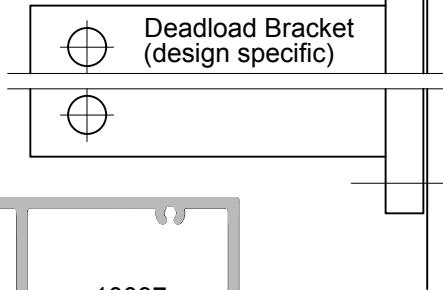
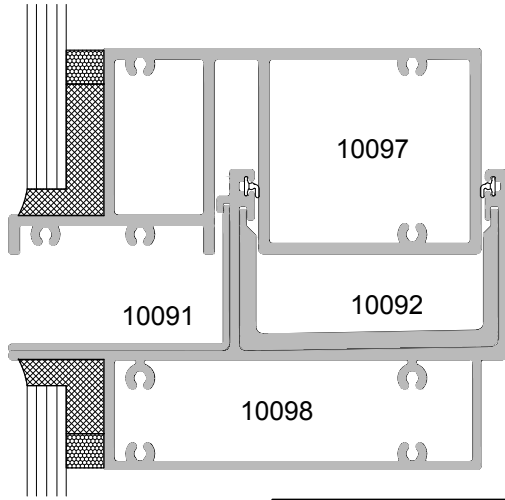
125MM STRUCTURAL GLAZED SYSTEM
SINGLE GLAZED, SEISMIC SYSTEM

Date 01.04.17 Scale 1:2

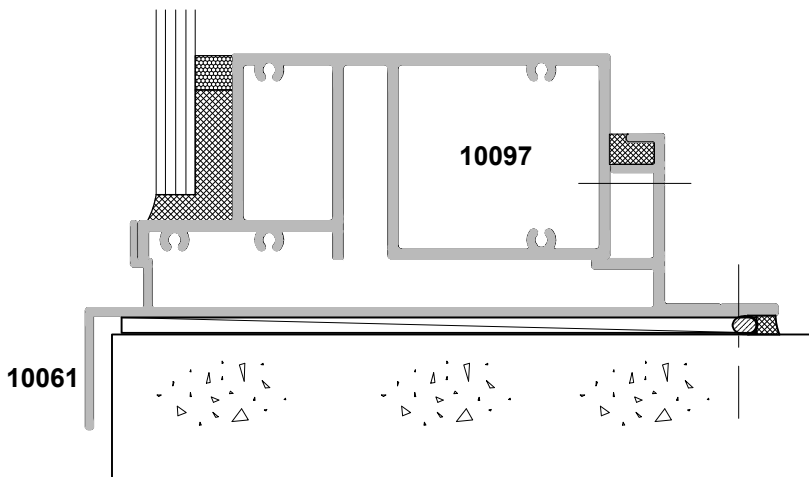
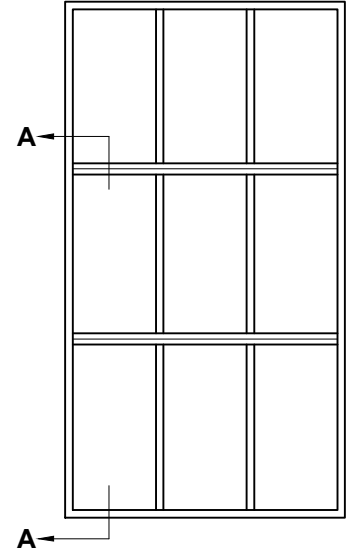


125MM STRUCTURAL GLAZED SYSTEM
SINGLE GLAZED, SEISMIC SYSTEM

Date 01.04.17 Scale 1:2

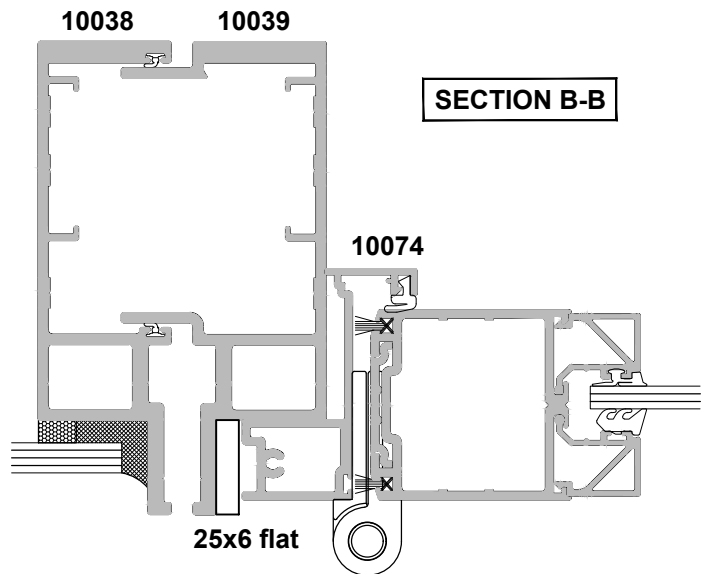
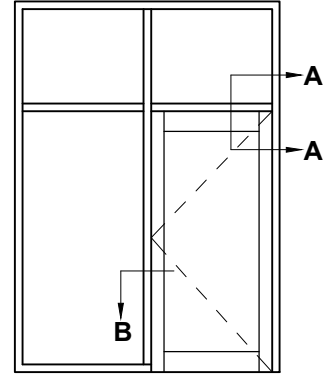
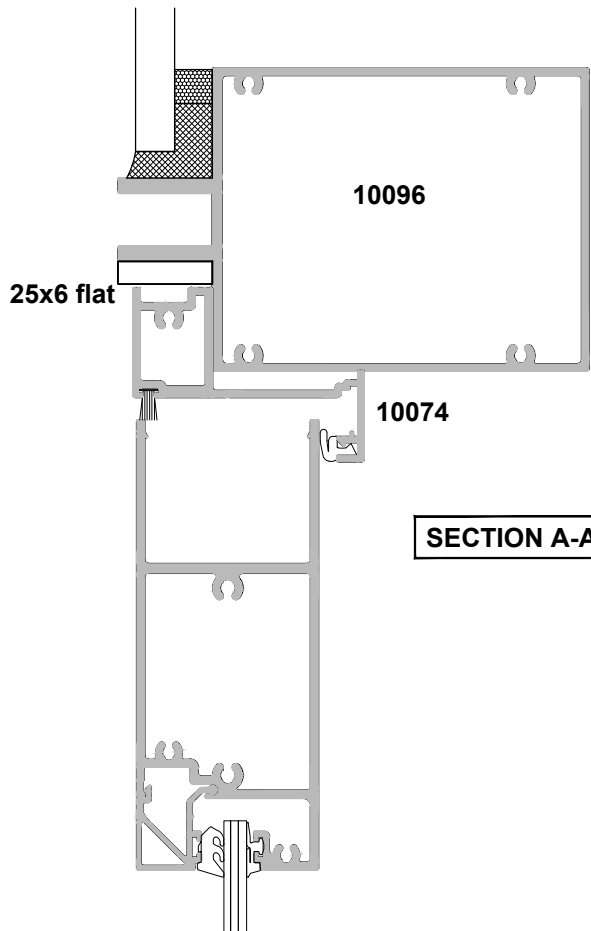


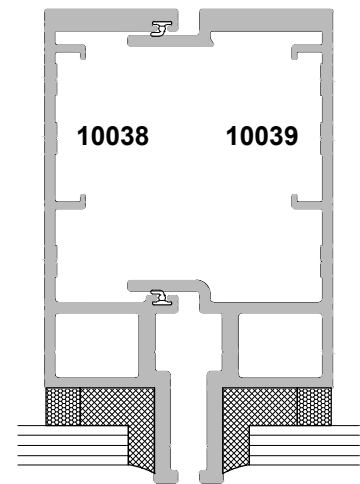
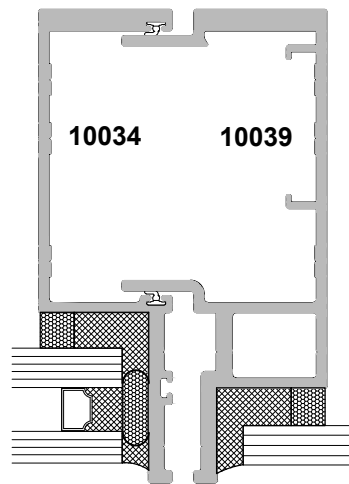
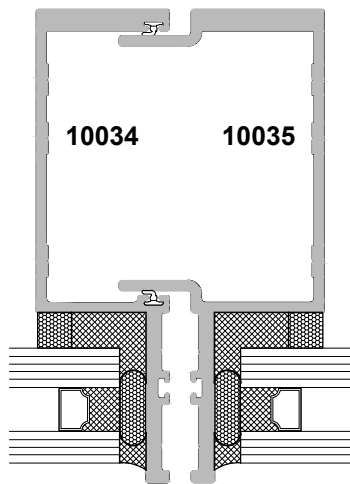
SECTION A-A



**125MM STRUCTURAL GLAZED SYSTEM
SINGLE GLAZED, DOOR ADAPTOR**

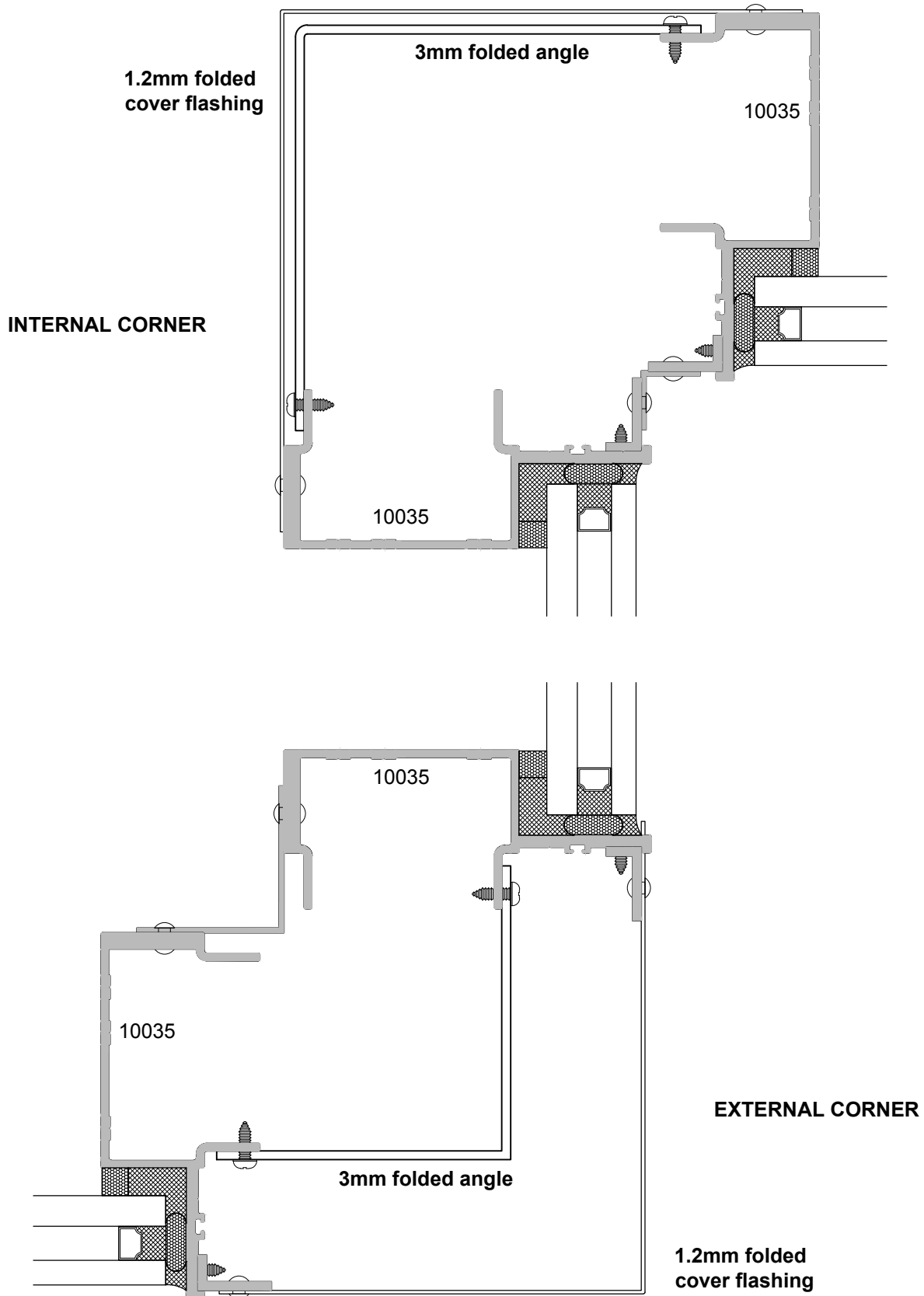
Date 01.04.17 Scale 1:2





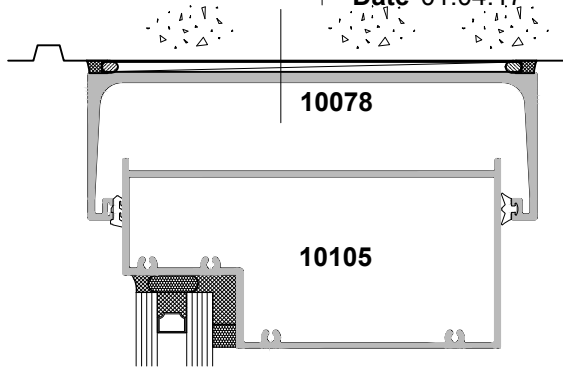
**125MM STRUCTURAL GLAZED SYSTEM
DOUBLE GLAZED 90° CORNER MULLIONS**

Date 01.04.17 Scale 1:2

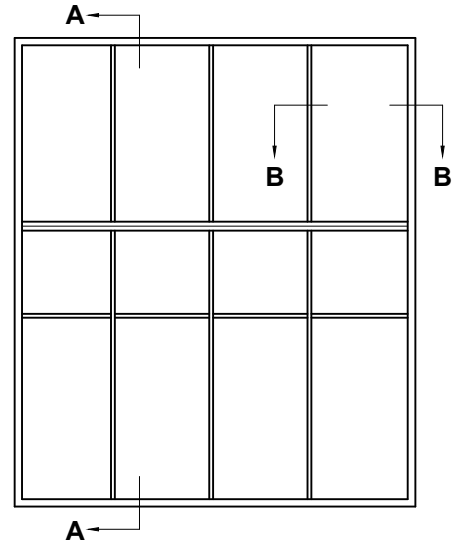
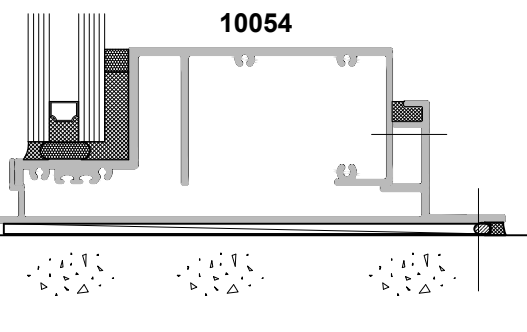
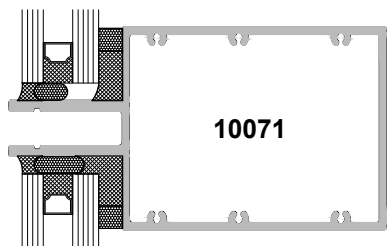
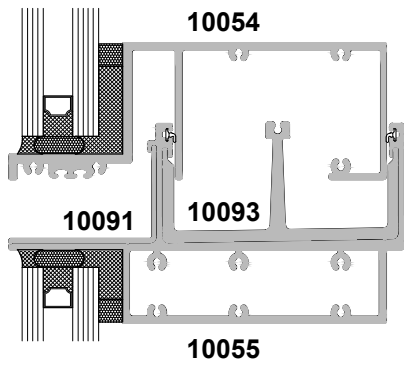
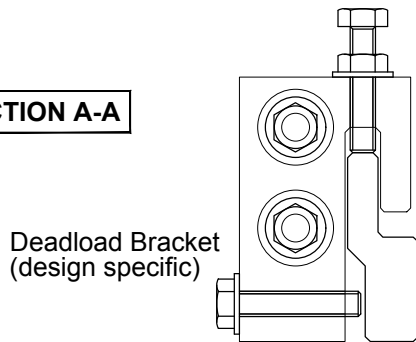


**150MM STRUCTURAL GLAZED SYSTEM
DOUBLE GLAZED, SEISMIC SYSTEM**

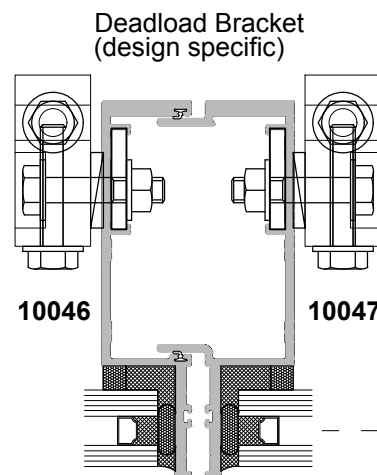
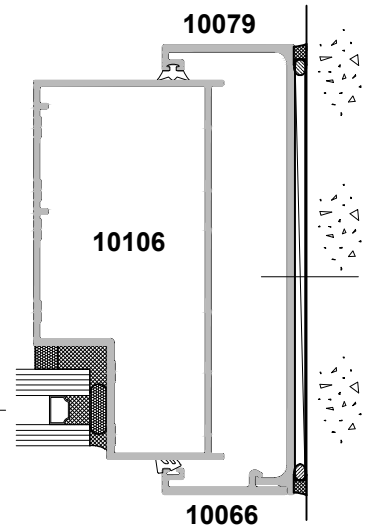
Date 01.04.17 Scale 1:2



SECTION A-A



SECTION B-B



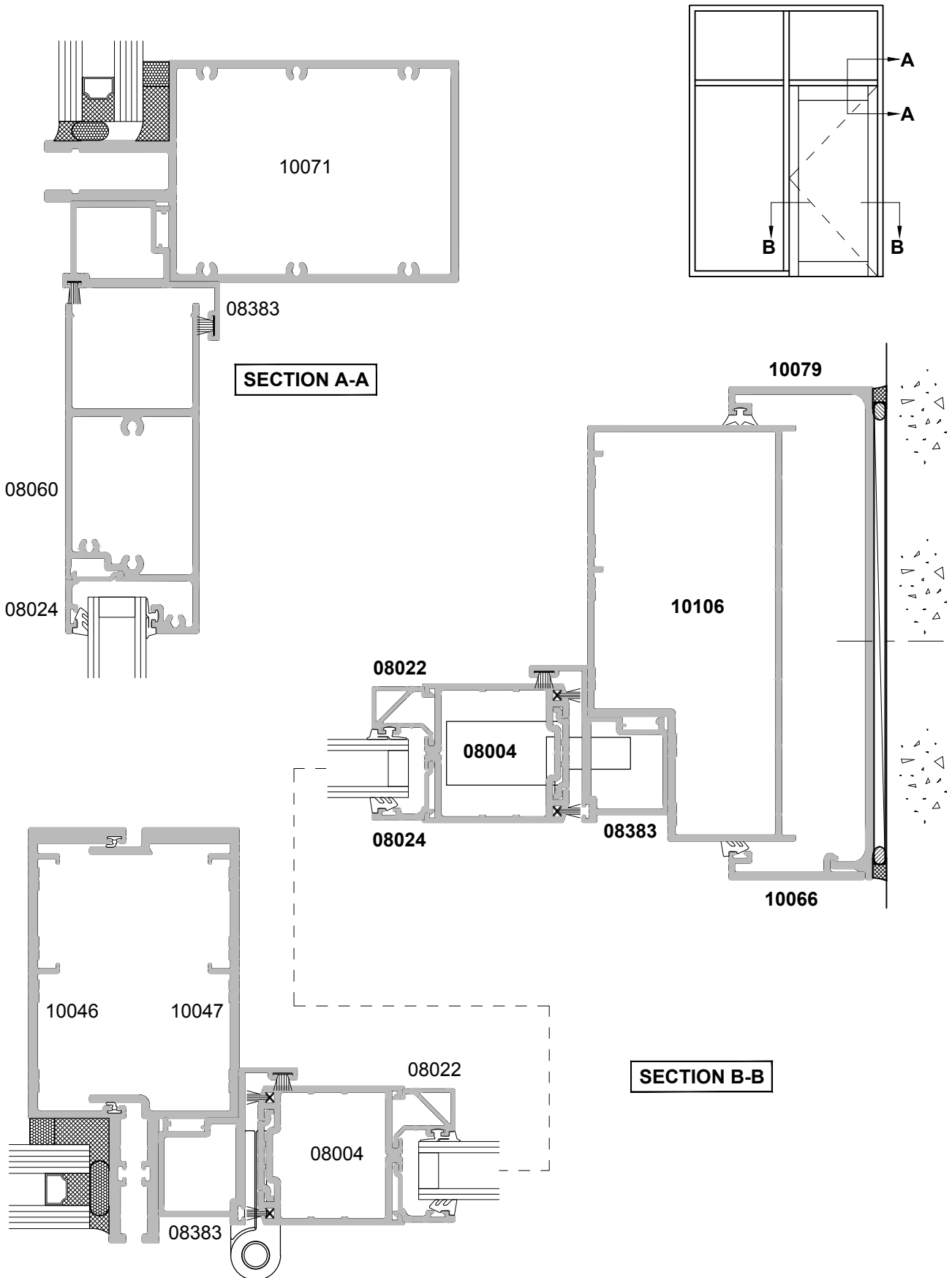
**150MM STRUCTURAL GLAZED SYSTEM
DOUBLE GLAZED, SASH ADAPTOR**

Date 01.04.17 Scale 1:2



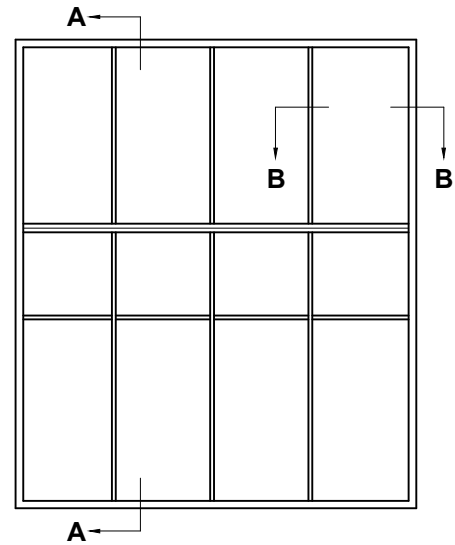
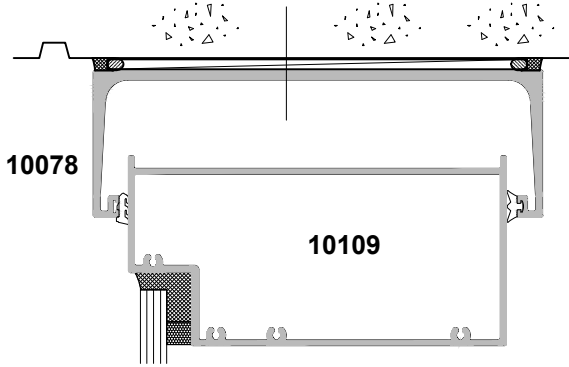
**150MM STRUCTURAL GLAZED SYSTEM
DOUBLE GLAZED, DOOR ADAPTOR**

Date 01.04.17 Scale 1:2

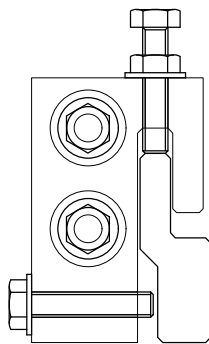


**150MM STRUCTURAL GLAZED SYSTEM
SINGLE GLAZED, SEISMIC SYSTEM**

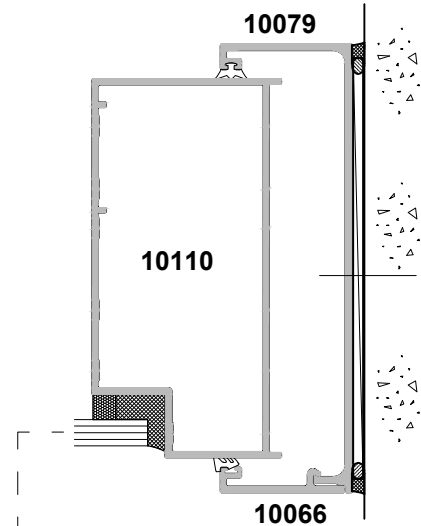
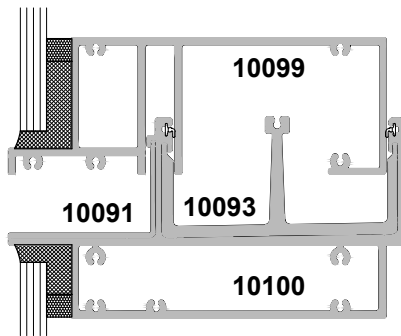
Date 01.04.17 Scale 1:3



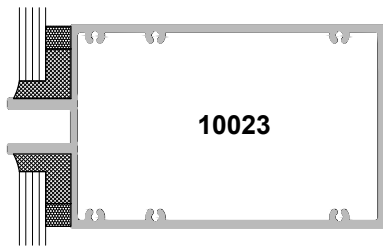
SECTION A-A



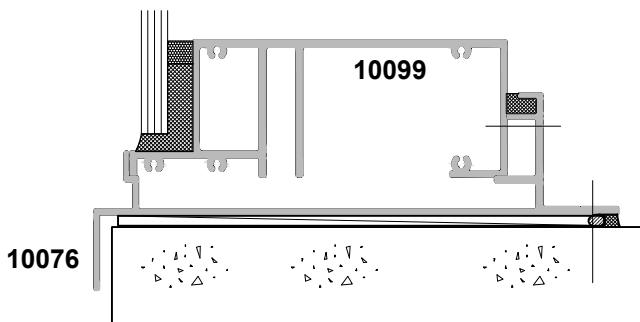
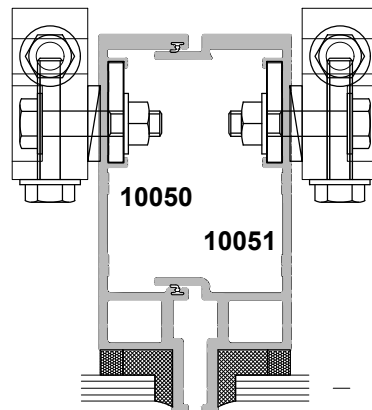
Deadload Bracket
(design specific)



SECTION B-B

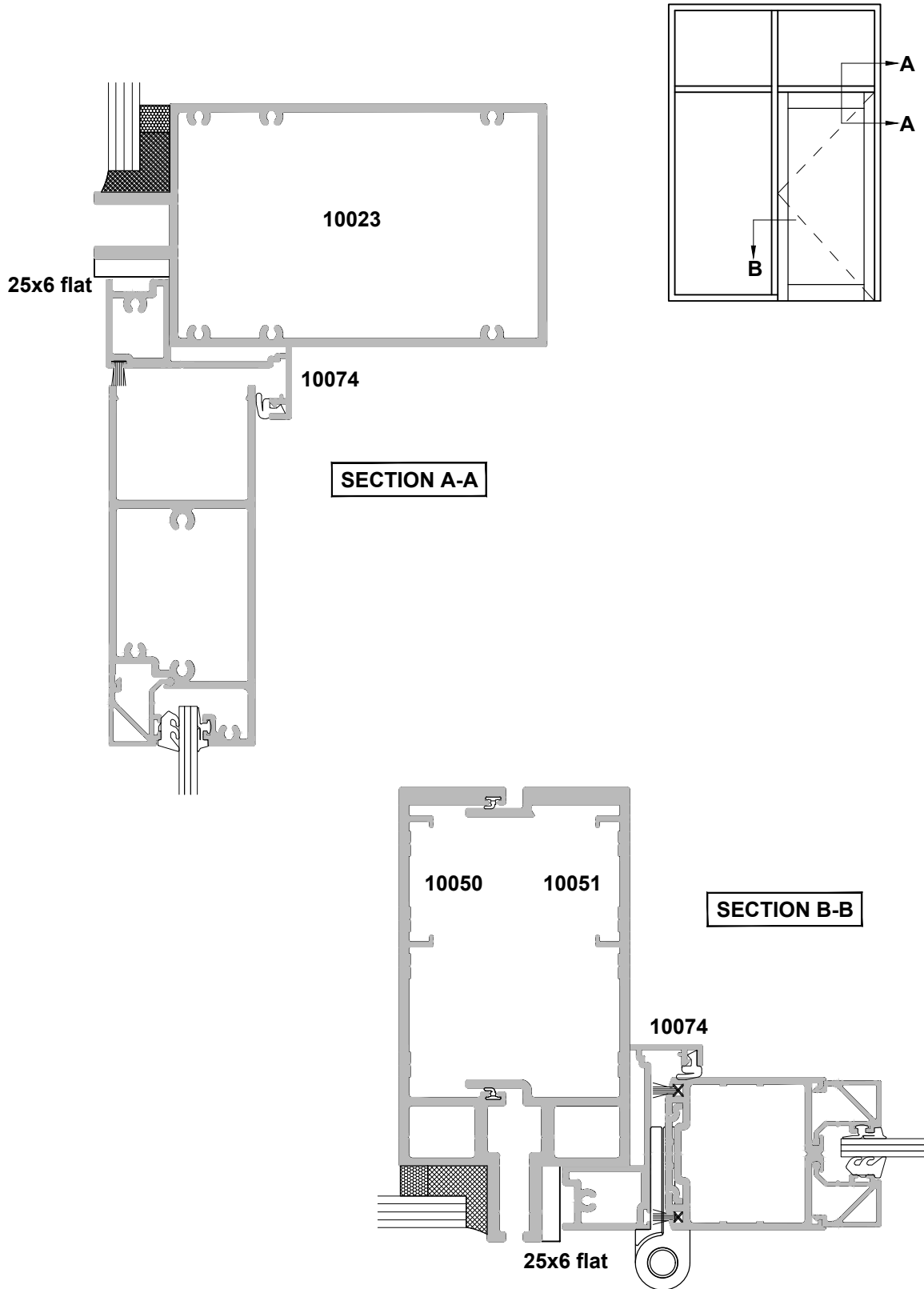


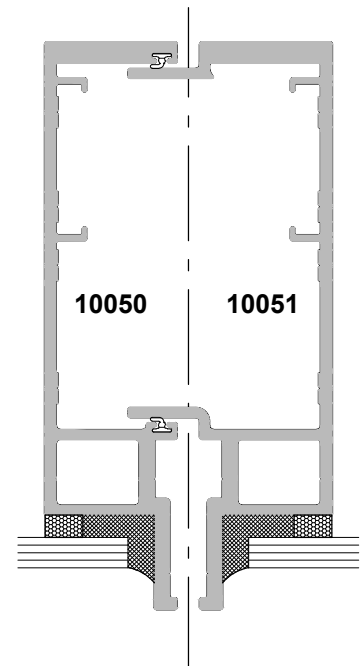
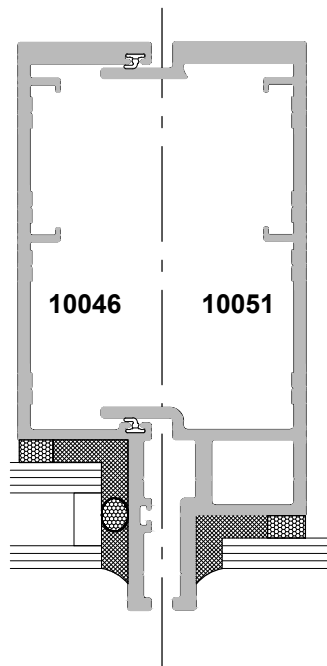
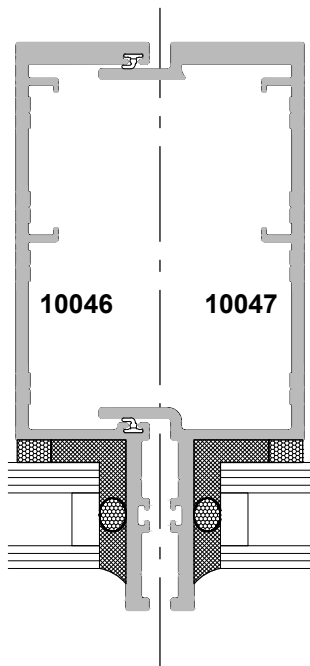
Deadload Bracket
(design specific)



**150MM STRUCTURAL GLAZED SYSTEM
SINGLE GLAZED, DOOR ADAPTOR**

Date 01.04.17 Scale 1:2





**150MM STRUCTURAL GLAZED SYSTEM
DOUBLE GLAZED 90° CORNER MULLIONS
CROSS SECTION**

Date 01.04.17 Scale 1:3

