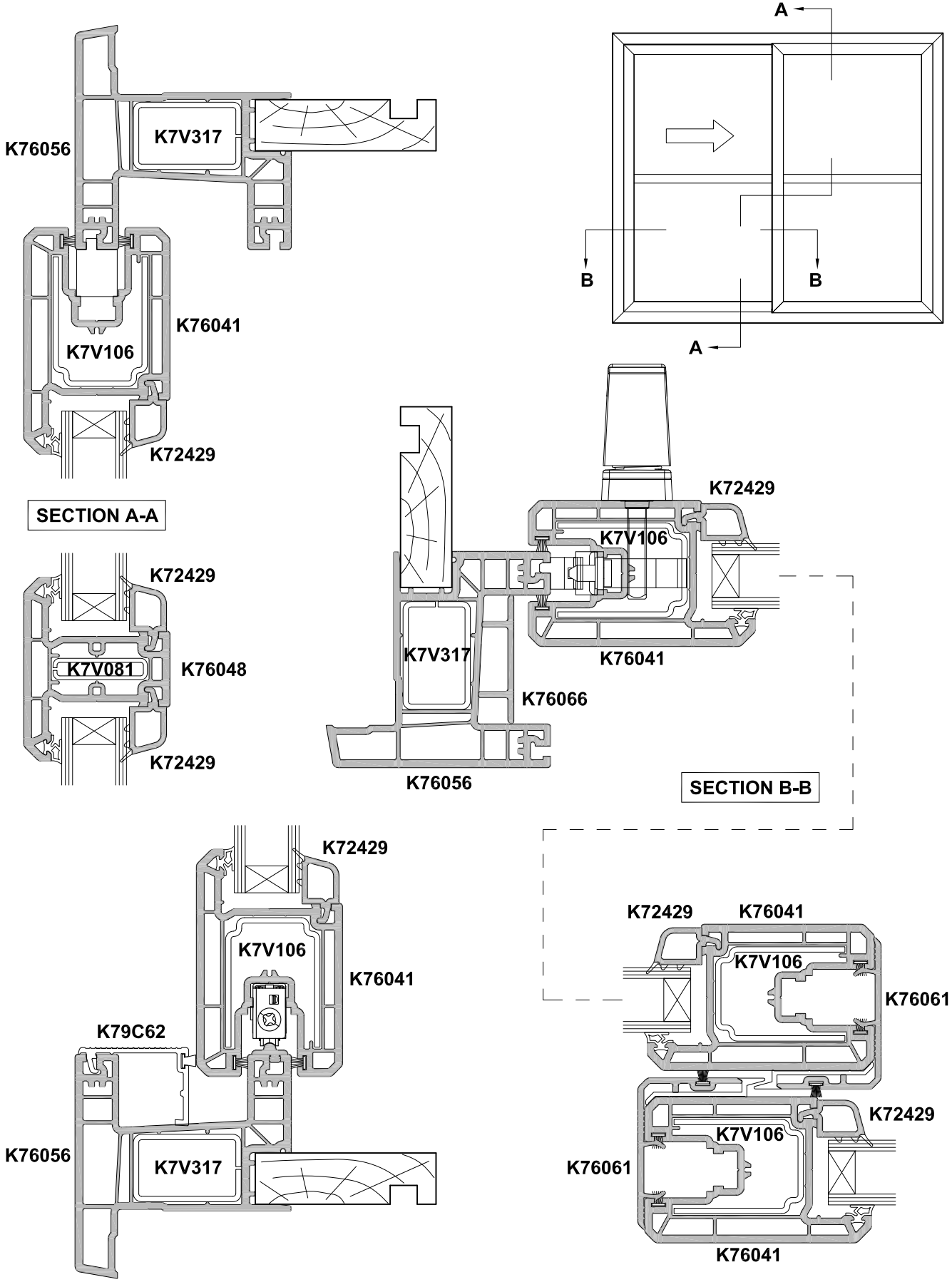


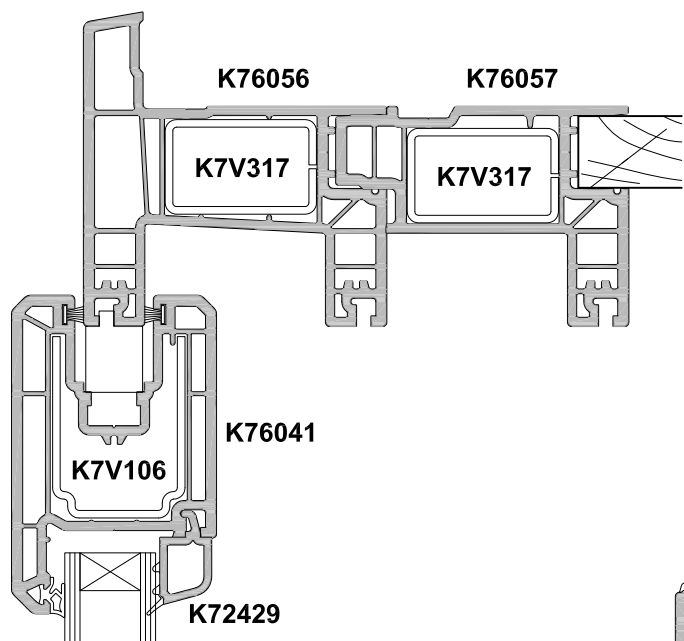
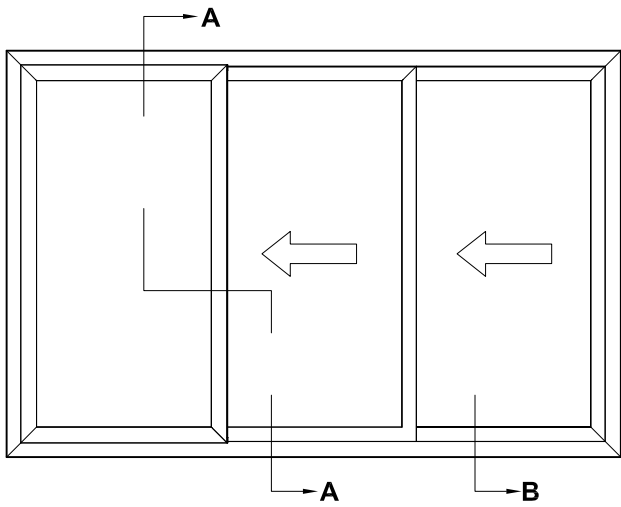
KLIMA SERIES, SLIDING DOOR
TWO PANELS SF
CROSS SECTION

Date 01.01.17 Scale 1:2

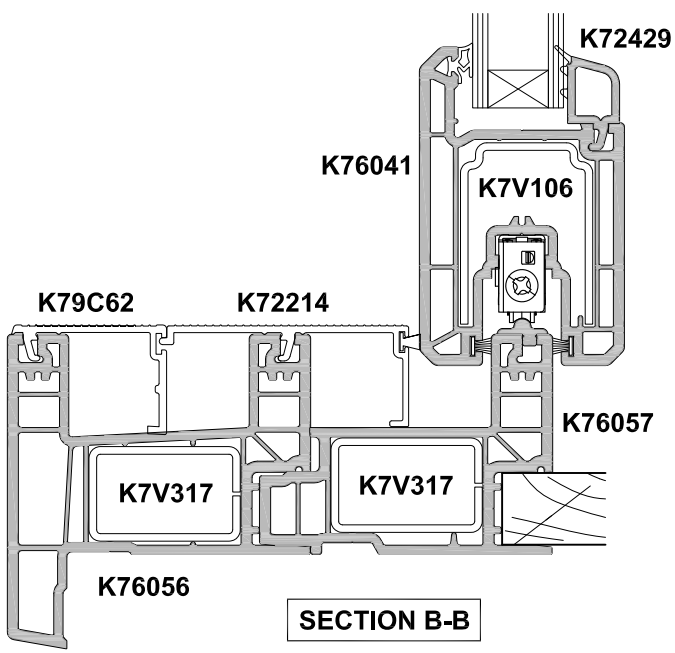


CROSS SECTION

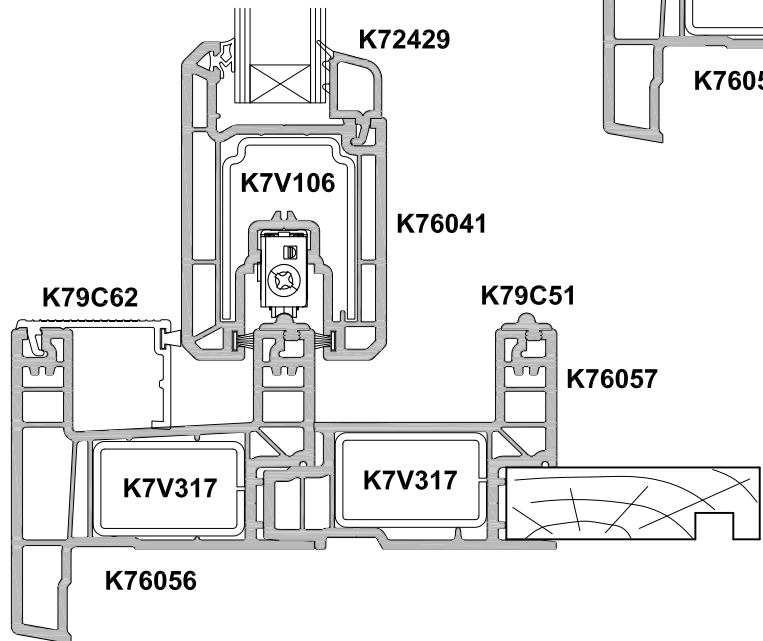
Date 01.01.17 Scale 1:2



SECTION A-A



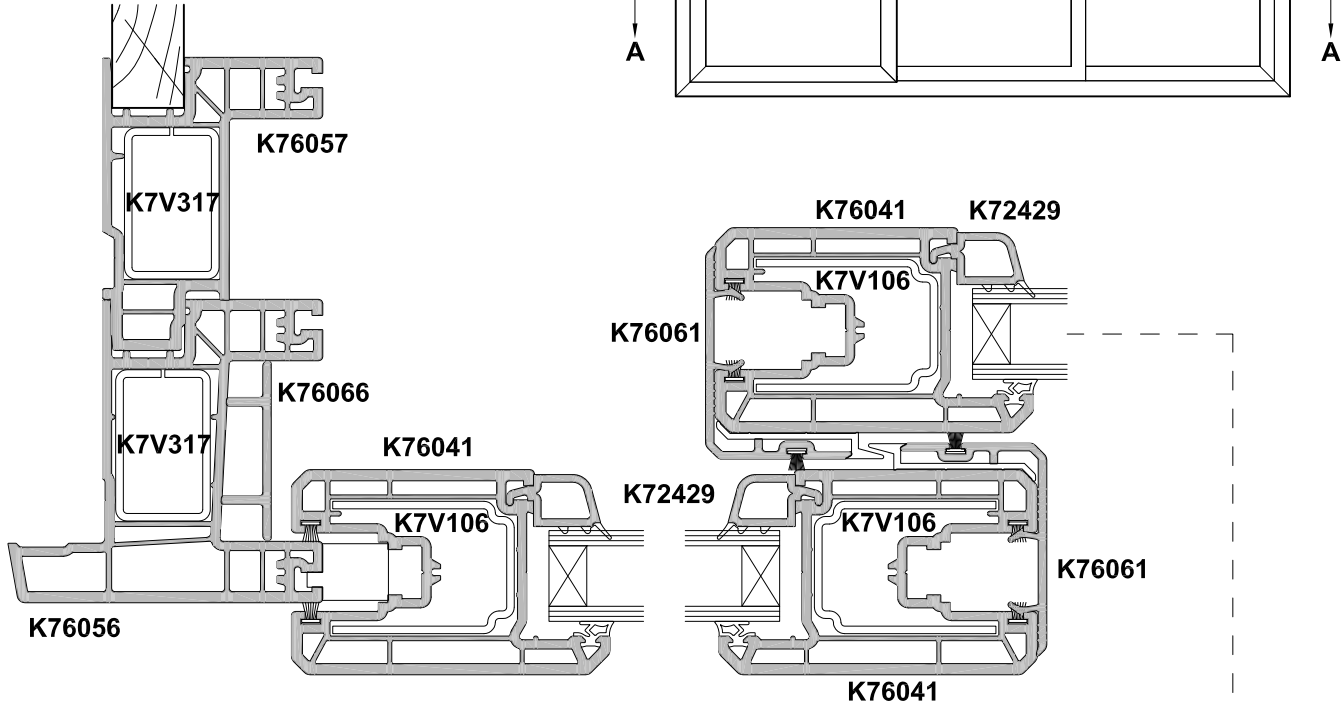
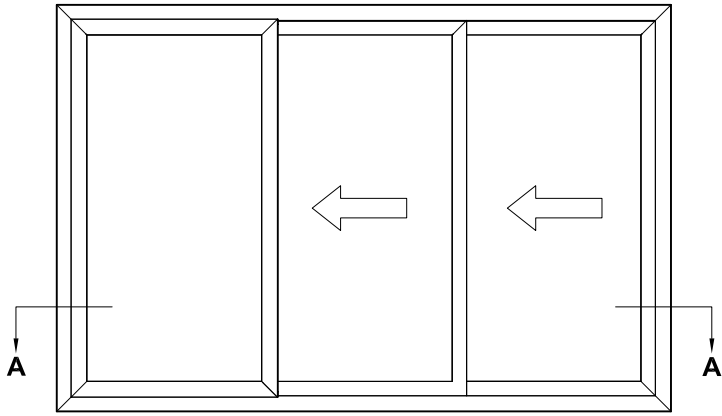
SECTION B-B



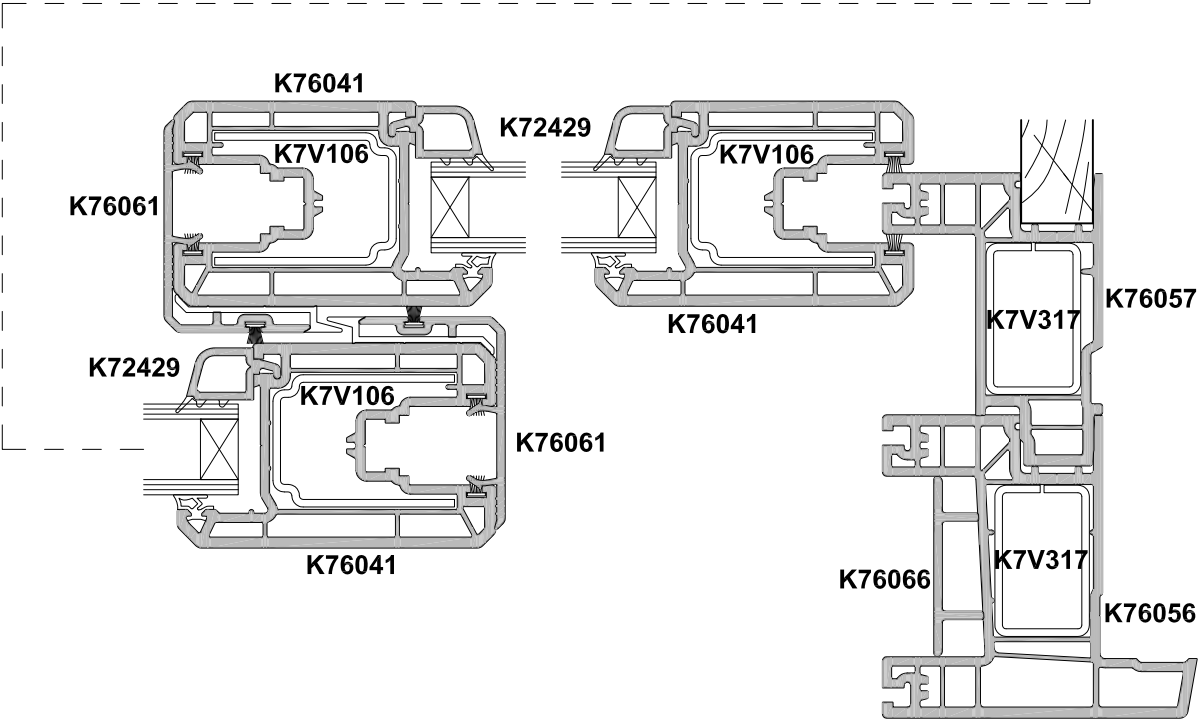
KLIMA SERIES, SLIDING DOORS
THREE PANELS FSS, HORIZONTAL DETAILS

CROSS SECTION

Date 01.01.17 Scale 1:2

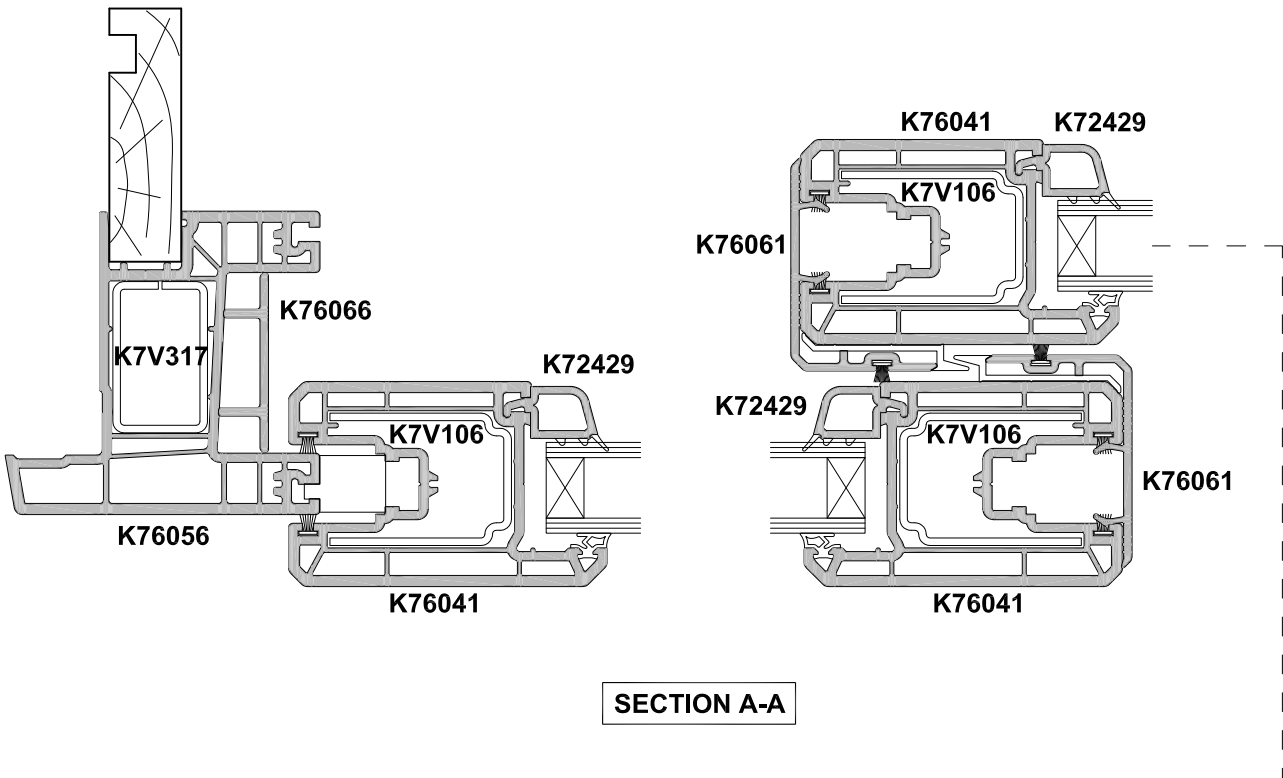
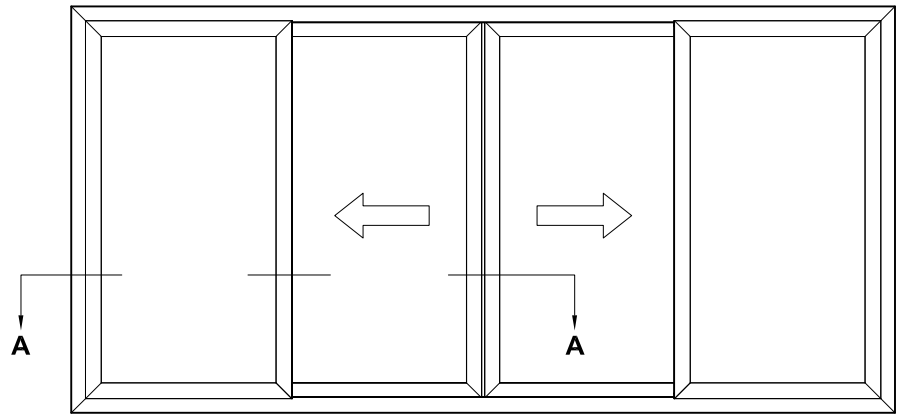


SECTION A-A

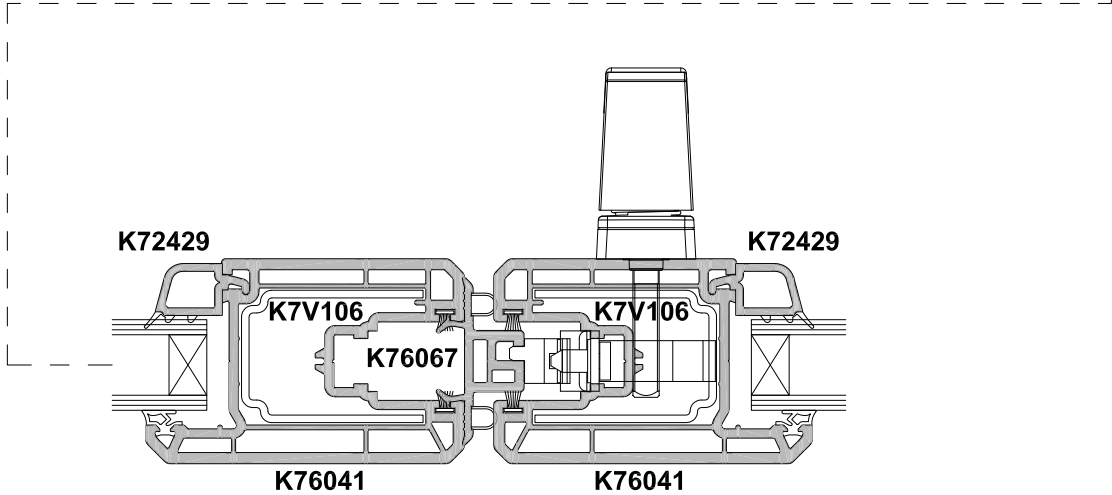


KLIMA SERIES
FOUR PANELS BI-PART FSSF, HORIZONTAL DETAILS
CROSS SECTION

Date 01.01.17 Scale 1:2

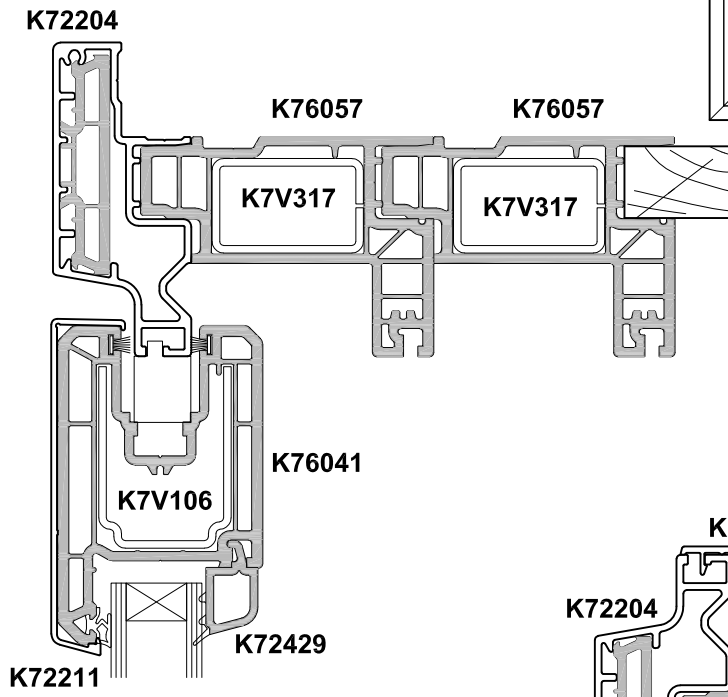
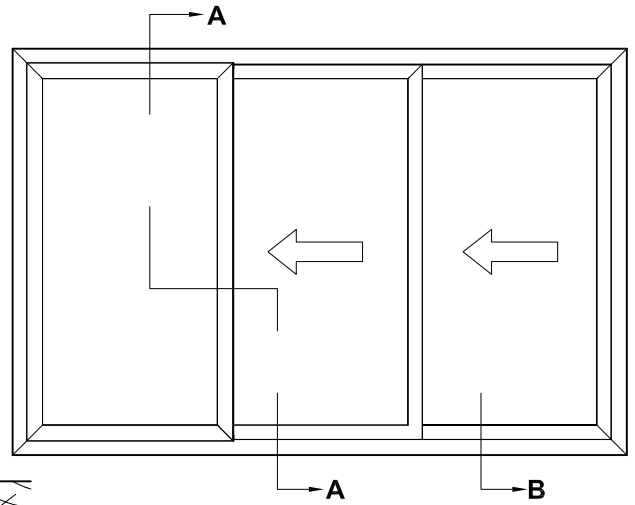


SECTION A-A

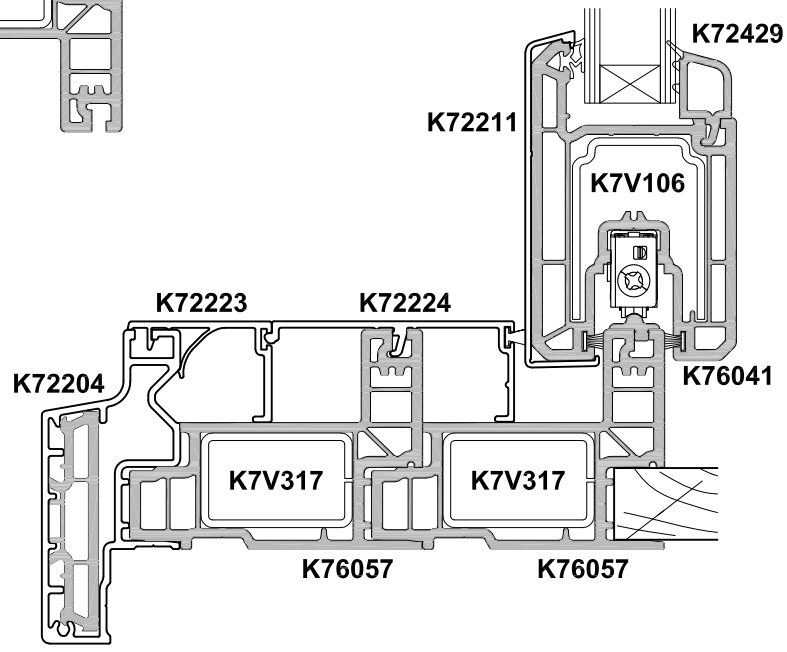


CROSS SECTION

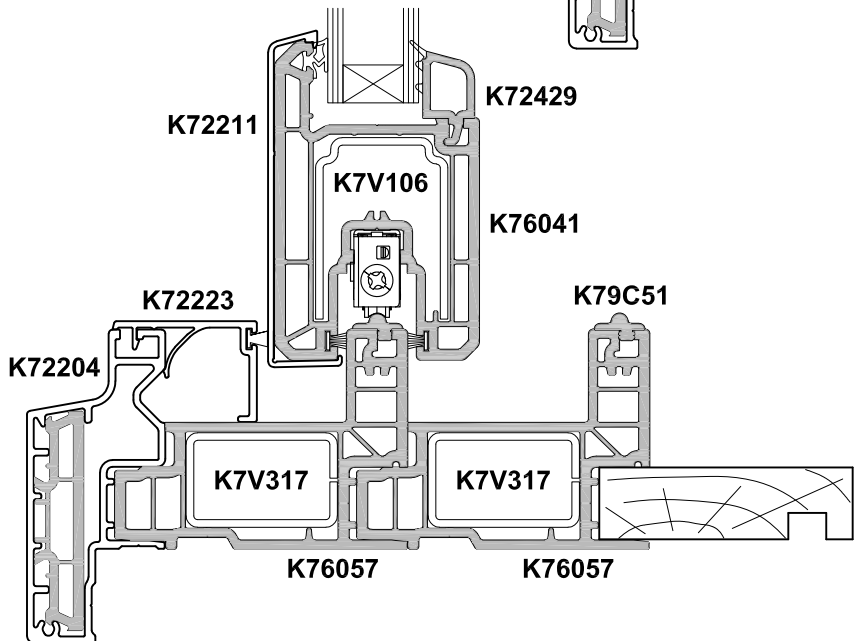
Date 01.06.20 Scale 1:2



SECTION A-A

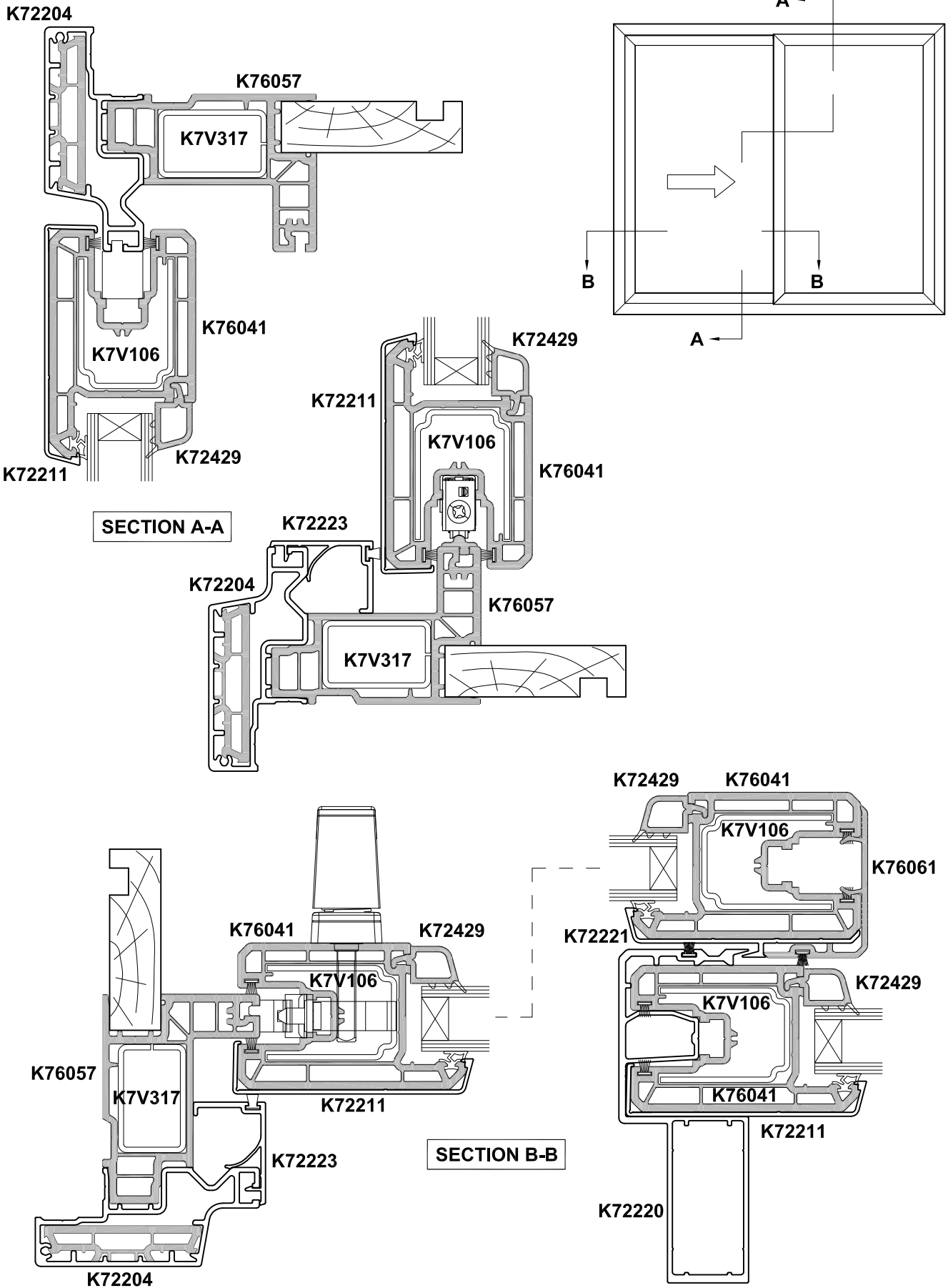


SECTION B-B



KLIMA SERIES ALUCLIP, SLIDING DOOR
TWO PANELS SF
CROSS SECTION

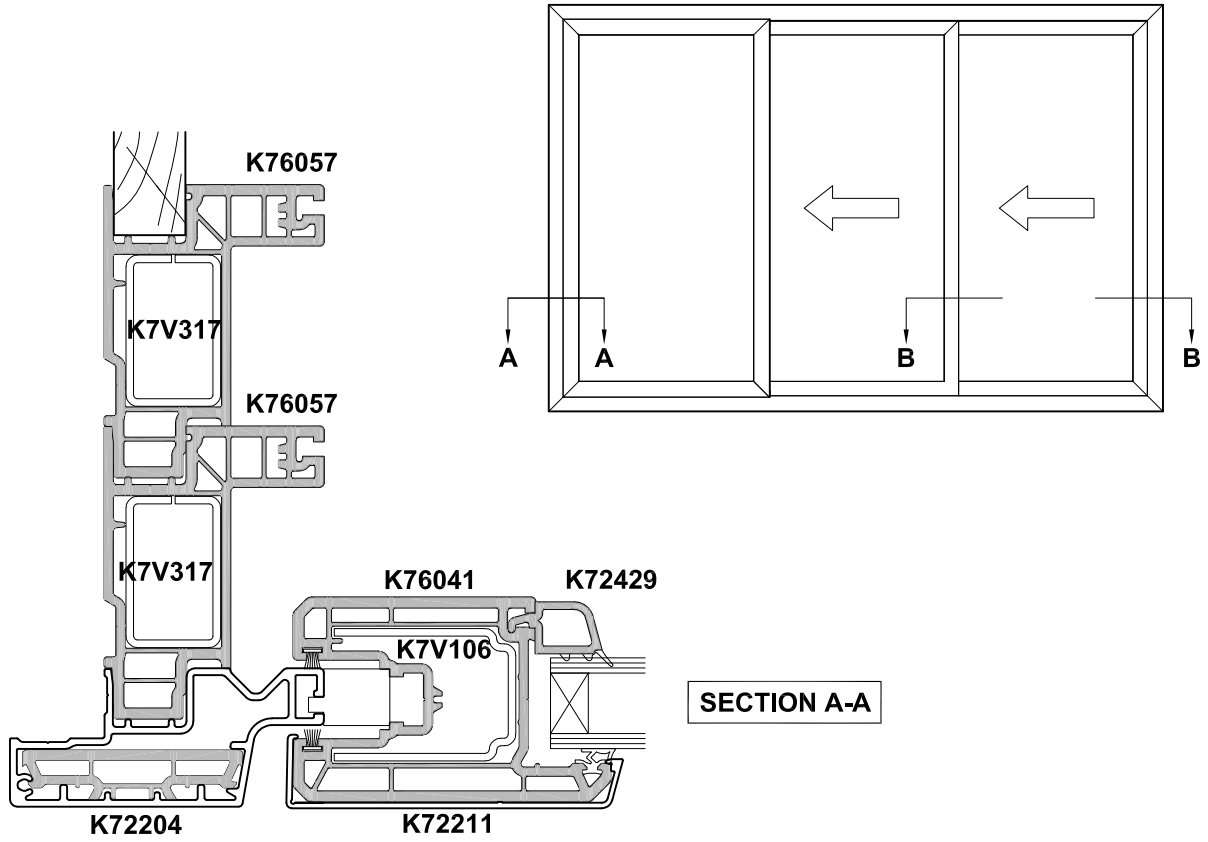
Date 01.06.20 Scale 1:2



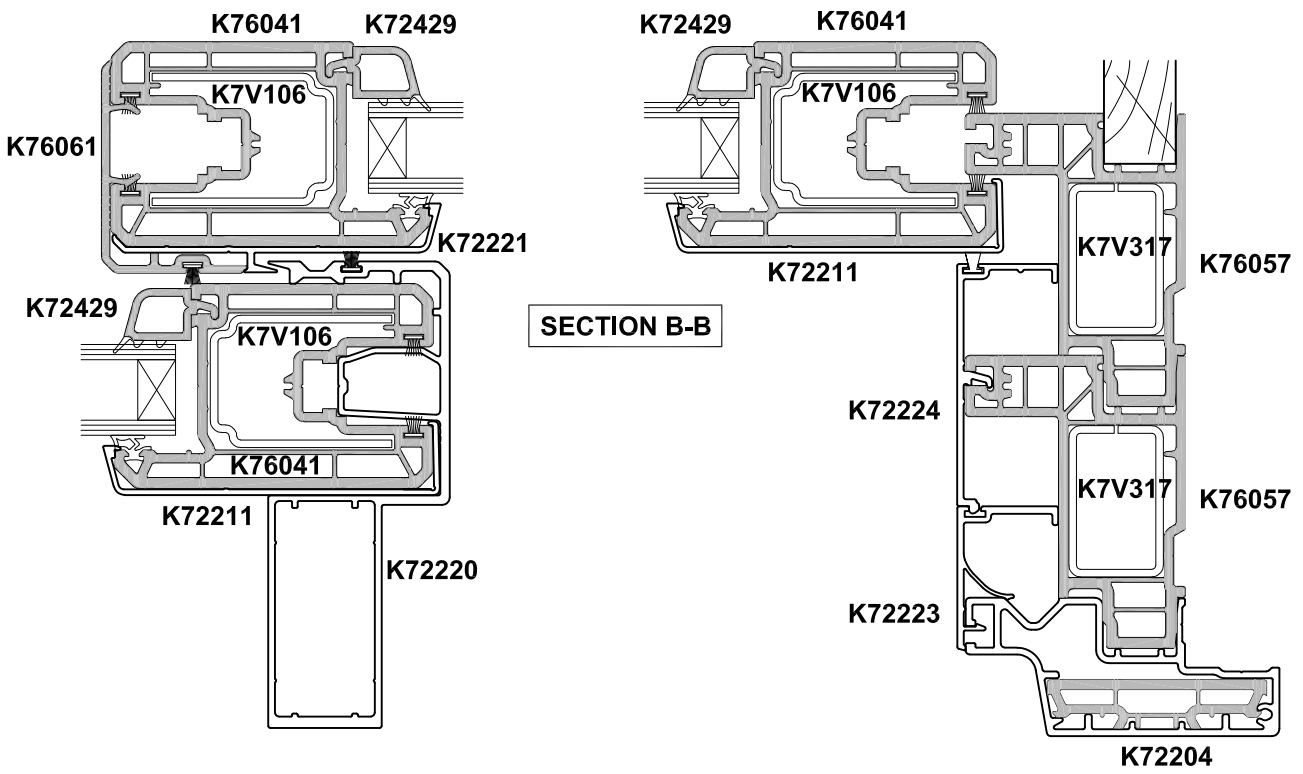
KLIMA SERIES ALUCLIP, SLIDING DOORS
THREE PANELS FSS, HORIZONTAL DETAILS

CROSS SECTION

Date 01.06.20 Scale 1:2



SECTION A-A



SECTION B-B

**KLIMA SERIES ALUCLIP
FOUR PANELS BI-PART FSSF, HORIZONTAL DETAILS**

CROSS SECTION

Date 01.06.20 Scale 1:2

