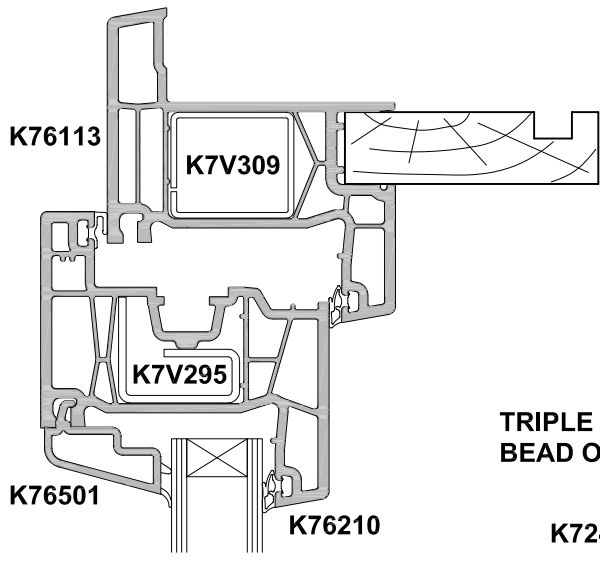
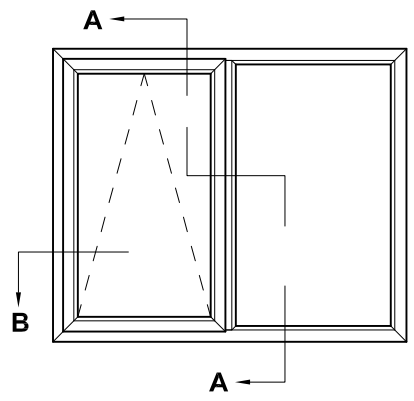


CROSS SECTION

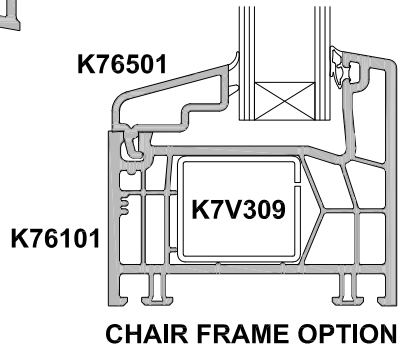
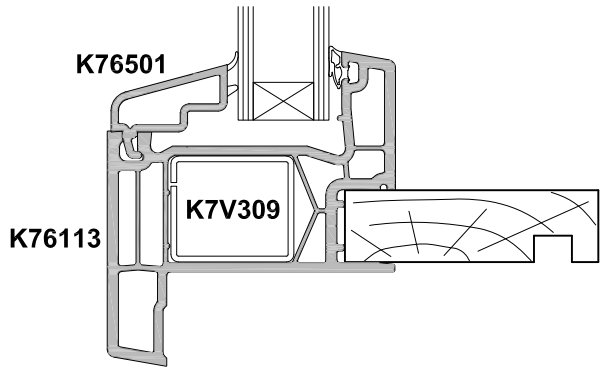
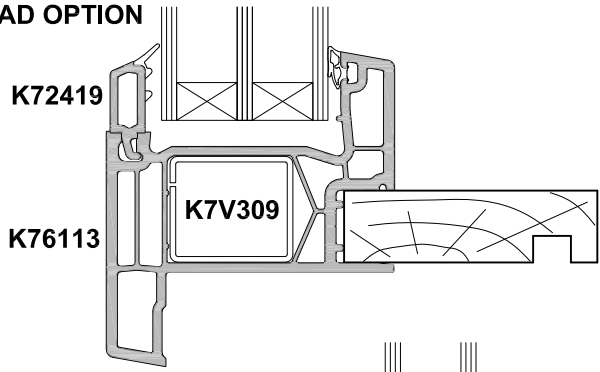
Date 01.06.20 Scale 1:2



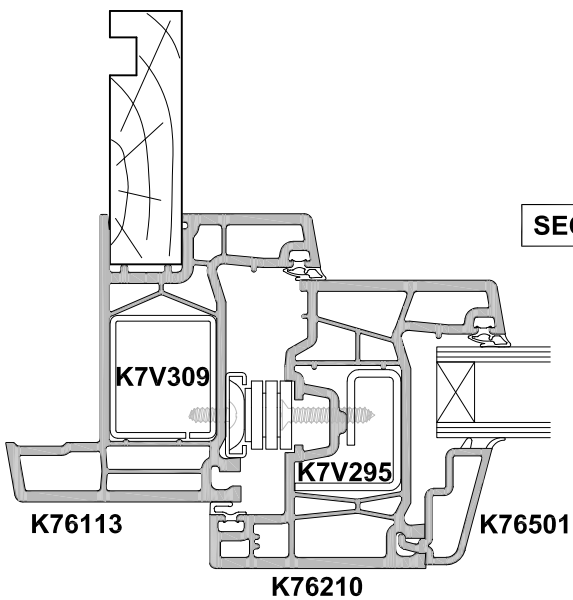
SECTION A-A



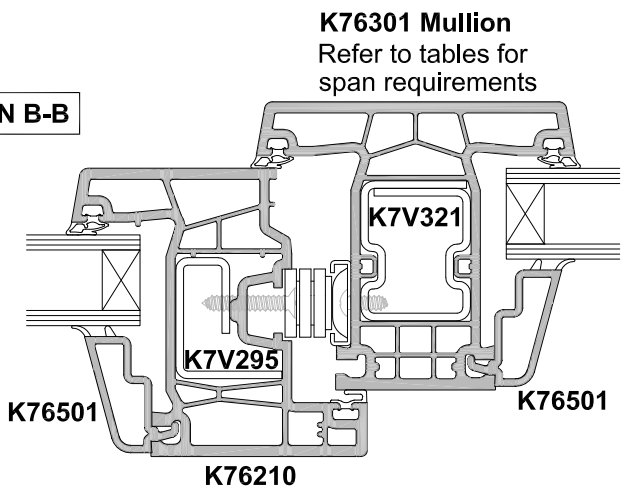
**TRIPLE GLAZING
BEAD OPTION**



CHAIR FRAME OPTION



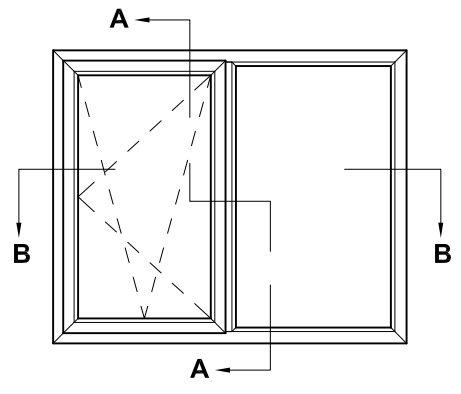
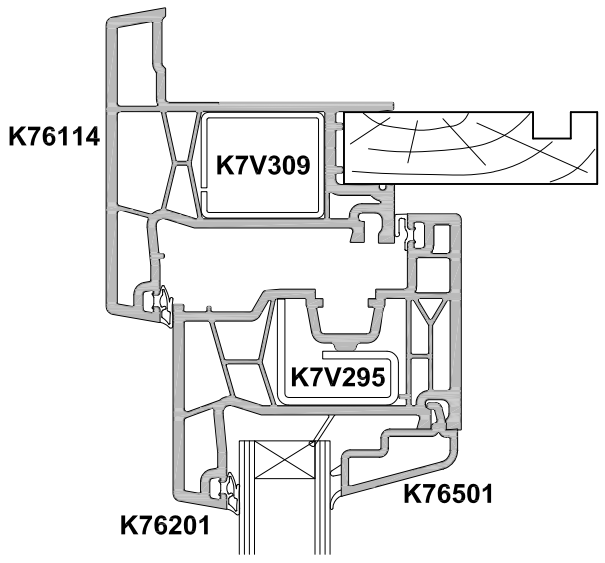
SECTION B-B



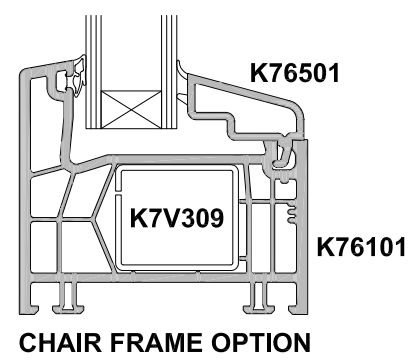
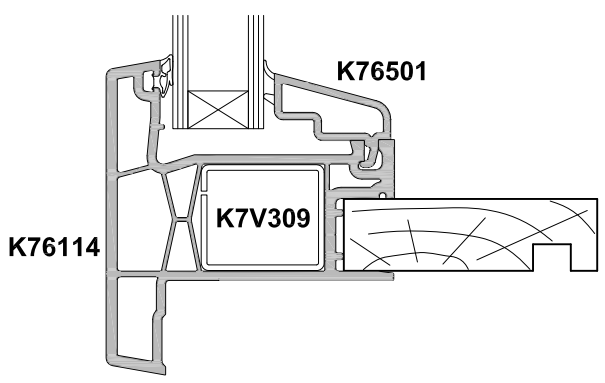
K76301 Mullion
Refer to tables for span requirements

CROSS SECTION

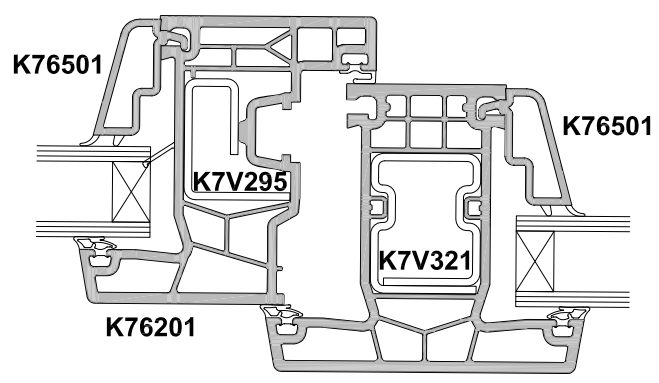
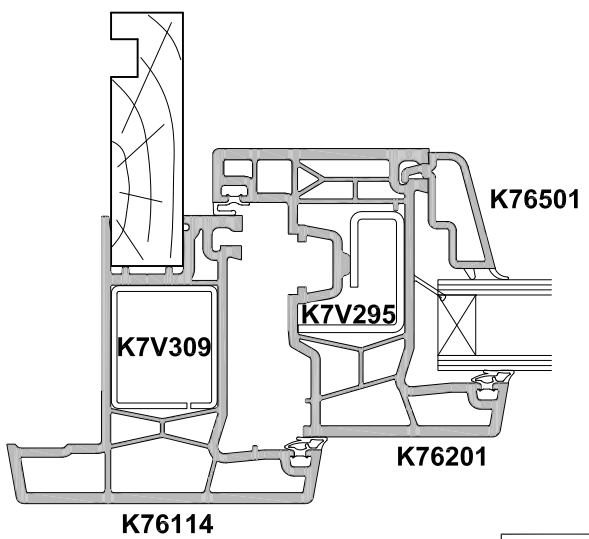
Date 01.01.17 Scale 1:2



SECTION A-A



CHAIR FRAME OPTION



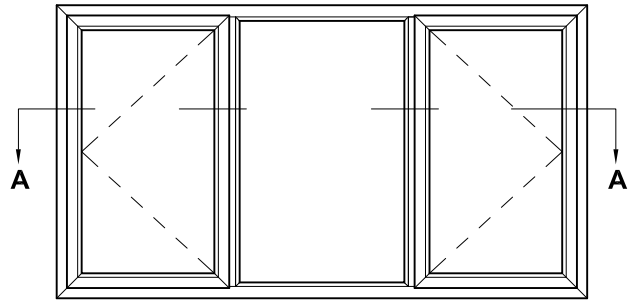
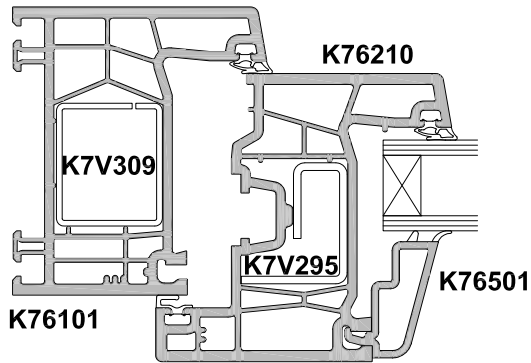
K76301 Mullion
Refer to tables for span requirements

SECTION B-B

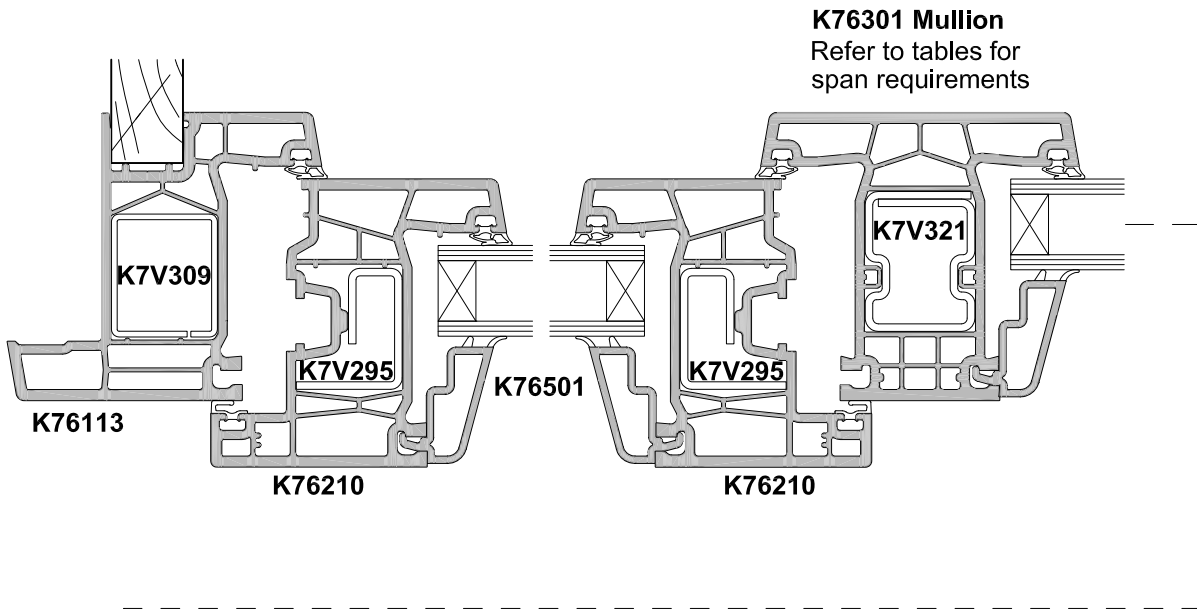
**KLIMA SERIES, CASEMENT WINDOW
HORIZONTAL DETAILS, SASH OPEN OUT**

CROSS SECTION

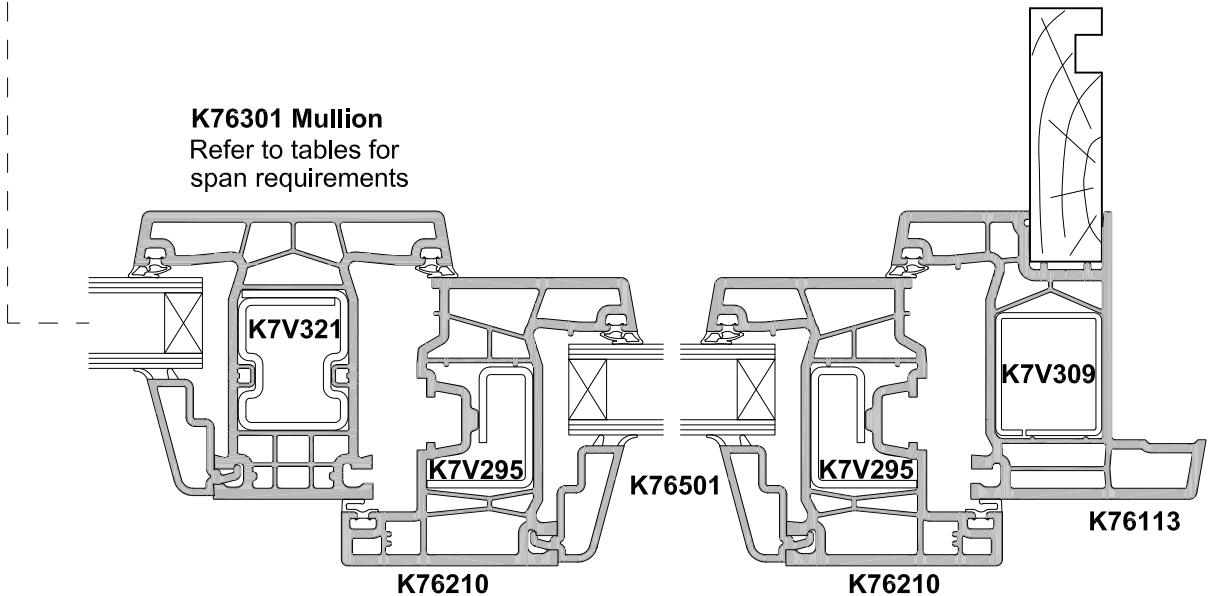
Date 01.01.17 Scale 1:2



CHAIR FRAME OPTION



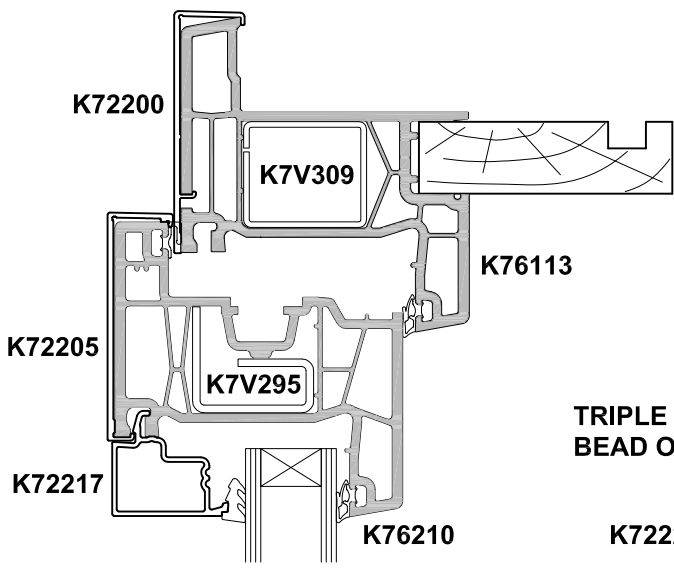
SECTION A-A



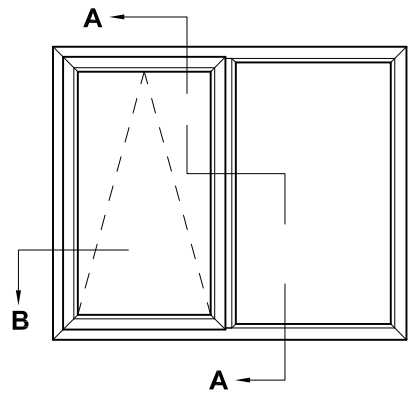
**KLIMA SERIES ALUCLIP
AWNING WINDOW, SASH OPEN OUT**

CROSS SECTION

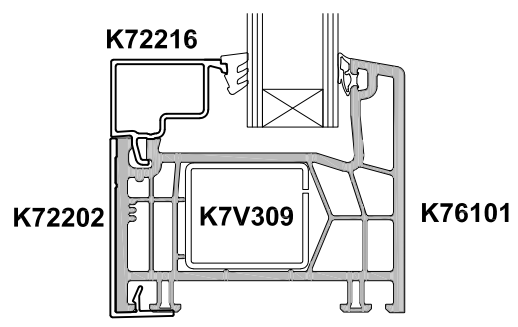
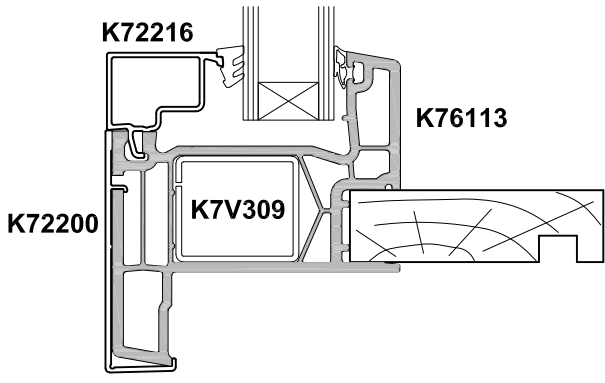
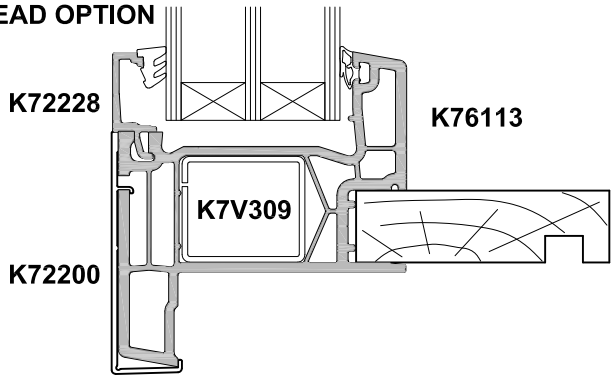
Date 01.06.20 Scale 1:2



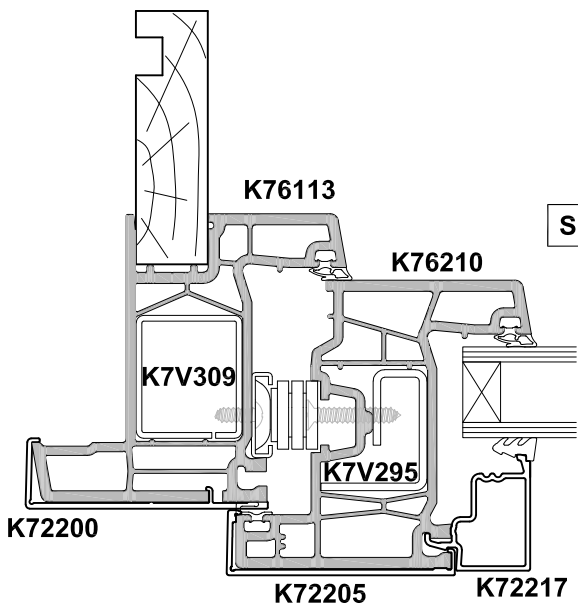
SECTION A-A



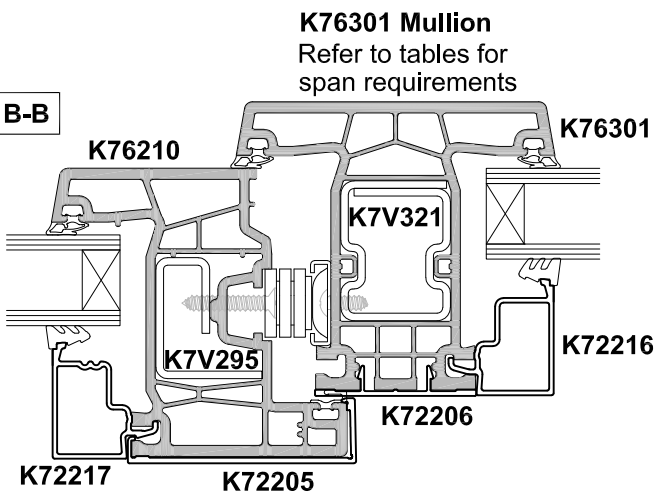
**TRIPLE GLAZING
BEAD OPTION**



CHAIR FRAME OPTION



SECTION B-B

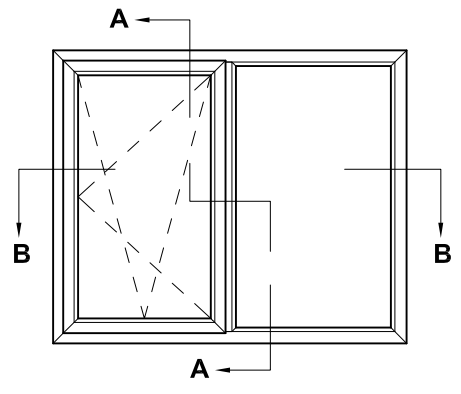
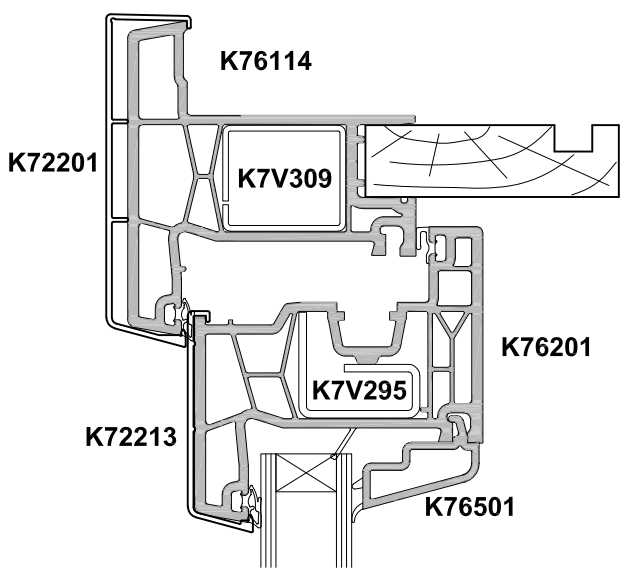


K76301 Mullion
Refer to tables for span requirements

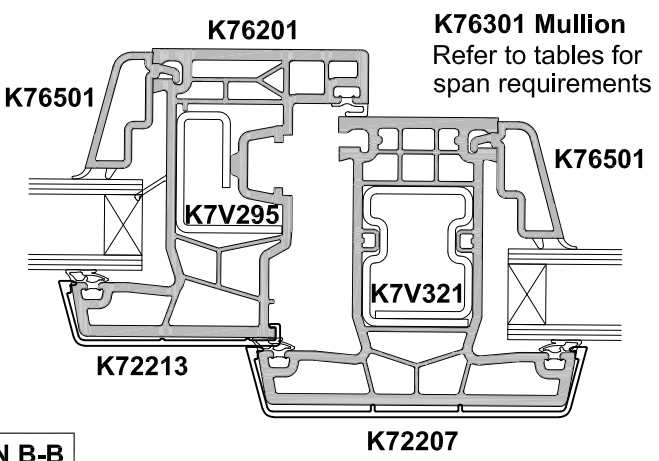
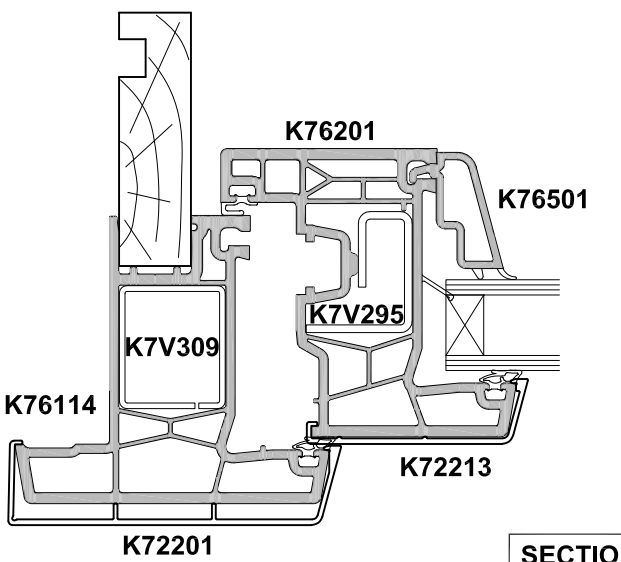
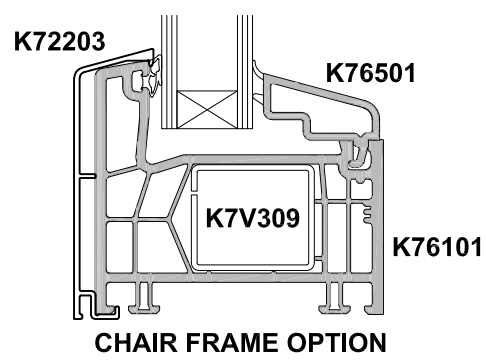
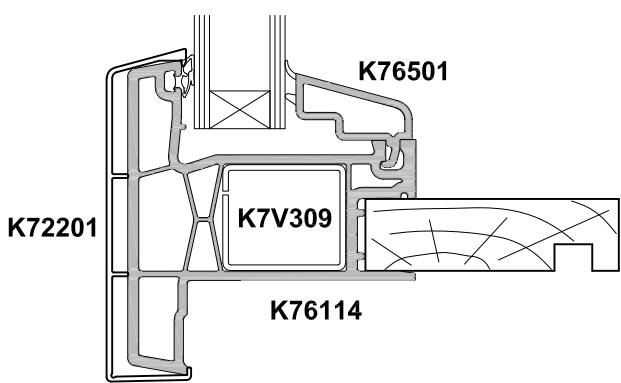
**KLIMA SERIES ALUCLIP
AWNING WINDOW, TILT AND TURN**

CROSS SECTION

Date 01.06.20 Scale 1:2



SECTION A-A

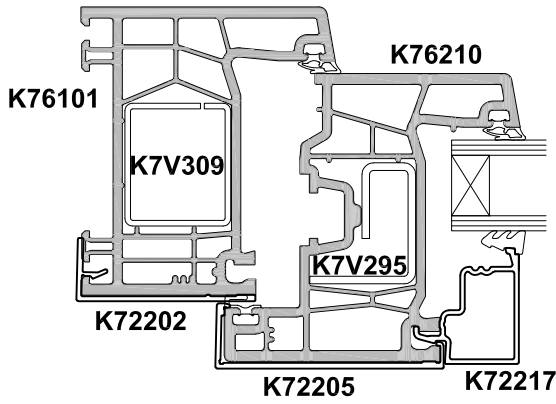


SECTION B-B

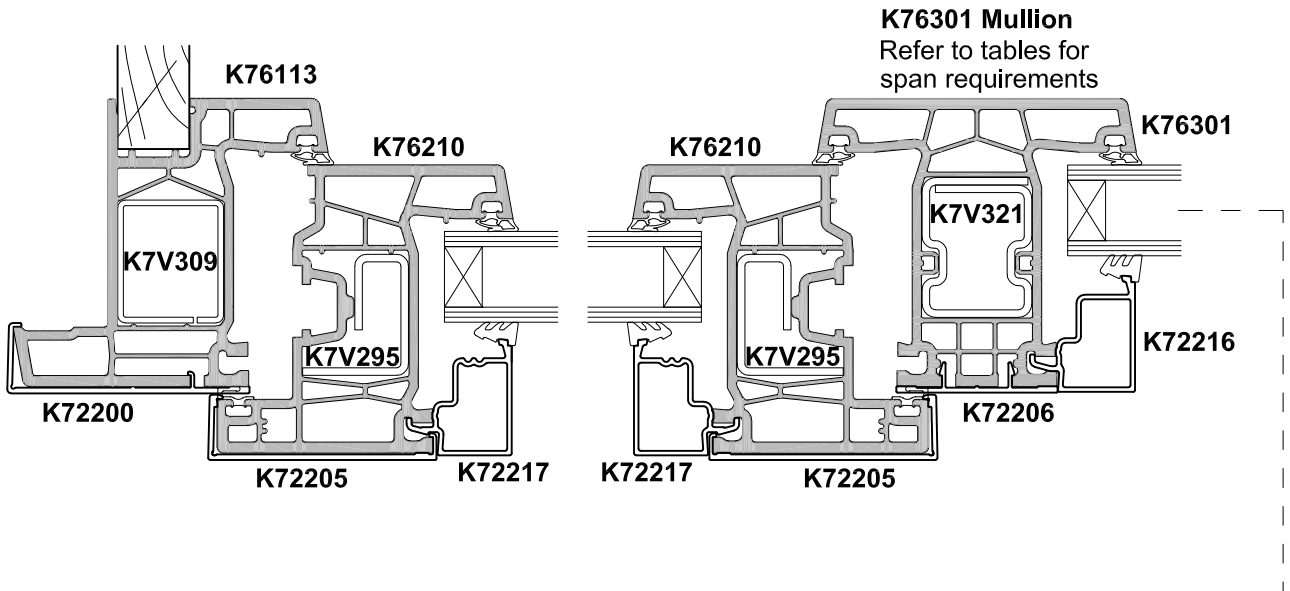
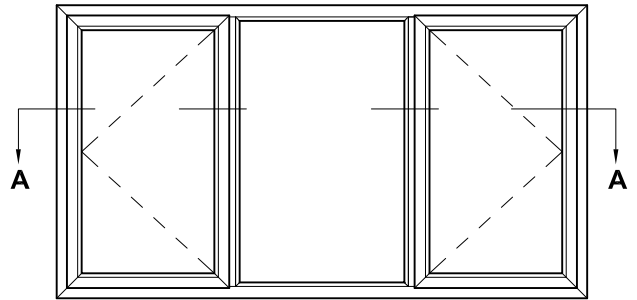
**KLIMA SERIES ALUCLIP, CASEMENT WINDOW
HORIZONTAL DETAILS, SASH OPEN OUT**

CROSS SECTION

Date 01.06.20 Scale 1:2



CHAIR FRAME OPTION



SECTION A-A

