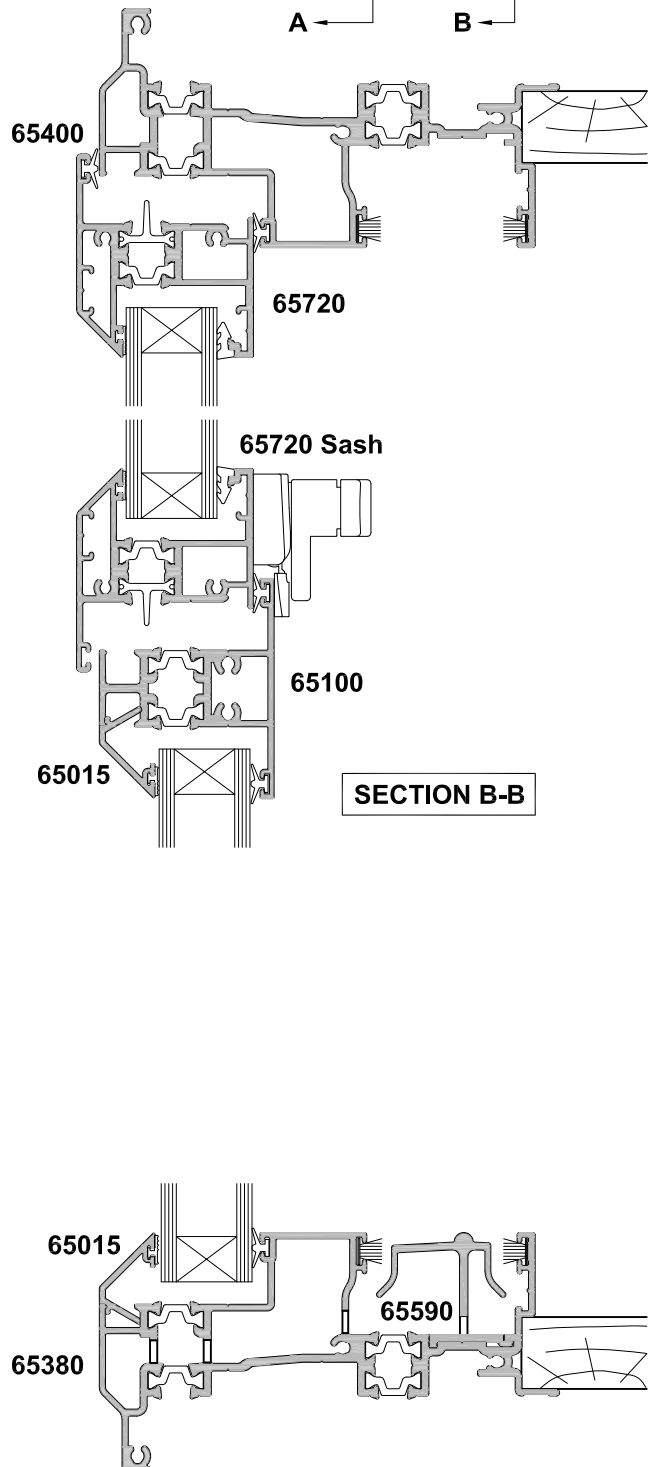
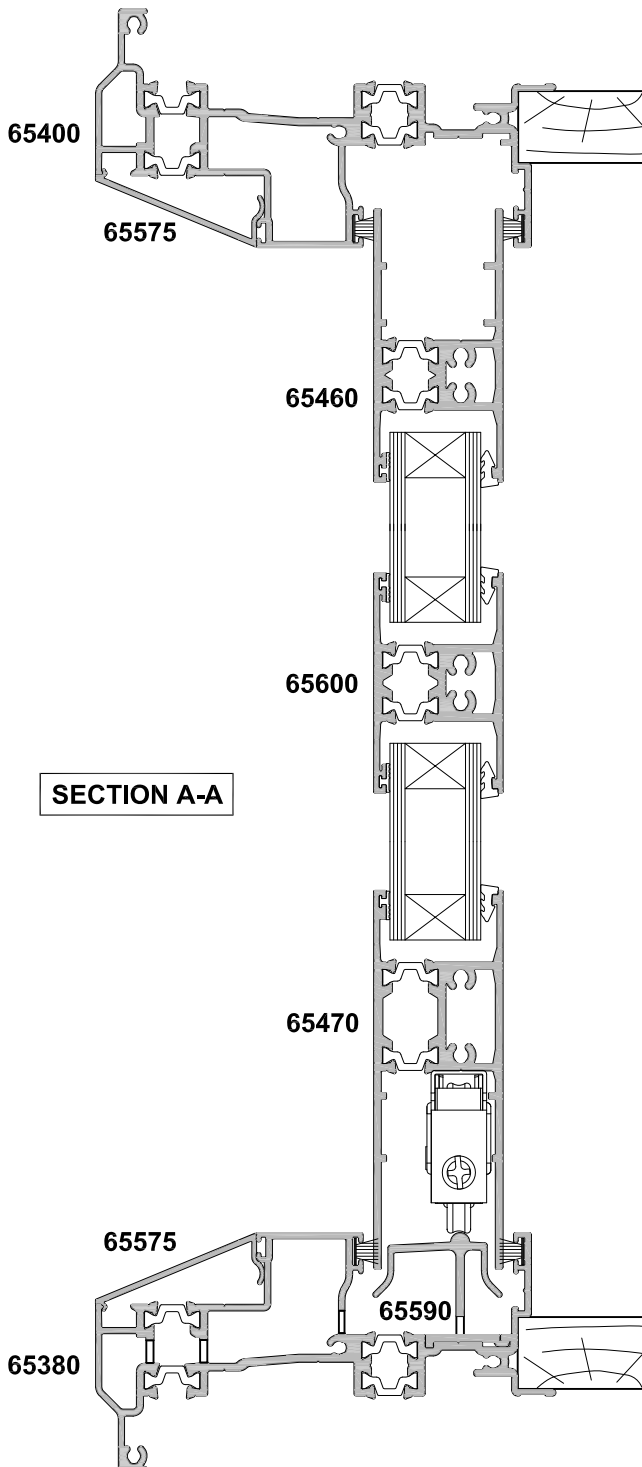
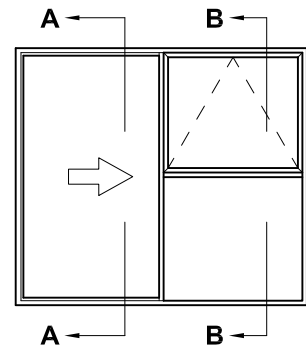


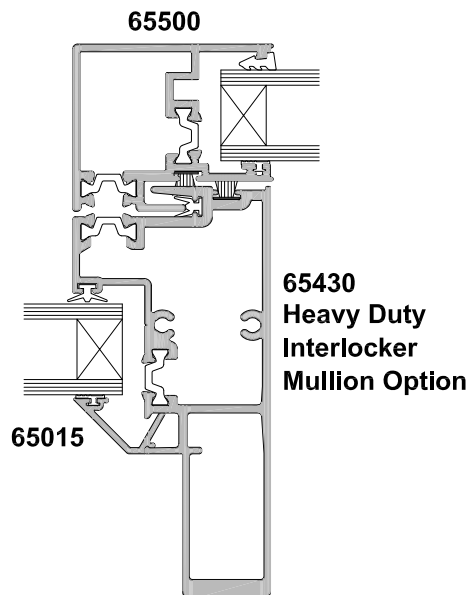
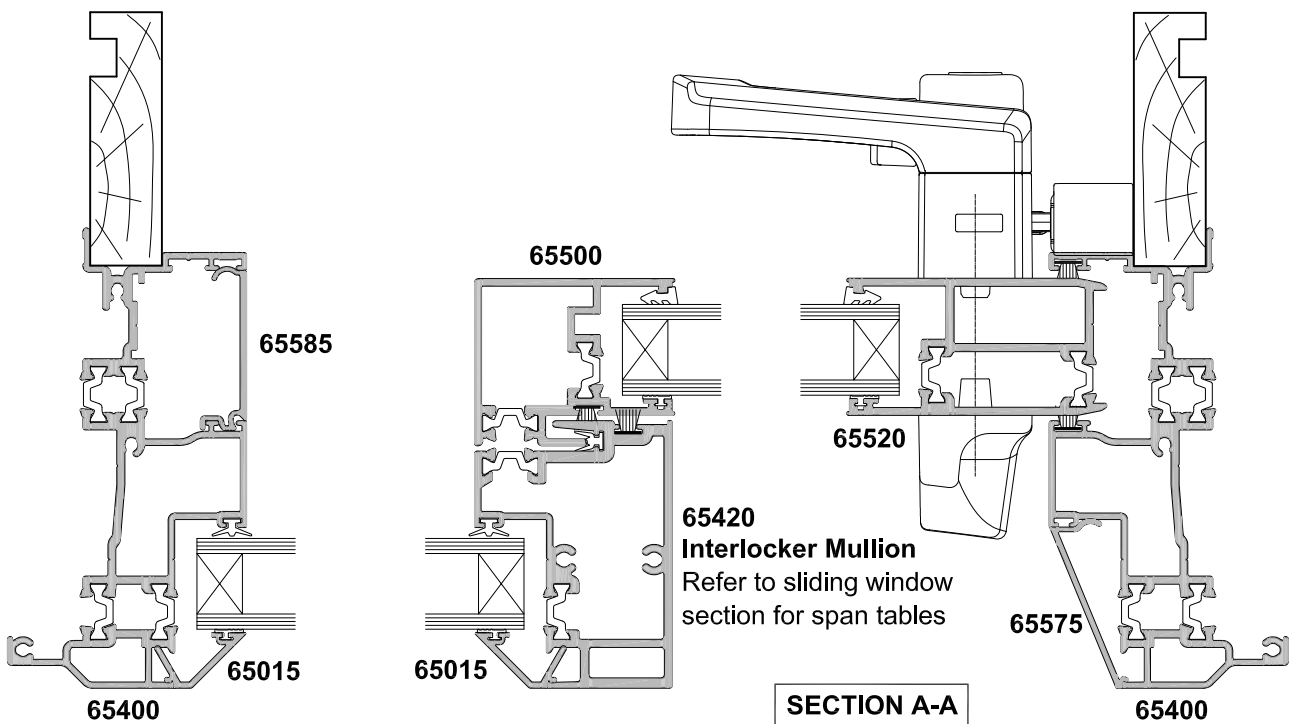
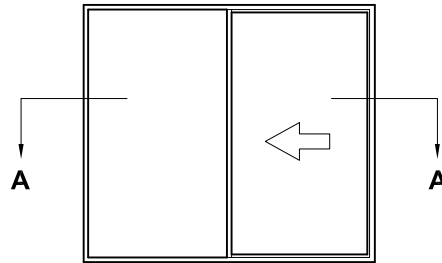
**FIRST THERMAL HEART
SLIDING DOOR
TWO PANEL FS
CROSS SECTION**

Date 26.01.18 Scale 1:2



CROSS SECTION

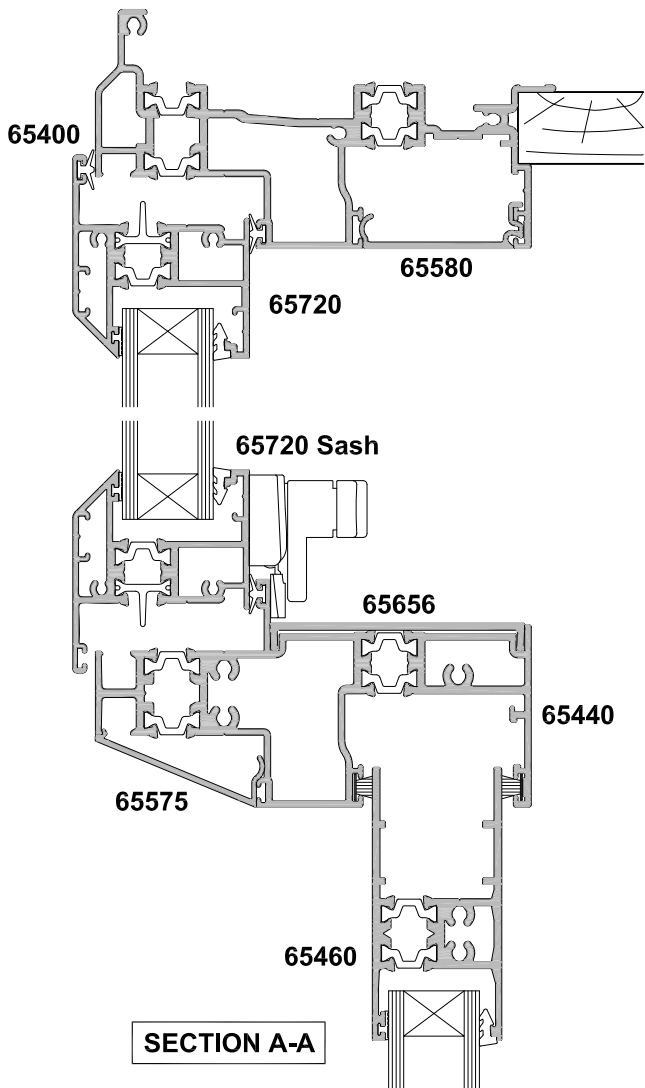
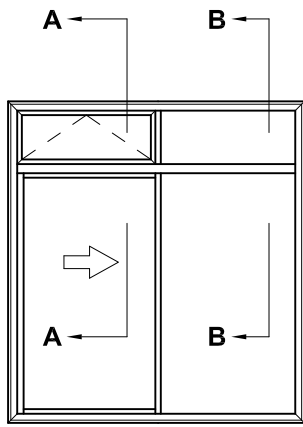
Date 30.01.18 Scale 1:2



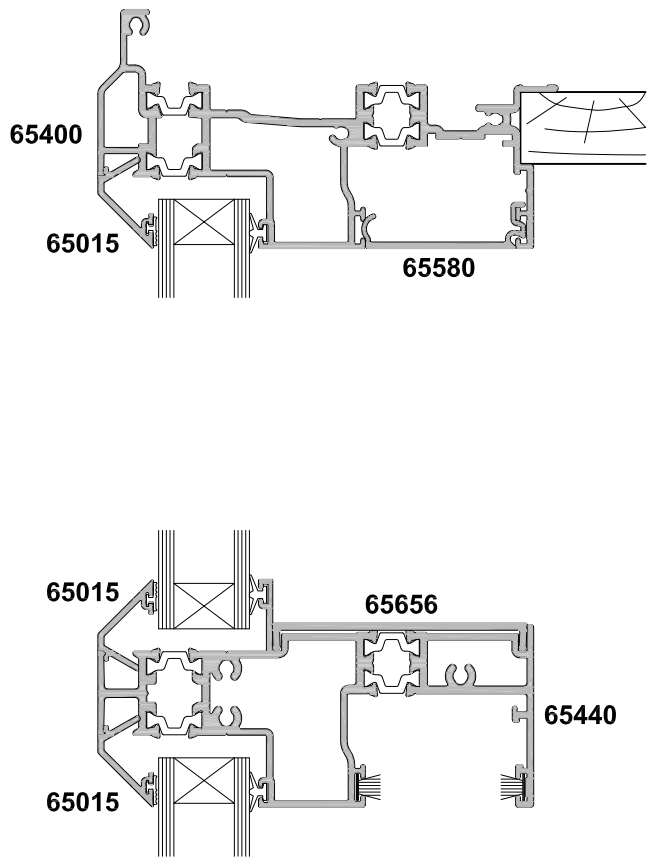
**FIRST THERMAL HEART
SLIDING DOOR
TWO PANEL FS WITH OVERLIGHT OPTION**

CROSS SECTION

Date 30.01.18 Scale 1:2



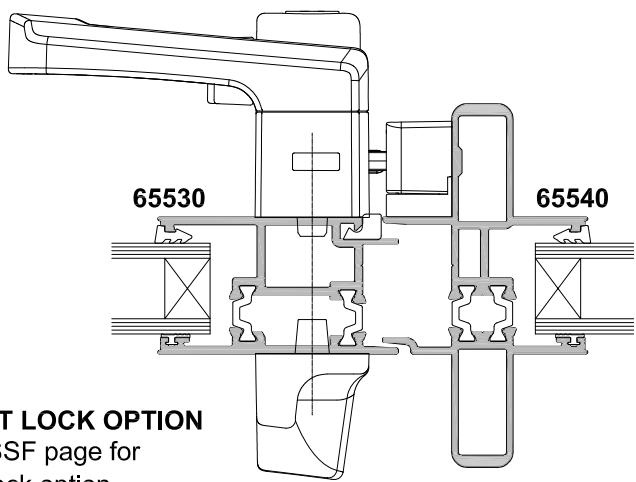
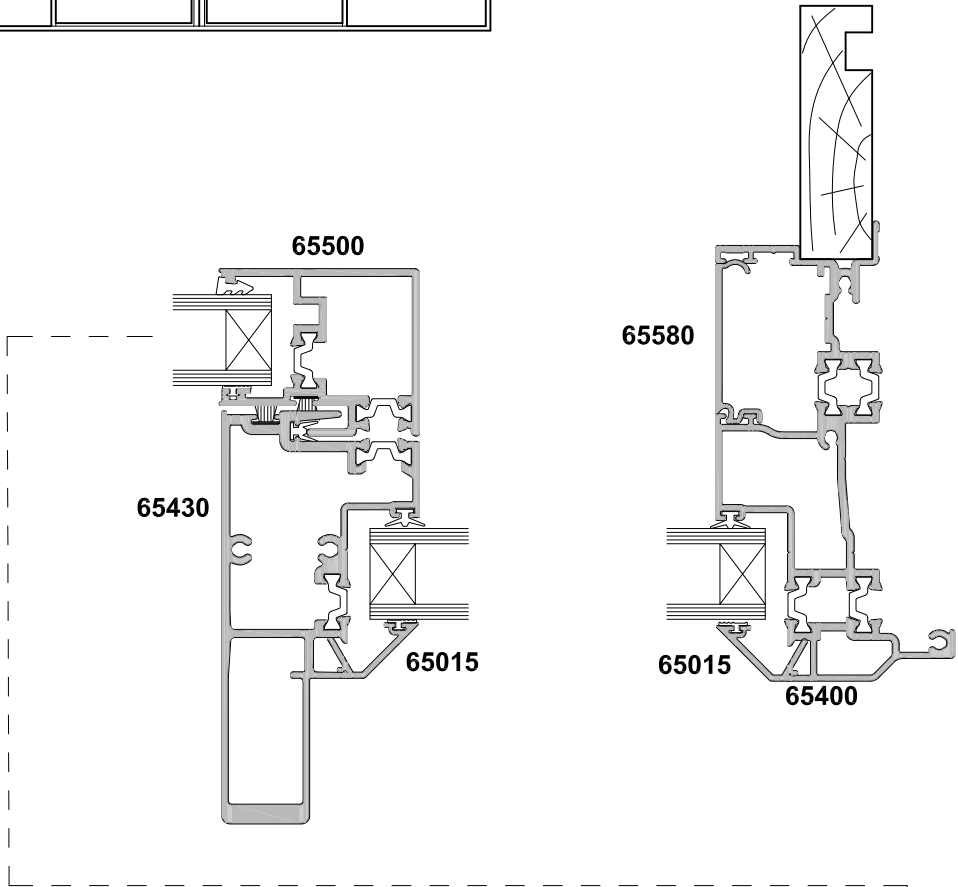
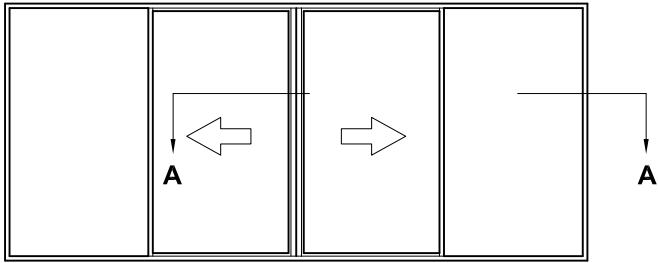
SECTION A-A



SECTION B-B

**FIRST THERMAL HEART
SLIDING DOOR
FOUR PANEL FSSF
CROSS SECTION**

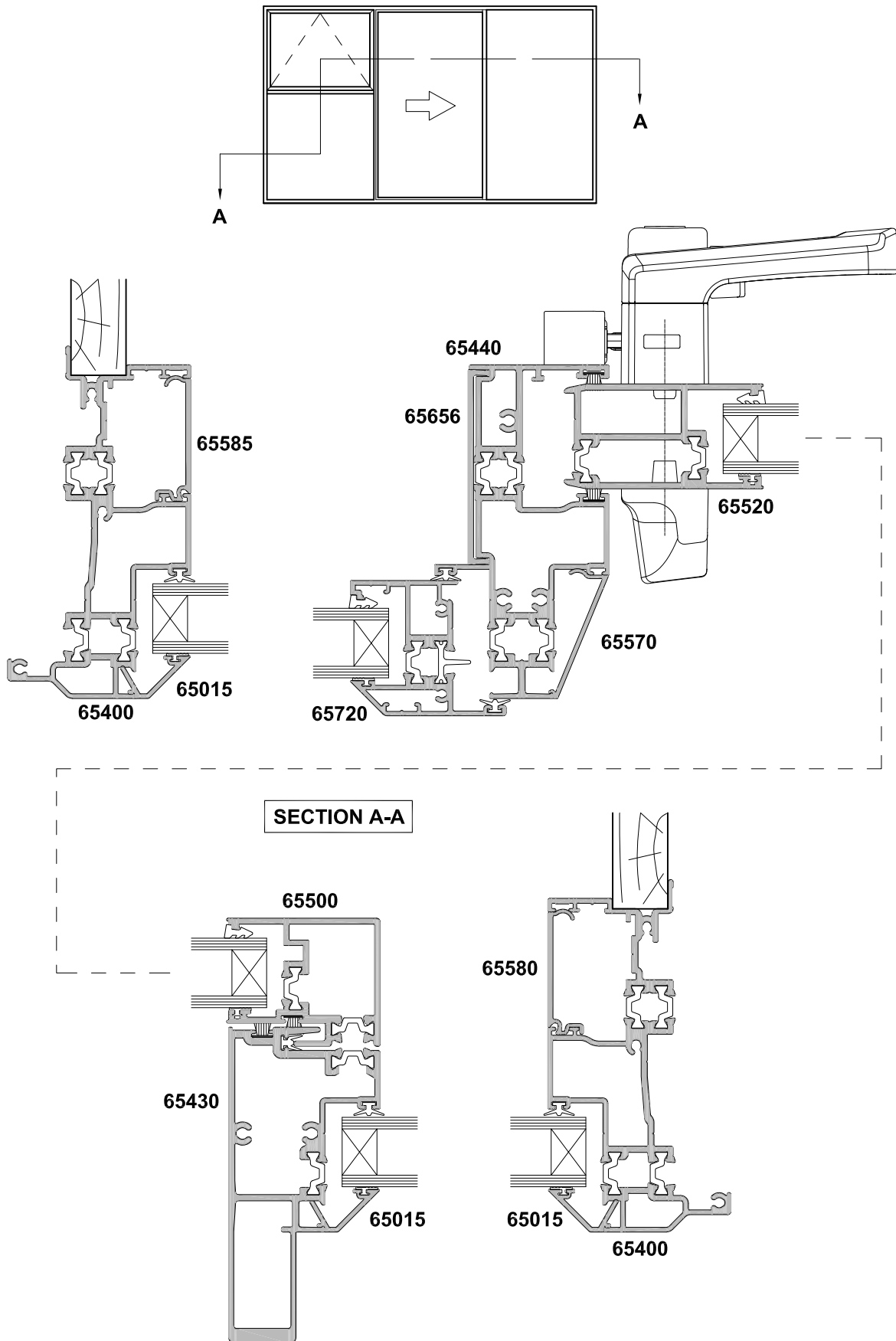
Date 30.01.18 Scale 1:2



SURFACE MOUNT LOCK OPTION
Refer to FSSSF page for
the Morticed lock option

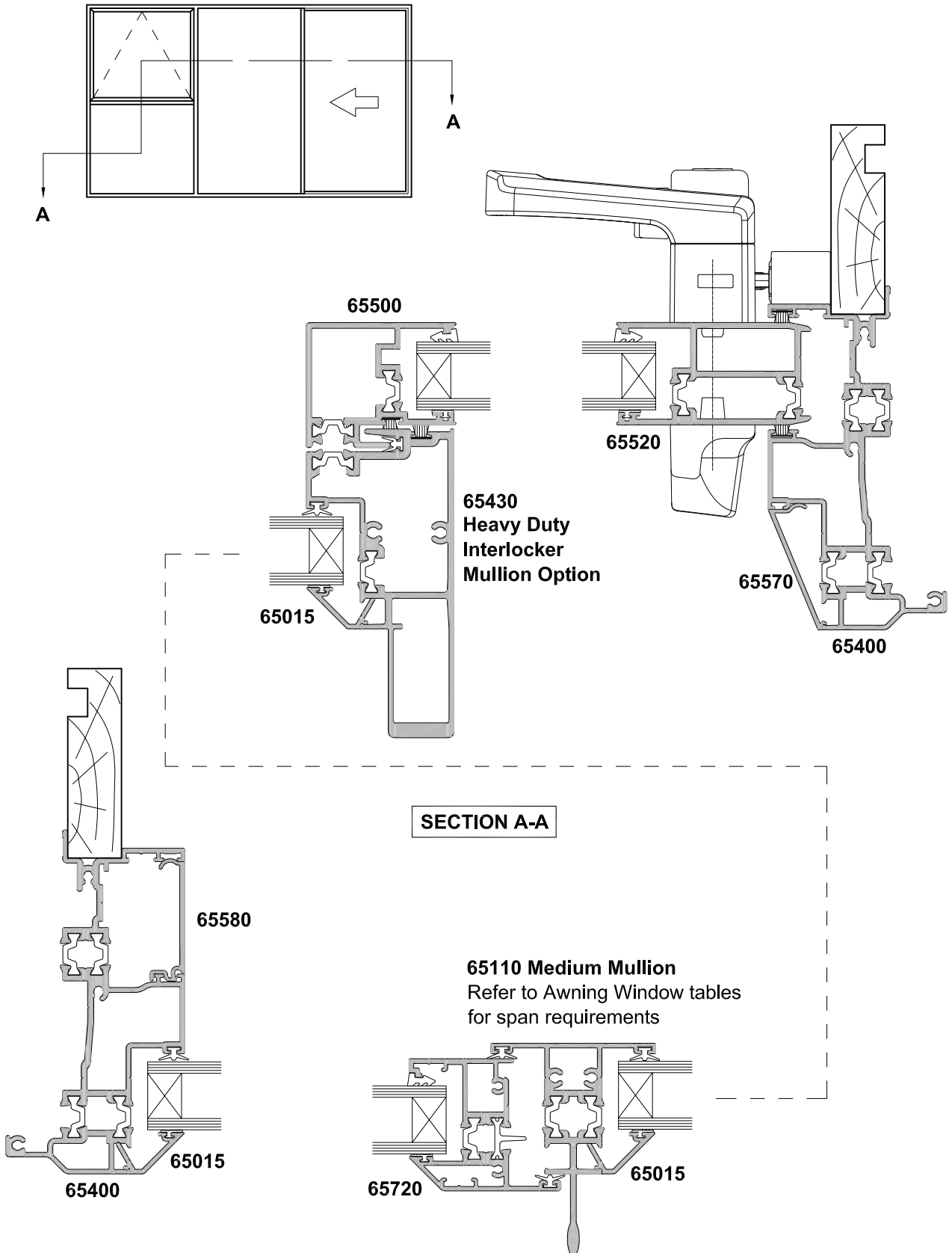
**FIRST THERMAL HEART
SLIDING DOOR
THREE PANEL FSF
CROSS SECTION**

Date 30.01.18 Scale 1:2



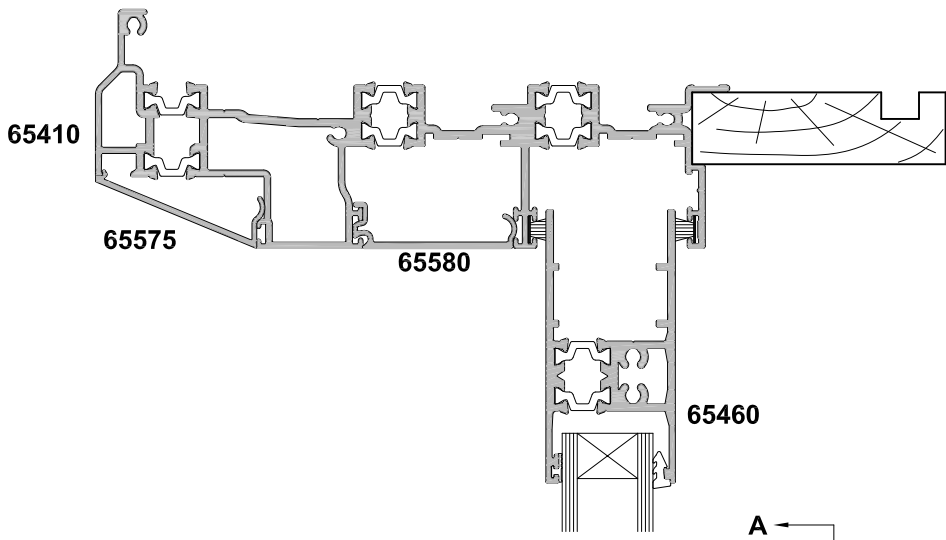
**FIRST THERMAL HEART
SLIDING DOOR
THREE PANEL FSF
CROSS SECTION**

Date 30.01.18 Scale 1:2

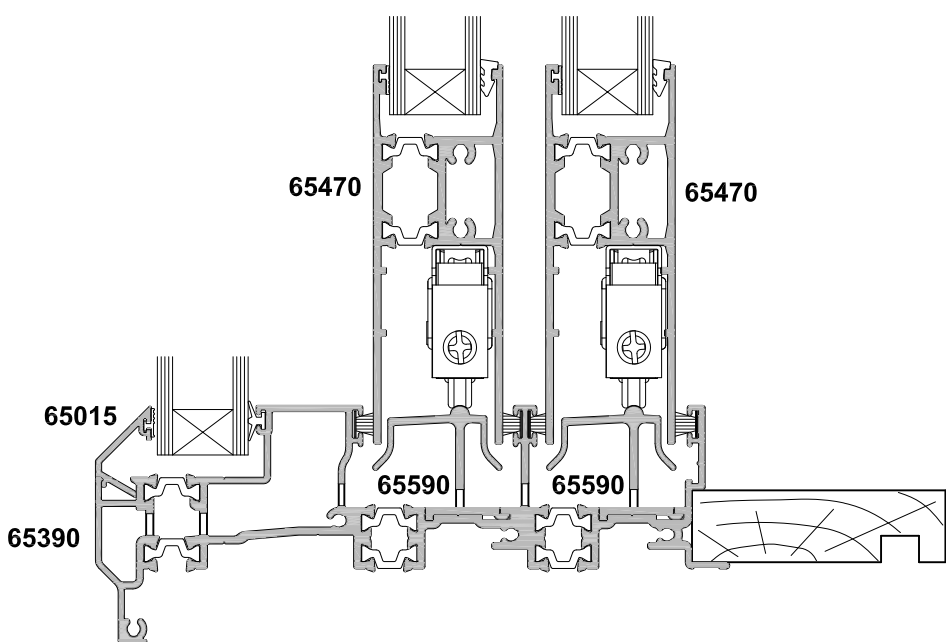
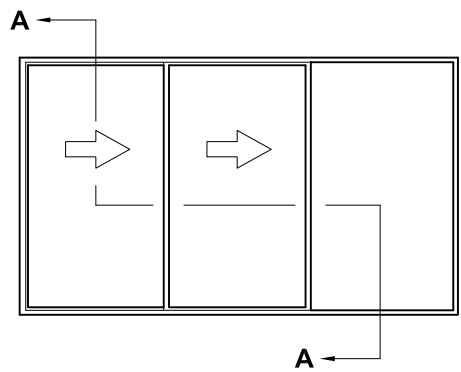


CROSS SECTION

Date 30.01.18 Scale 1:2



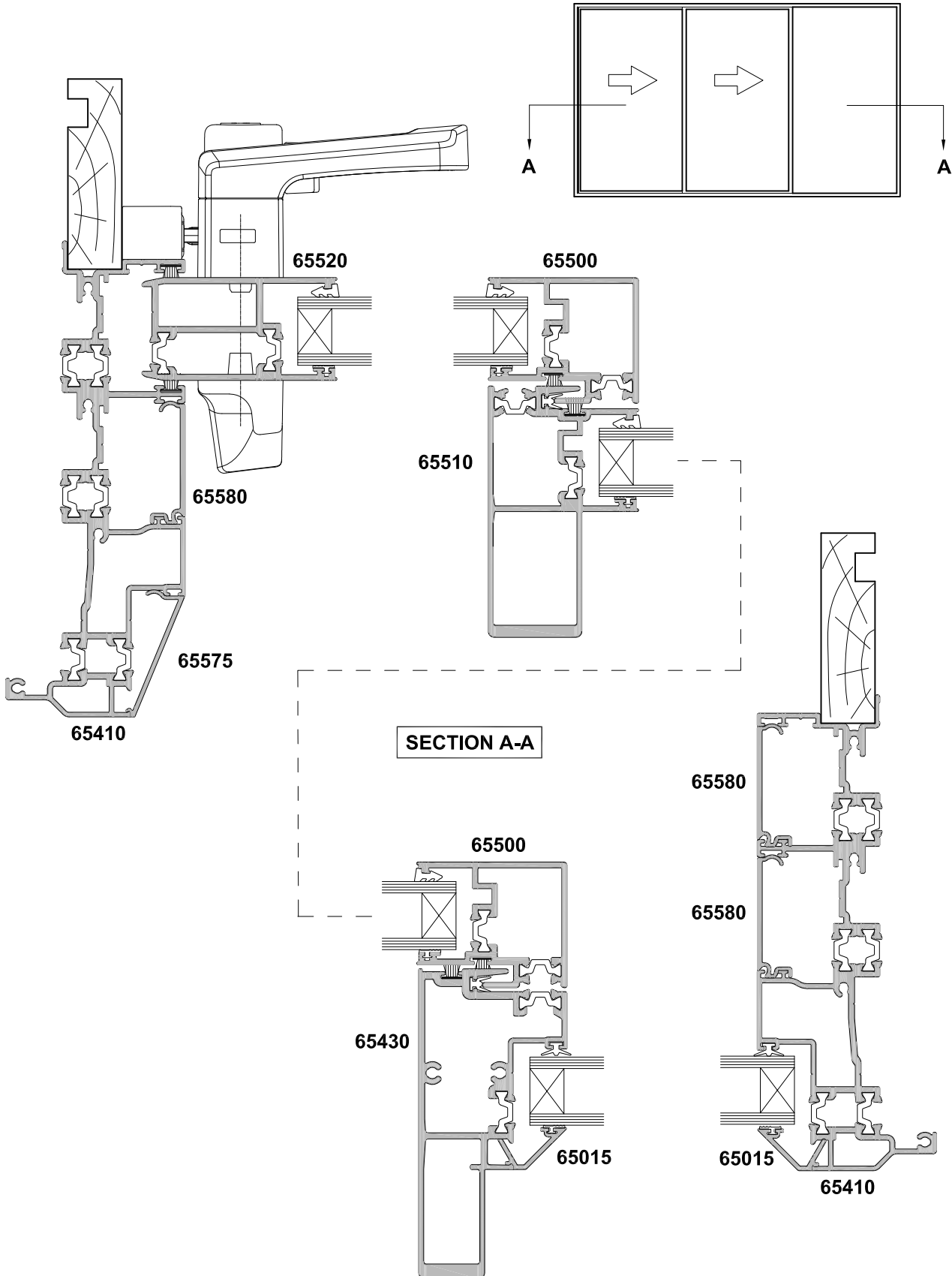
SECTION A-A



**FIRST THERMAL HEART
SLIDING DOOR
THREE PANEL SSF**

CROSS SECTION

Date 30.01.18 Scale 1:2



**FIRST THERMAL HEART
SLIDING DOOR
SIX PANEL FSSSF
CROSS SECTION**

Date 30.01.18 Scale 1:2

