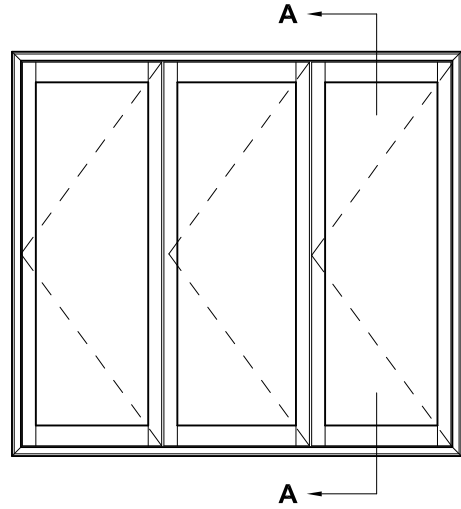
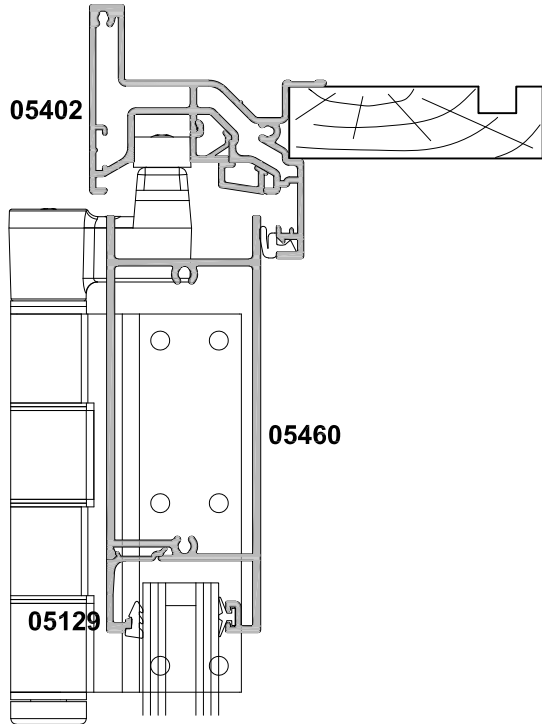


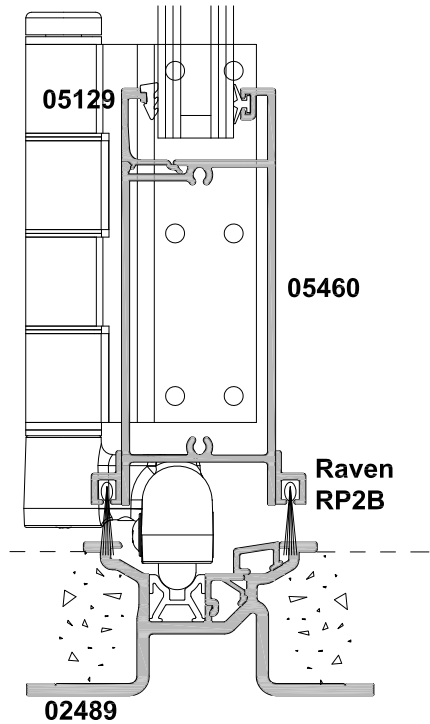
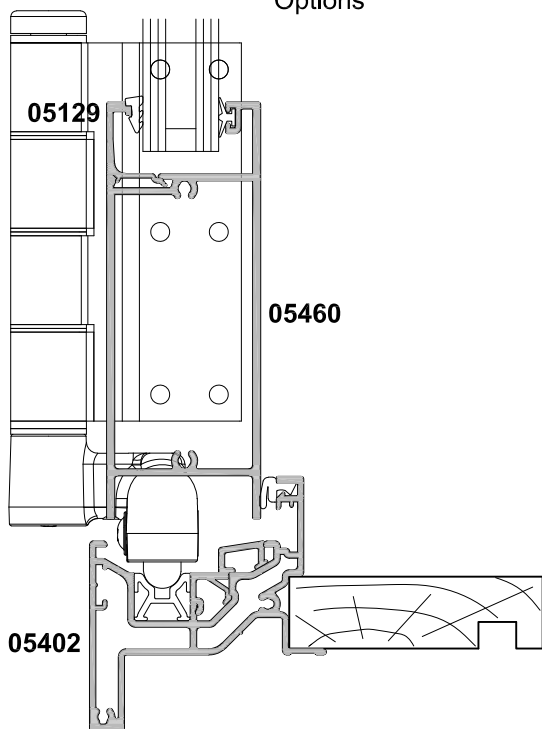
BI-FOLD DOORS
OPEN OUT VERTICAL SECTIONAL DETAILS
CROSS SECTION

Date 01.04.19 Scale 1:2



SECTION A-A

Refer to Hinge Door
Section for Vision Rail
Options



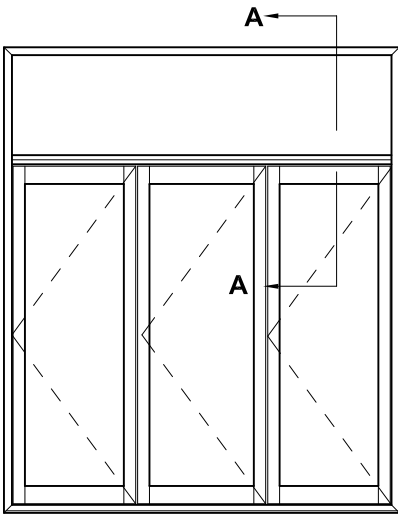
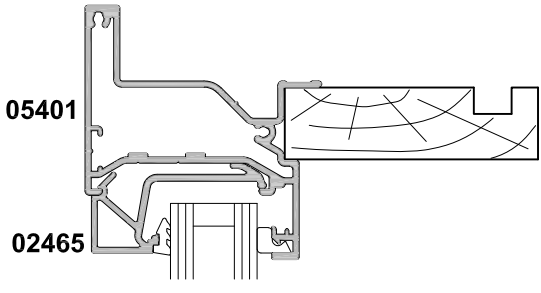
REBATED SILL TRACK OPTION
(FOR SHELTERED LOCATIONS ONLY)

Note - Pay particular attention
to the drainage of the track.

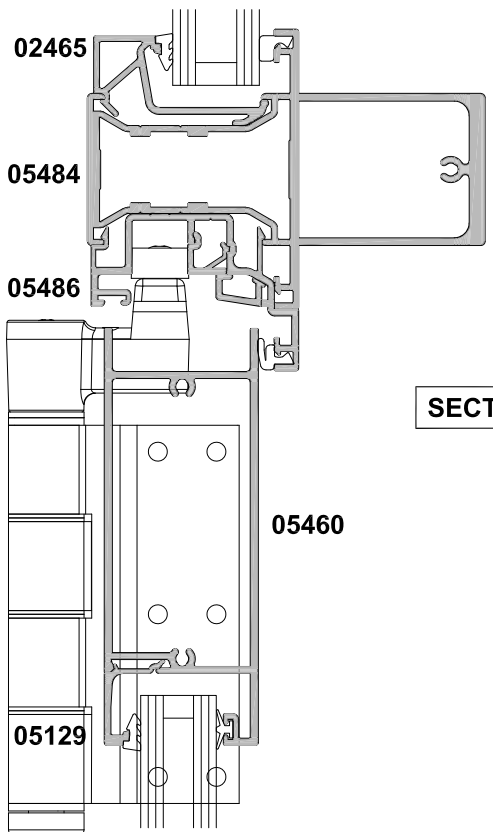
**BI-FOLD DOOR OVERLIGHT TRANSOM AND
OVERLIGHT COUPLING BAR**

CROSS SECTION

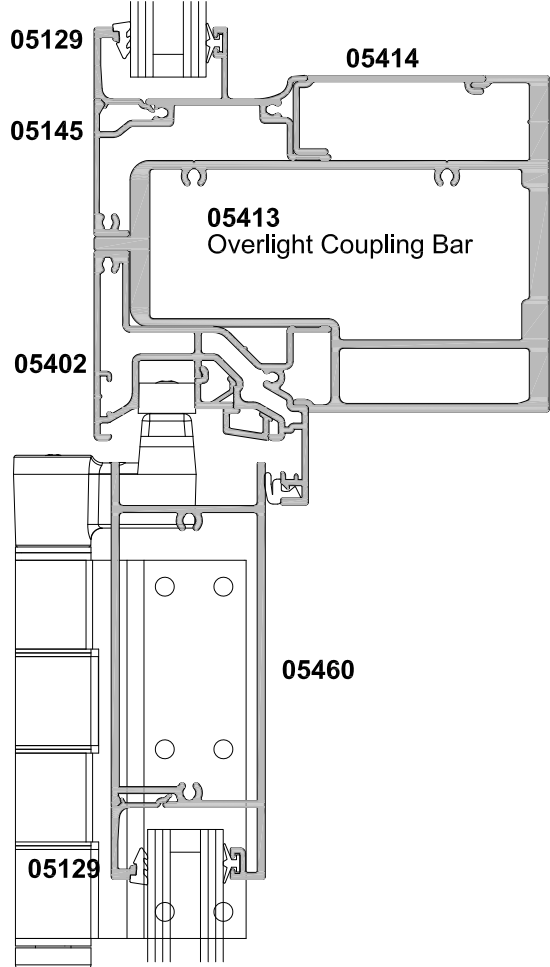
Date 01.04.19 Scale 1:2



Refer to Hinged Door section for Awning Sash options



SECTION A-A

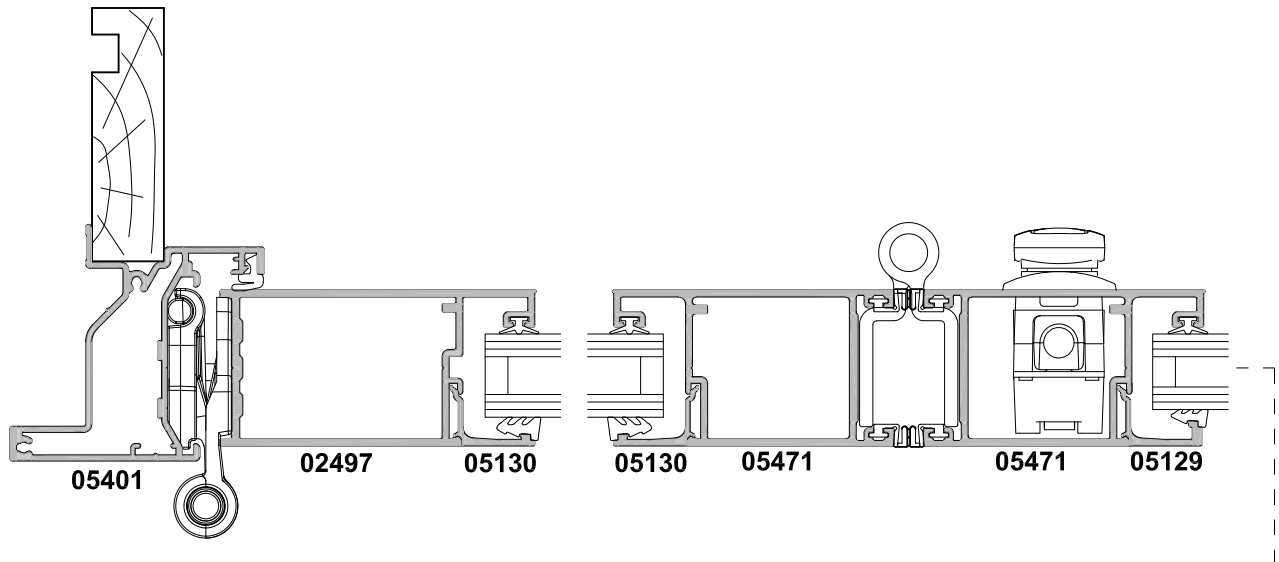
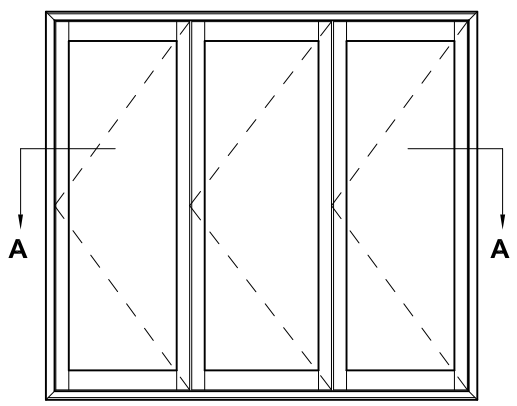


OVERLIGHT TRANSOM OPTION

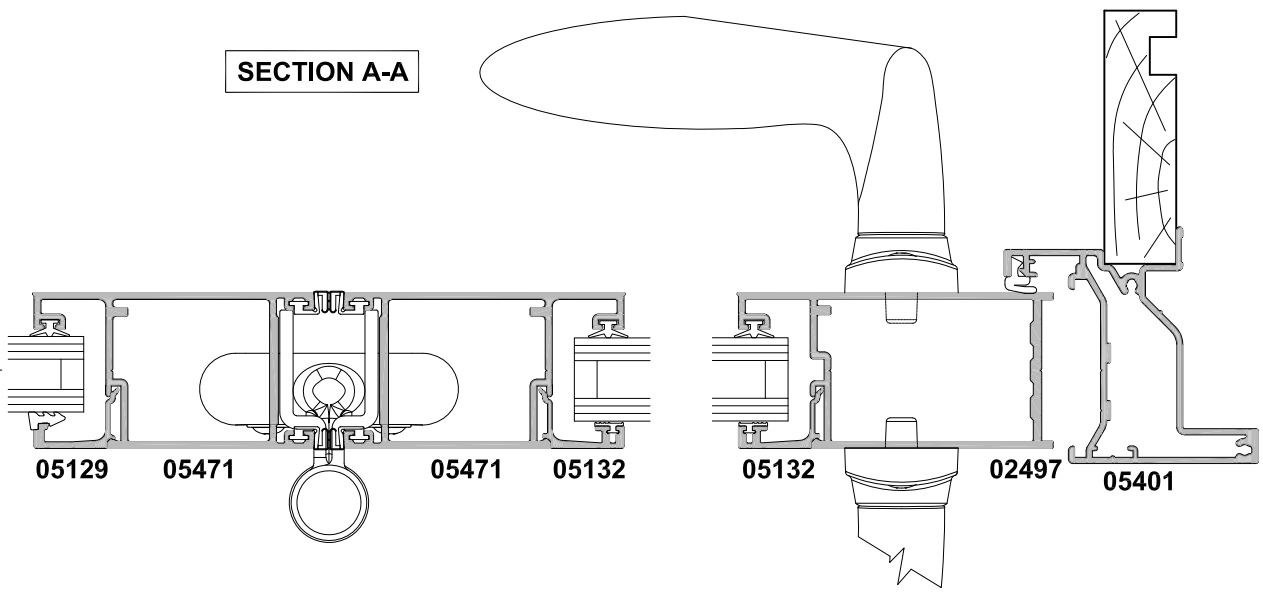
HEAVY DUTY COUPLING BAR OPTION

**BI-FOLD DOOR THREE PANEL
OPEN OUT DOOR SHOWING PANEL GLAZING OPTIONS
CROSS SECTION**

Date 01.04.19 Scale 1:2



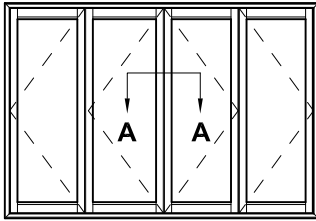
SECTION A-A



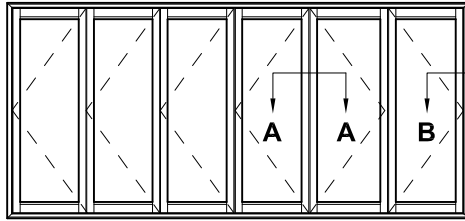
BI-FOLD DOOR MEETING STILES

CROSS SECTION

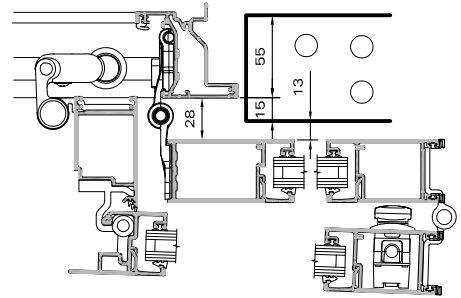
Date 01.04.19 Scale 1:2



2 + 2 Panel

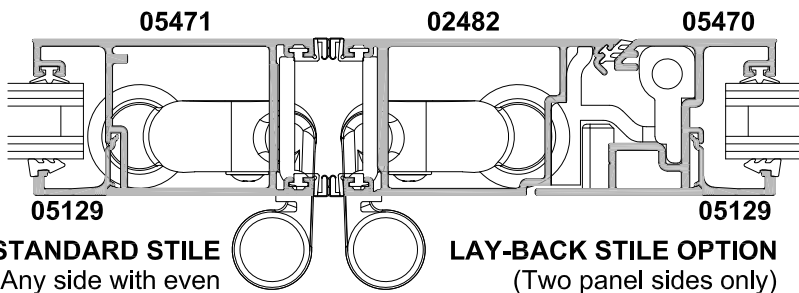


2 + 4 Panel



SECTION B-B

Not To Scale



STANDARD STILE
(Any side with even number of panels)

LAY-BACK STILE OPTION
(Two panel sides only)

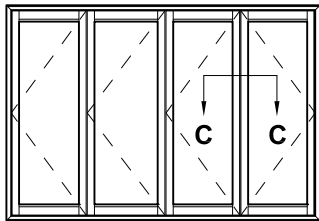
SECTION A-A

Lay-Back Installation Restrictions

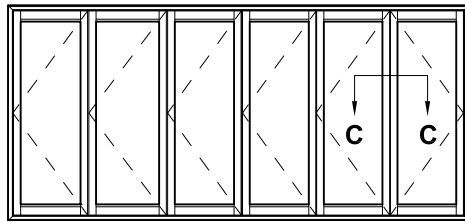
When the Lay-Back panels are opened fully they sit 28mm off the front face of the frame. For the vast majority of cladding options, this will not be an issue, but in the following options it will be:

- Brick Veneer
- Recessed EIFS (plaster clad Poly)
- Concrete Block
- Precast Concrete Panel

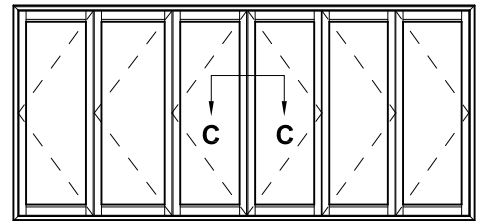
In these Claddings the frame will need to be installed with the facings over the face of the cladding, or recessed no more than 15mm as shown (to provide a minimum 13mm clearance when open).



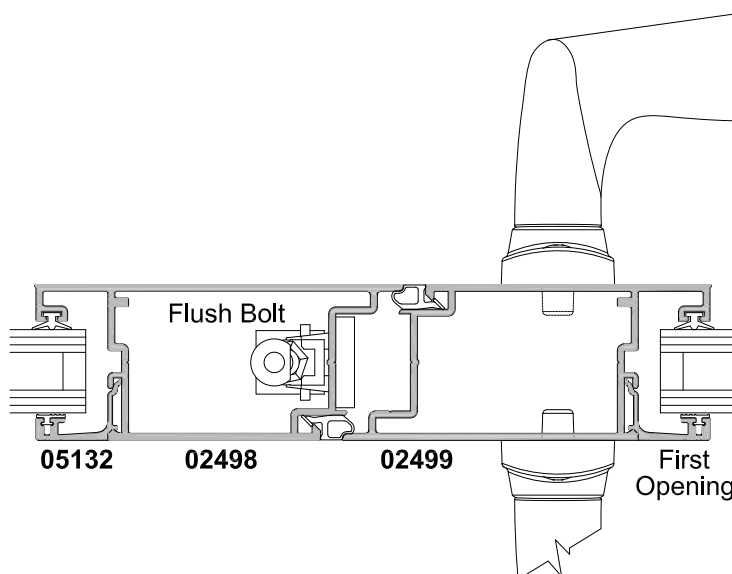
3 + 1 Panel



5 + 1 Panel



3 + 3 Panel

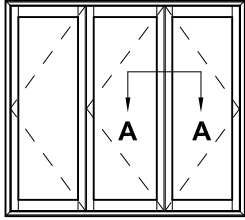


SECTION C-C

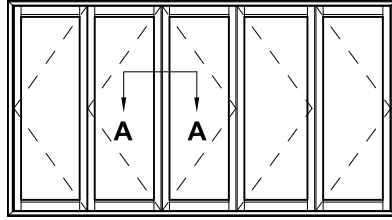
BI-FOLD MEETING STILES

CROSS SECTION

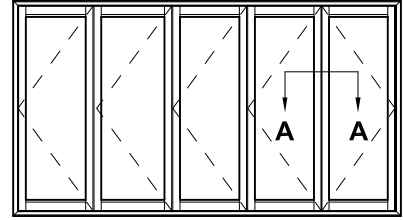
Date 01.04.19 Scale 1:2



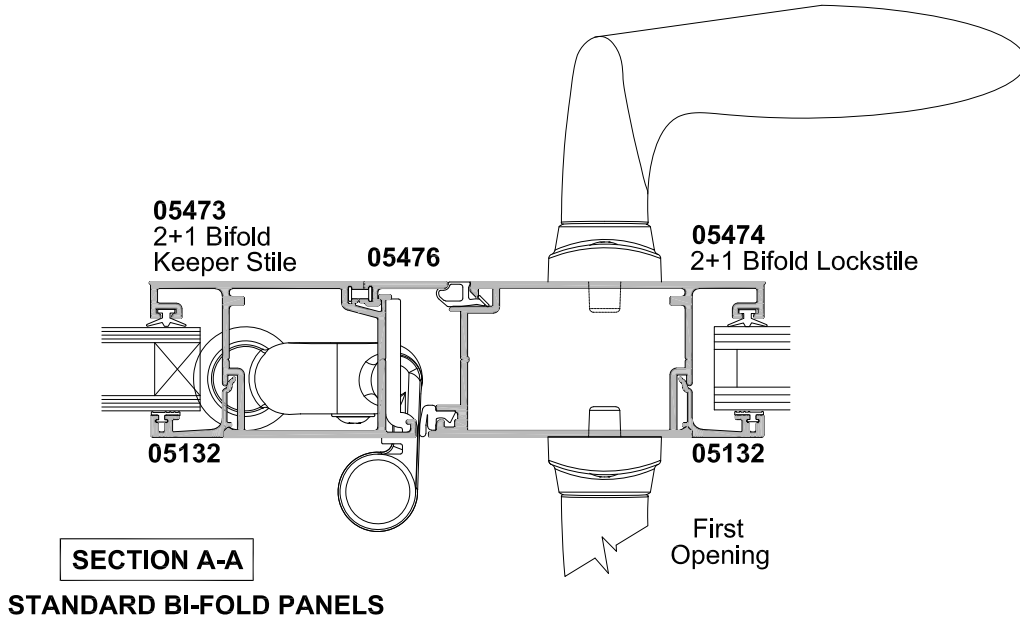
2 + 1 Panel



2 + 3 Panel

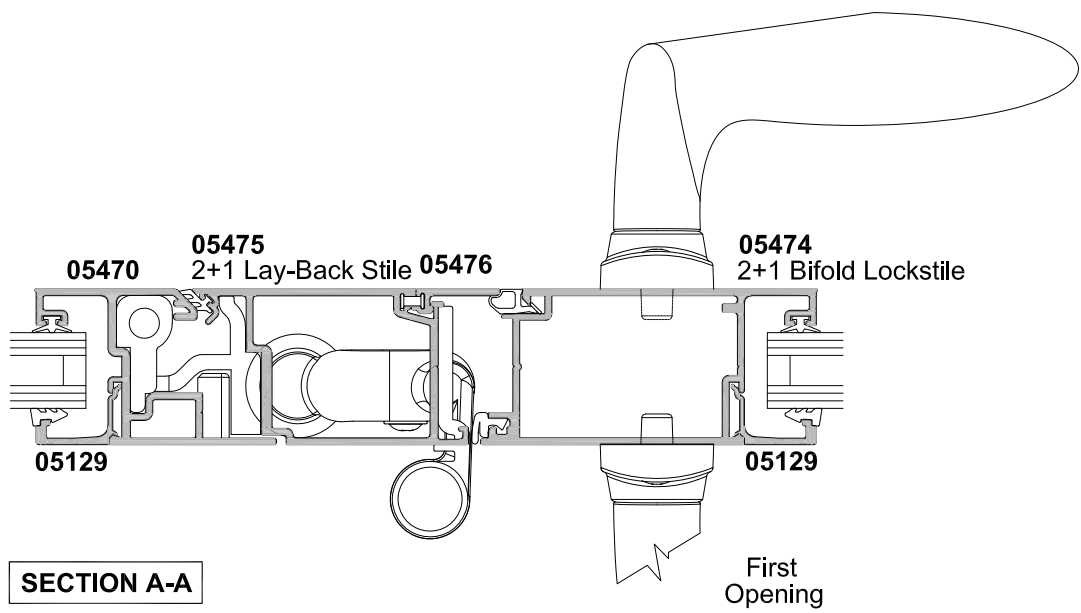


4 + 1 Panel



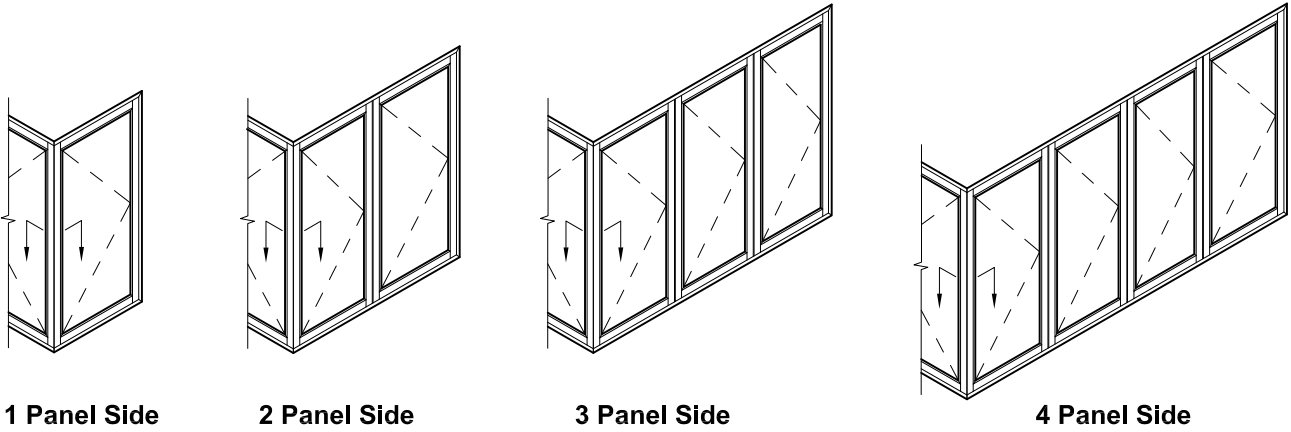
SECTION A-A

STANDARD BI-FOLD PANELS



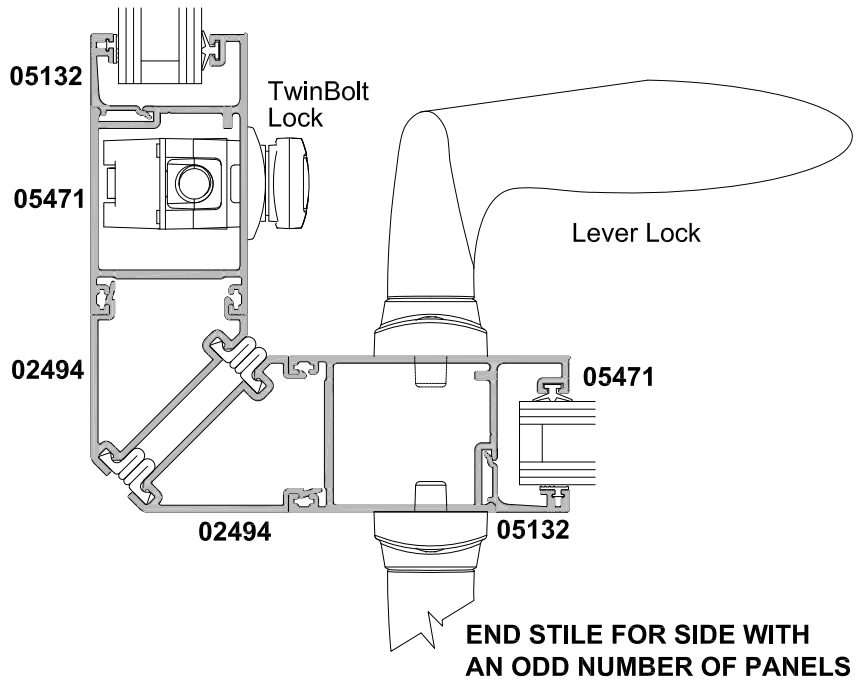
SECTION A-A

LAY-BACK BI-FOLD PANELS
(Lay-Back Function on Two panel sides only)

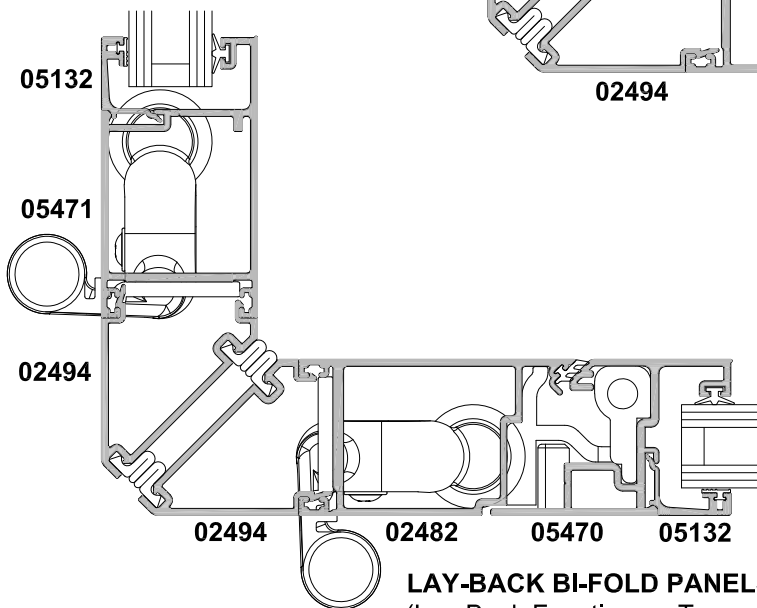


Panel numbers either side of the 90° corner can be arranged to suit most configurations, with the exception being Lay-Back Panels which can only be on a two panel side. Internal corner units are not possible.

END STILE FOR SIDE WITH AN ODD NUMBER OF PANELS



END STILE FOR SIDE WITH AN EVEN NUMBER OF PANELS



LAY-BACK BI-FOLD PANELS
(Lay-Back Function on Two panel sides only)