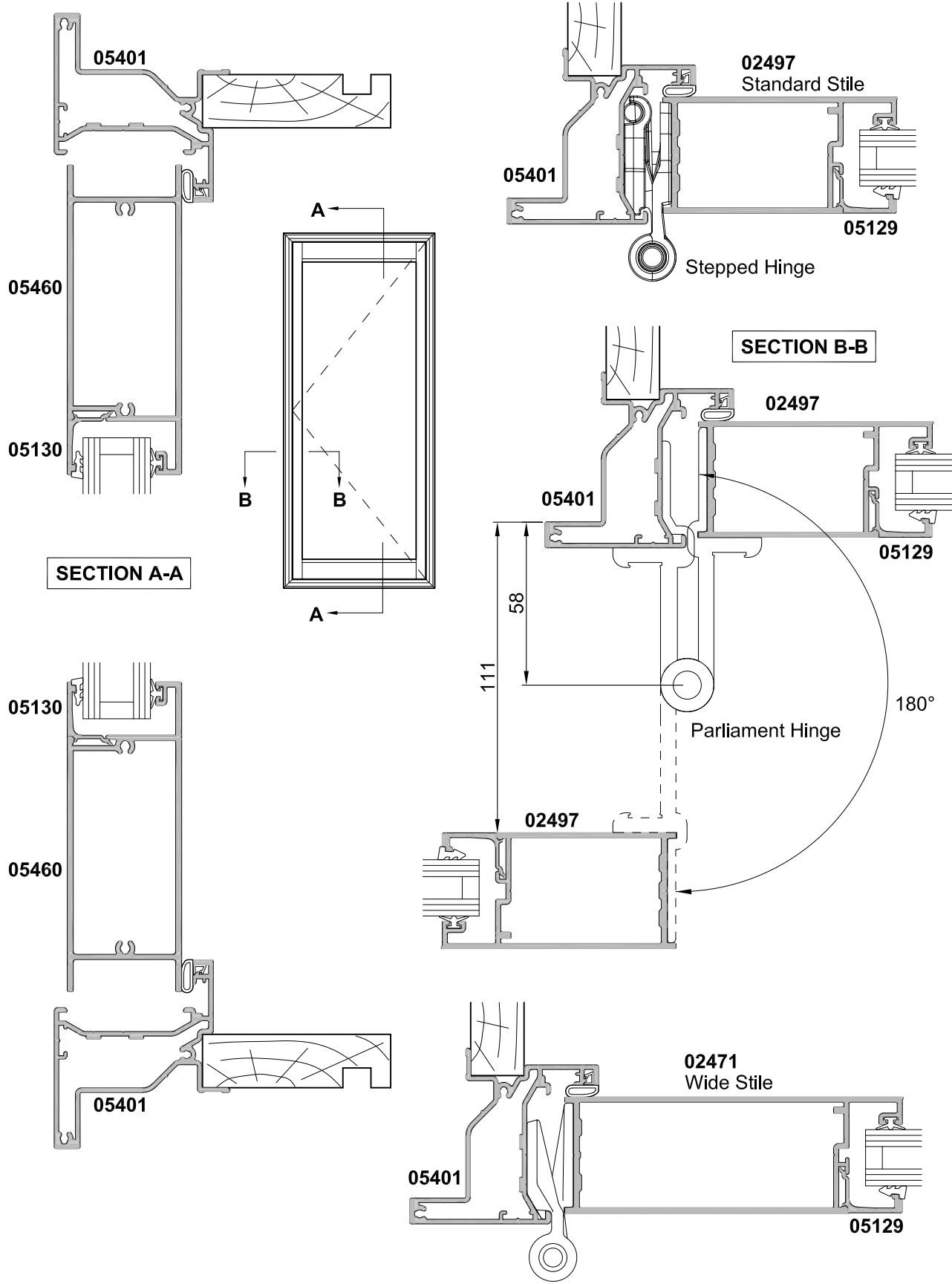


**HINGED DOOR, OPEN OUT STEPPED  
AND PARLIAMENT HINGE  
CROSS SECTION**

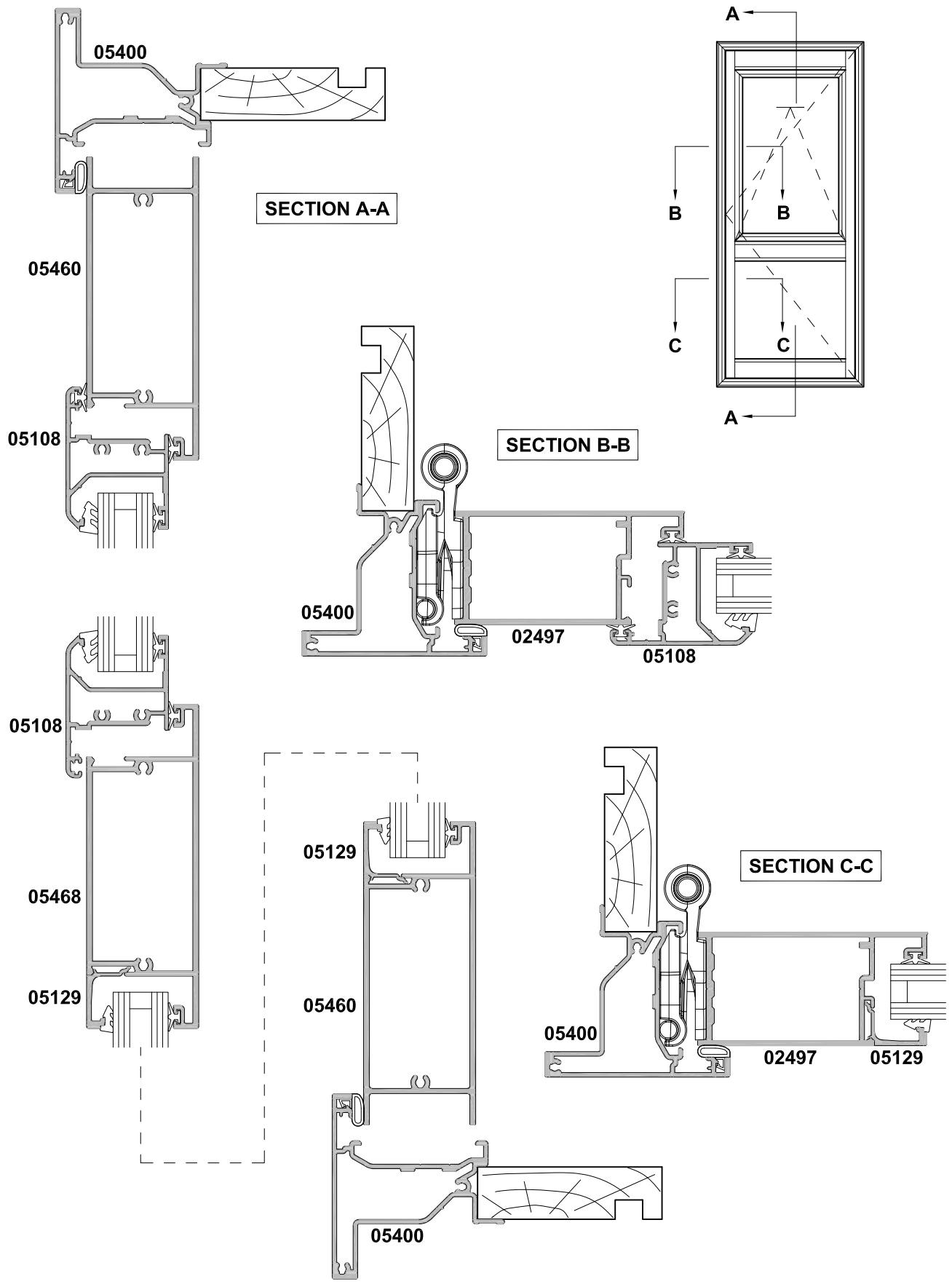
Date 01.04.19 Scale 1:2



**HINGED DOOR, OPEN IN WITH SASH**

**CROSS SECTION**

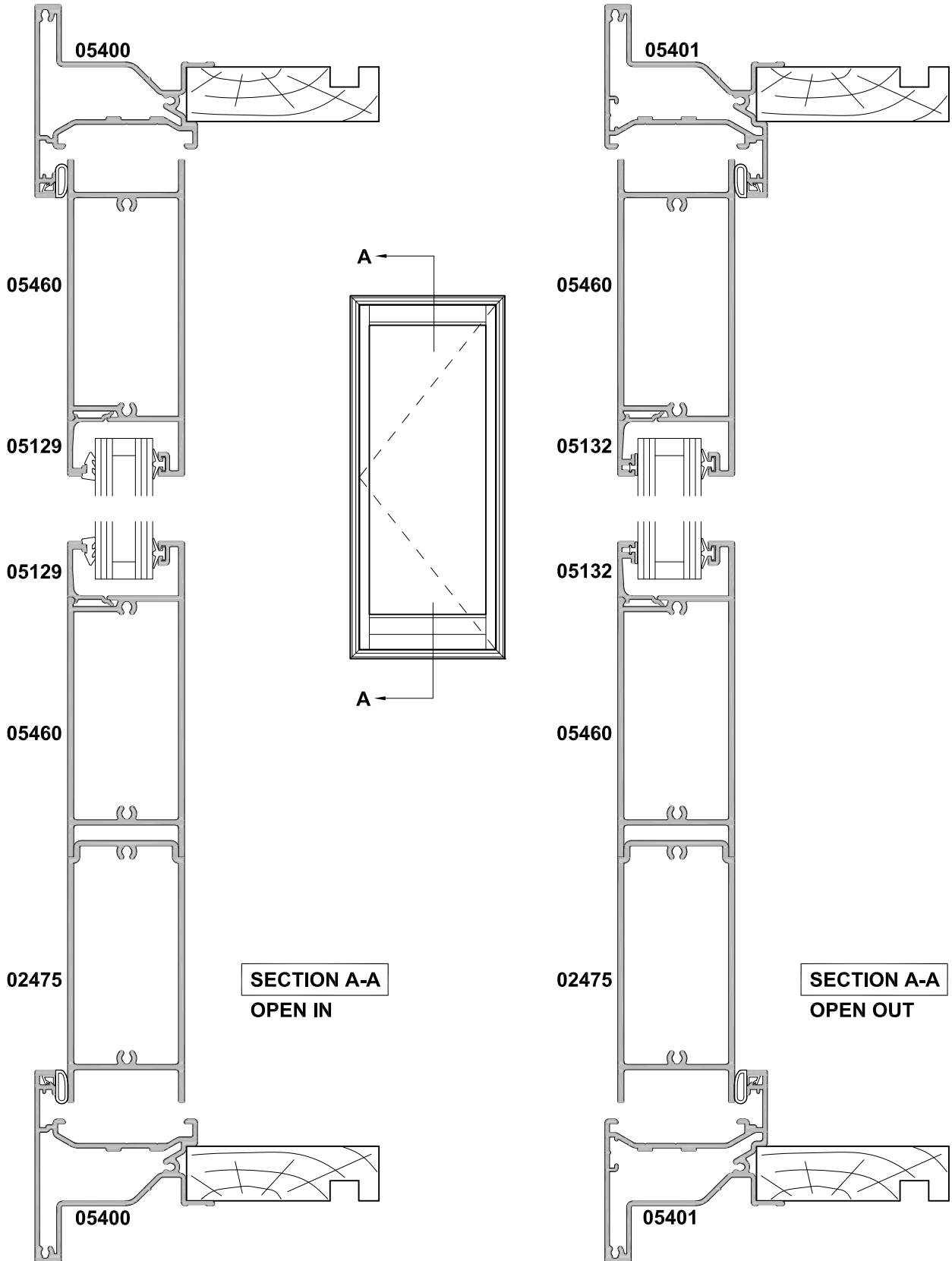
Date 01.04.19 Scale 1:2



**HINGED DOOR, OPEN IN AND OUT  
WITH BOTTOM RAIL EXTENDER**

**CROSS SECTION**

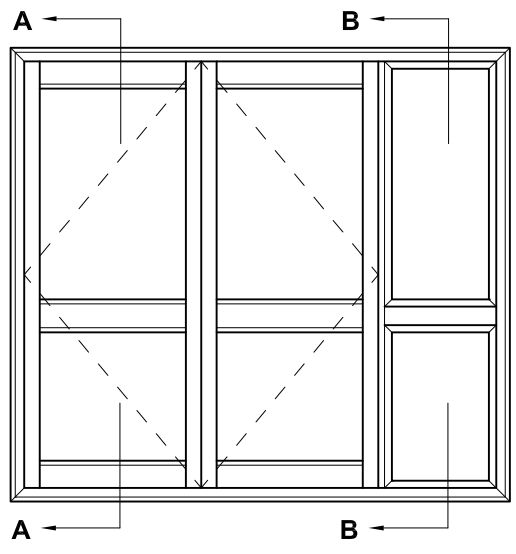
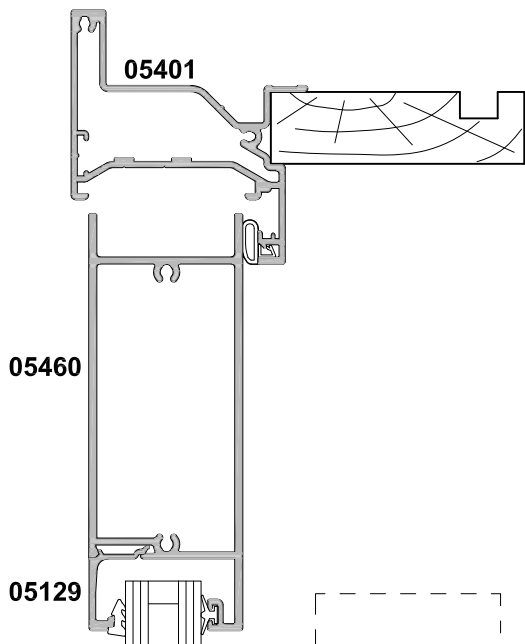
Date 01.04.19 Scale 1:2



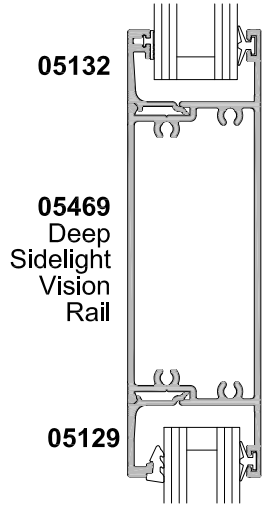
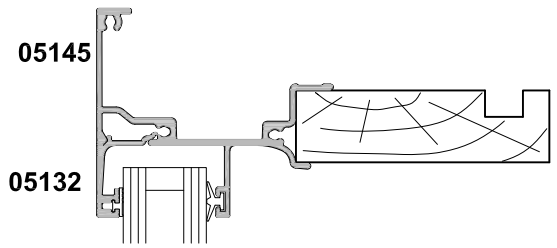
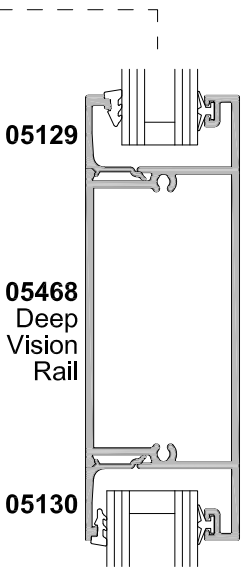
**FRENCH DOOR, OPEN OUT  
COUPLED SIDELIGHT AND VISION RAILS**

**CROSS SECTION**

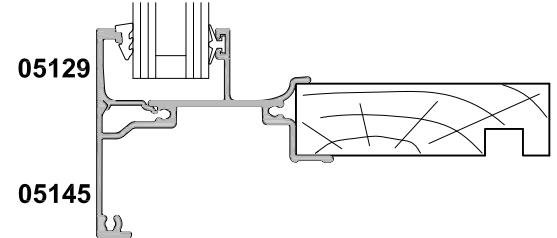
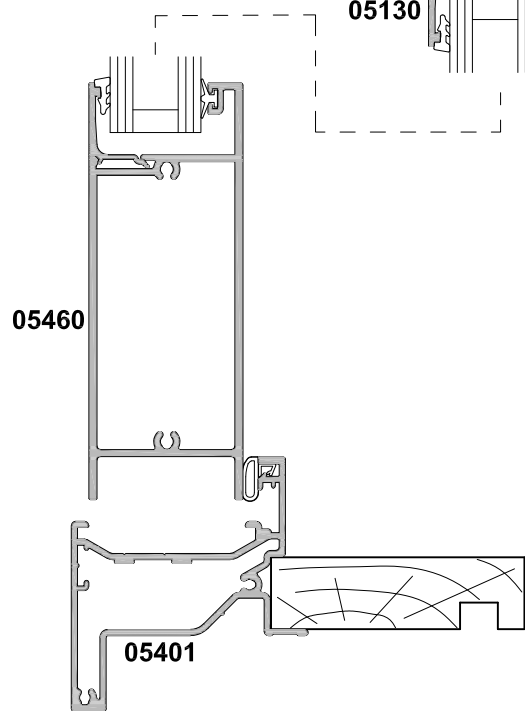
Date 01.04.19 Scale 1:2



**SECTION A-A**



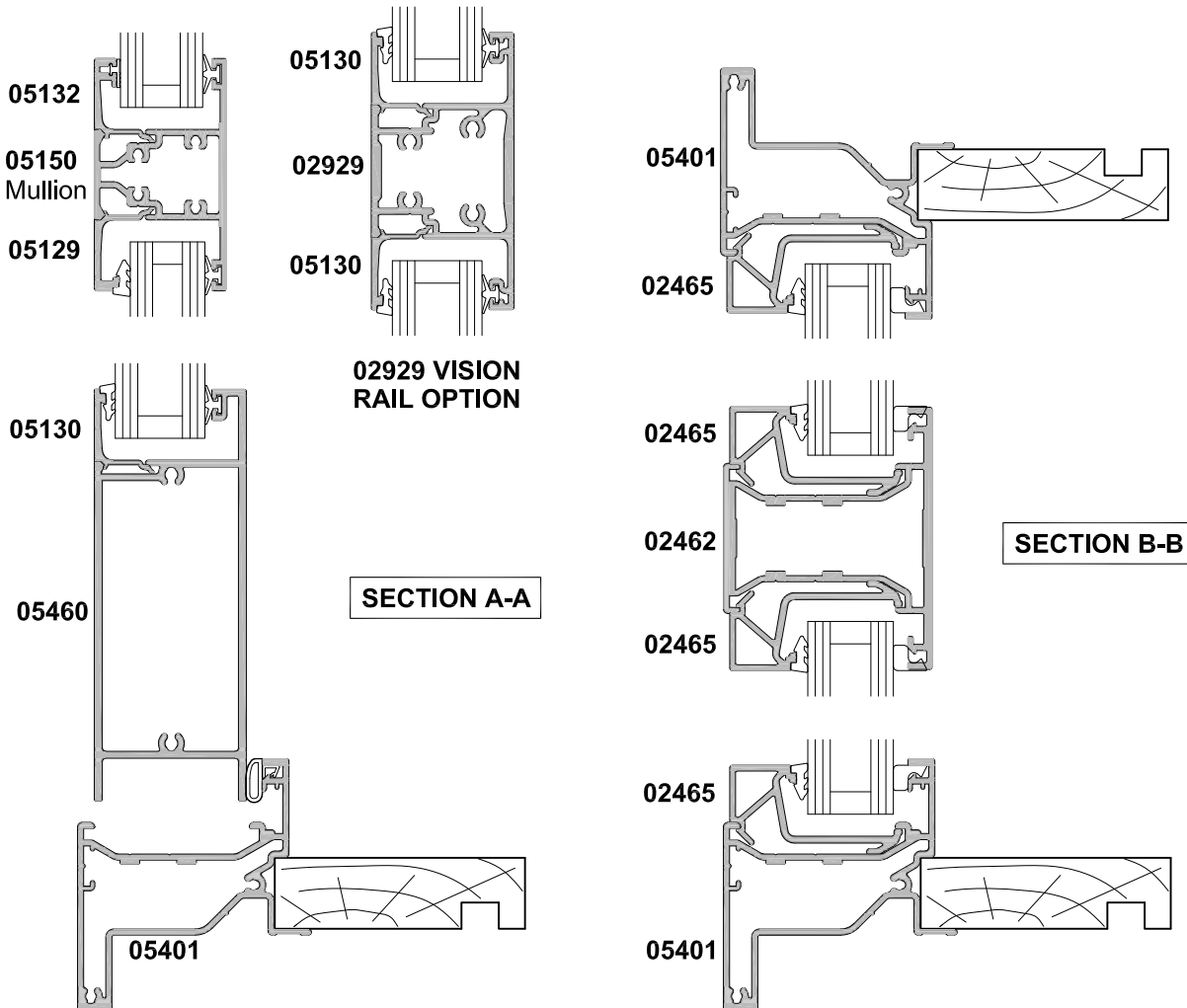
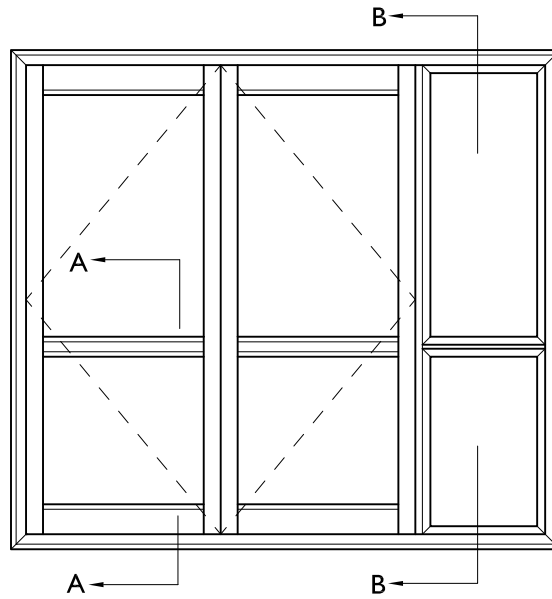
**SECTION B-B**



**FRENCH DOOR, OPEN OUT  
SIDELIGHT AND 62MM VISION RAILS**

**CROSS SECTION**

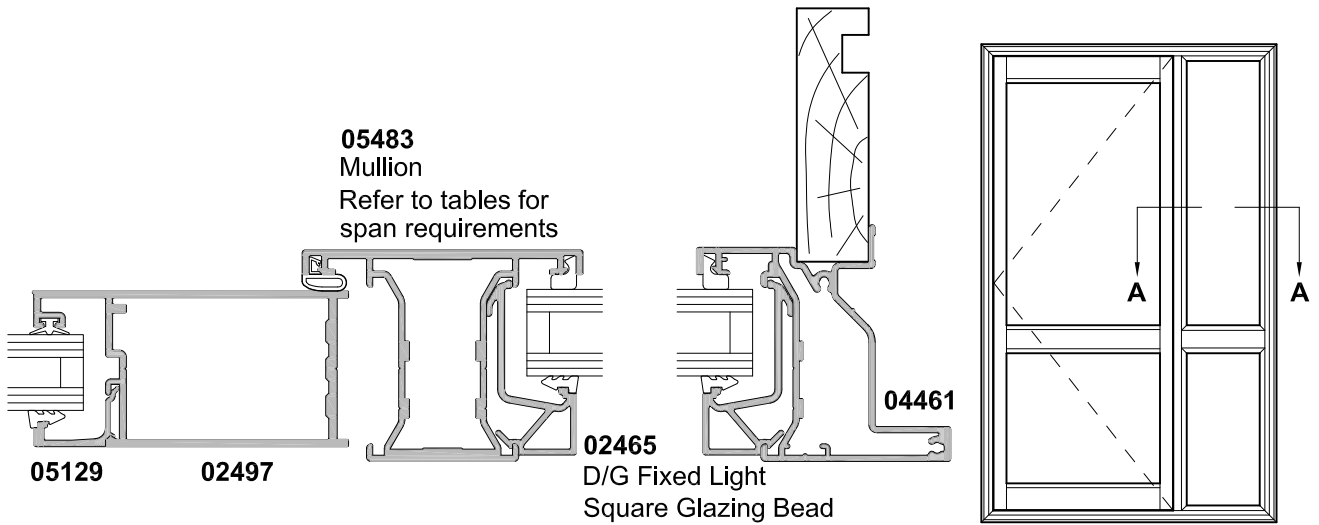
Date 01.04.19 Scale 1:2



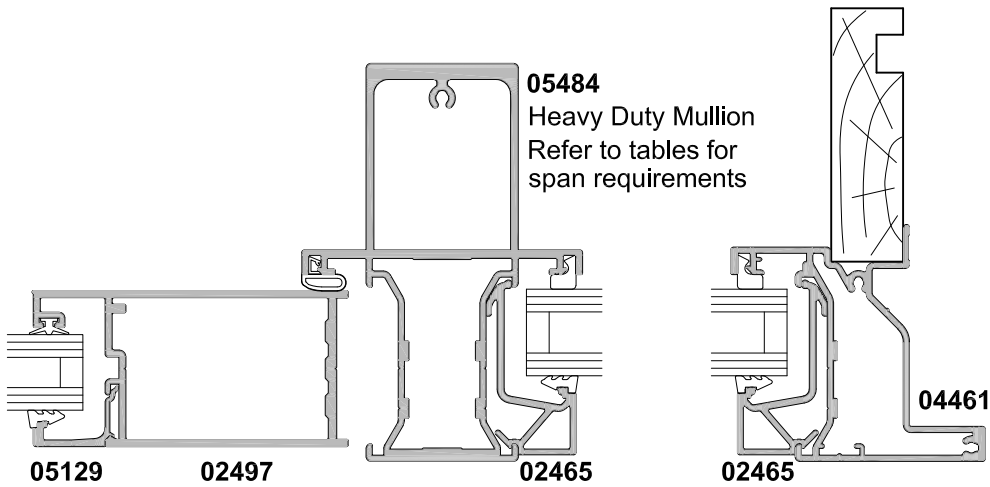
**HINGED DOOR, SIDELIGHT MULLIONS  
AND COUPLING BAR**

**CROSS SECTION**

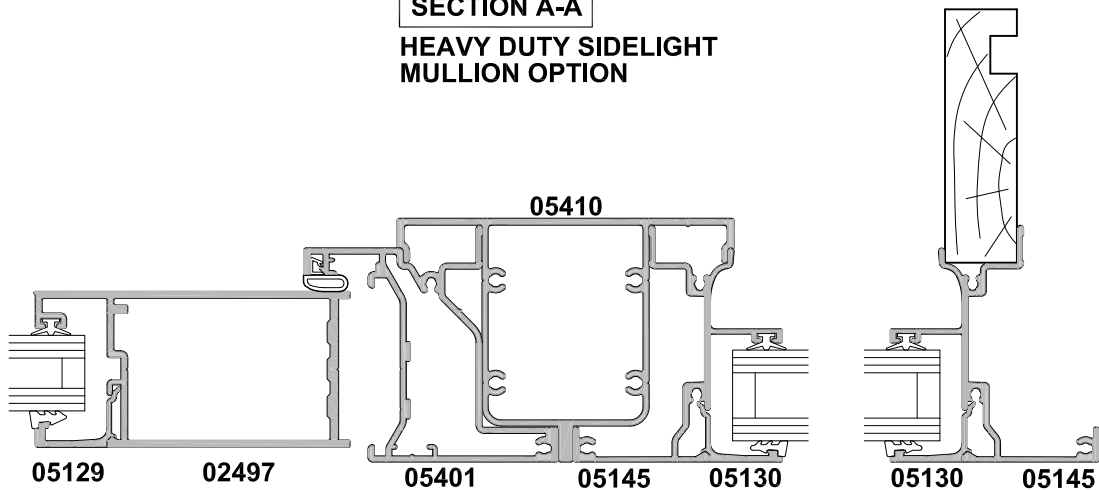
Date 01.04.19 Scale 1:2



**SECTION A-A**  
**DIRECT GLAZING OPTION**



**SECTION A-A**  
**HEAVY DUTY SIDELIGHT  
MULLION OPTION**

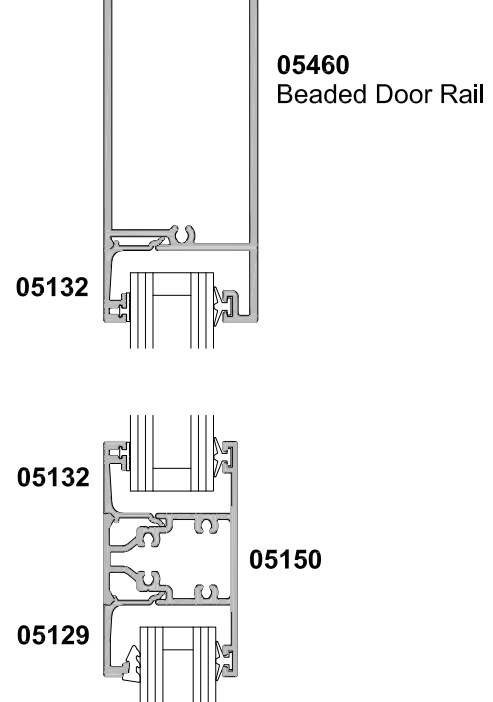
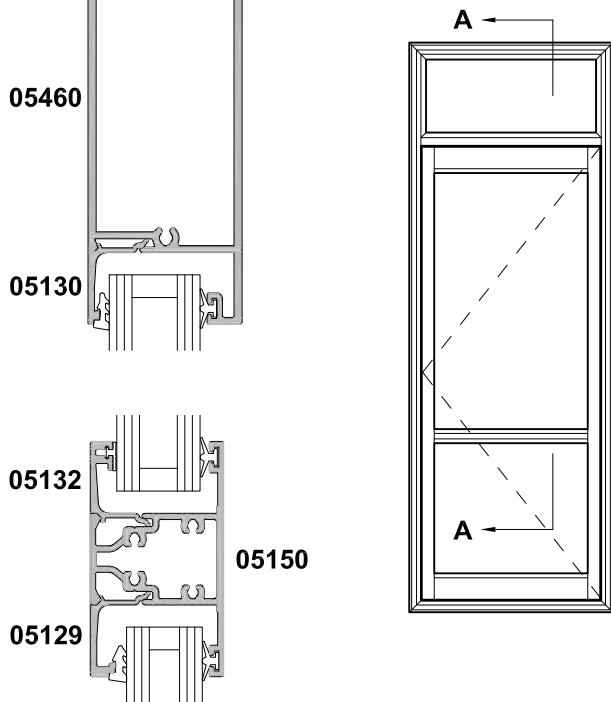
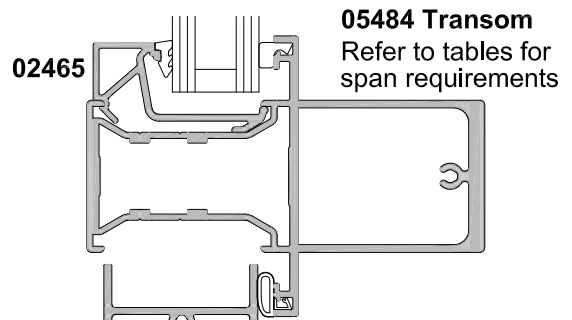
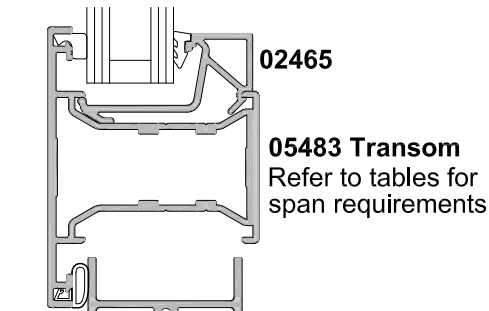
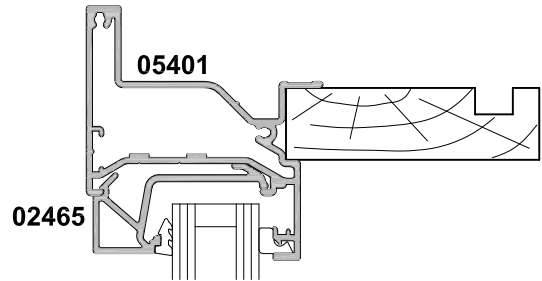
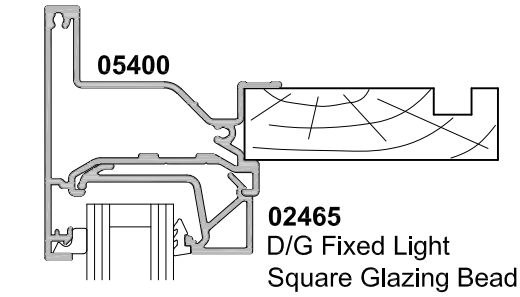


**SECTION A-A**  
**COUPLING OPTION**

**HINGED DOOR, OPEN IN AND OUT  
WITH OVERLIGHT TRANSOM**

**CROSS SECTION**

Date 01.04.19 Scale 1:2

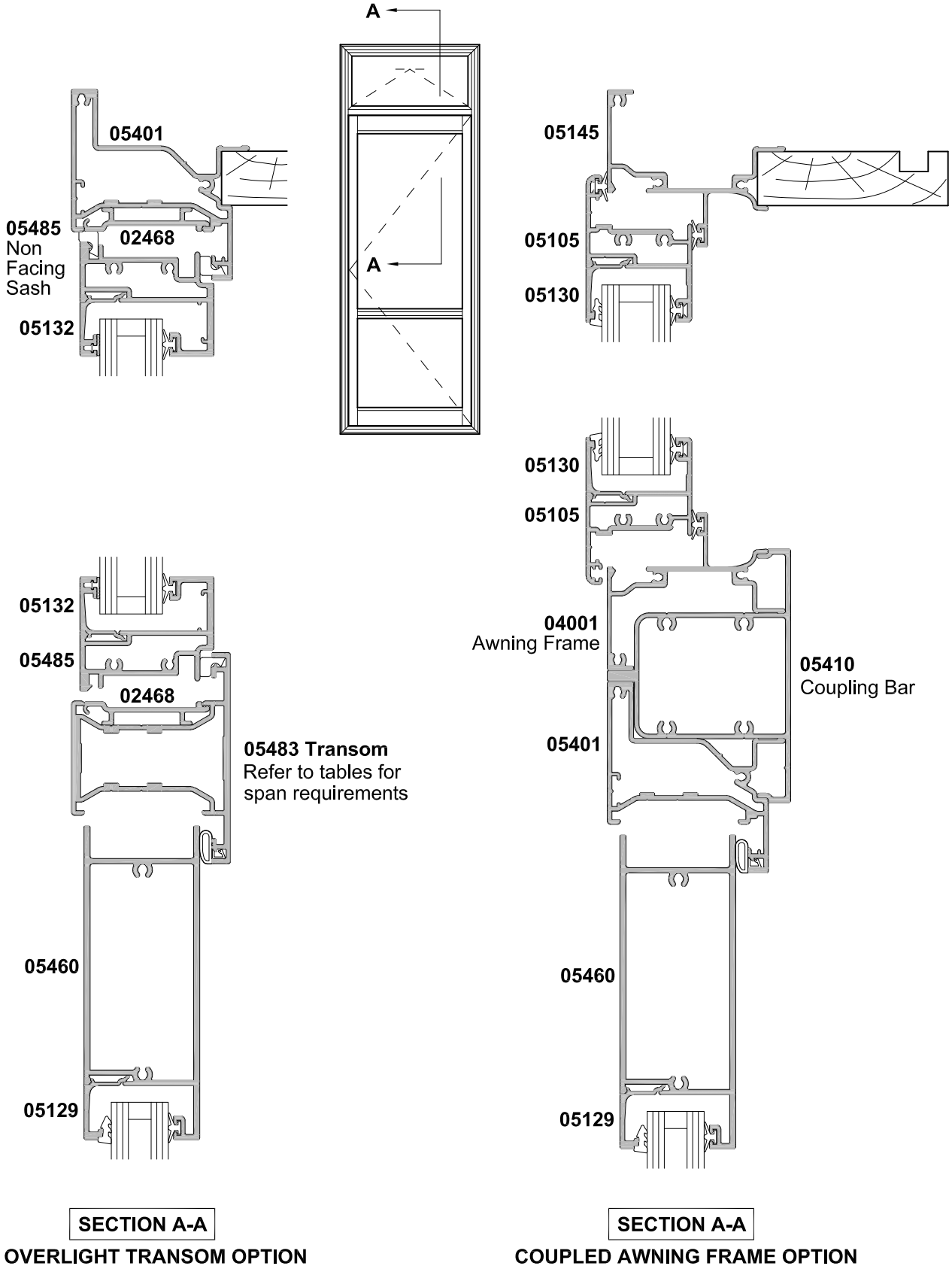


**SECTION A-A**  
**OPEN IN**

**SECTION A-A**  
**OPEN OUT**

**HINGED DOOR, OPEN OUT  
WITH OVERLIGHT SASH  
CROSS SECTION**

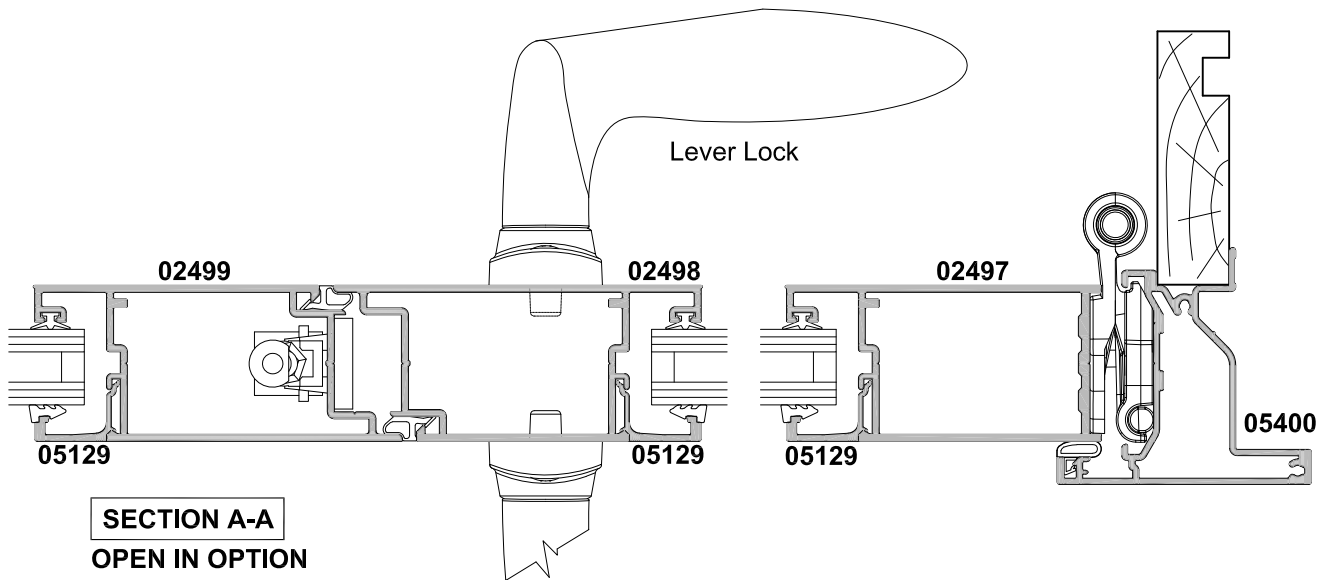
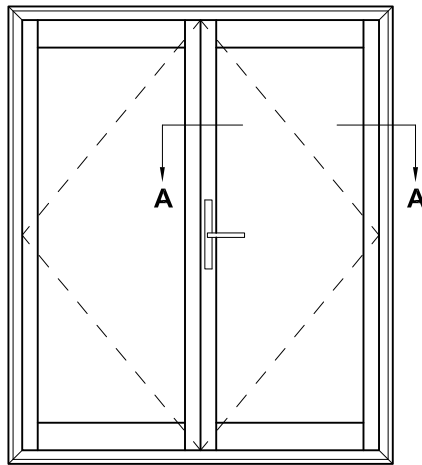
Date 01.04.19 Scale 1:2



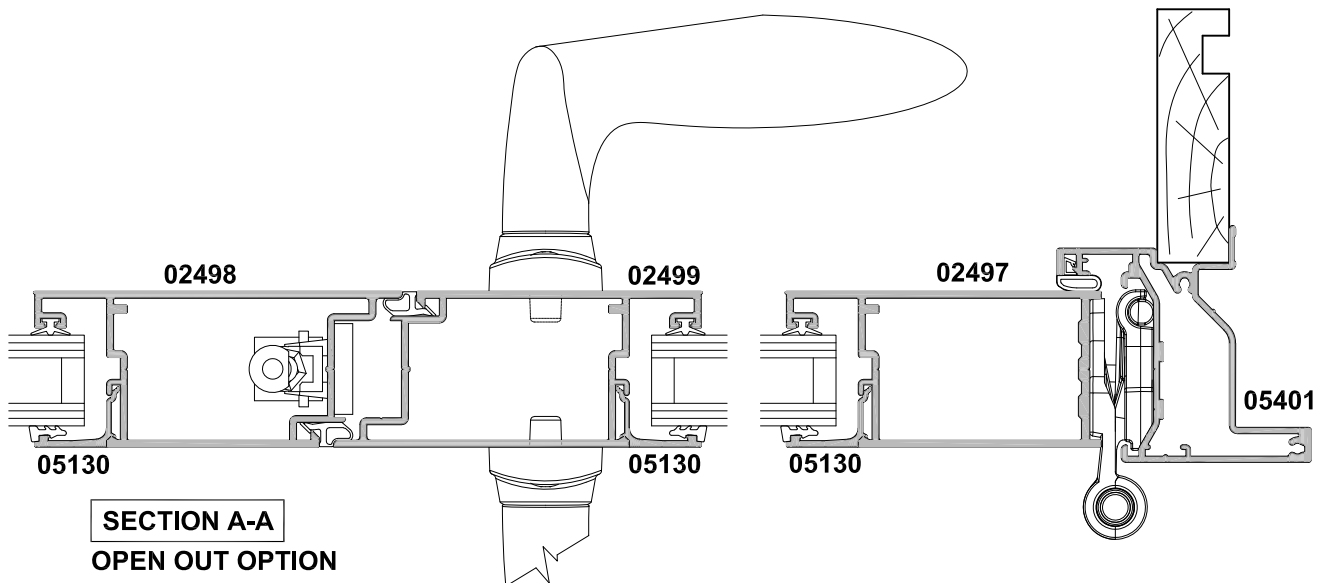


**FRENCH DOOR, OPEN IN AND OUT  
CROSS SECTION**

Date 01.04.19 Scale 1:2



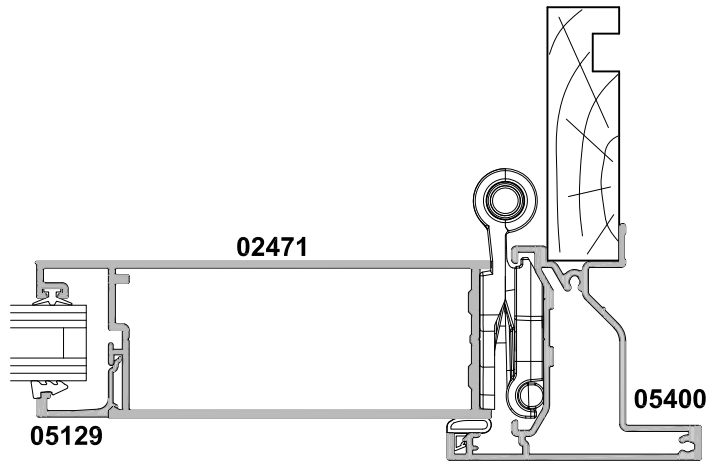
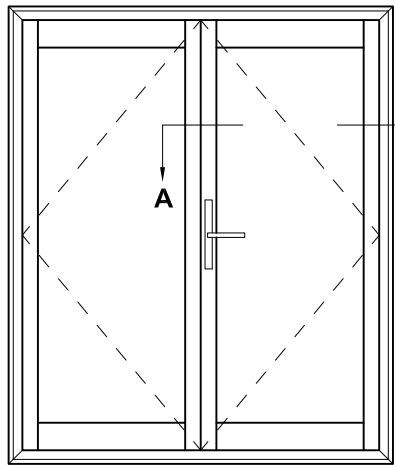
**SECTION A-A  
OPEN IN OPTION**



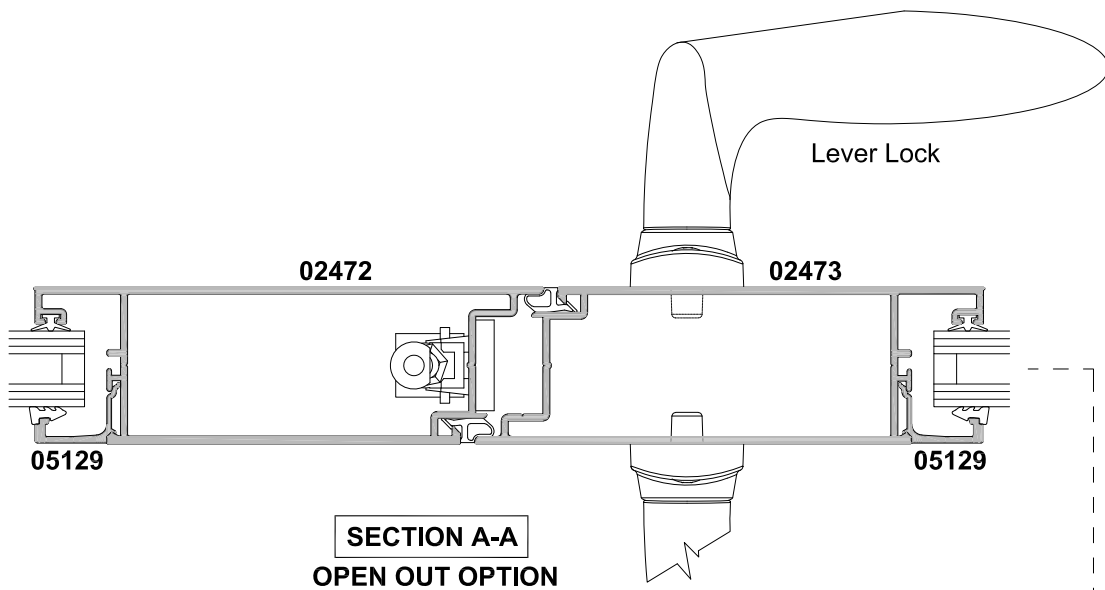
**SECTION A-A  
OPEN OUT OPTION**

**FRENCH DOOR,  
OPEN IN AND OPEN OUT - 120mm WIDE STILES**  
**CROSS SECTION**

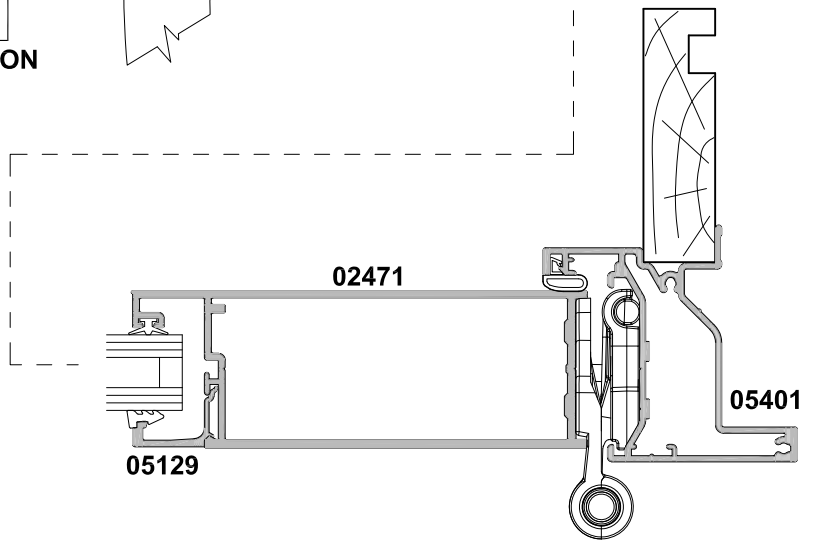
Date 01.04.19 Scale 1:2



**SECTION A-A  
OPEN IN OPTION**

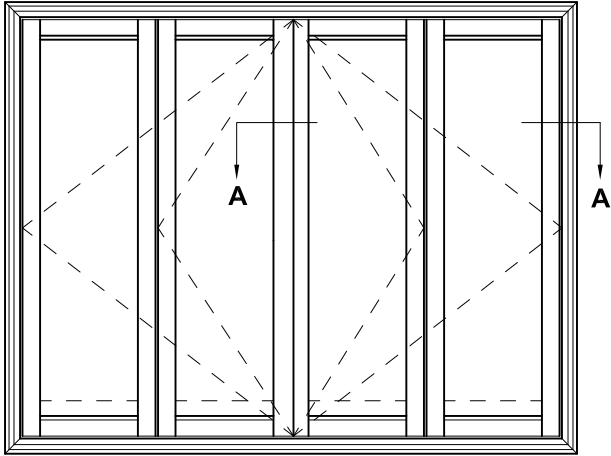


**SECTION A-A  
OPEN OUT OPTION**

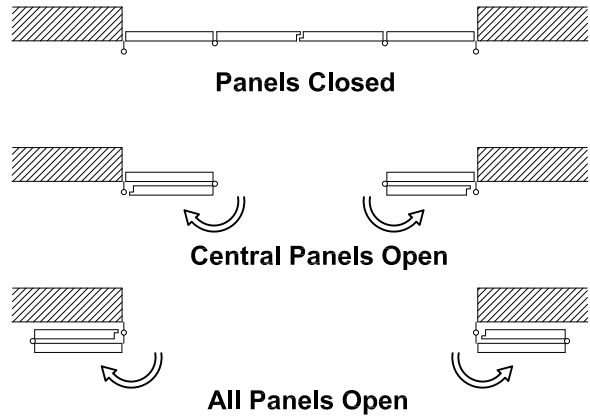


**FRENCH DOOR,  
OPEN OUT FRENCH FOLD AWAY DOOR  
CROSS SECTION**

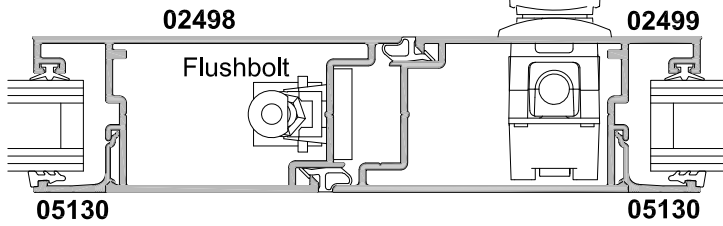
Date 01.04.19 Scale 1:2



**FOLD AWAY DOOR OPERATION**

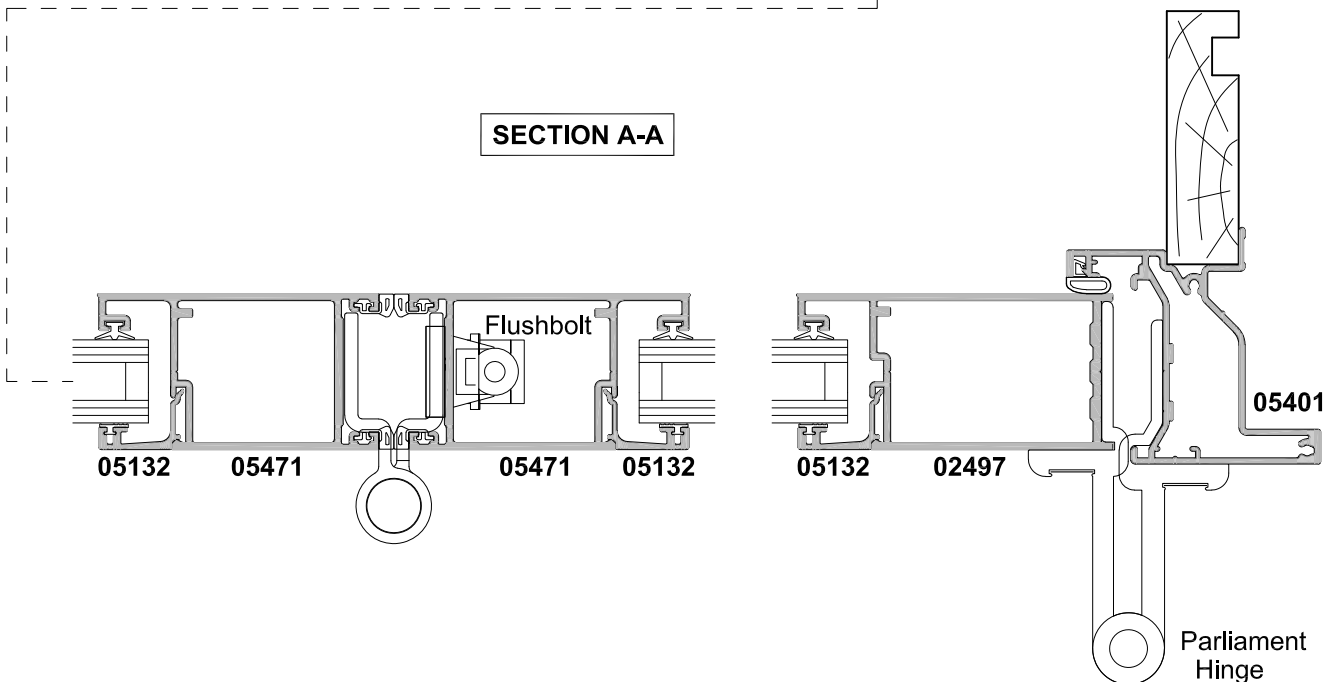


Twin Bolt Lock with  
Bi-fold Operator



Note:  
Bi-fold Operator can be replaced  
with a Lever Lock but it will limit  
the doors to opening less than 180°

**SECTION A-A**



**HINGED DOOR,  
COUPLING BAR OPTION**

**CROSS SECTION**

Date 01.04.19 Scale 1:2

