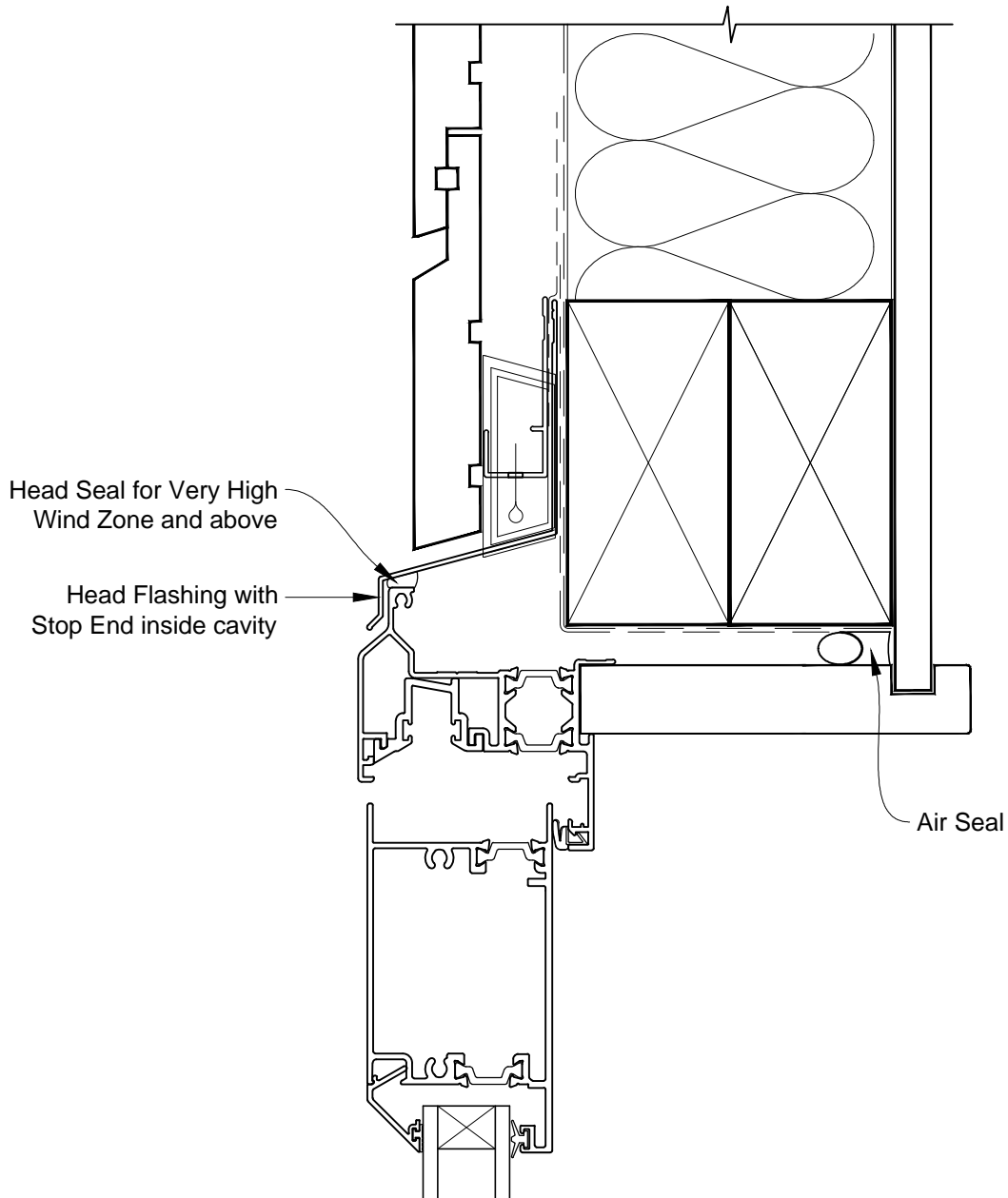


**INSTALLATION DETAIL - FIRST RESIDENTIAL THERMAL HEART
BIFOLD DOOR OPEN OUT ON RUSTICATED
WEATHERBOARD - CAVITY CONSTRUCTION**

Date: 01.03.14

Scale: 1:2

CAD Ref.: FTBDRW-CH

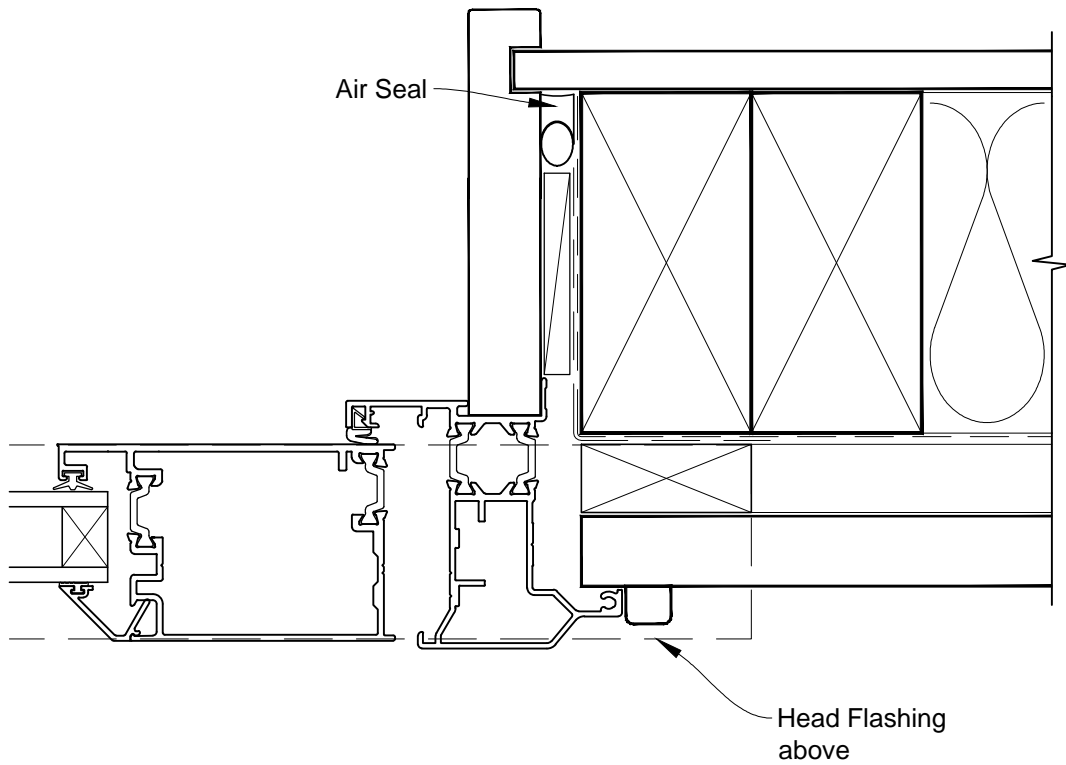


**INSTALLATION DETAIL - FIRST RESIDENTIAL THERMAL HEART
BIFOLD DOOR OPEN OUT ON RUSTICATED
WEATHERBOARD - CAVITY CONSTRUCTION**

Date: 01.03.14

Scale: 1:2

CAD Ref.: FTBDRW-CJ

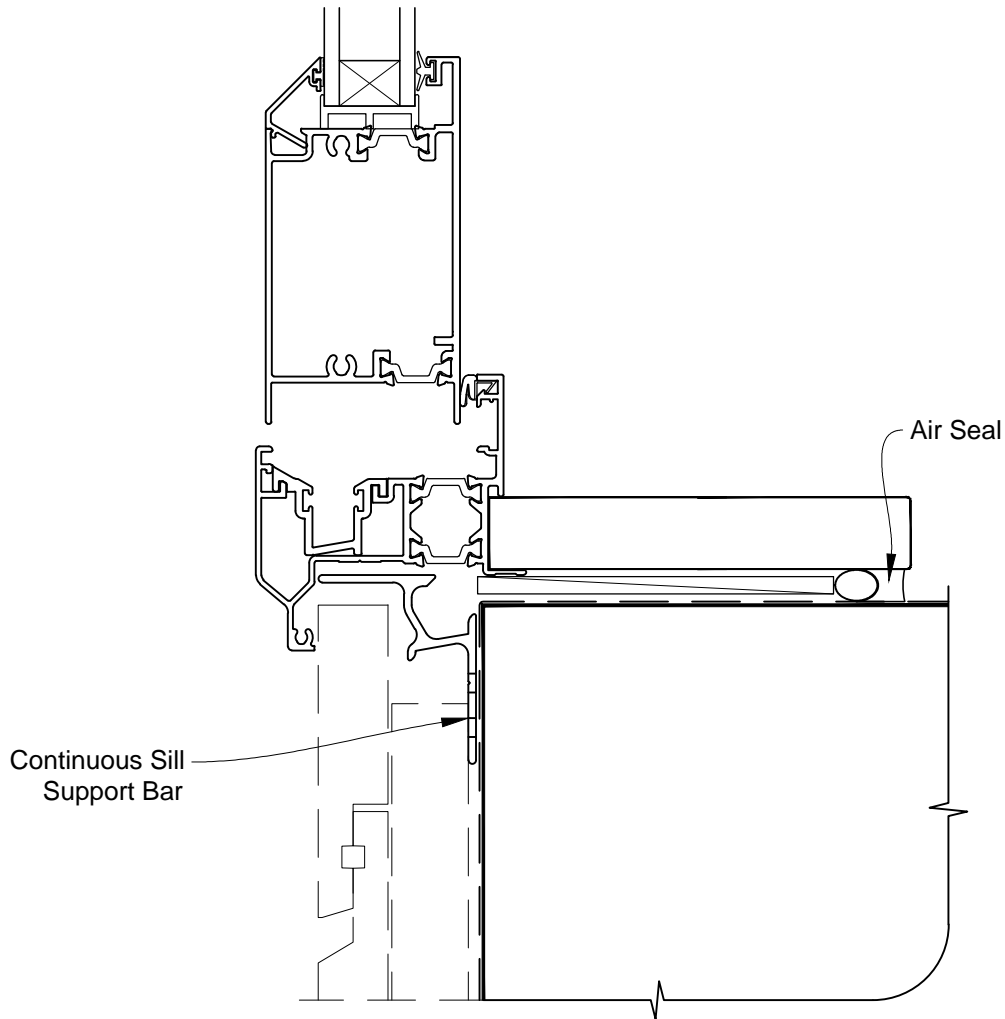


**INSTALLATION DETAIL - FIRST RESIDENTIAL THERMAL HEART
BIFOLD DOOR OPEN OUT ON RUSTICATED
WEATHERBOARD - CAVITY CONSTRUCTION**

Date: 01.03.14

Scale: 1:2

CAD Ref.: FTBDRW-CS

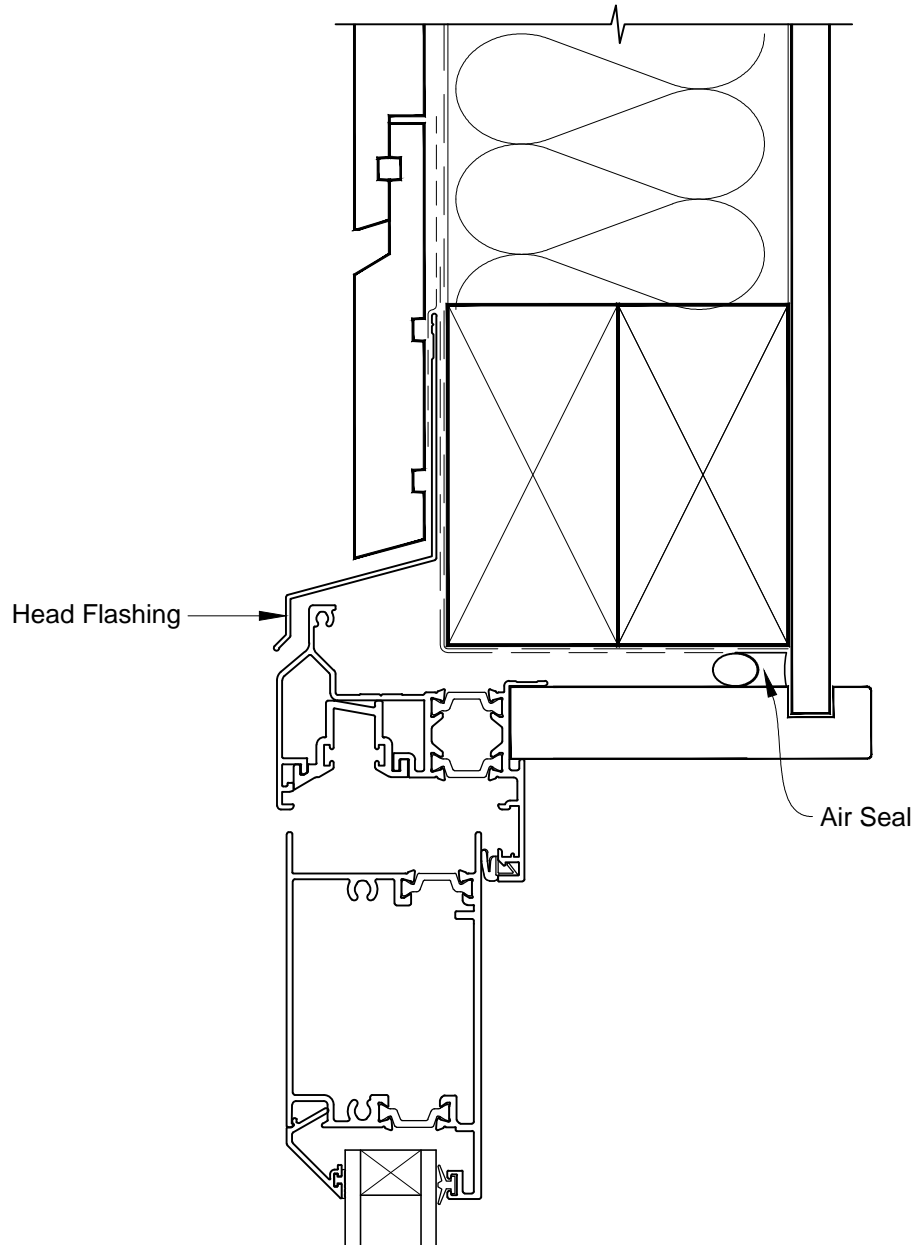


**INSTALLATION DETAIL - FIRST RESIDENTIAL THERMAL HEART
BIFOLD DOOR OPEN OUT ON RUSTICATED
WEATHERBOARD - DIRECT FIXED CLADDING**

Date: 01.03.14

Scale: 1:2

CAD Ref.: FTBDRW-DH

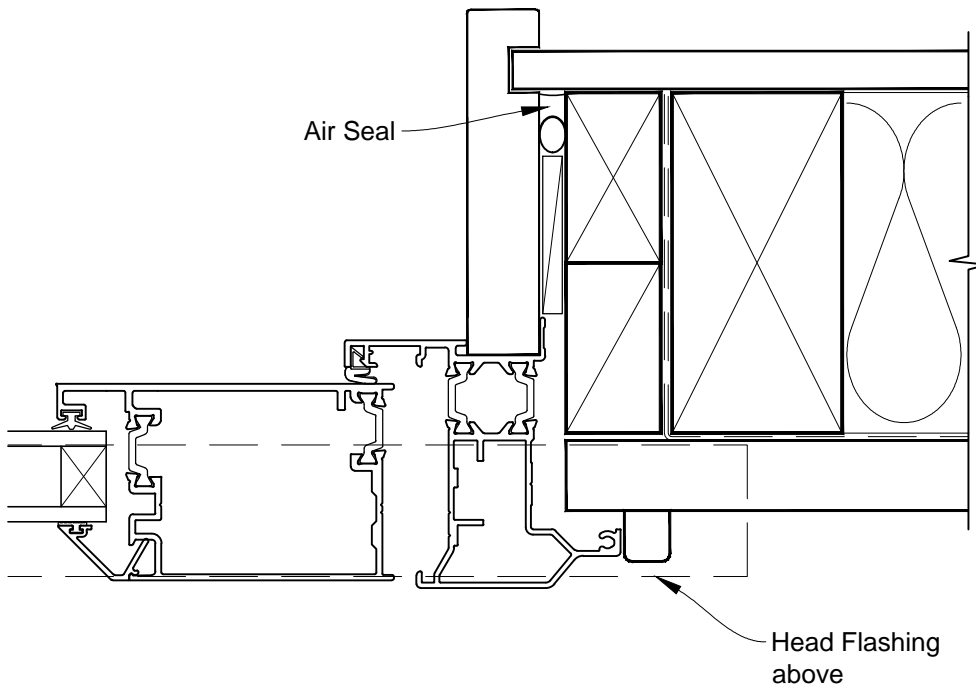


**INSTALLATION DETAIL - FIRST RESIDENTIAL THERMAL HEART
BIFOLD DOOR OPEN OUT ON RUSTICATED
WEATHERBOARD - DIRECT FIXED CLADDING**

Date: 01.03.14

Scale: 1:2

CAD Ref.: FTBDRW-DJ



**INSTALLATION DETAIL - FIRST RESIDENTIAL THERMAL HEART
BIFOLD DOOR OPEN OUT ON RUSTICATED
WEATHERBOARD - DIRECT FIXED CLADDING**

Date: 01.03.14

Scale: 1:2

CAD Ref.: FTBDRW-DS

