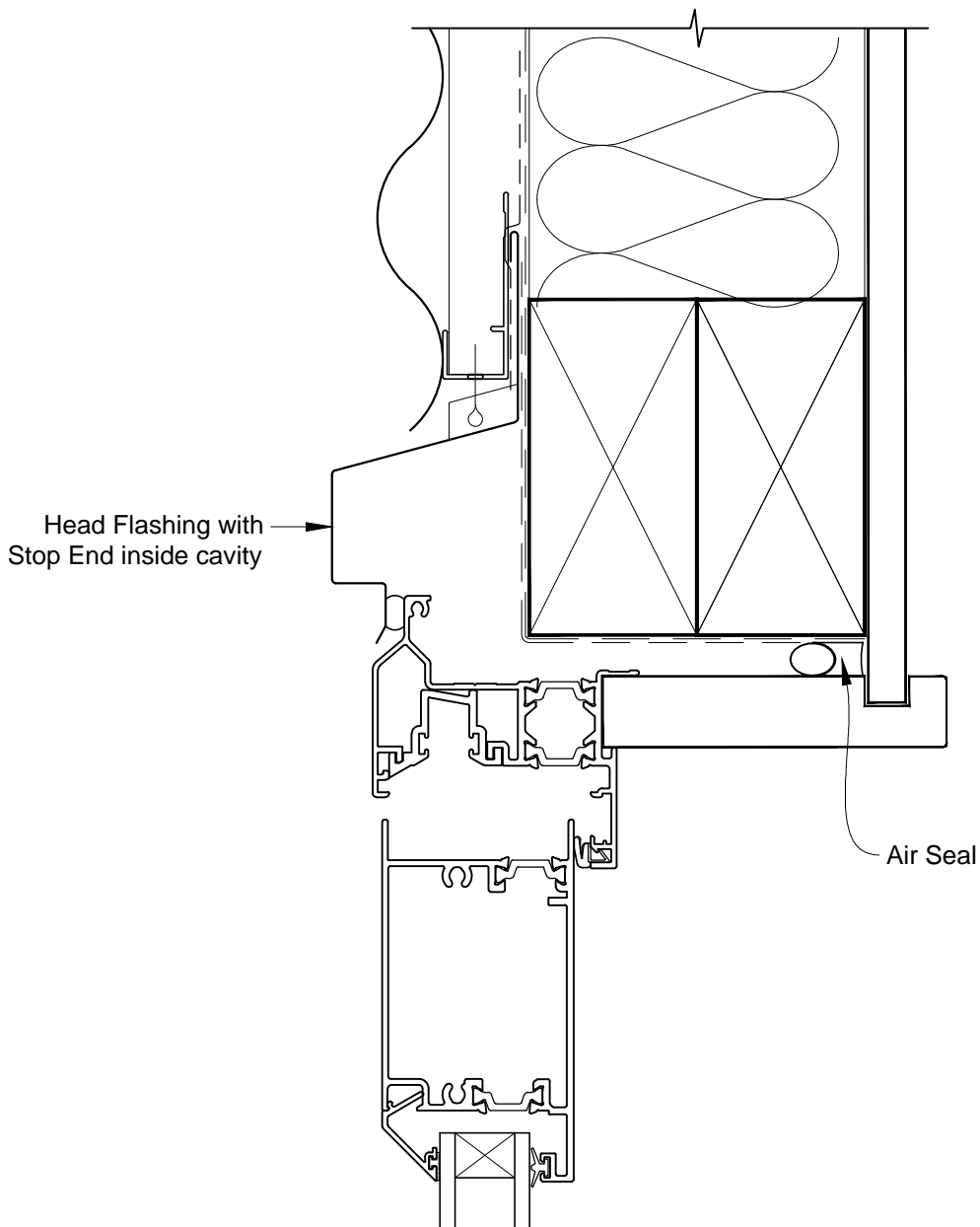


**INSTALLATION DETAIL - FIRST RESIDENTIAL THERMAL HEART
BIFOLD DOOR OPEN OUT ON PROFILE METAL
CAVITY CONSTRUCTION**

Date: 01.03.14

Scale: 1:2

CAD Ref.: FTBDPM-CH

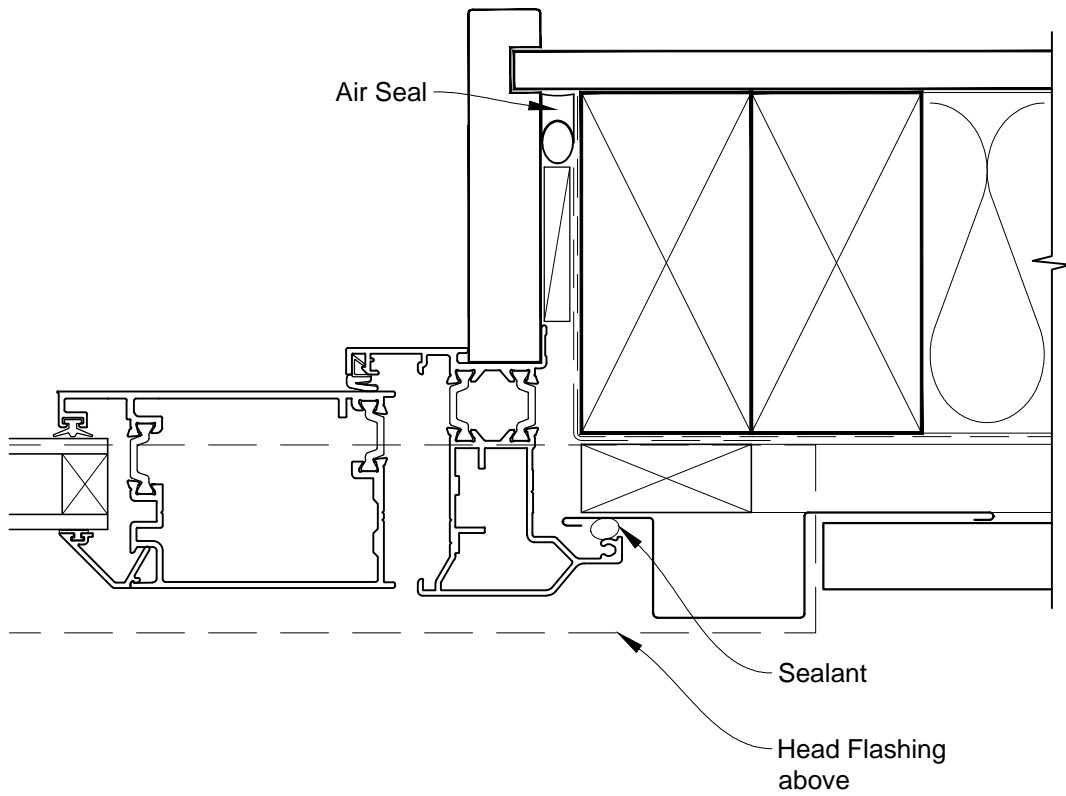


**INSTALLATION DETAIL - FIRST RESIDENTIAL THERMAL HEART
BIFOLD DOOR OPEN OUT ON PROFILE METAL
CAVITY CONSTRUCTION**

Date: 01.03.14

Scale: 1:2

CAD Ref.: FTBDPM-CJ

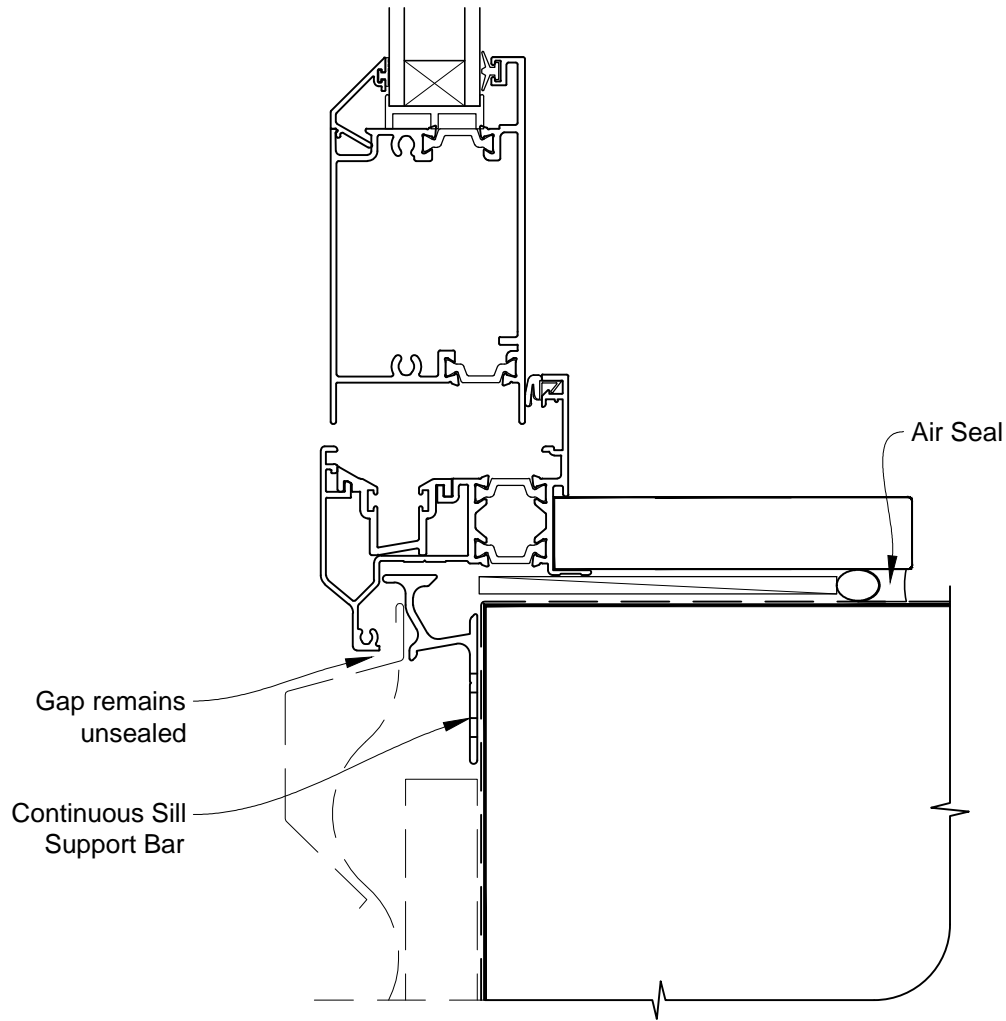


**INSTALLATION DETAIL - FIRST RESIDENTIAL THERMAL HEART
BIFOLD DOOR OPEN OUT ON PROFILE METAL
CAVITY CONSTRUCTION**

Date: 01.03.14

Scale: 1:2

CAD Ref.: FTBDPM-CS

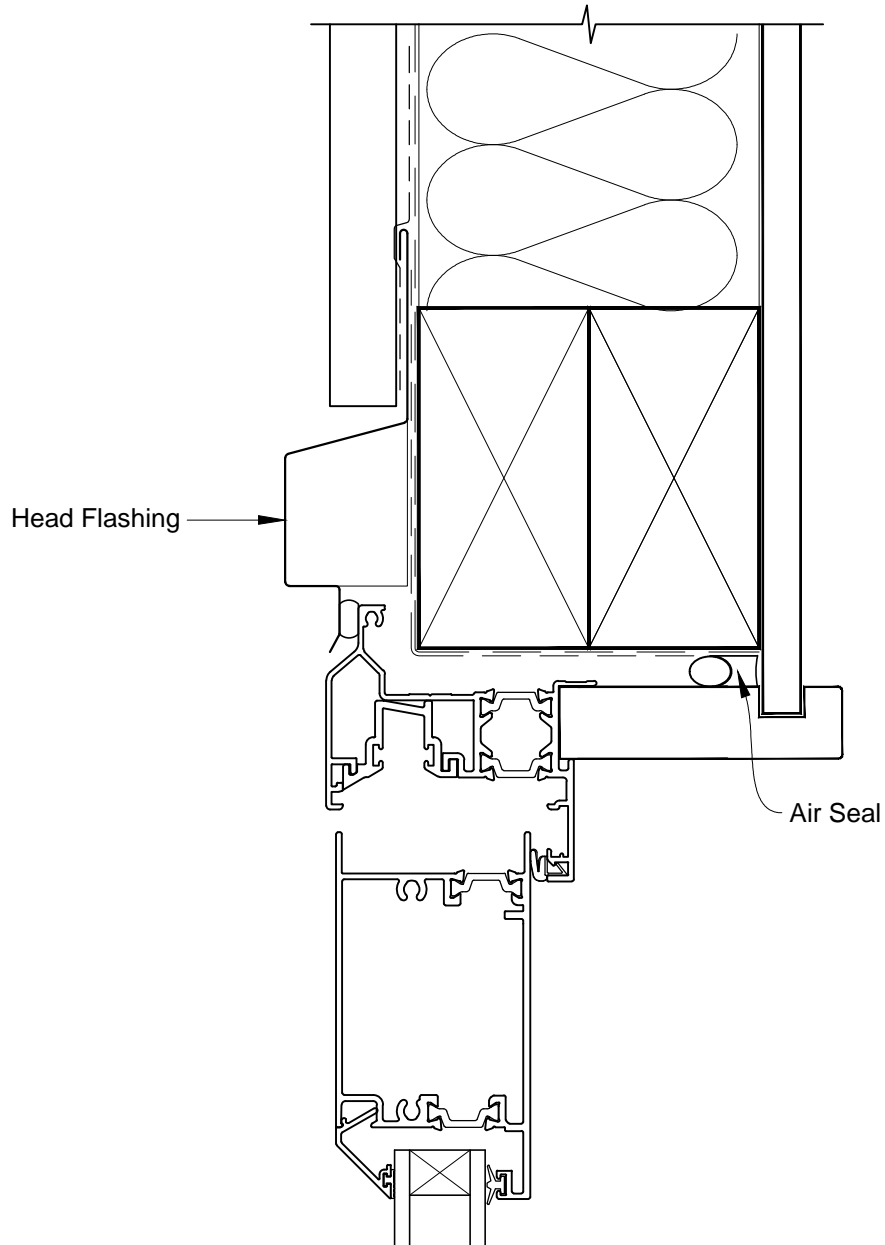


**INSTALLATION DETAIL - FIRST RESIDENTIAL THERMAL HEART
BIFOLD DOOR OPEN OUT ON PROFILE METAL
DIRECT FIXED CLADDING**

Date: 01.03.14

Scale: 1:2

CAD Ref.: FTBDPM-DH

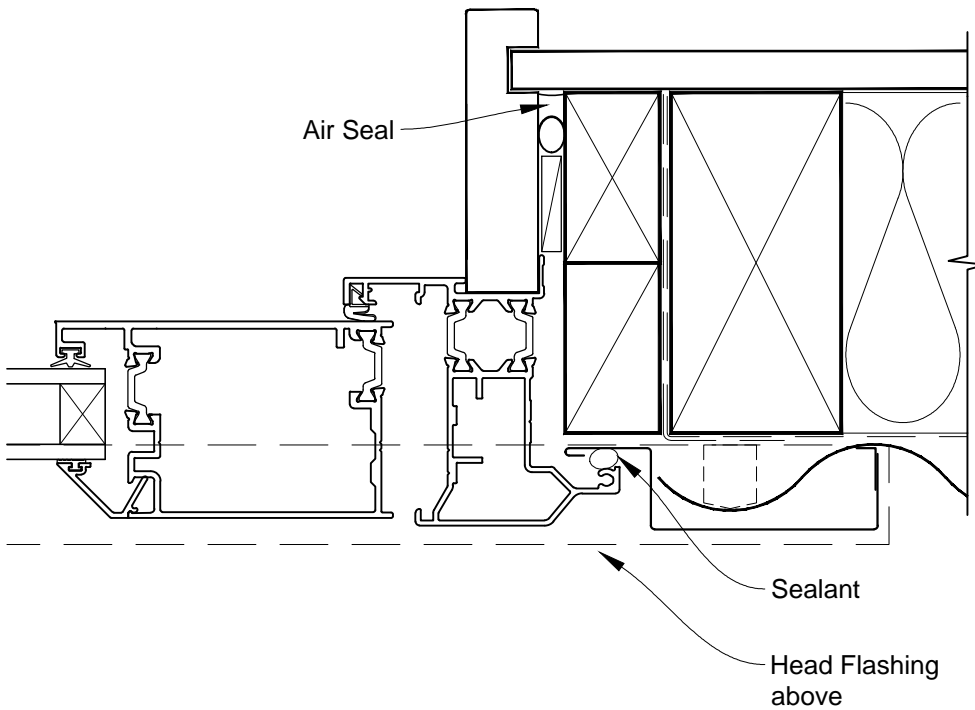


**INSTALLATION DETAIL - FIRST RESIDENTIAL THERMAL HEART
BIFOLD DOOR OPEN OUT ON PROFILE METAL
DIRECT FIXED CLADDING**

Date: 01.03.14

Scale: 1:2

CAD Ref.: FTBDPM-DJ



**INSTALLATION DETAIL - FIRST RESIDENTIAL THERMAL HEART
BIFOLD DOOR OPEN OUT ON PROFILE METAL
DIRECT FIXED CLADDING**

Date: 01.03.14

Scale: 1:2

CAD Ref.: FTBDPM-DS

