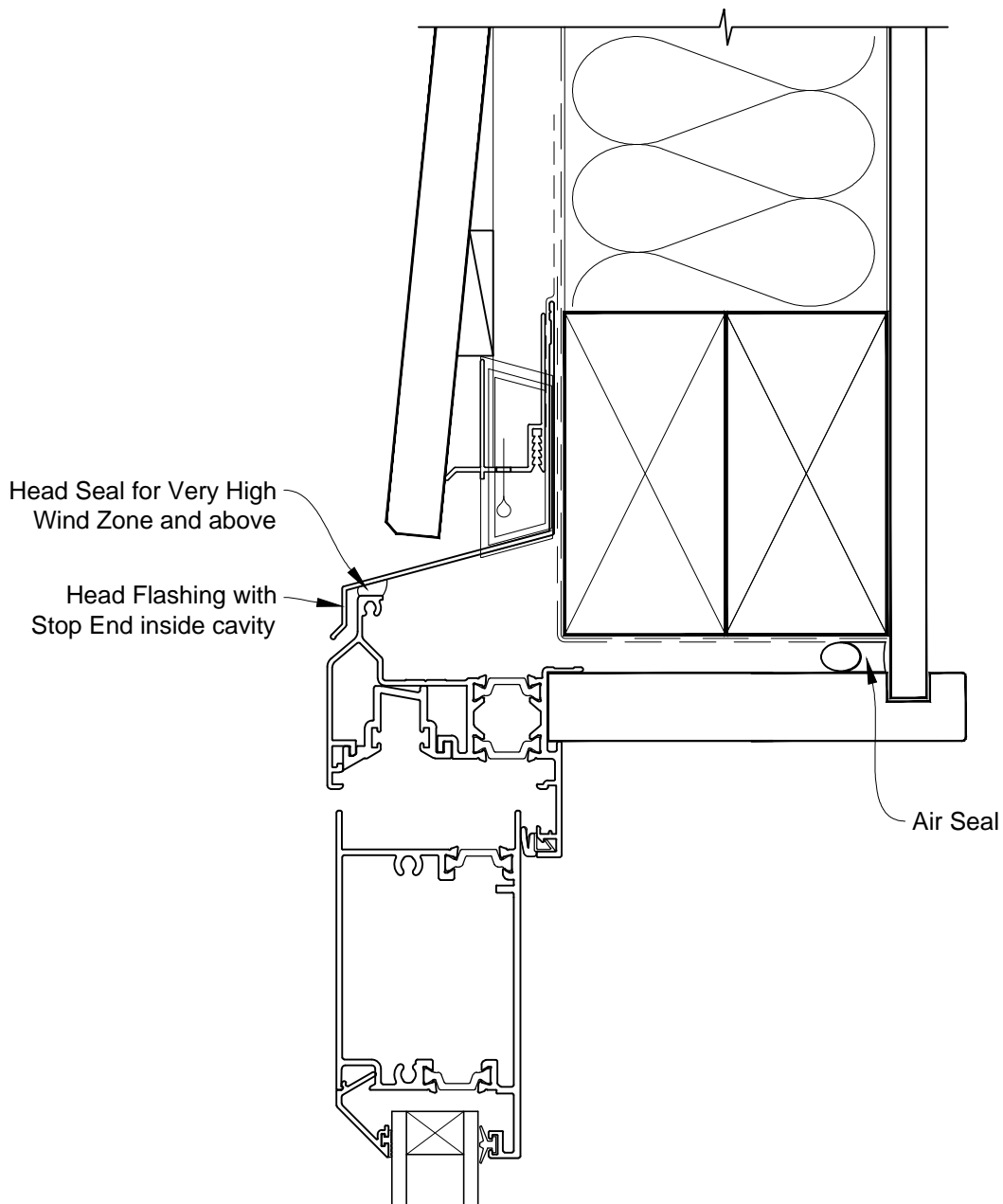


**INSTALLATION DETAIL - FIRST RESIDENTIAL THERMAL HEART
BIFOLD DOOR OPEN OUT ON BEVELBACK
WEATHERBOARD - CAVITY CONSTRUCTION**

Date: 01.03.14

Scale: 1:2

CAD Ref.: FTBDBW-CH

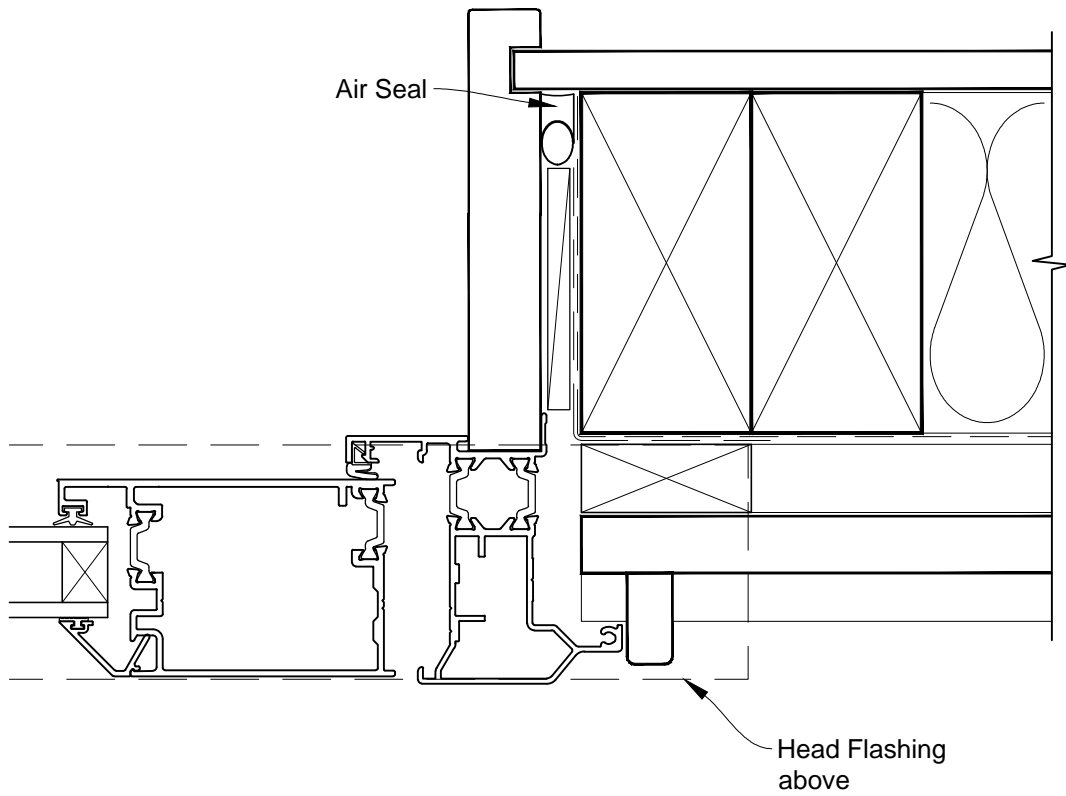


**INSTALLATION DETAIL - FIRST RESIDENTIAL THERMAL HEART
BIFOLD DOOR OPEN OUT ON BEVELBACK
WEATHERBOARD - CAVITY CONSTRUCTION**

Date: 01.03.14

Scale: 1:2

CAD Ref.: FTBDBW-CJ

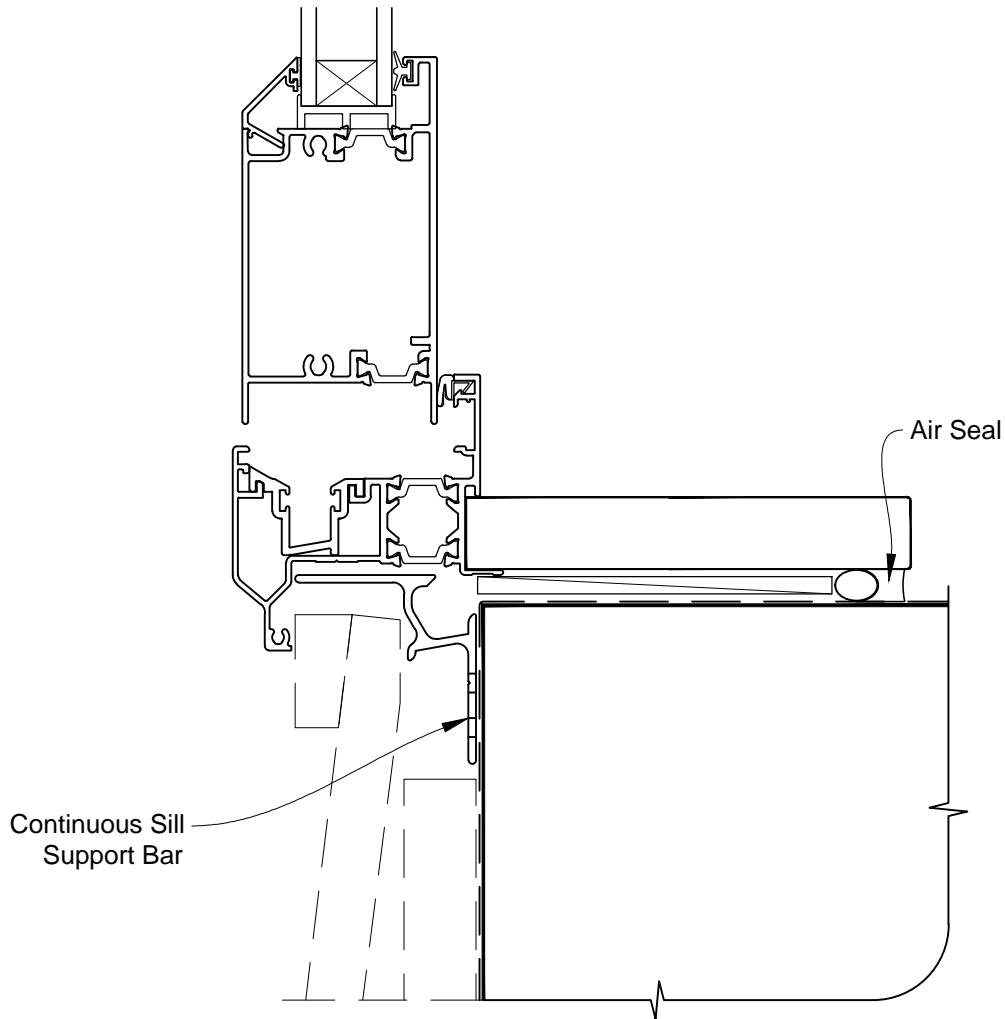


**INSTALLATION DETAIL - FIRST RESIDENTIAL THERMAL HEART
BIFOLD DOOR OPEN OUT ON BEVELBACK
WEATHERBOARD - CAVITY CONSTRUCTION**

Date: 01.03.14

Scale: 1:2

CAD Ref.: FTBDBW-CS

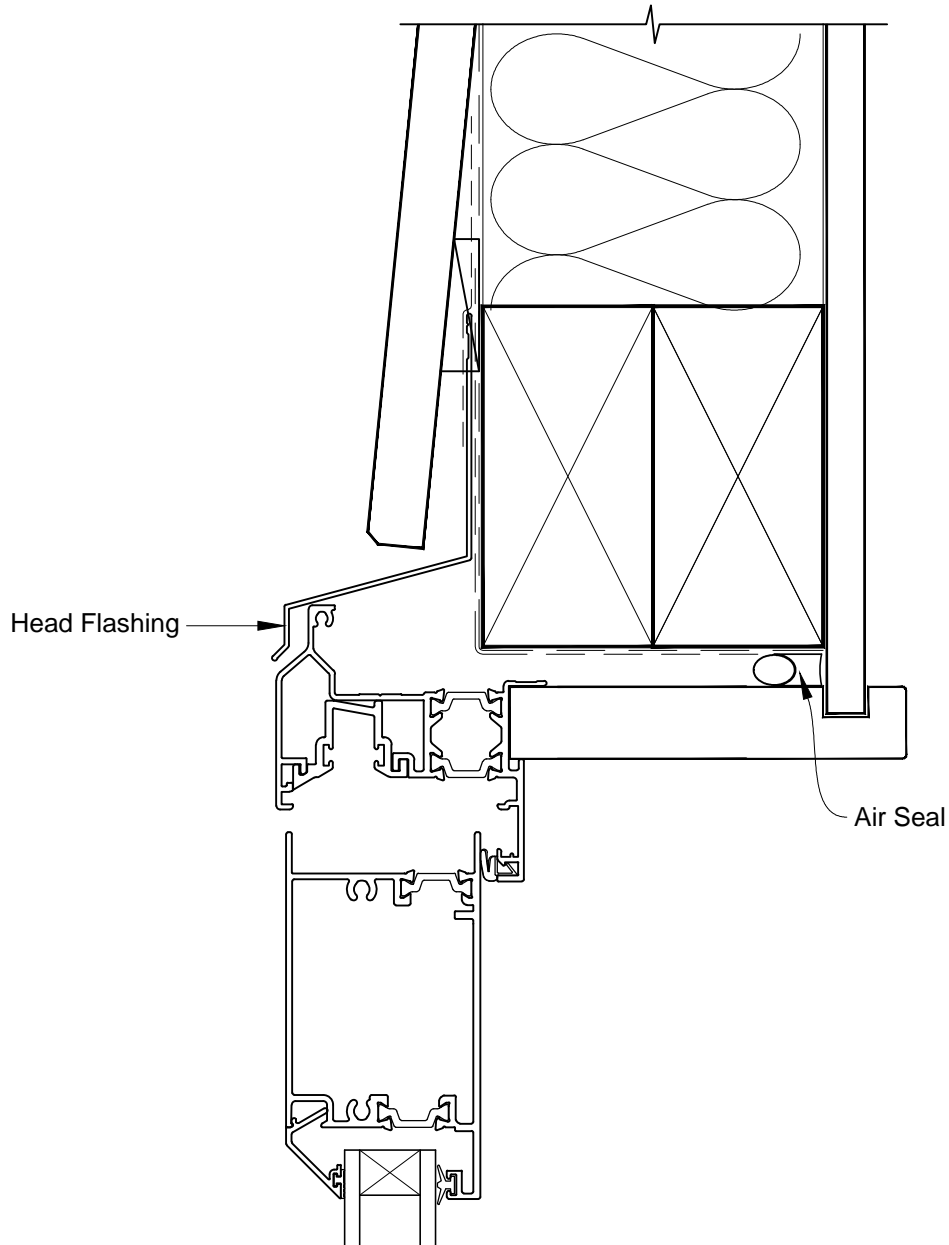


**INSTALLATION DETAIL - FIRST RESIDENTIAL THERMAL HEART
BIFOLD DOOR OPEN OUT ON BEVELBACK
WEATHERBOARD - DIRECT FIXED CLADDING**

Date: 01.03.14

Scale: 1:2

CAD Ref.: FTBDBW-DH

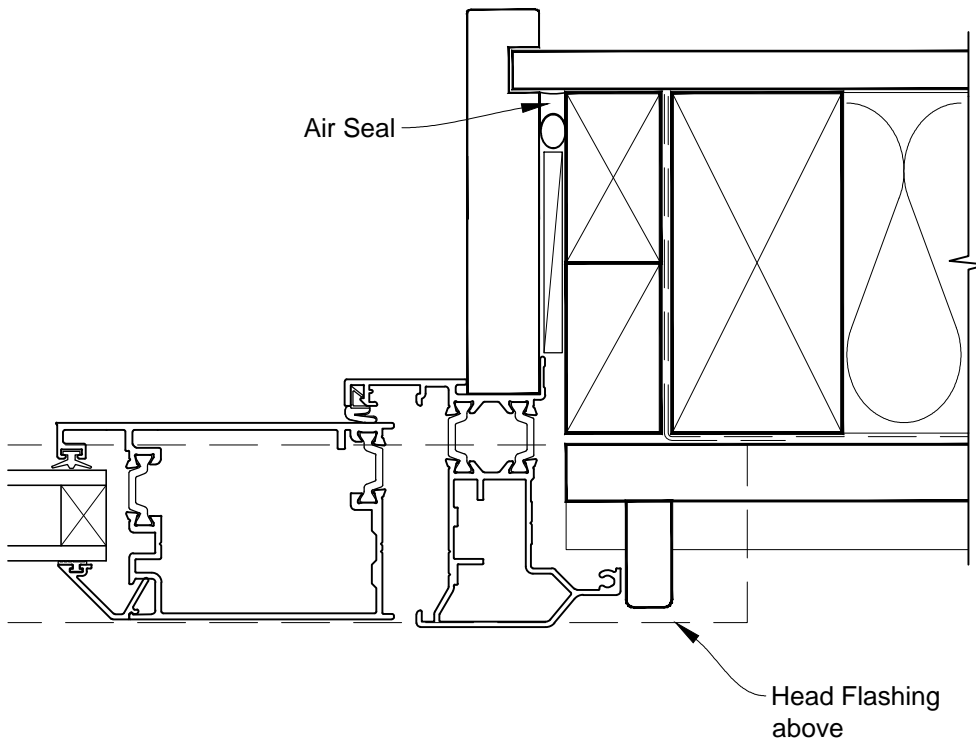


**INSTALLATION DETAIL - FIRST RESIDENTIAL THERMAL HEART
BIFOLD DOOR OPEN OUT ON BEVELBACK
WEATHERBOARD - DIRECT FIXED CLADDING**

Date: 01.03.14

Scale: 1:2

CAD Ref.: FTBDBW-DJ



**INSTALLATION DETAIL - FIRST RESIDENTIAL THERMAL HEART
BIFOLD DOOR OPEN OUT ON BEVELBACK
WEATHERBOARD - DIRECT FIXED CLADDING**

Date: 01.03.14

Scale: 1:2

CAD Ref.: FTBDBW-DS

