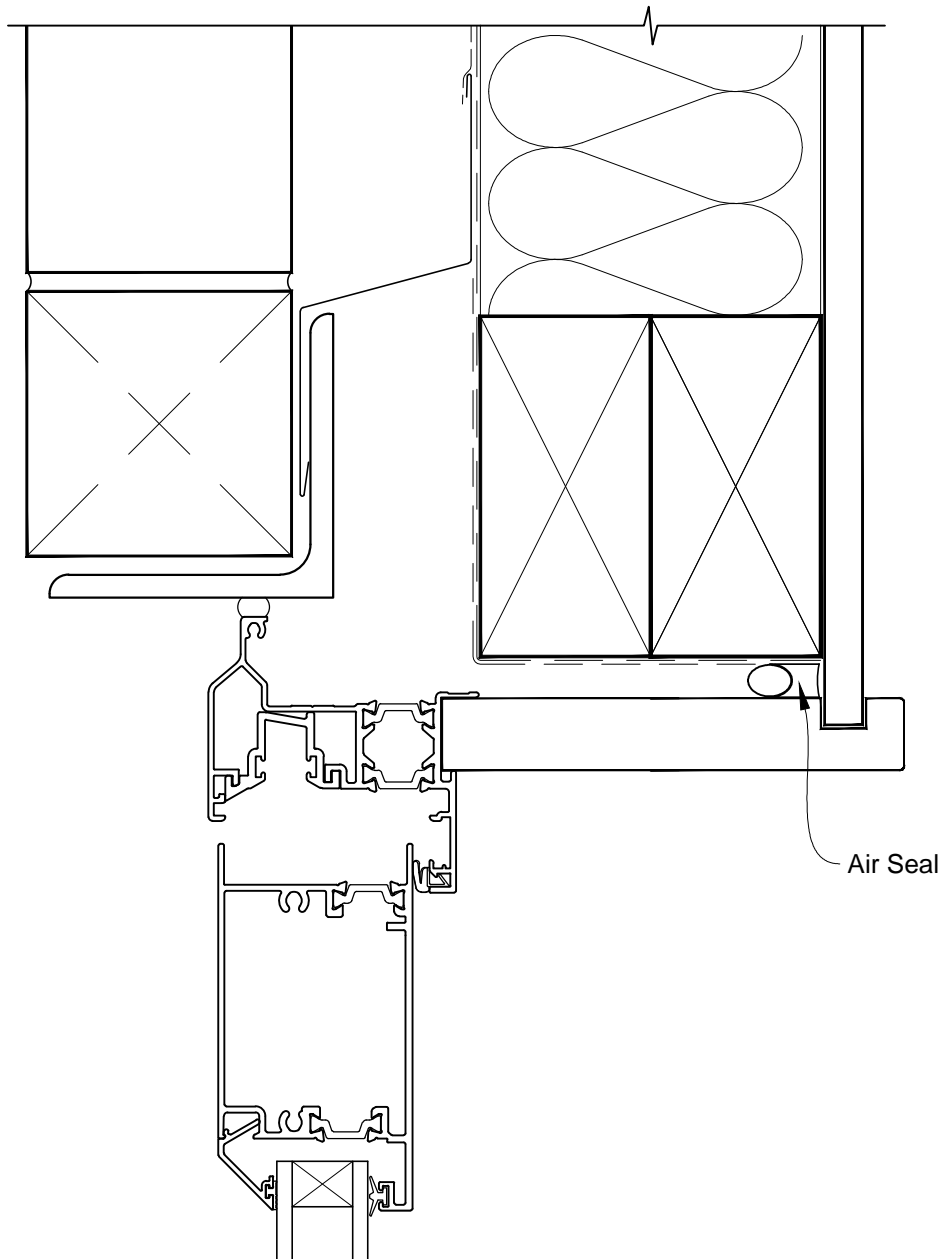


**INSTALLATION DETAIL - FIRST RESIDENTIAL THERMAL HEART  
BIFOLD DOOR OPEN OUT DOOR ON BRICK VENEER  
CAVITY CONSTRUCTION**

Date: 01.03.14

Scale: 1:2

CAD Ref.: FTBDBV-CH

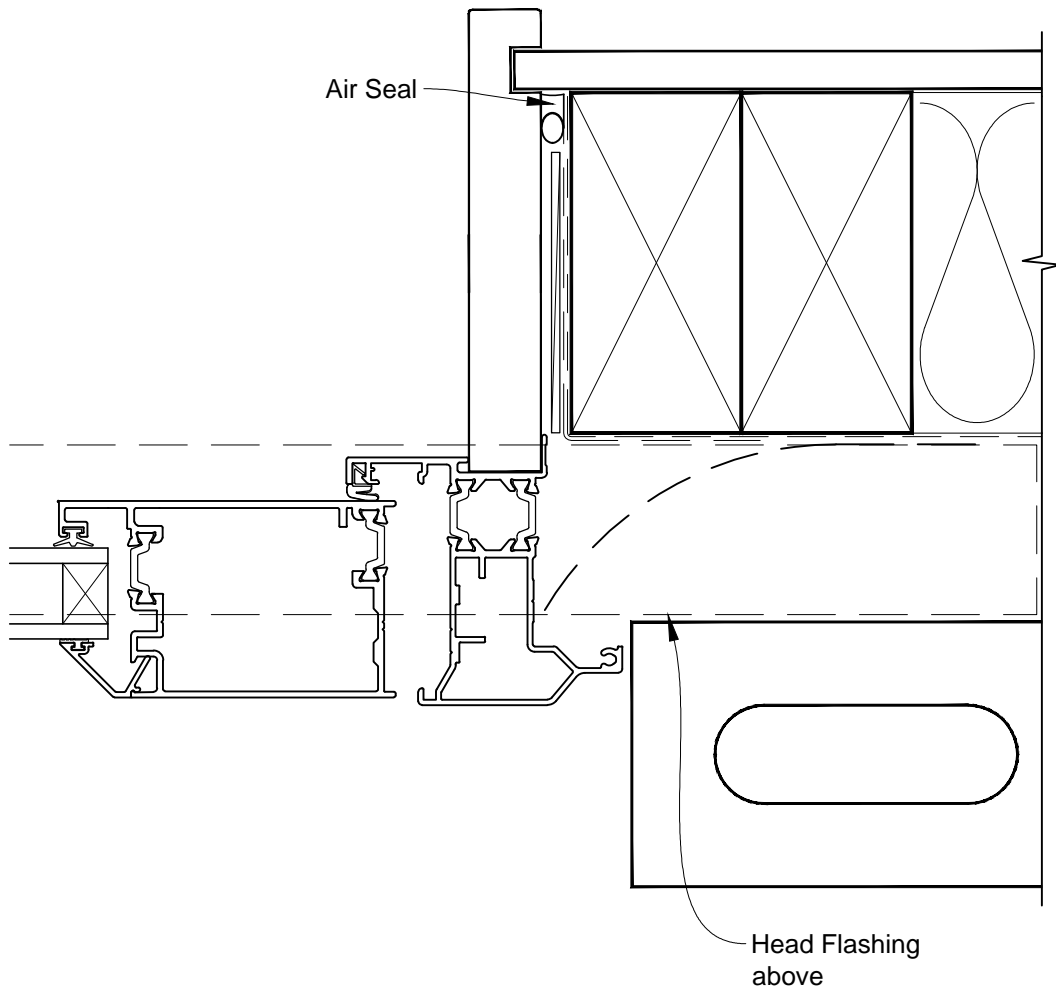


**INSTALLATION DETAIL - FIRST RESIDENTIAL THERMAL HEART  
BIFOLD DOOR OPEN OUT DOOR ON BRICK VENEER  
CAVITY CONSTRUCTION**

Date: 01.03.14

Scale: 1:2

CAD Ref.: FTBDBV-CJ



**INSTALLATION DETAIL - FIRST RESIDENTIAL THERMAL HEART  
BIFOLD DOOR OPEN OUT DOOR ON BRICK VENEER  
CAVITY CONSTRUCTION**

Date: 01.03.14

Scale: 1:2

CAD Ref.: FTBDBV-CS

