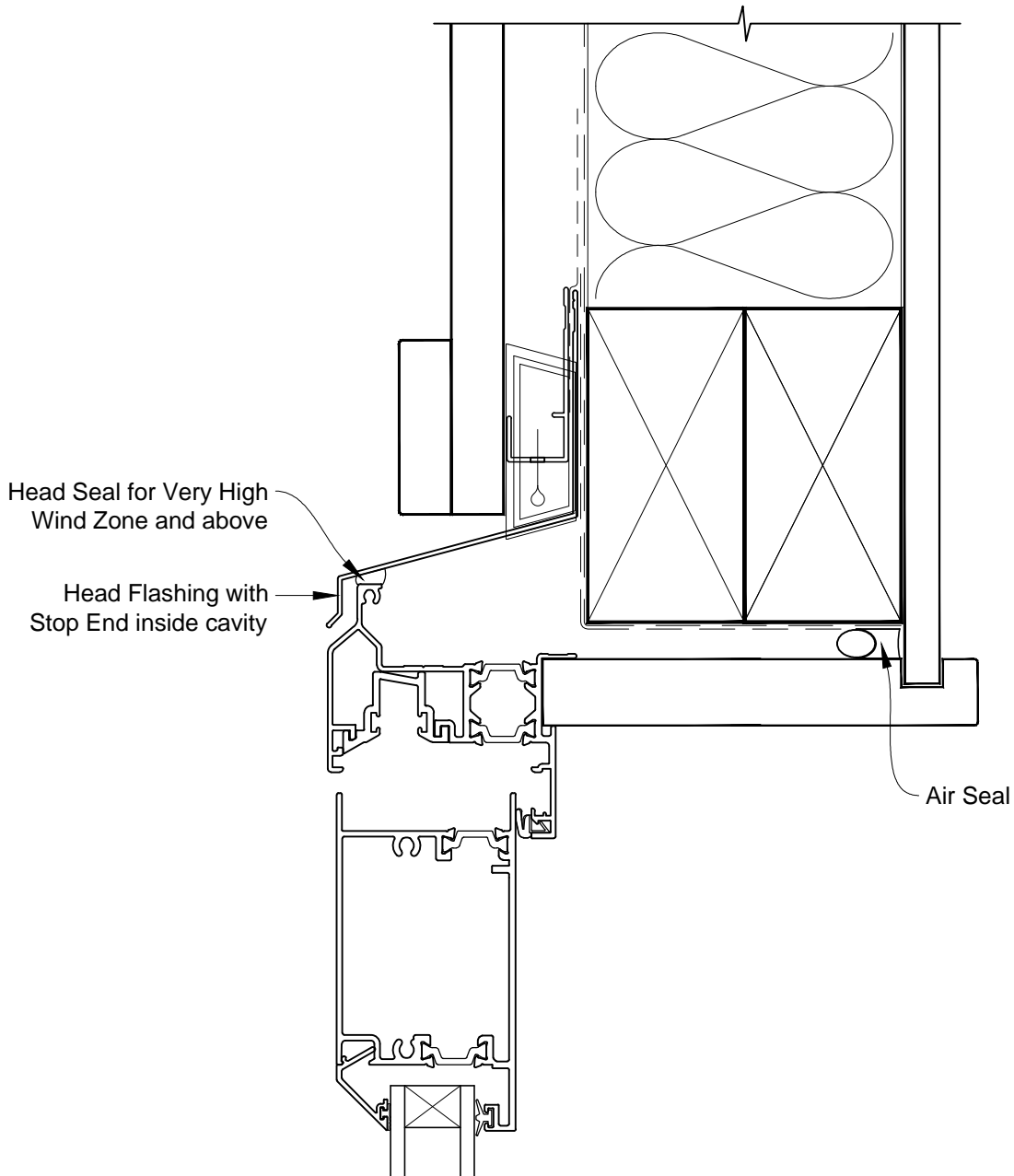


**INSTALLATION DETAIL - FIRST RESIDENTIAL THERMAL HEART  
BIFOLD DOOR OPEN OUT DOOR ON BOARD & BATTEN  
CAVITY CONSTRUCTION**

Date: 01.03.14

Scale: 1:2

CAD Ref.: FTBDBB-CH

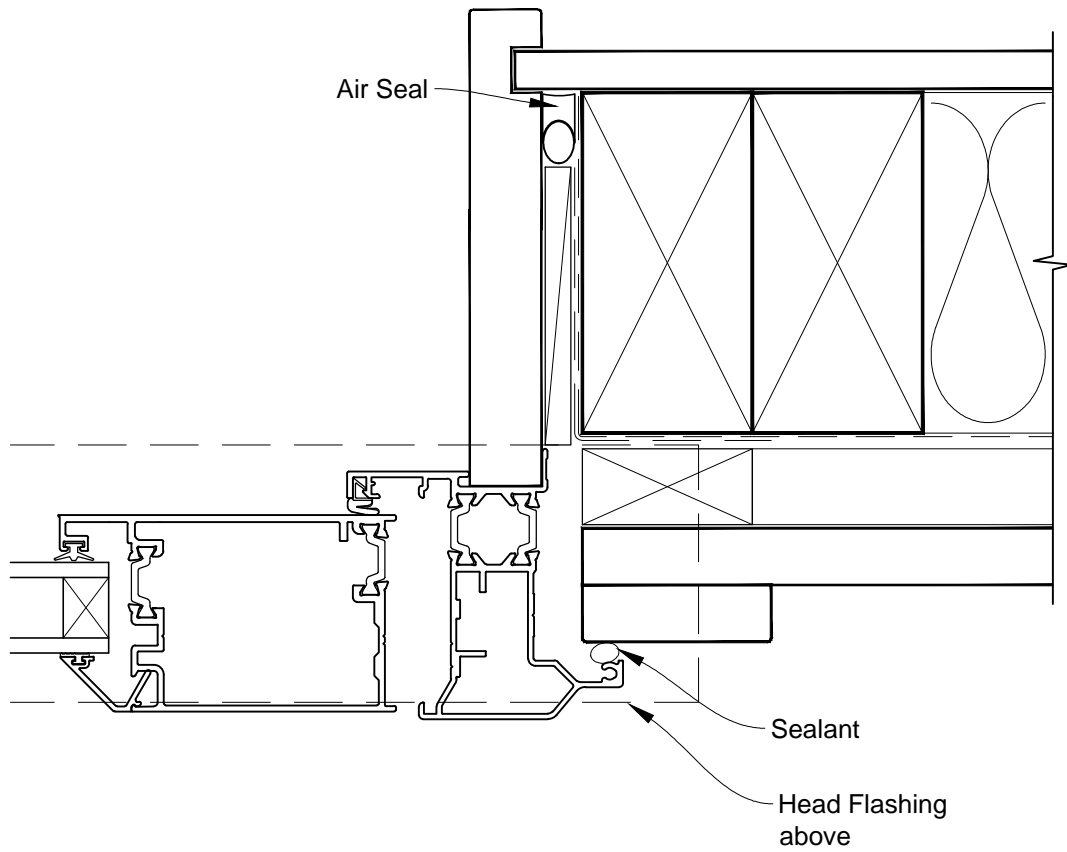


**INSTALLATION DETAIL - FIRST RESIDENTIAL THERMAL HEART  
BIFOLD DOOR OPEN OUT DOOR ON BOARD & BATTEN  
CAVITY CONSTRUCTION**

Date: 01.03.14

Scale: 1:2

CAD Ref.: FTBDBB-CJ

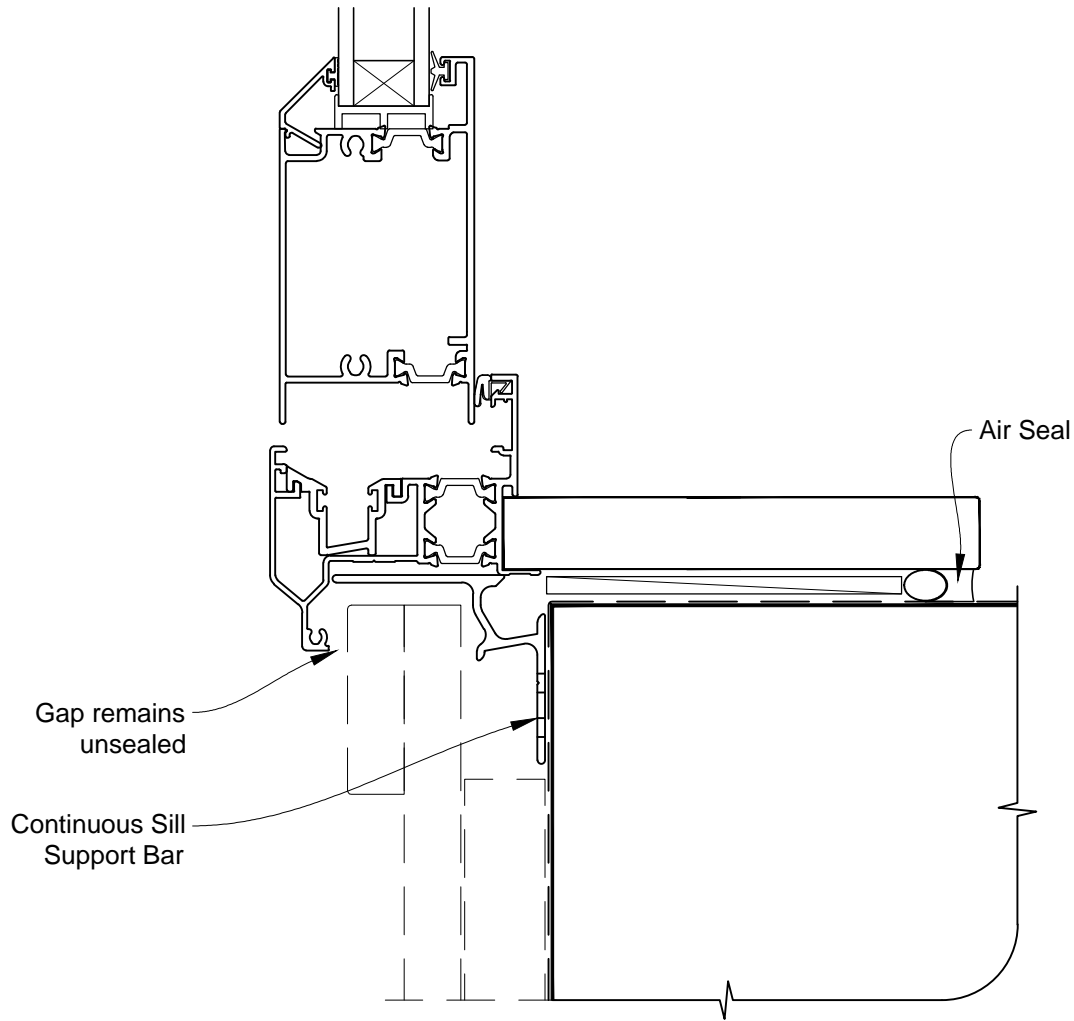


**INSTALLATION DETAIL - FIRST RESIDENTIAL THERMAL HEART  
BIFOLD DOOR OPEN OUT DOOR ON BOARD & BATTEN  
CAVITY CONSTRUCTION**

Date: 01.03.14

Scale: 1:2

CAD Ref.: FTBDBB-CS

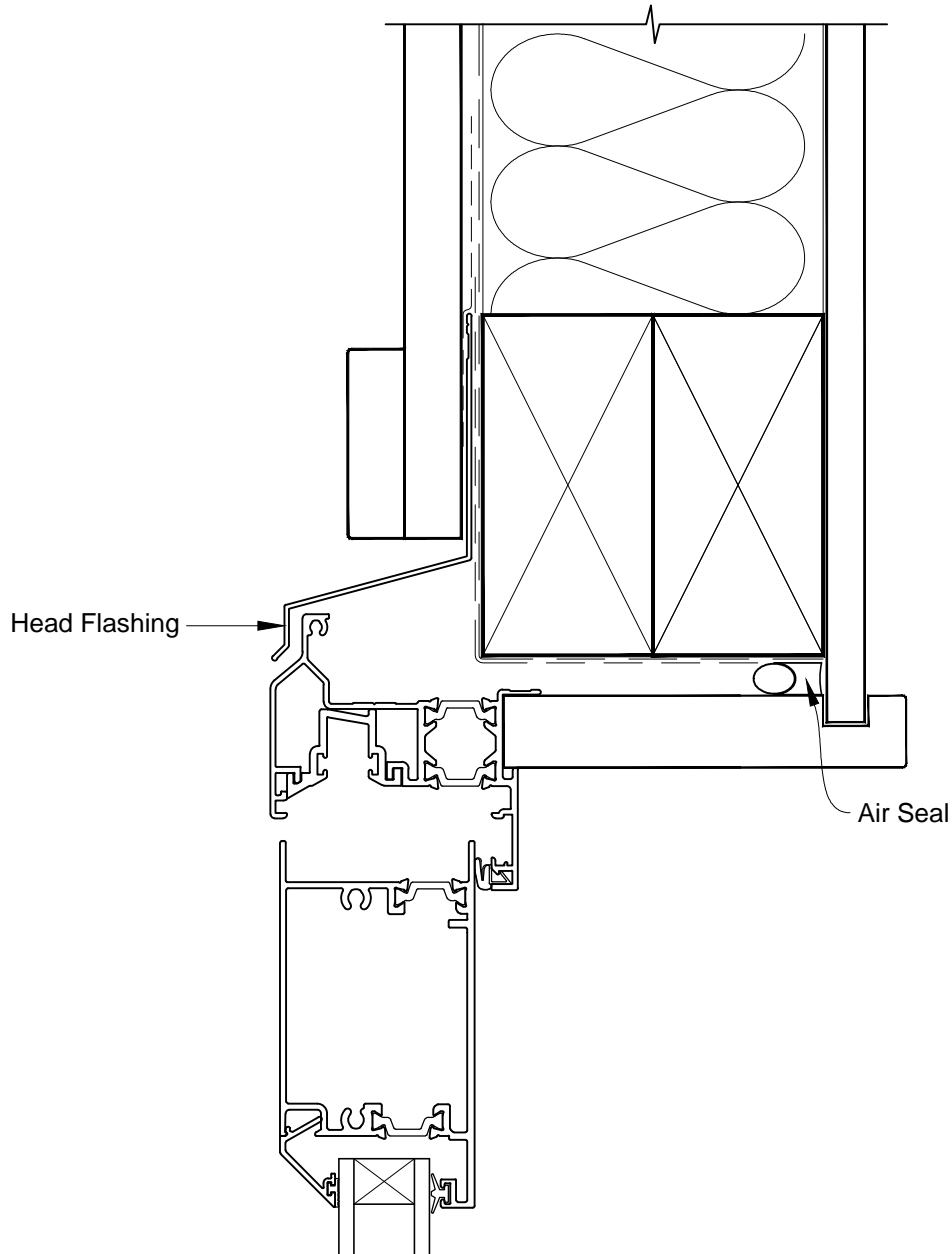


**INSTALLATION DETAIL - FIRST RESIDENTIAL THERMAL HEART  
BIFOLD DOOR OPEN OUT DOOR ON BOARD & BATTEN  
DIRECT FIXED CLADDING**

Date: 01.03.14

Scale: 1:2

CAD Ref.: FTBDBB-DH

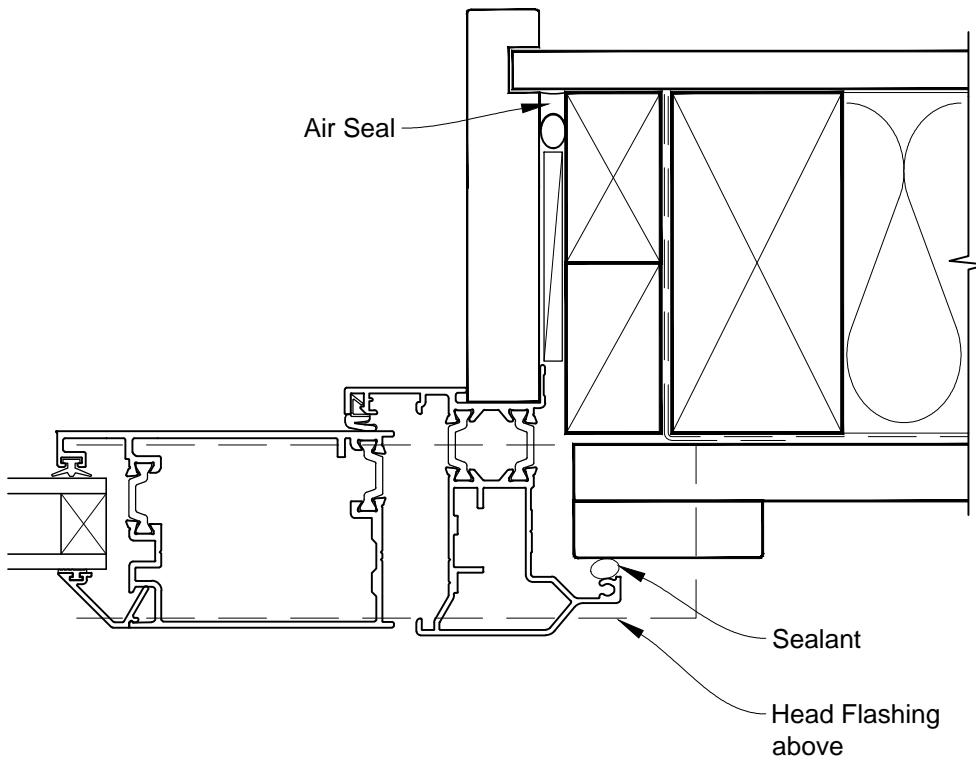


**INSTALLATION DETAIL - FIRST RESIDENTIAL THERMAL HEART  
BIFOLD DOOR OPEN OUT DOOR ON BOARD & BATTEN  
DIRECT FIXED CLADDING**

Date: 01.03.14

Scale: 1:2

CAD Ref.: FTBDBB-DJ



**INSTALLATION DETAIL - FIRST RESIDENTIAL THERMAL HEART  
BIFOLD DOOR OPEN OUT DOOR ON BOARD & BATTEN  
DIRECT FIXED CLADDING**

Date: 01.03.14

Scale: 1:2

CAD Ref.: FTBDBB-DS

